



US00D769247S

(12) **United States Design Patent** (10) **Patent No.:** **US D769,247 S**
Heyen (45) **Date of Patent:** **** Oct. 18, 2016**

(54) **SUPPORT**

(71) Applicant: **André Heyen**, Troisvierges (LU)

(72) Inventor: **André Heyen**, Troisvierges (LU)

(73) Assignee: **NewConcepts S.à r.l. & Co, s.e.c.s.**,
Weiswampach (LU)

(**) Term: **14 Years**

(21) Appl. No.: **29/502,281**

(22) Filed: **Sep. 12, 2014**

(30) **Foreign Application Priority Data**

Mar. 12, 2014 (WO) 800010001

(51) **LOC (10) Cl.** **08-07**

(52) **U.S. Cl.**
USPC **D14/447**

(58) **Field of Classification Search**

USPC D14/447, 451, 452, 439, 440, 432, 457,
D14/460, 461, 217, 239, 251, 253;
D6/406.3, 406.4, 406.5, 406.6;
248/460, 917-924, 150, 176.1, 177.1,
248/181.1, 188.7; 361/679.02, 679.06,
361/679.07, 679.09, 679.21, 679.22,
361/679.26, 679.27, 679.3, 679.55, 679.56;
D8/363, 373, 380

CPC F16M 2200/00; F16M 13/00; A45C
2011/003; A45C 2011/002; A47B 2023/049;
A47B 2097/005; A47B 2097/006; A47B
21/04

See application file for complete search history.

(56) **References Cited**

U.S. PATENT DOCUMENTS

D281,555 S * 12/1985 Levy D6/406.6
D319,358 S * 8/1991 Giugiaro D6/406.6

(Continued)

Primary Examiner — Angela J Lee

(74) *Attorney, Agent, or Firm* — Hedman & Costigan,
P.C.; James V. Costigan; Kathleen A. Costigan

(57) **CLAIM**

The ornamental design for a support, as shown and described.

DESCRIPTION

FIG. 1 left side perspective of a support showing my new design, the right side perspective view being the mirror image thereof with the addition of a second smaller top work surface element;

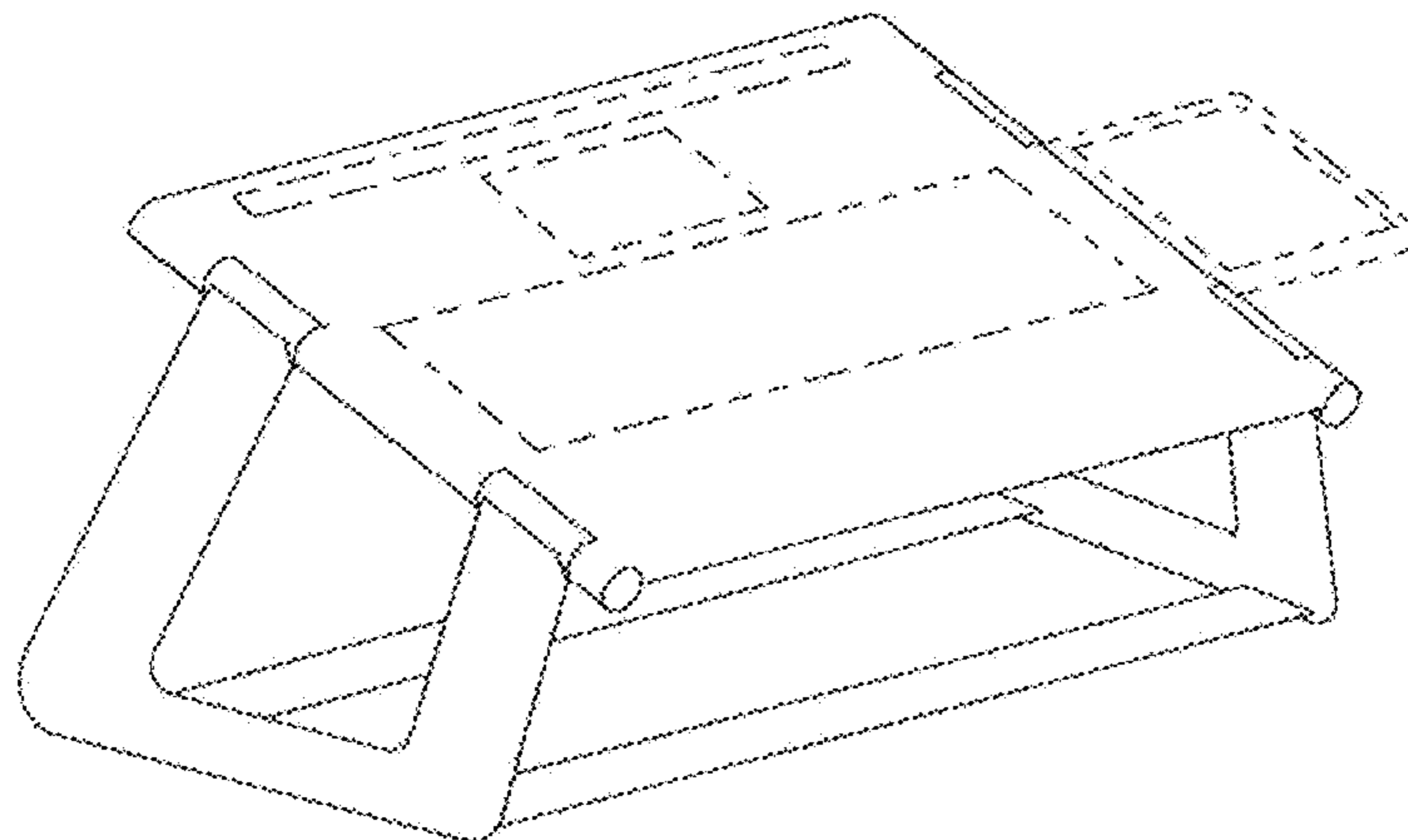
FIG. 2 is bottom right perspective of the support of FIG. 1, shown with the support structures in a folded position, the left perspective view being the mirror image thereof, without the addition of a second, smaller top work surface element; FIG. 3 is a left side perspective view of a second embodiment of a support, the right side perspective view being the mirror image thereof, with the addition of a second smaller top work surface element; with the support structures in a folded position, the bottom perspective view of the embodiment shown in FIG. 3 being identical to that shown in FIG. 2;

FIG. 4 is a left side perspective view of a third embodiment of a support, the right side perspective view being the mirror image thereof, with the addition of a second smaller top work surface element; with the support structures in a folded position, the bottom perspective view of the embodiment shown in FIG. 4 being identical to that shown in FIG. 2; FIG. 5 is a left side perspective view of a fourth embodiment of a support, the right side perspective view being the mirror image thereof; and,

FIG. 6 is a left side perspective view of a fifth embodiment of a support.

The broken lines shown in the drawings represent portions of the support that form no part of the claimed design.

1 Claim, 6 Drawing Sheets



(56)

References Cited

U.S. PATENT DOCUMENTS

D360,776 S * 8/1995 Blue D6/406.6
D385,126 S * 10/1997 Howland et al. D6/406.6
D390,718 S * 2/1998 Howland et al. D6/406.6
D410,910 S * 6/1999 Martell D14/457

D428,729 S * 8/2000 Weitzman et al. D6/406.6
D551,876 S * 10/2007 Gusdorf et al. D6/406.6
D557,266 S * 12/2007 Hughes D14/451
D619,822 S * 7/2010 Damgaard-Sorensen .. D6/406.1
D624,922 S * 10/2010 Hui et al. D14/447
8,322,290 B1 * 12/2012 Mignano 108/9
D705,785 S * 5/2014 Wang D14/447

* cited by examiner

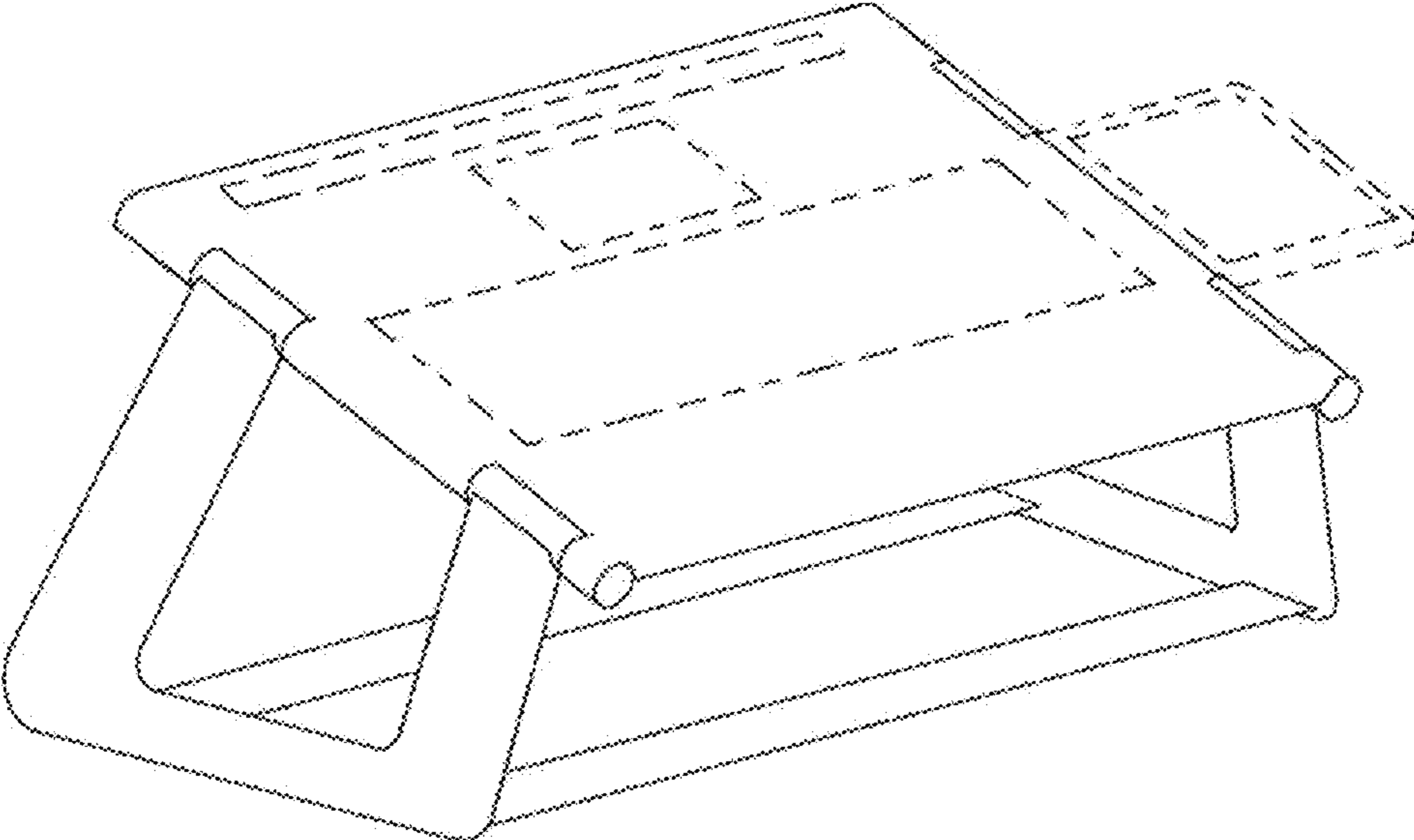


FIG. 1

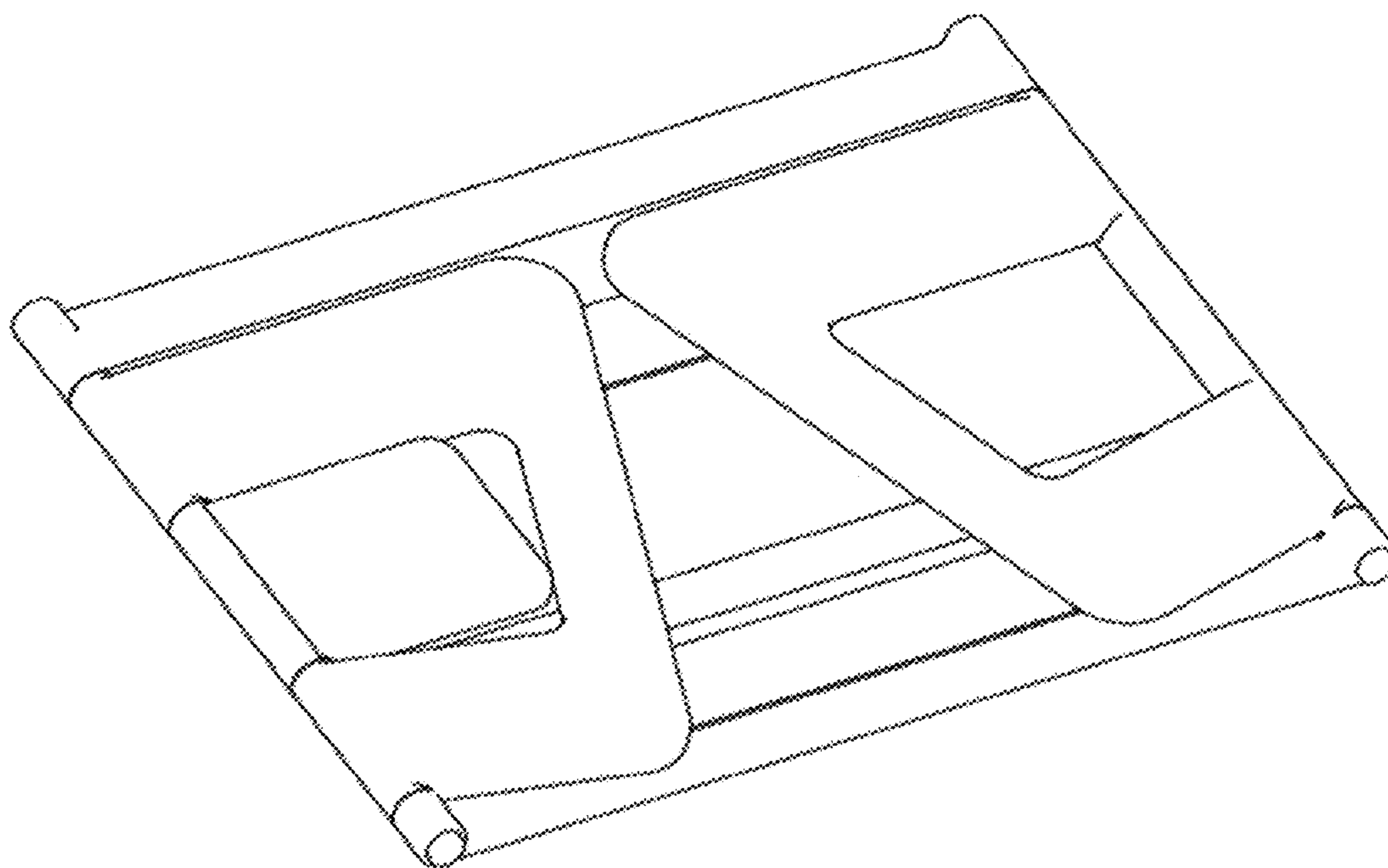


FIG. 2

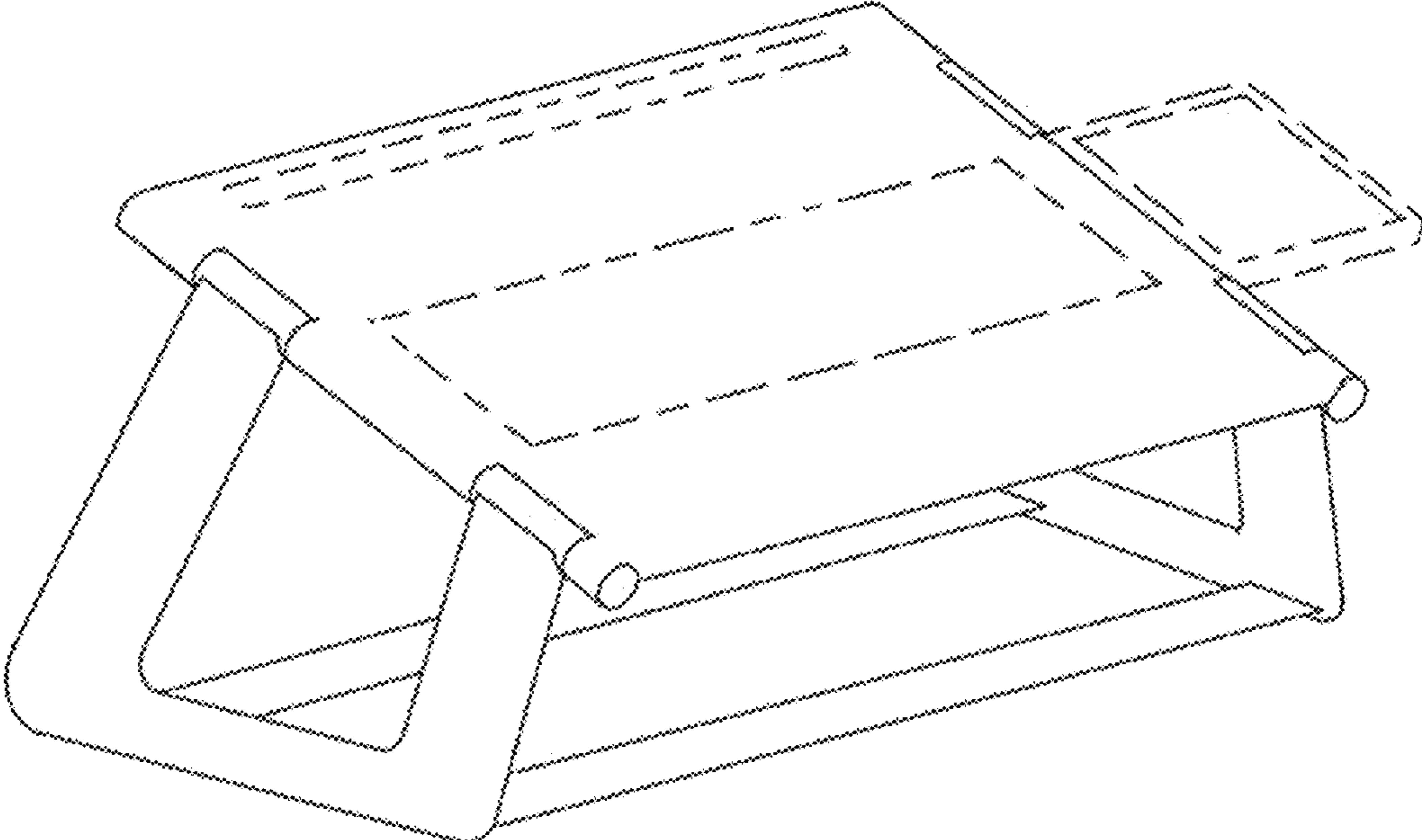


FIG. 3

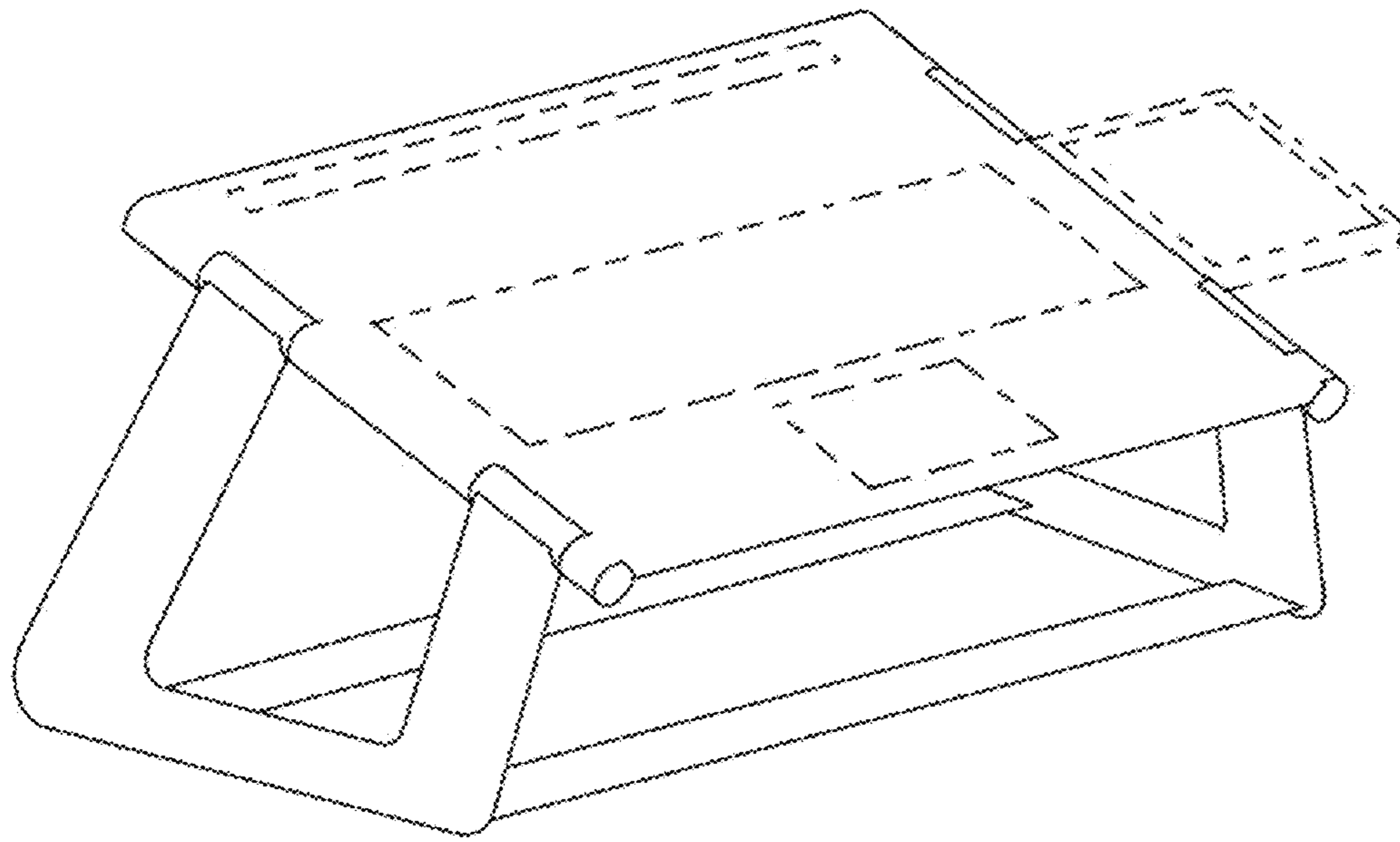


FIG. 4

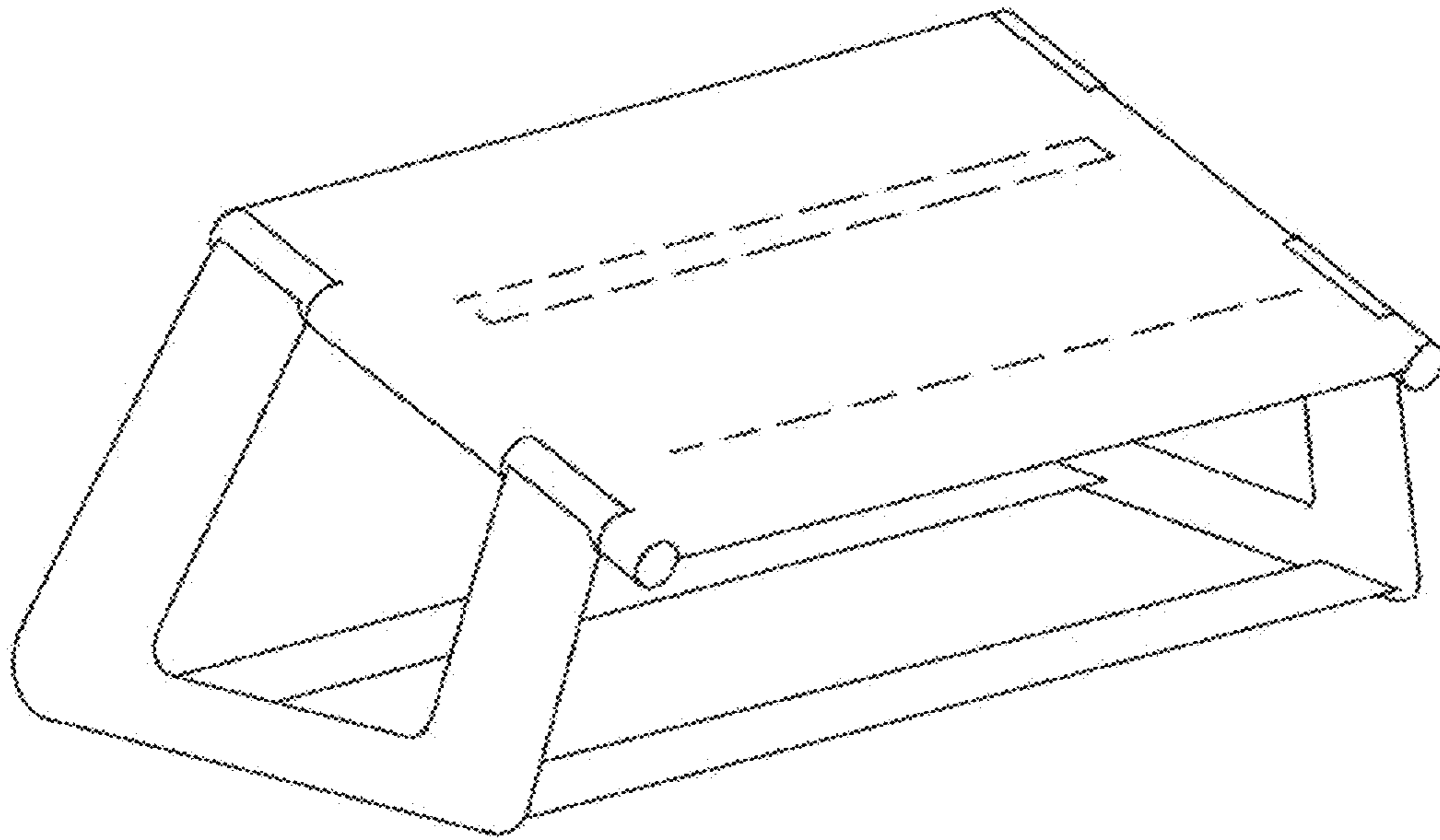


FIG. 5

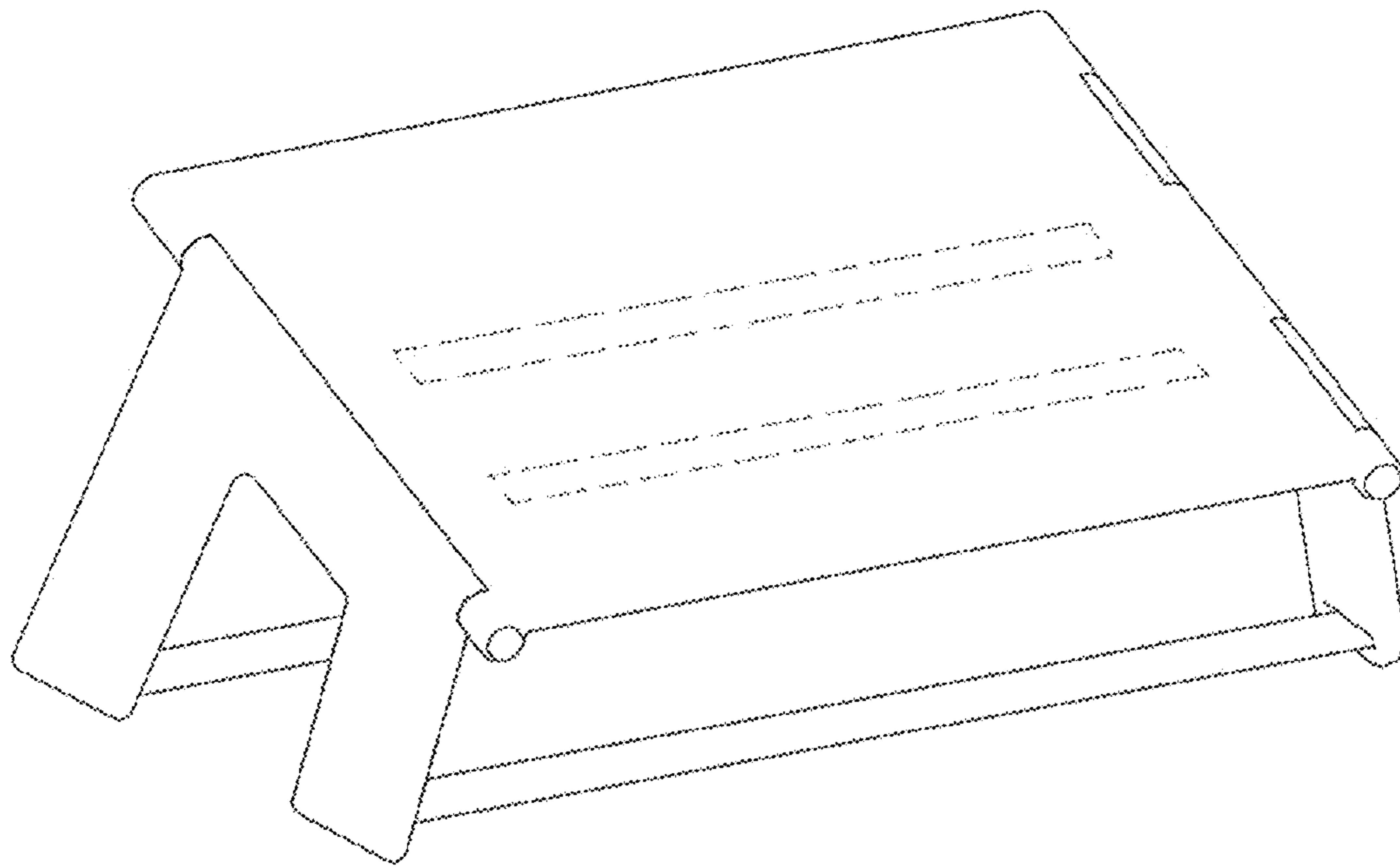


FIG. 6