



US00D769243S

(12) **United States Design Patent**
Wu

(10) **Patent No.:** **US D769,243 S**
(45) **Date of Patent:** **** Oct. 18, 2016**

(54) **DISPLAY DEVICE**

(71) Applicant: **Lenovo (Beijing) Co., Ltd.**, Beijing (CN)

(72) Inventor: **Guanghao Wu**, Beijing (CN)

(73) Assignee: **Lenovo (Beijing) Co., Ltd.**, Beijing (CN)

(**) Term: **14 Years**

(21) Appl. No.: **29/519,142**

(22) Filed: **Mar. 2, 2015**

(30) **Foreign Application Priority Data**

Sep. 2, 2014 (CN) 2014 3 0322672

(51) **LOC (10) Cl.** **14-02**

(52) **U.S. Cl.**
USPC **D14/374**

(58) **Field of Classification Search**

USPC D14/371-375, 125-129, 336, 337, 341;
341/12; 345/104, 156, 168, 173;
348/180, 184, 325, 739; 349/1, 2, 11,
349/62; 361/679.05-679.07, 679.21;
D6/300, 308

CPC G06F 1/16; G06F 1/1601; G06F 3/037;
G06F 1/162; F16M 11/02; F16M 11/10;
F16M 11/00; F16M 11/06; F16M 11/18

See application file for complete search history.

(56) **References Cited**

U.S. PATENT DOCUMENTS

6,837,469 B2* 1/2005 Wu F16M 11/06
248/278.1
7,280,665 B2* 10/2007 Tamura H04N 5/642
348/E5.13
D599,755 S * 9/2009 Jin D14/126

D667,806 S * 9/2012 Asanuma D14/126
D671,083 S * 11/2012 Kim D14/126
D692,425 S * 10/2013 Kubota D14/374
D704,709 S * 5/2014 Bussoli D14/128
D715,241 S * 10/2014 Jang D14/126
2003/0058372 A1* 3/2003 Williams F16M 11/18
348/836

* cited by examiner

Primary Examiner — Freda S Nunn

(74) *Attorney, Agent, or Firm* — Oppedahl Patent Law Firm LLC

(57) **CLAIM**

The ornamental design for a display device, as shown and described.

DESCRIPTION

FIG. 1 is a front view of a display device wherein the broken lines are shown for environment only and form no part of the claimed design;

FIG. 2 is a rear view thereof;

FIG. 3 is a left side view thereof;

FIG. 4 is an enlarged detailed section thereof as indicated in FIG. 3;

FIG. 5 is a right side view thereof;

FIG. 6 is top view thereof;

FIG. 7 is an enlarged detailed section thereof as indicated in FIG. 6;

FIG. 8 is a bottom view thereof;

FIG. 9 is a front right perspective view thereof;

FIG. 10 is an enlarged detailed section thereof as indicated in FIG. 9;

FIG. 11 is a front right perspective view of thereof;

FIG. 12 is an enlarged detailed section thereof as indicated in FIG. 11;

FIG. 13 is a front right perspective view thereof; and,

FIG. 14 is an enlarged detailed section thereof as indicated in FIG. 13.

1 Claim, 9 Drawing Sheets

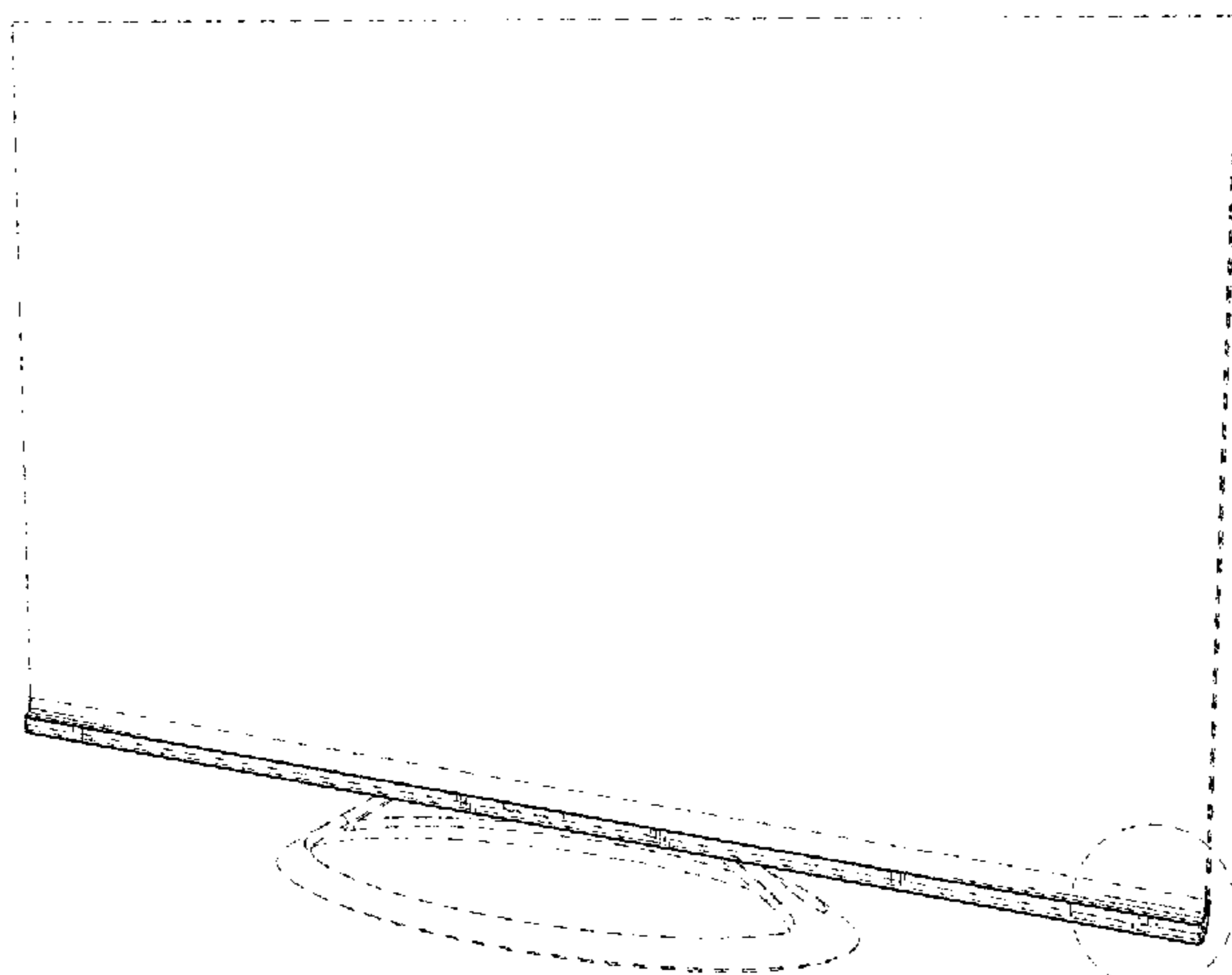
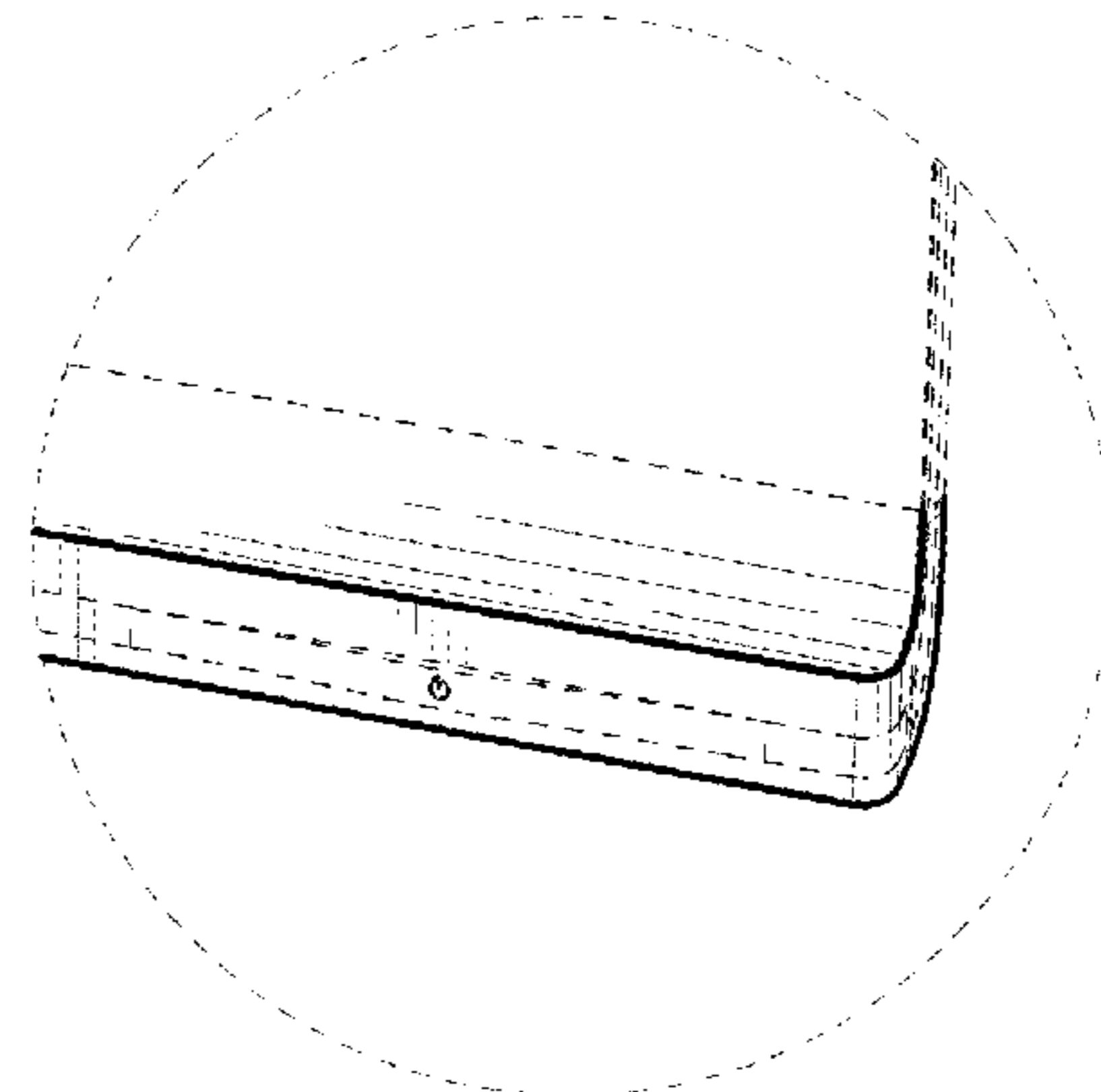


FIG. 10



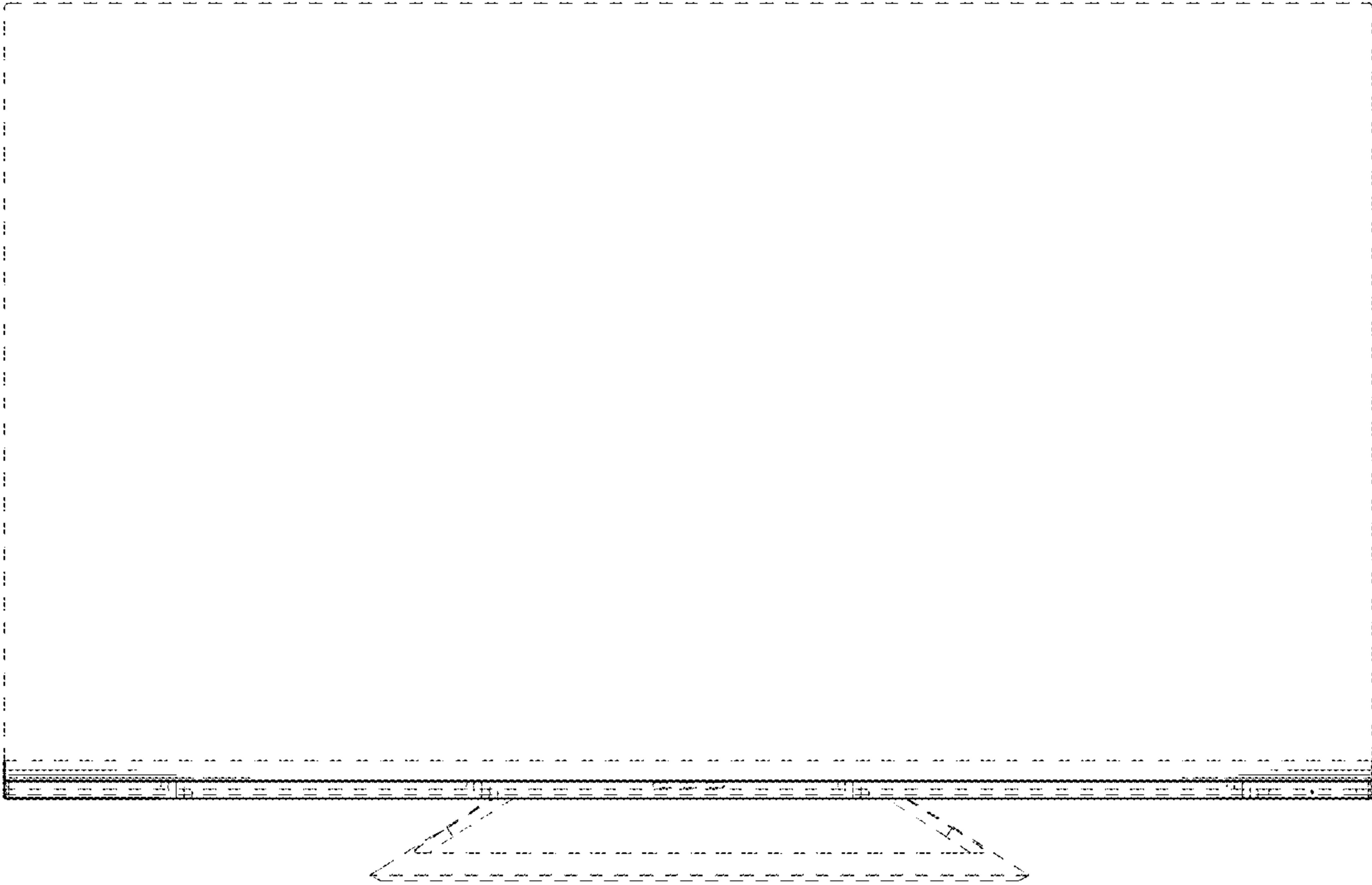


FIG. 1

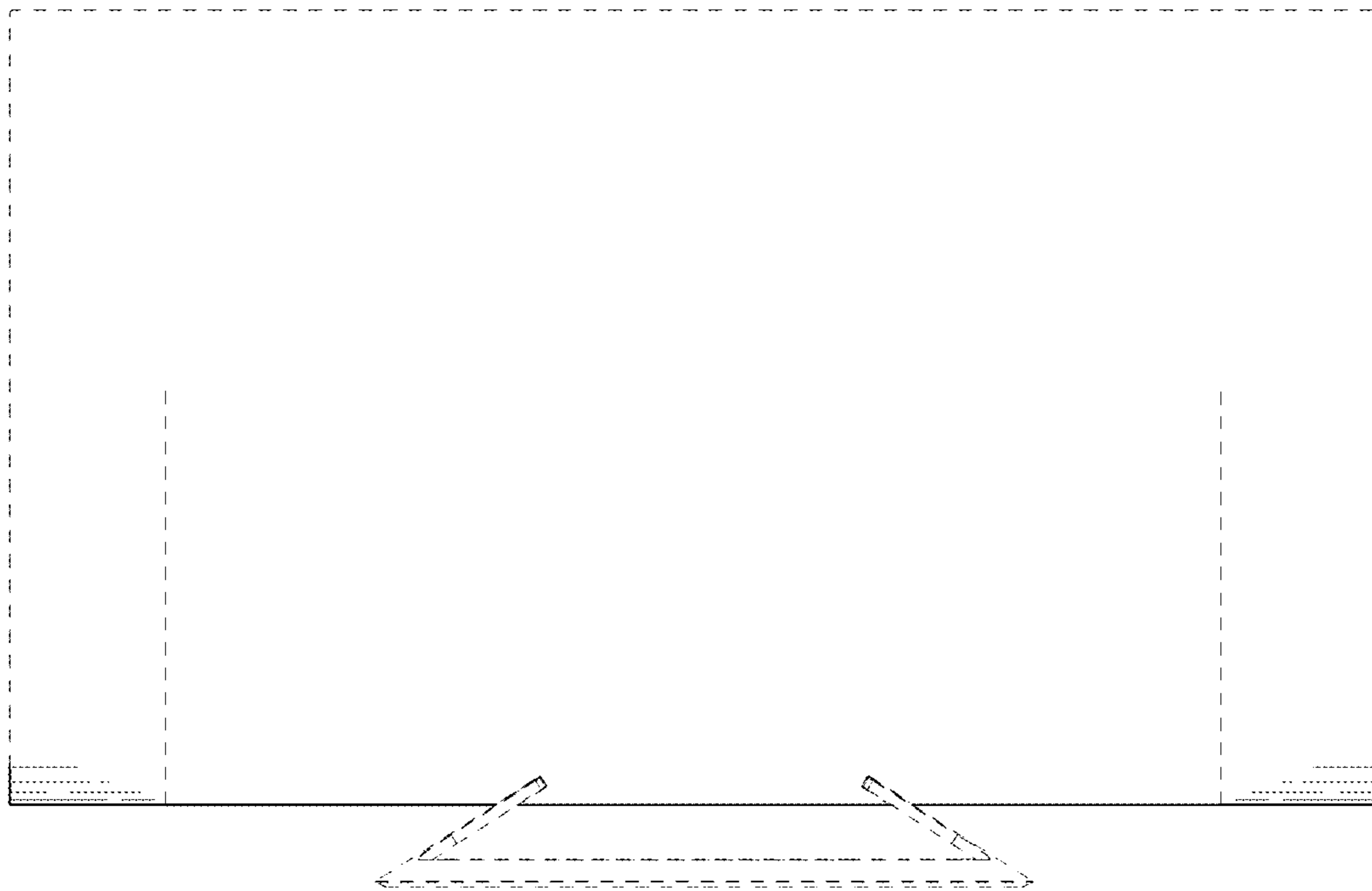


FIG. 2

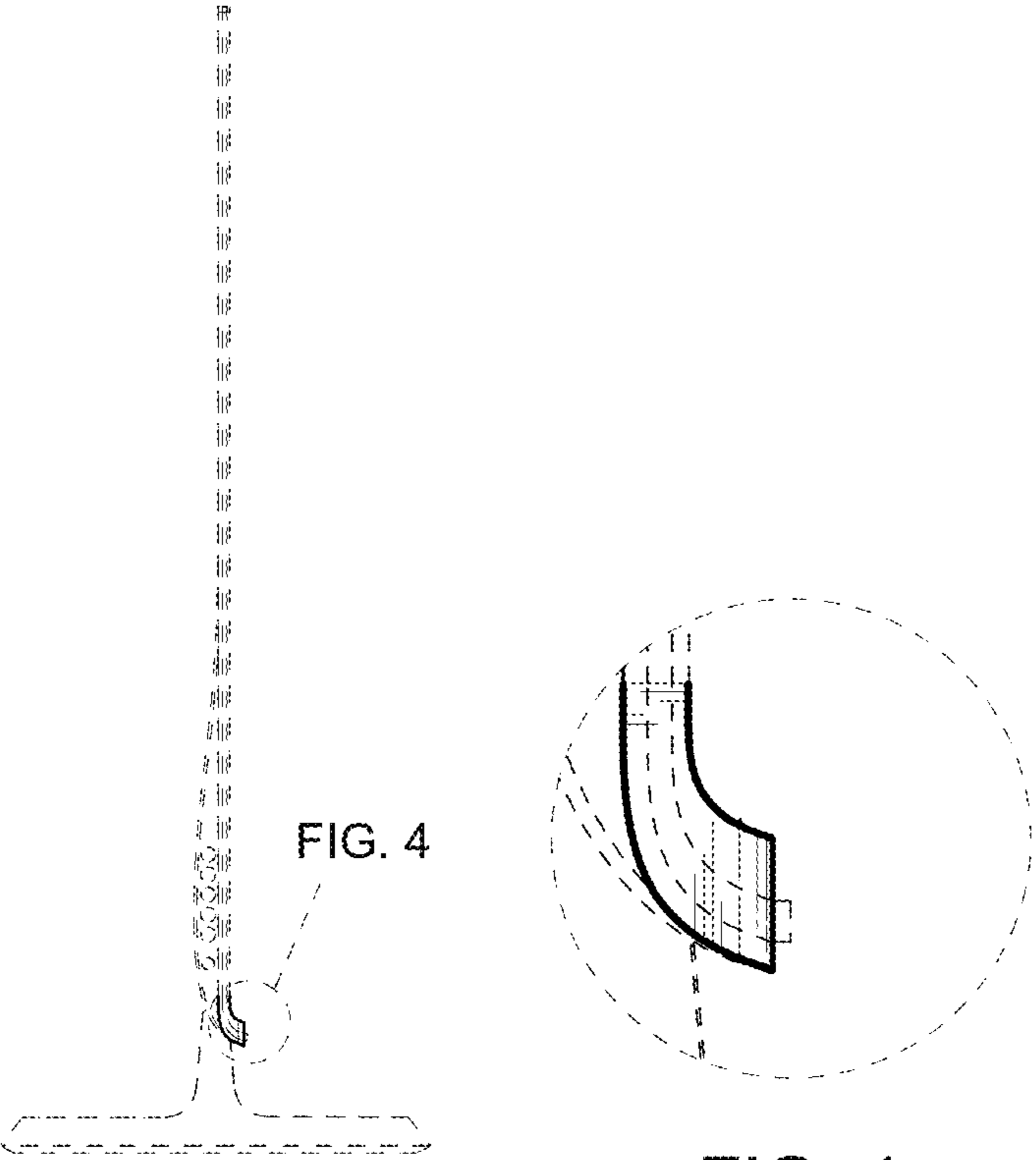


FIG. 4

FIG. 4

FIG. 3

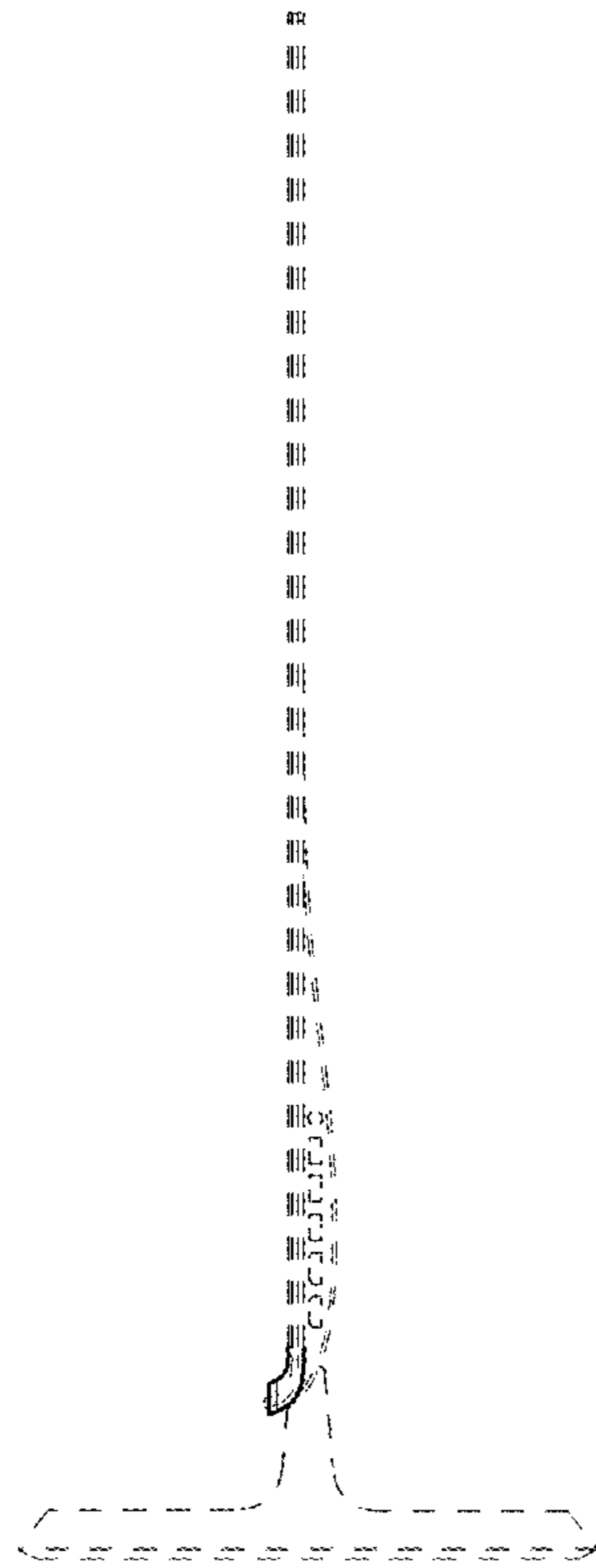


FIG. 5

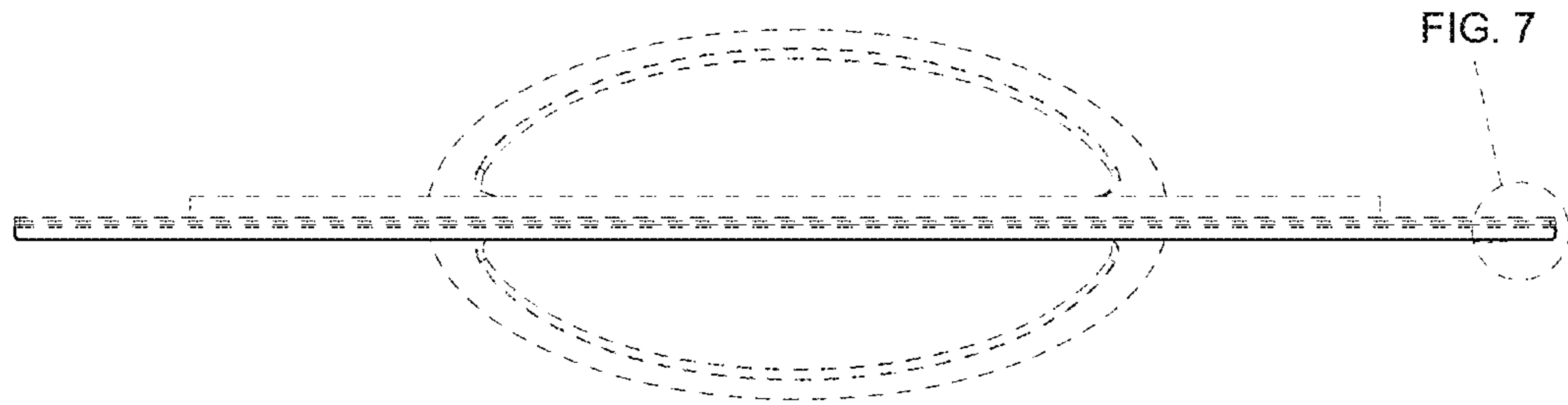


FIG. 6

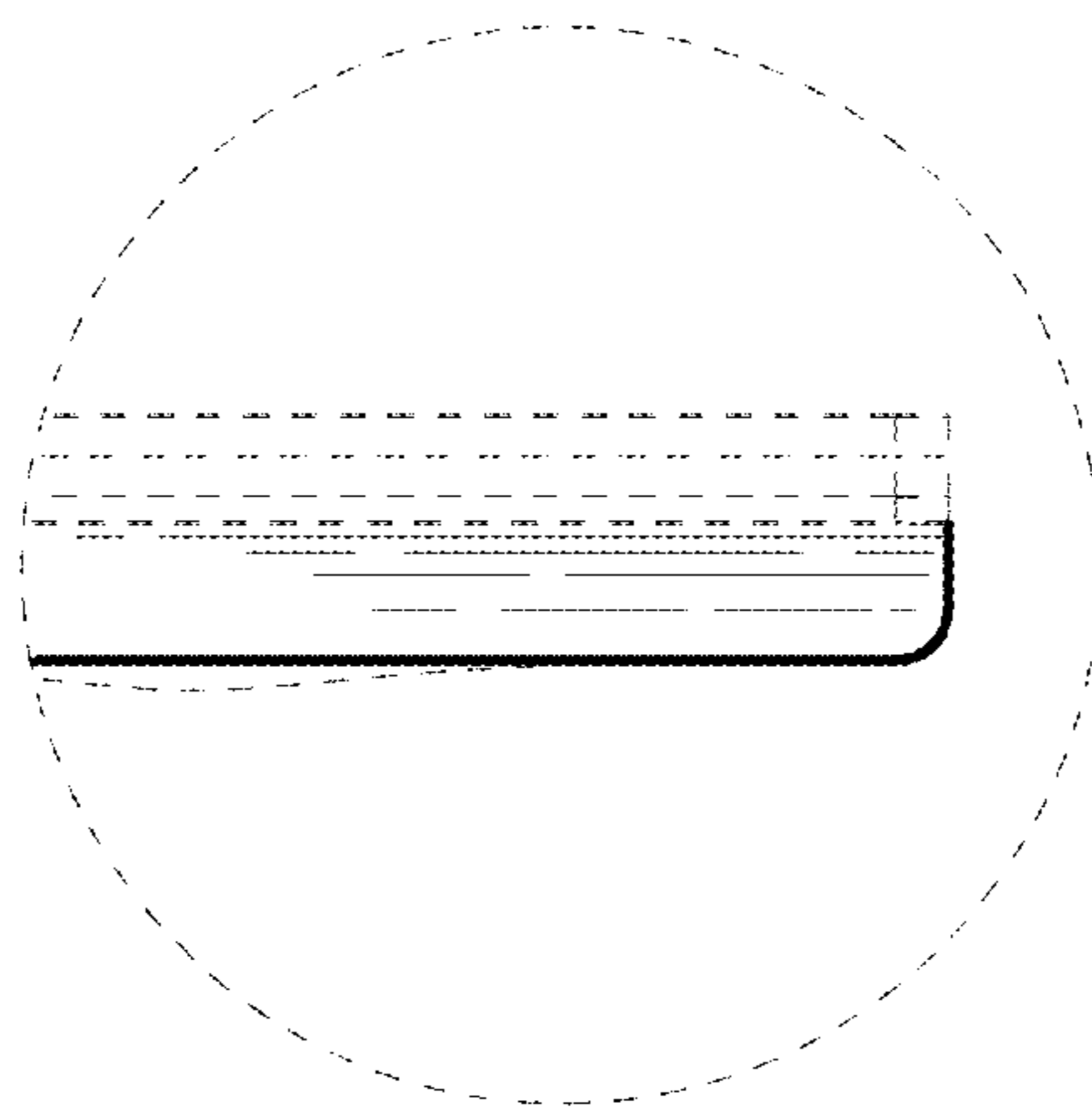


FIG. 7

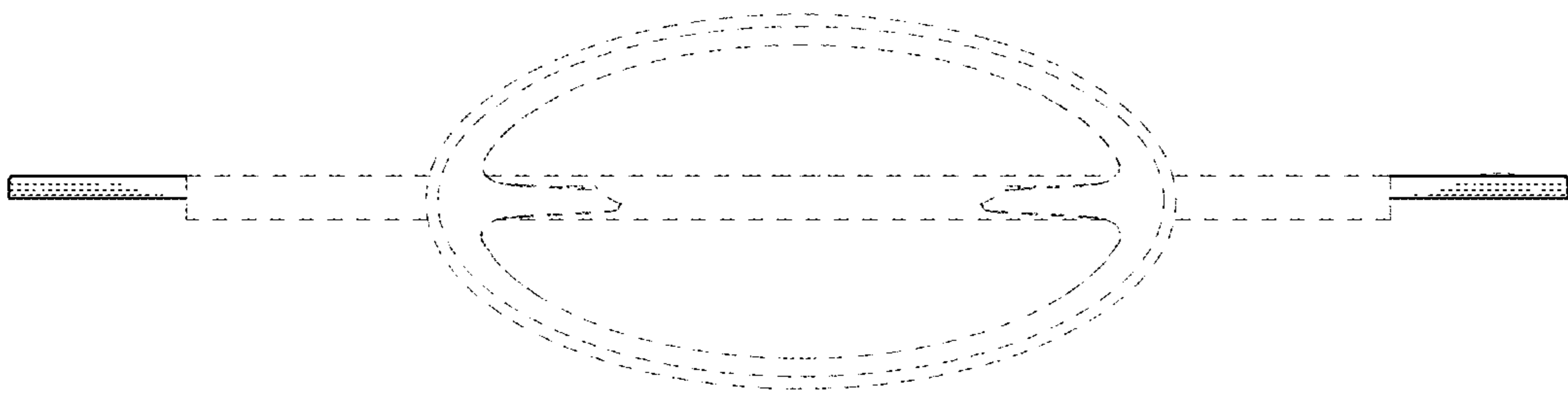


FIG. 8

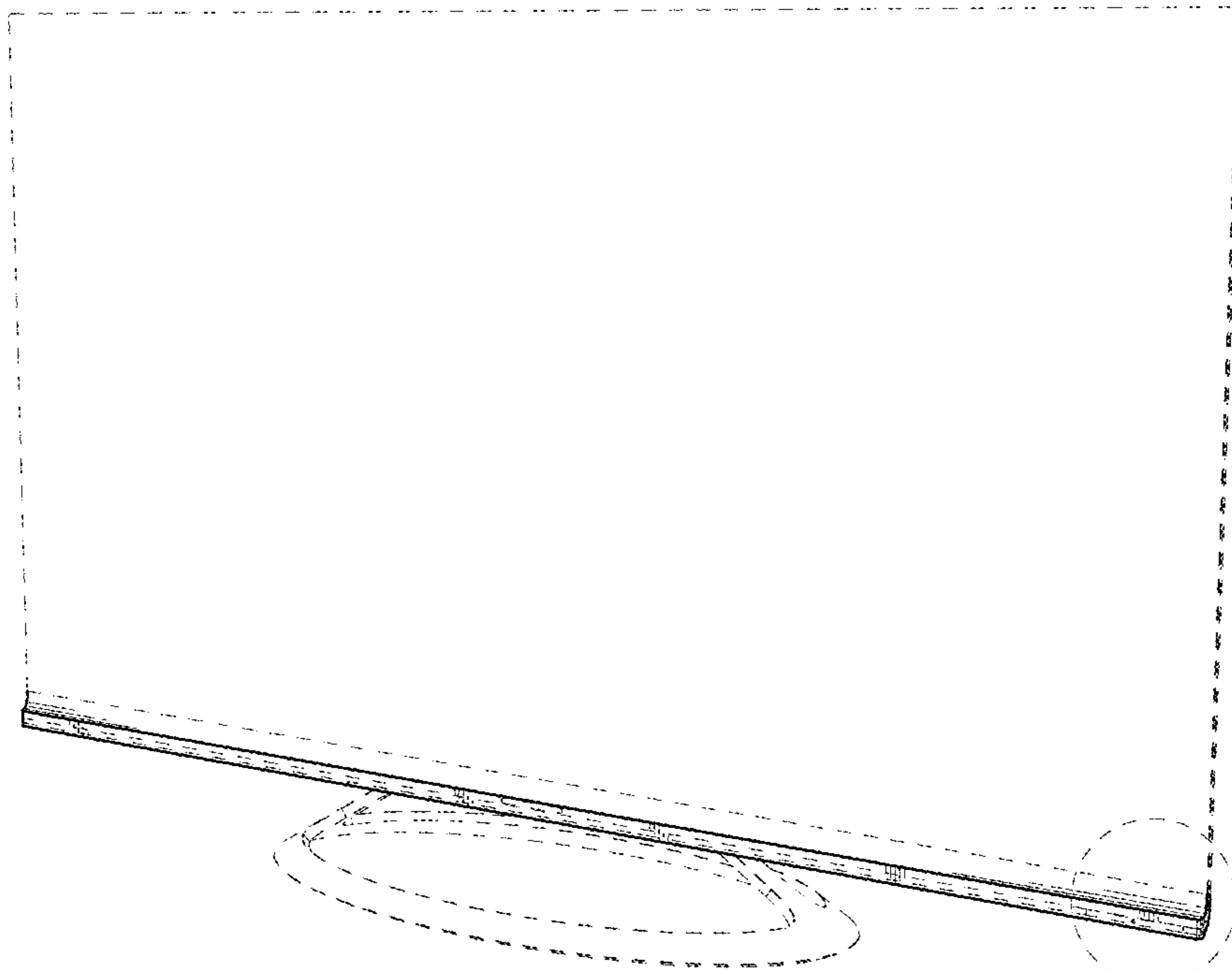


FIG. 9

FIG. 10

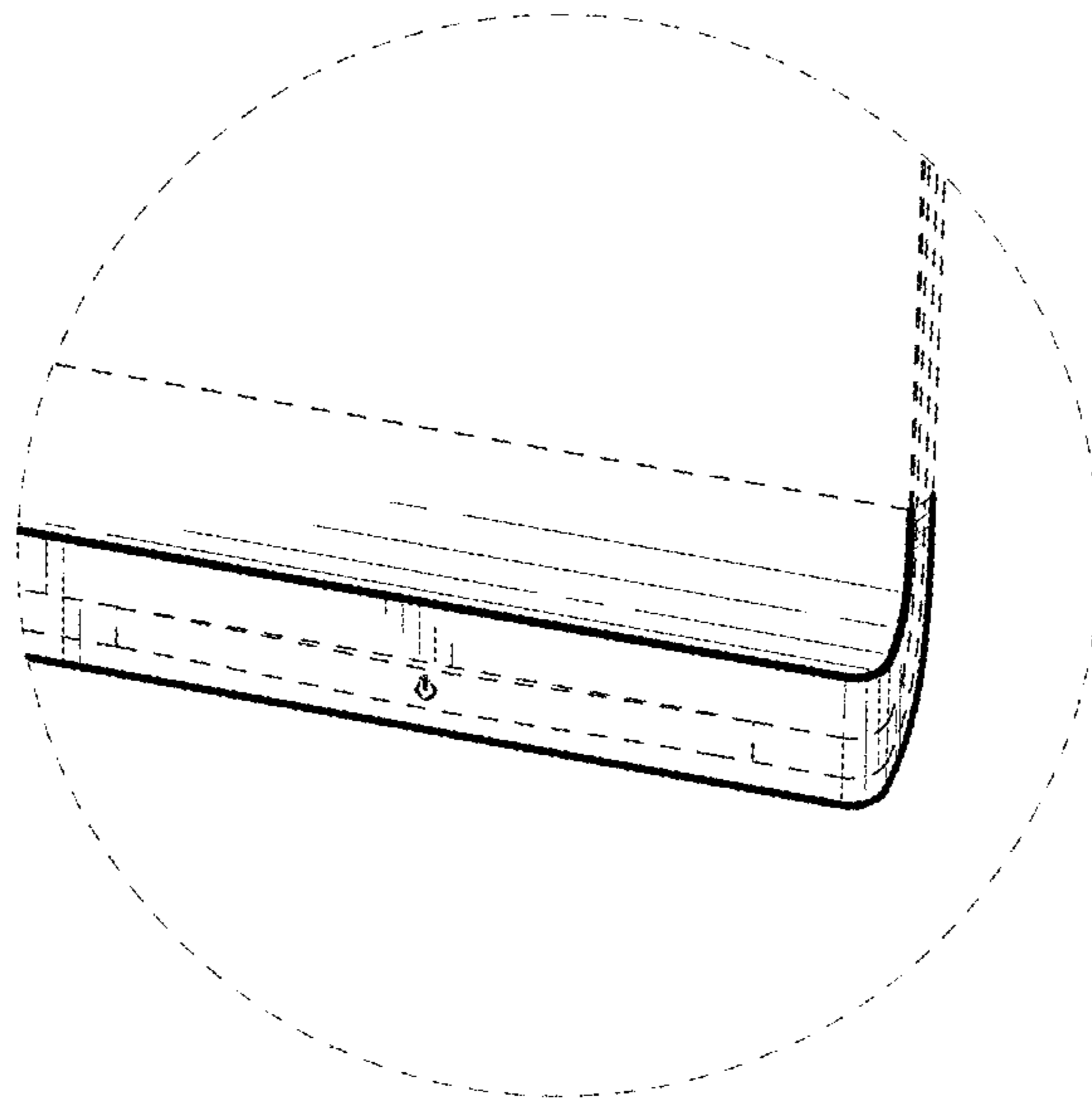


FIG. 10

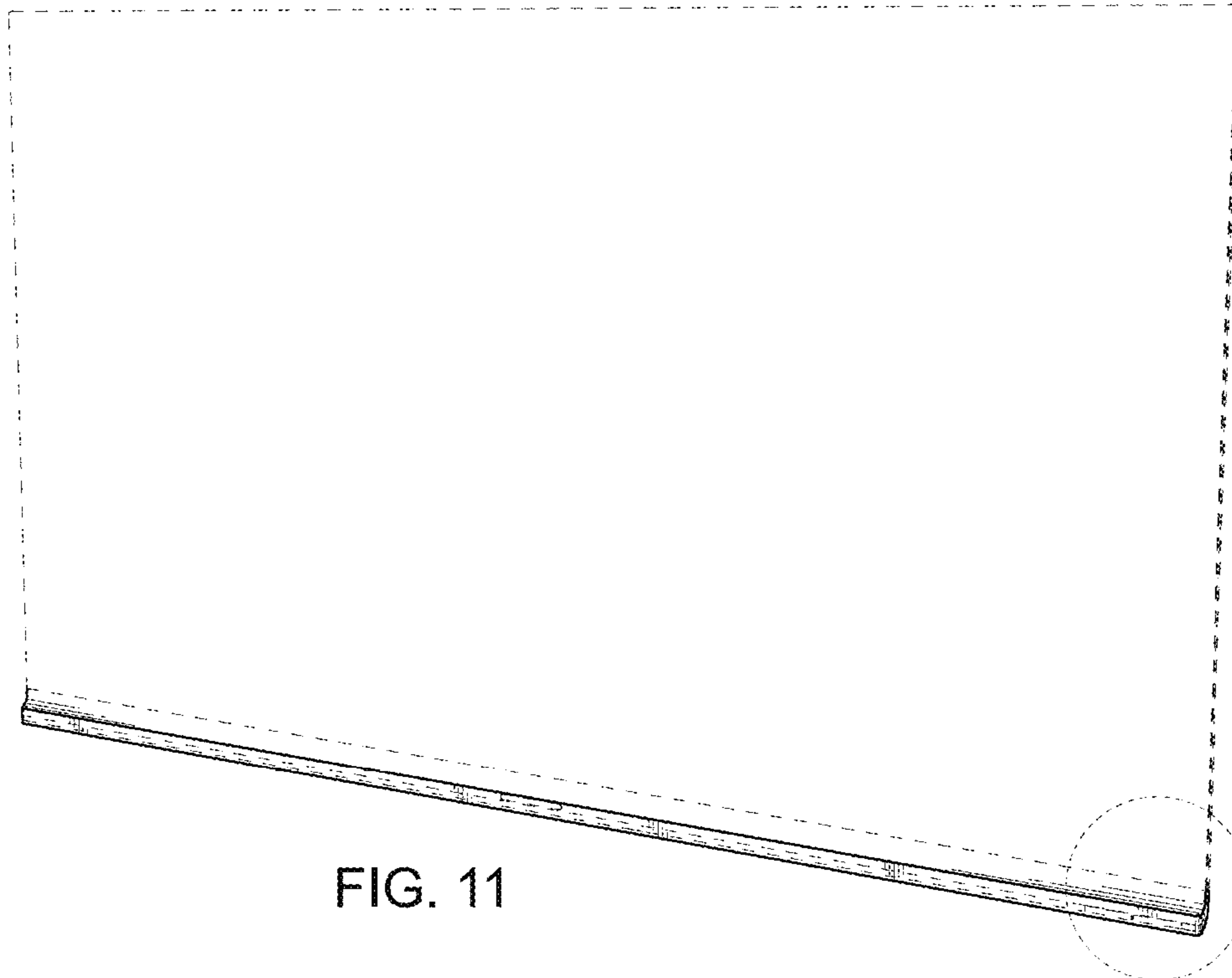


FIG. 11

FIG. 12

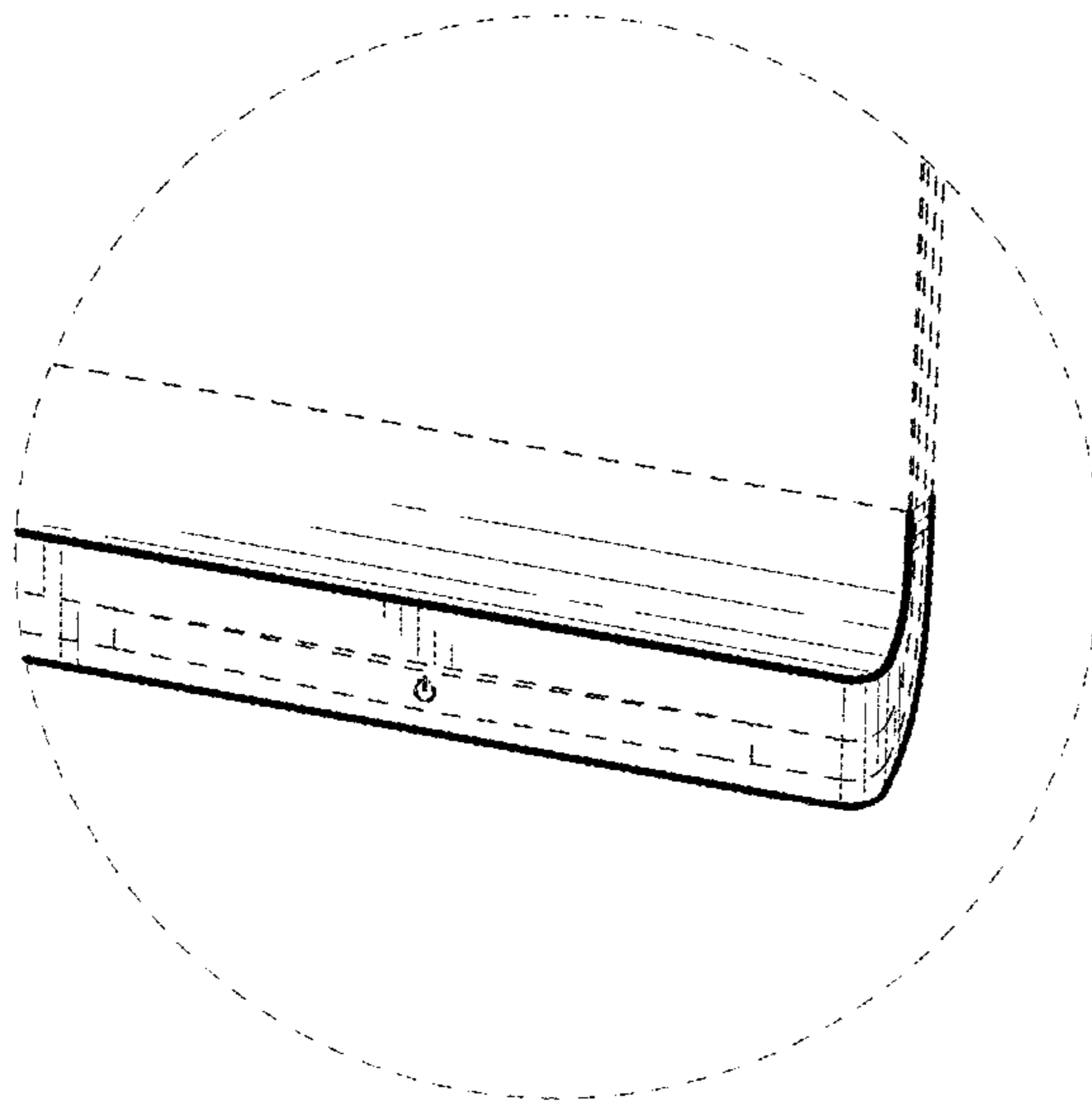


FIG. 12

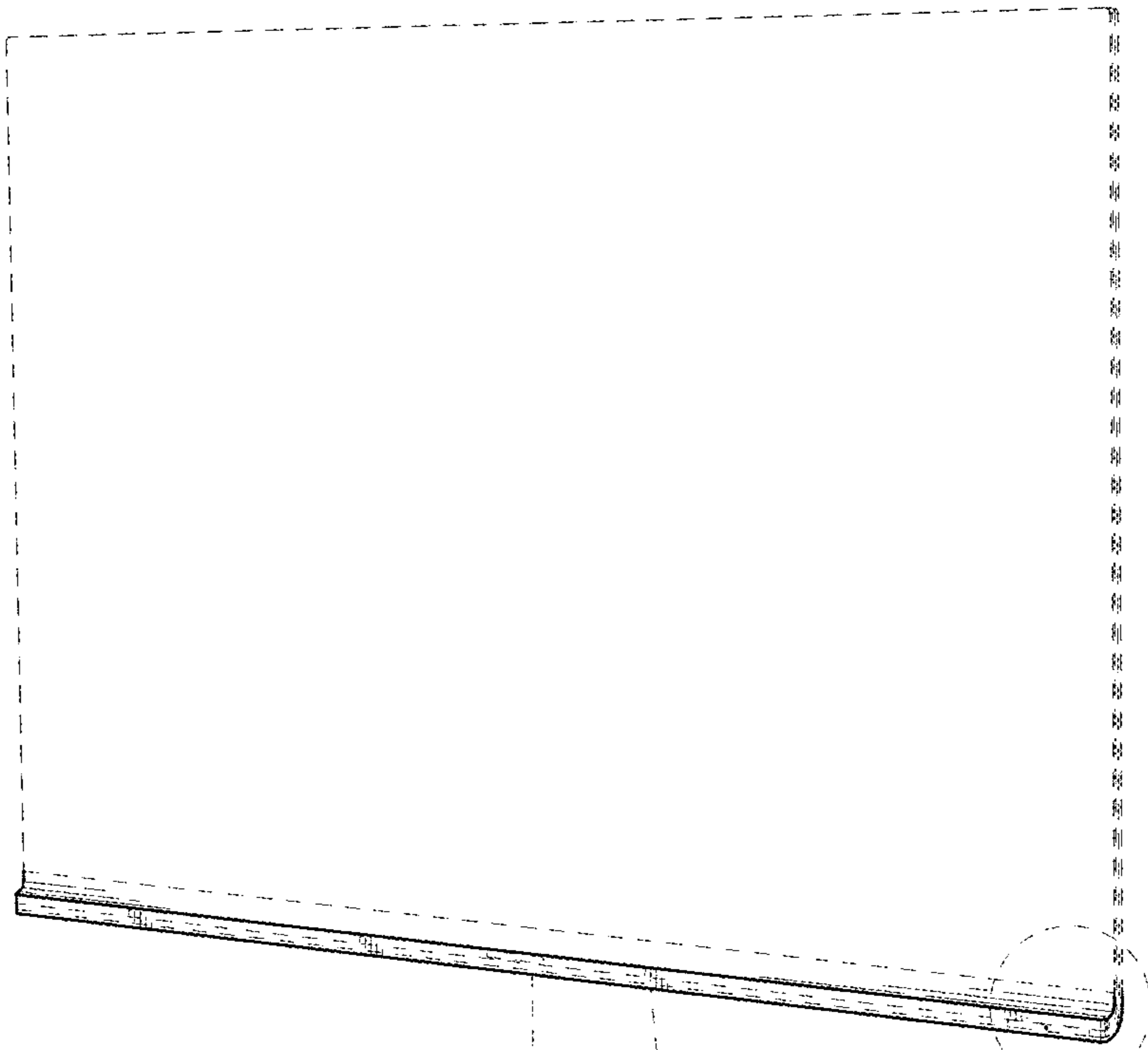


FIG. 14

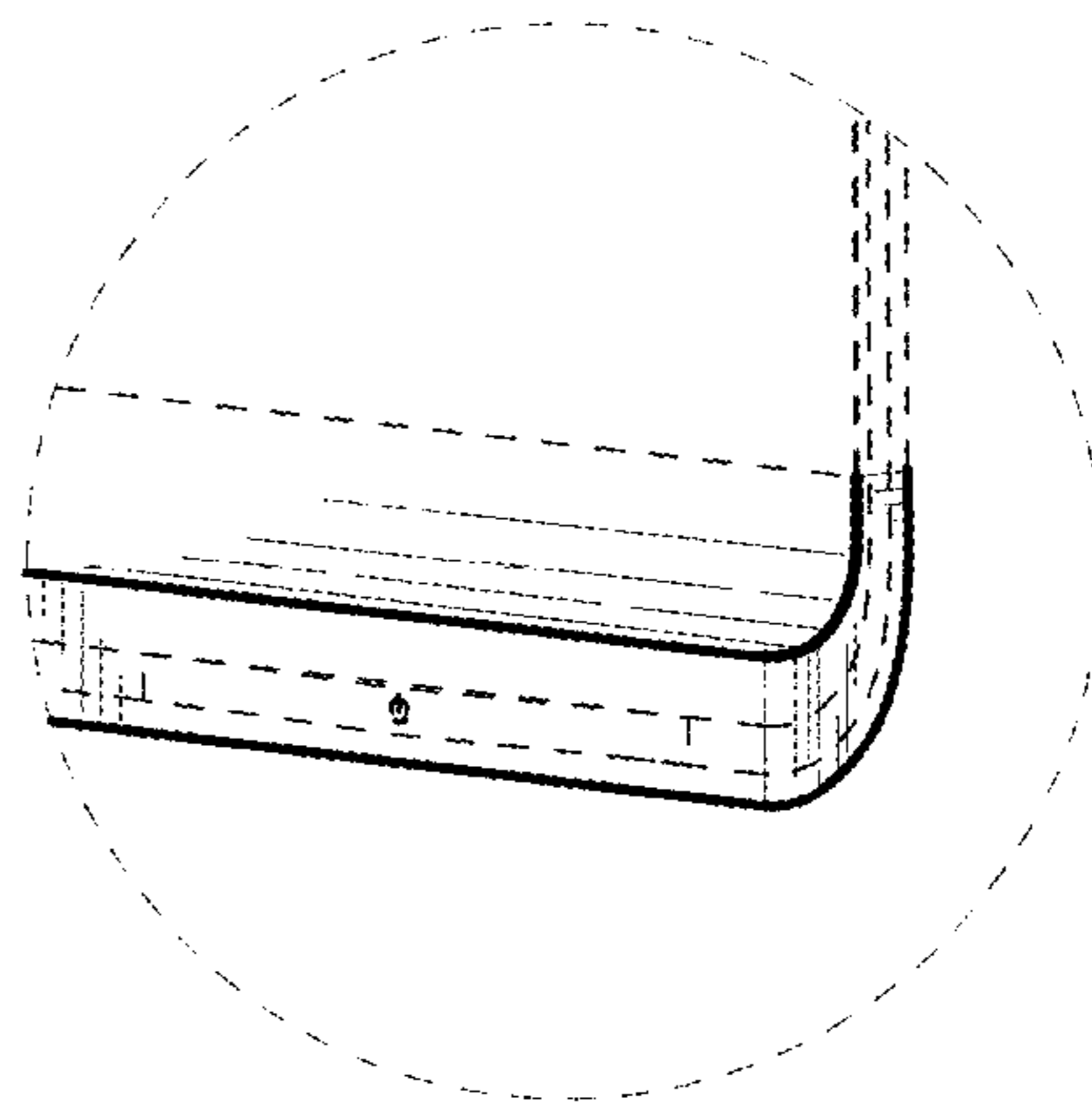


FIG. 14

FIG. 13