



US00D769239S

(12) **United States Design Patent**
Li

(10) **Patent No.:** **US D769,239 S**

(45) **Date of Patent:** **** Oct. 18, 2016**

(54) **NOTEBOOK COMPUTER**

(71) Applicant: **Acer Incorporated**, New Taipei (TW)

(72) Inventor: **I-Lun Li**, New Taipei (TW)

(73) Assignee: **Acer Incorporated**, New Taipei (TW)

(**) Term: **15 Years**

(21) Appl. No.: **29/536,666**

(22) Filed: **Aug. 18, 2015**

(30) **Foreign Application Priority Data**

Jul. 14, 2015 (TW) 104303742

(51) **LOC (10) Cl.** **14-02**

(52) **U.S. Cl.**

USPC **D14/315**

(58) **Field of Classification Search**

USPC D14/315-327; D18/1, 2, 7, 11;
235/145 A, 145 R; 341/22, 23; 345/104,
345/156, 168, 169, 173; 361/679.08,
361/679.09, 679.11, 679.26, 679.27

CPC G06F 1/16; G06F 1/1616; G06F 1/1626;
G06F 1/1632; G06F 1/1613; G06F 1/1601;
G06F 1/1618; G06F 1/162; G06F 1/166;
G06F 1/1654; G06F 1/1681; G06F 1/1637;
G06F 1/1688; H01R 35/02; H03M 11/00;
H03K 17/94; G09G 5/00; F16M 11/10;
H05K 5/00; H04M 1/0237

See application file for complete search history.

(56) **References Cited**

U.S. PATENT DOCUMENTS

D633,489 S * 3/2011 Kim D14/315
D633,490 S * 3/2011 Kim D14/315

D633,905 S * 3/2011 Ke D14/315
D664,532 S * 7/2012 Lee D14/315
D687,430 S * 8/2013 Park D14/315
D705,217 S * 5/2014 Kim D14/315
D714,777 S * 10/2014 Chang D14/315

* cited by examiner

Primary Examiner — Freda S Nunn

(74) *Attorney, Agent, or Firm* — Jianq Chyun IP Office

(57) **CLAIM**

The ornamental design for a notebook computer, as shown and described.

DESCRIPTION

FIG. 1 is a top perspective view of a notebook computer showing my new design;

FIG. 2 is a bottom perspective view thereof;

FIG. 3 is a front view thereof;

FIG. 4 is a rear view thereof;

FIG. 5 is a left side view thereof;

FIG. 6 is a right side view thereof;

FIG. 7 is a top view thereof;

FIG. 8 is a bottom view thereof;

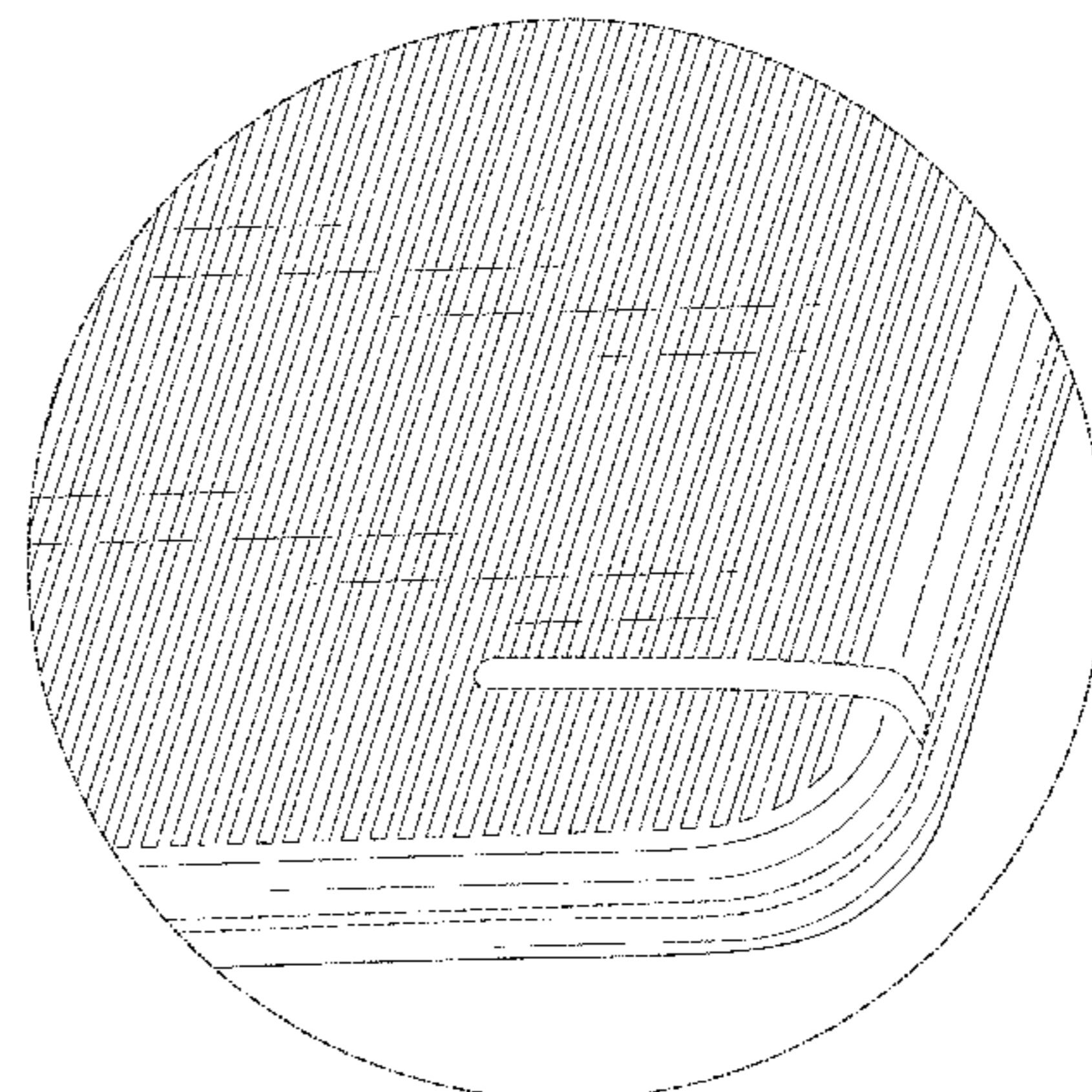
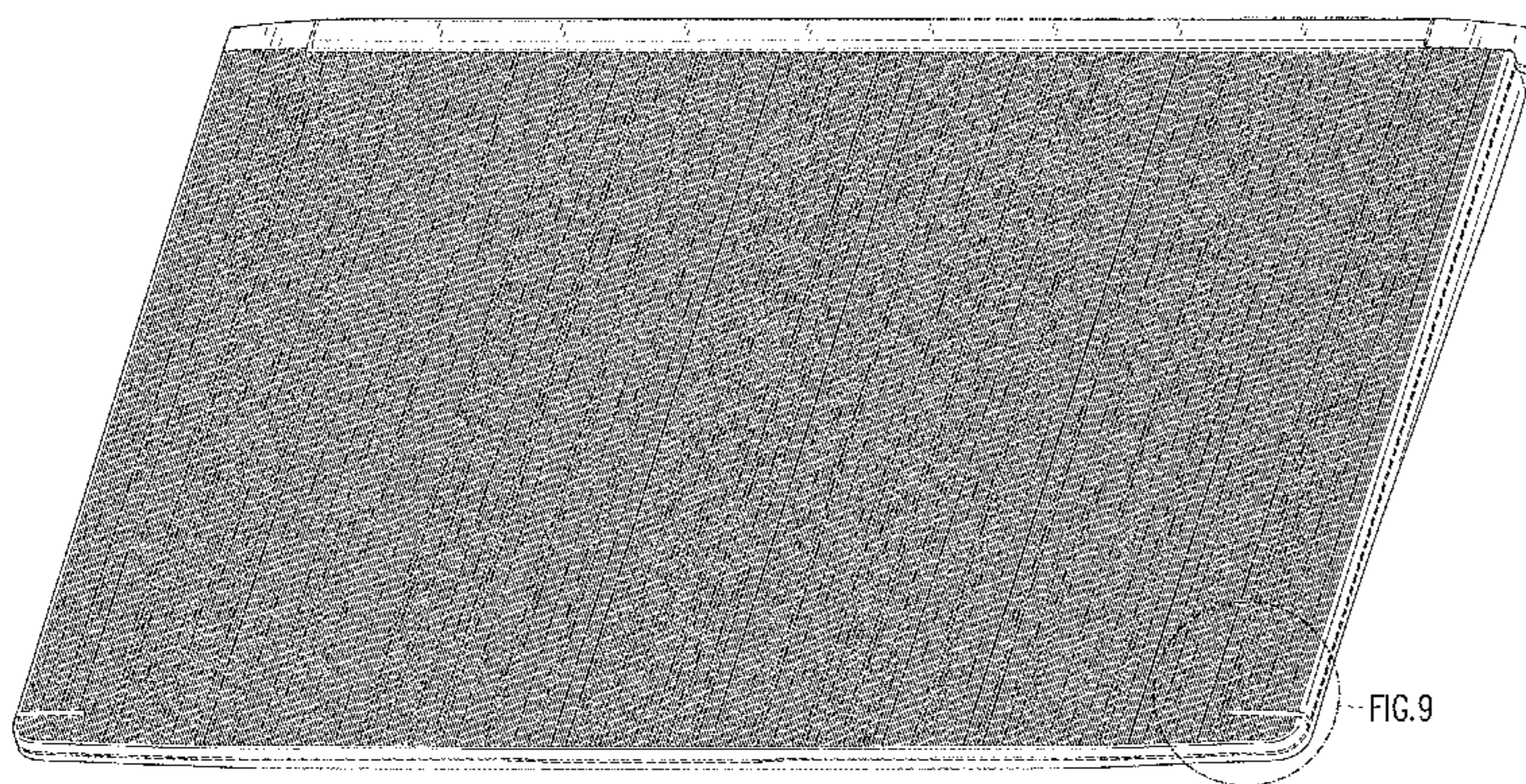
FIG. 9 is an enlarged view of an indicated portion of FIG. 1;

FIG. 10 is a top perspective view thereof in an open state; and,

FIG. 11 is a bottom perspective view thereof in an open state.

The broken line portions of the notebook computer represent unclaimed portions of the claimed design and form no part thereof.

1 Claim, 9 Drawing Sheets



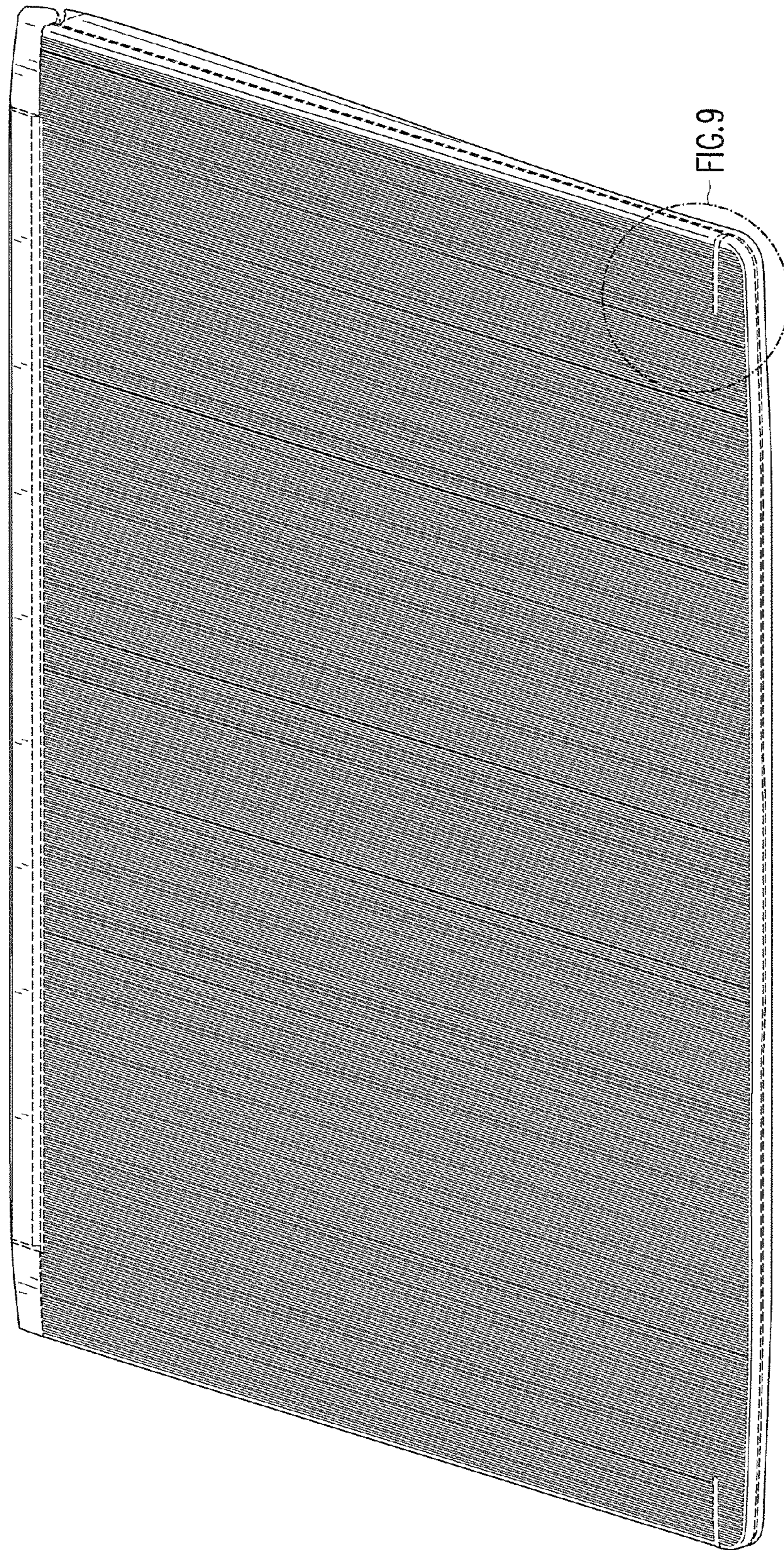


FIG. 1

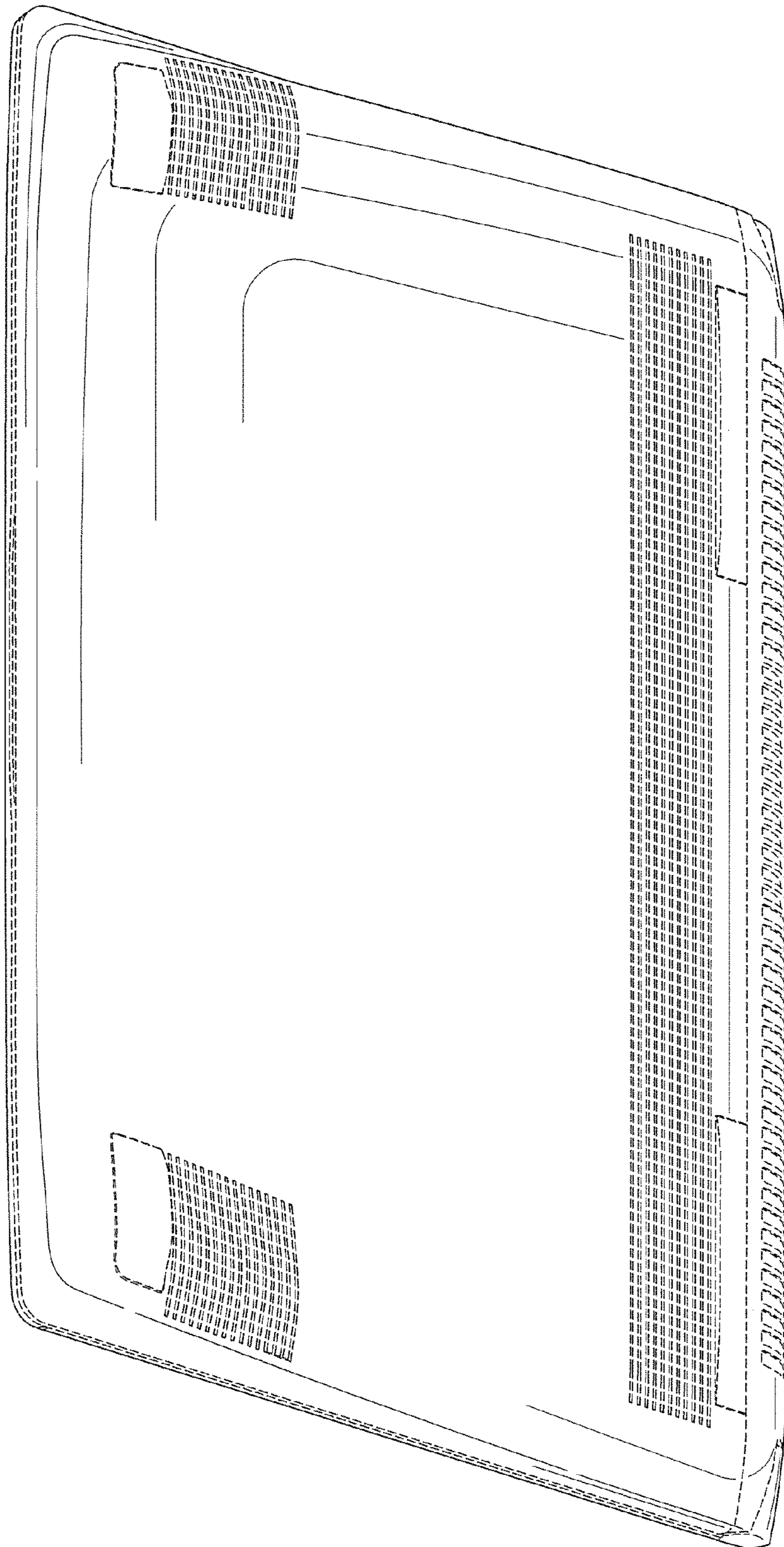


FIG. 2

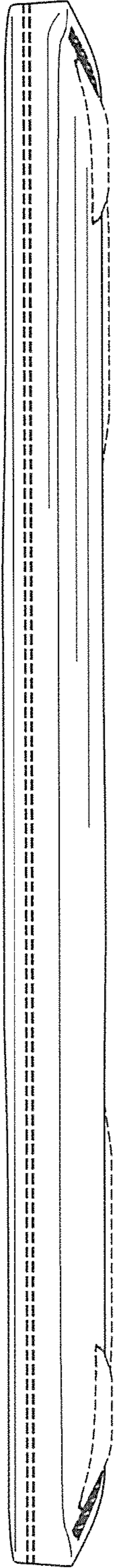


FIG. 3

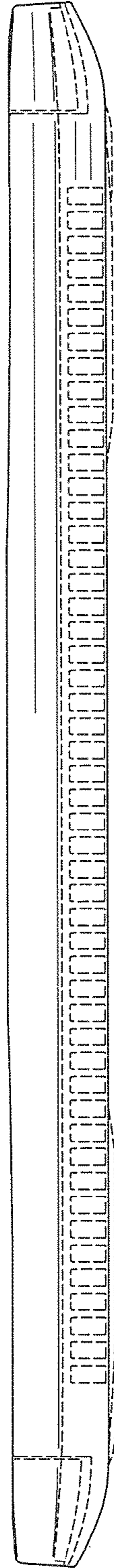


FIG. 4

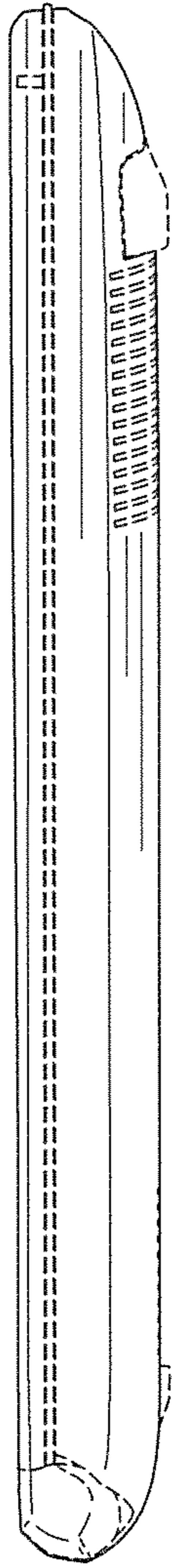


FIG. 5

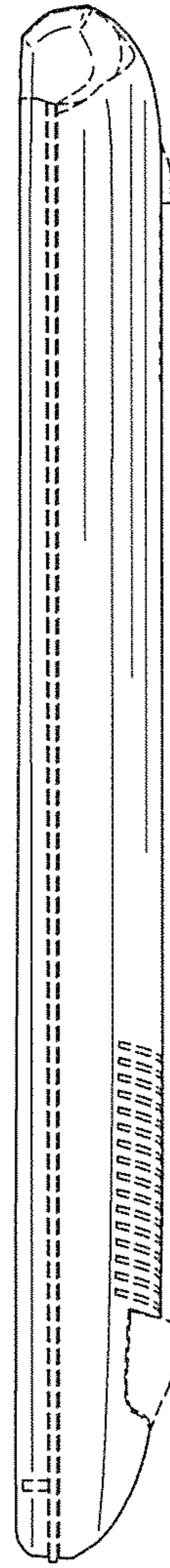


FIG. 6

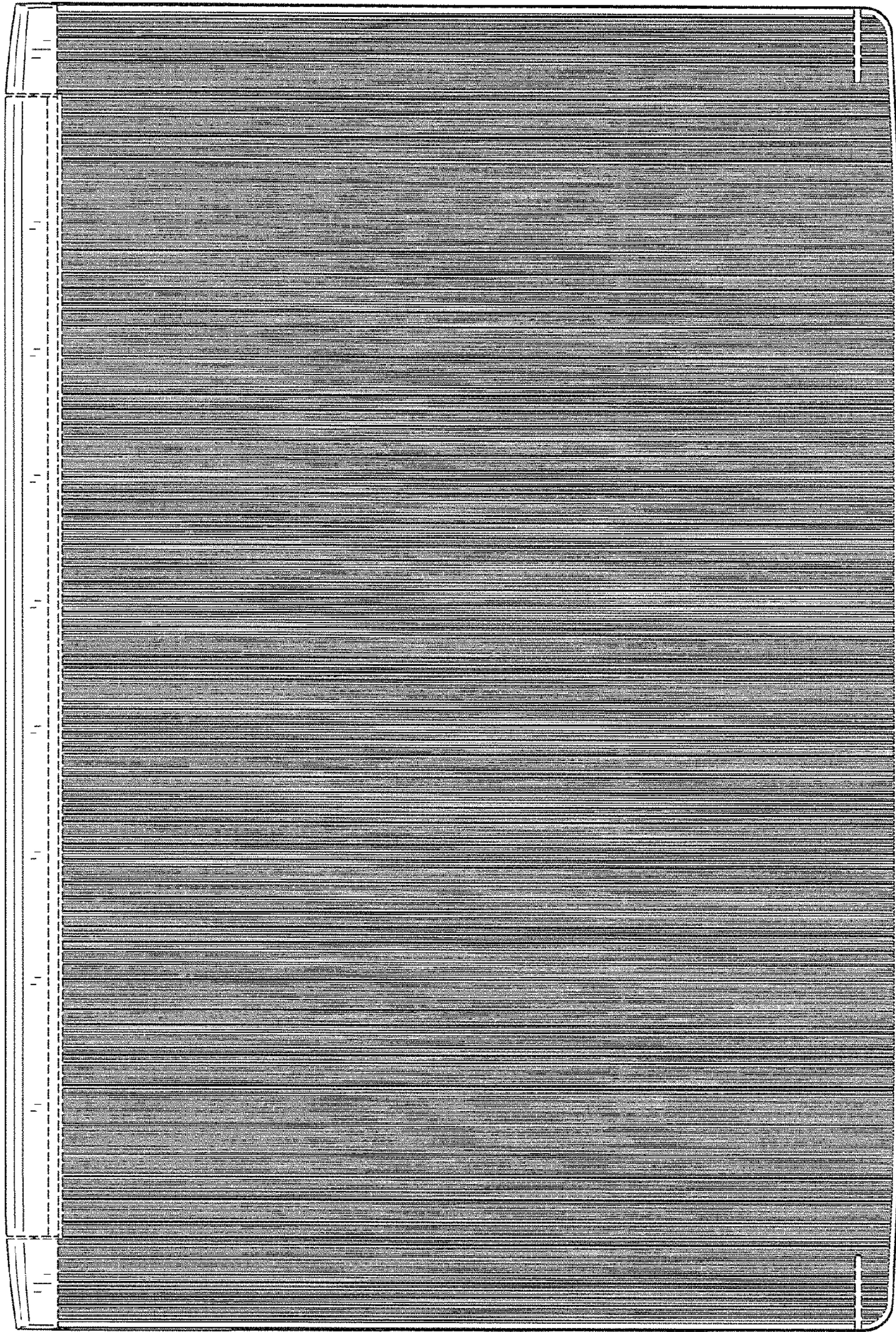


FIG. 7

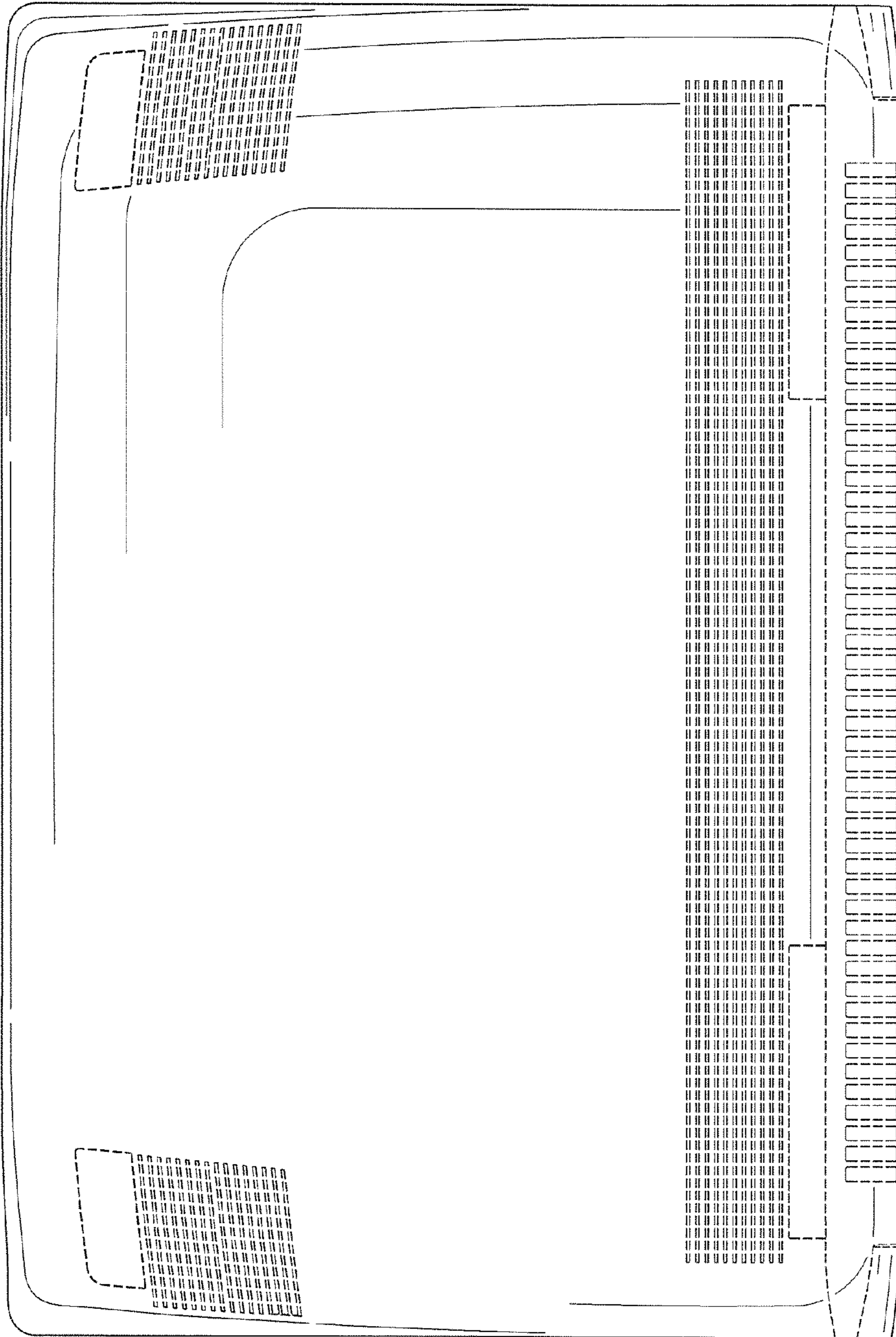


FIG. 8

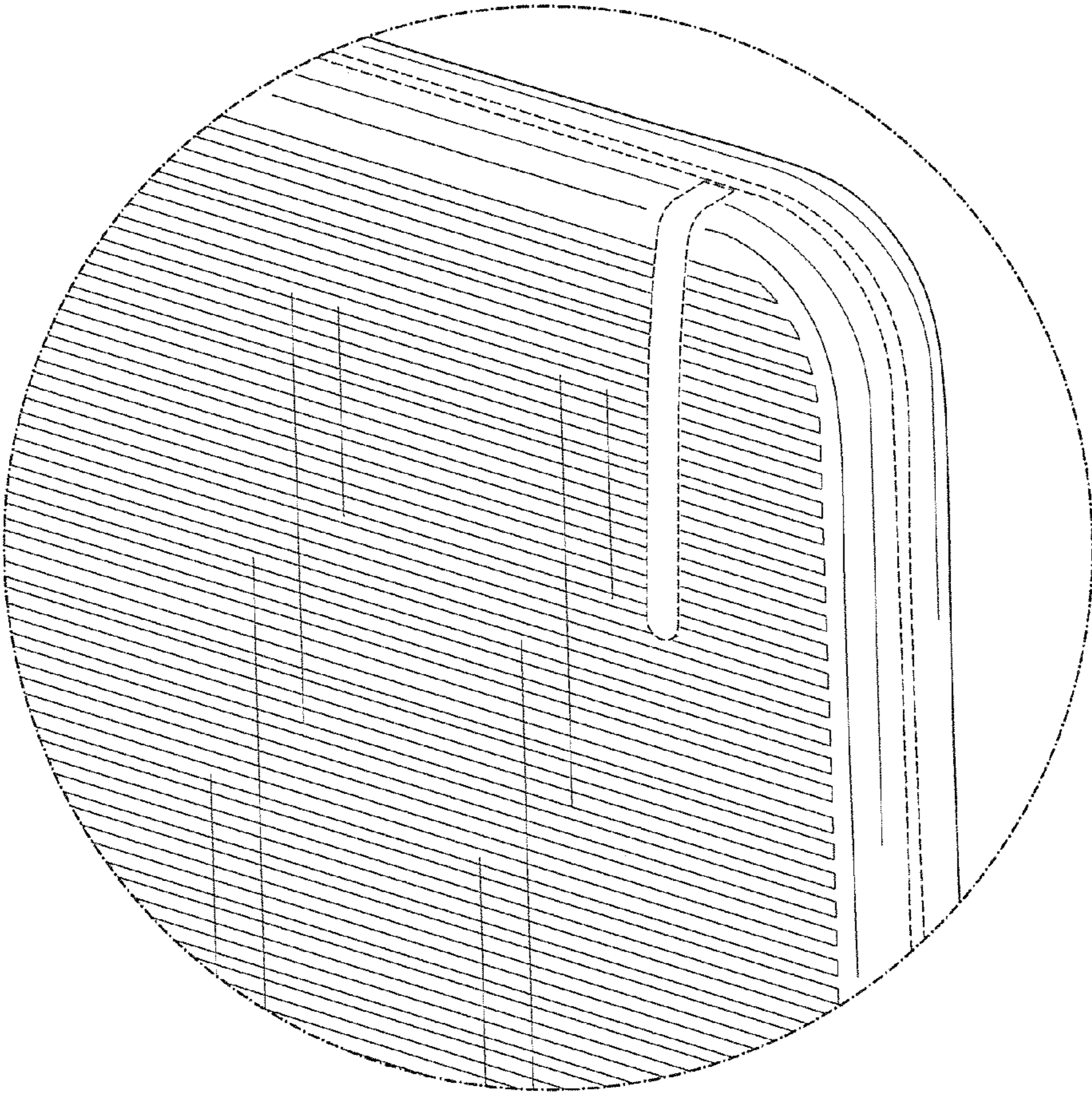


FIG. 9

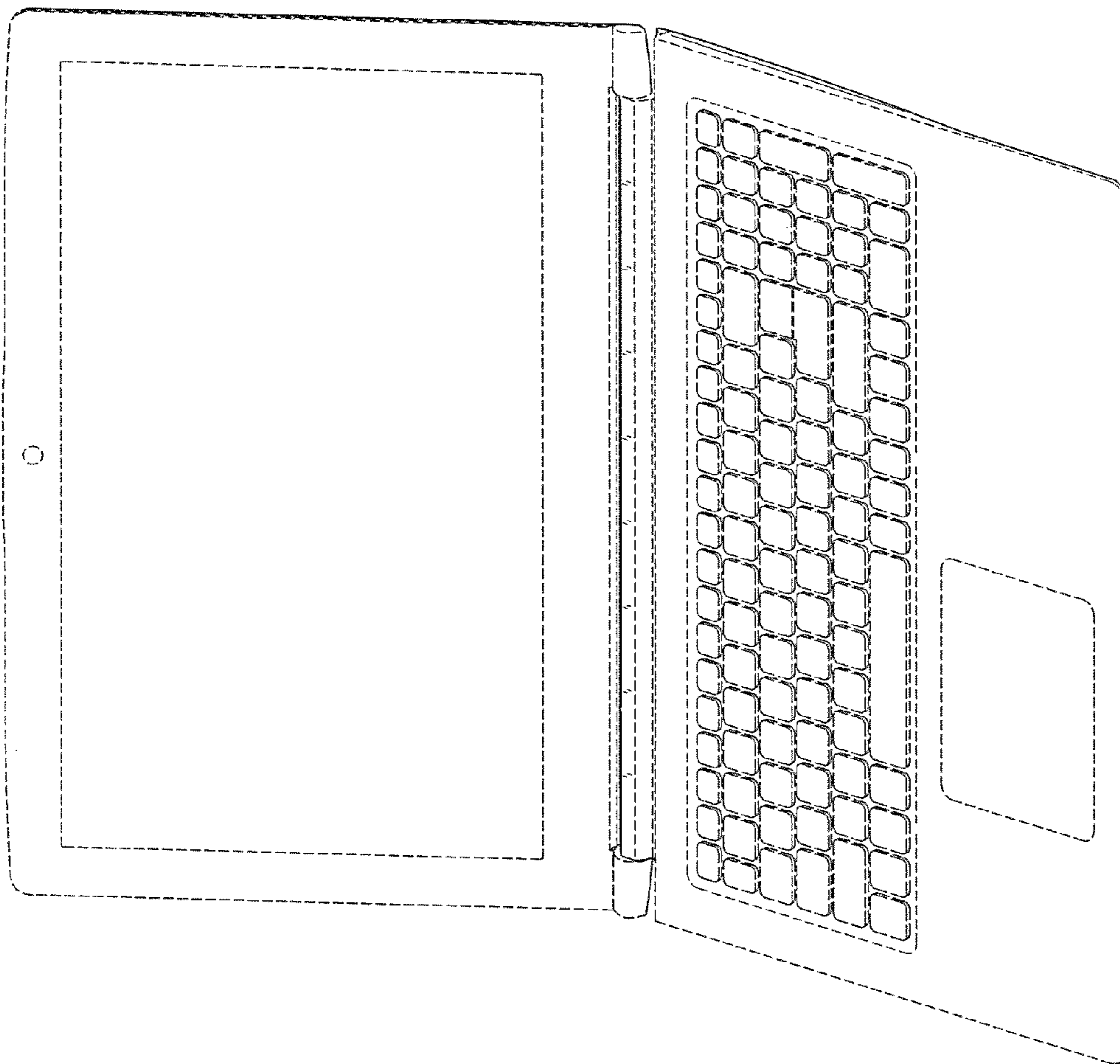


FIG. 10

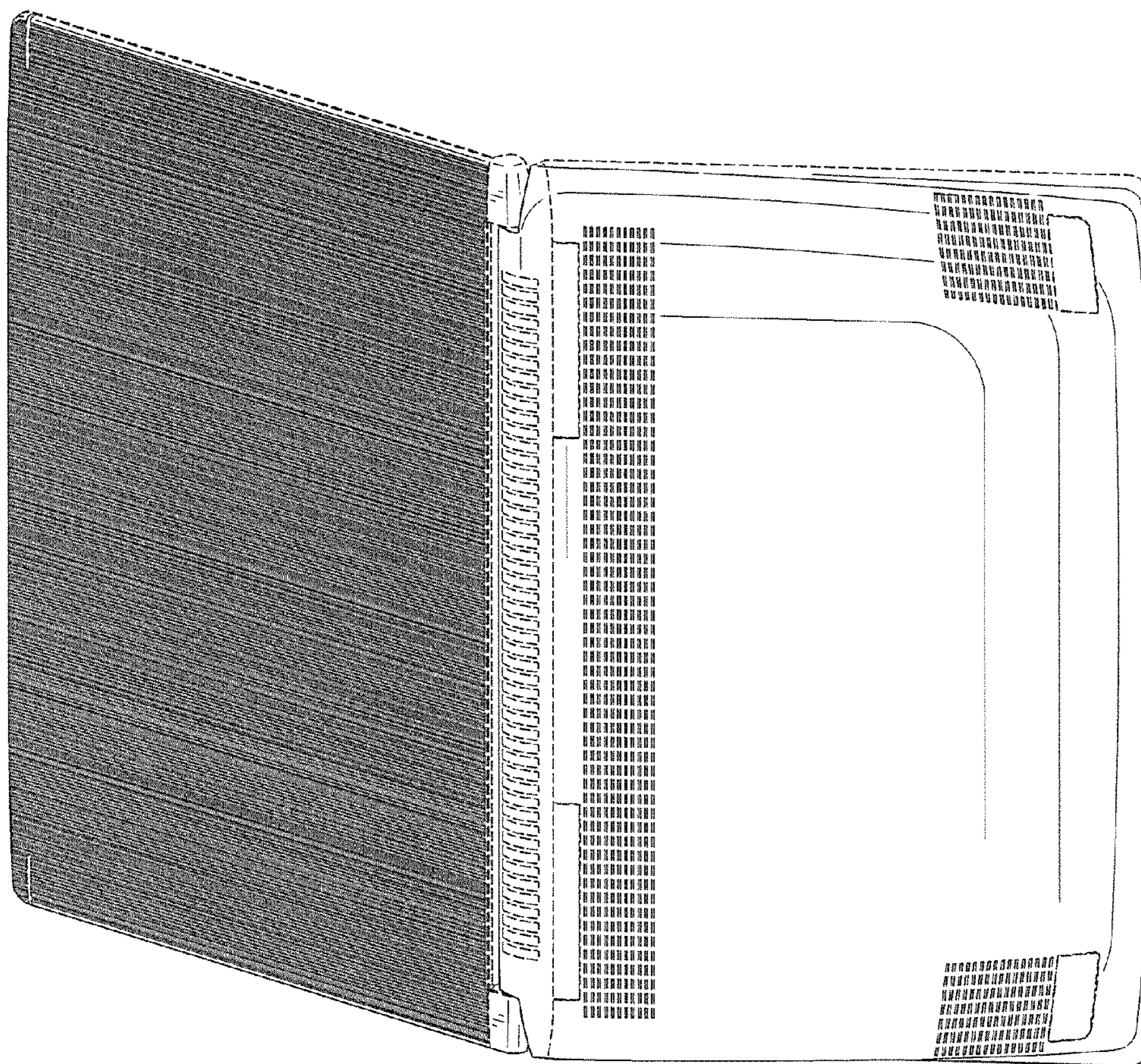


FIG. 11