

US00D769238S

(12) **United States Design Patent** (10) **Patent No.:** **US D769,238 S**
Birnie et al. (45) **Date of Patent:** **** Oct. 18, 2016**

(54) **TERMINAL**

(71) Applicant: **NCR Corporation**, Duluth, GA (US)

(72) Inventors: **Steven J. Birnie**, Dundee (GB);
Marshall Munro, Dunfermline (GB);
Stephen W. Swaine, Perthshire (GB)

(73) Assignee: **NCR CORPORATION**, Duluth, GA (US)

(**) Term: **15 Years**

(21) Appl. No.: **29/531,546**

(22) Filed: **Jun. 26, 2015**

(51) **LOC (10) Cl.** **14-02**

(52) **U.S. Cl.**
USPC **D14/307**

(58) **Field of Classification Search**
USPC D14/302-307, 900-902; D13/163;
D20/10; D21/332, 325, 369, 370;
D99/28; D6/397, 466; 194/206;
361/679.01, 679.02, 679.04, 679.21,
361/679.57, 725
CPC G06Q 20/18; G06Q 20/10; G06Q 20/123;
G06Q 20/20; G06Q 30/02; G06Q 30/06;
A47F 9/047

See application file for complete search history.

(56) **References Cited**

U.S. PATENT DOCUMENTS

D366,975 S *	2/1996	Kaga	D14/307
D493,452 S *	7/2004	Devane	D14/307
D532,417 S *	11/2006	Becker	D14/307
D532,782 S *	11/2006	Russo	D14/307
D653,422 S *	1/2012	Rohan	D14/307
D727,307 S *	4/2015	Kraft	D14/307
D727,308 S *	4/2015	Kraft	D14/307
D730,890 S *	6/2015	Kraft	D14/307
D734,314 S *	7/2015	Swaine	D14/307
D738,366 S *	9/2015	Kraft	D14/307
D751,061 S *	3/2016	Berini	D14/307

* cited by examiner

Primary Examiner — Austin Murphy

(74) *Attorney, Agent, or Firm* — Paul W. Martin

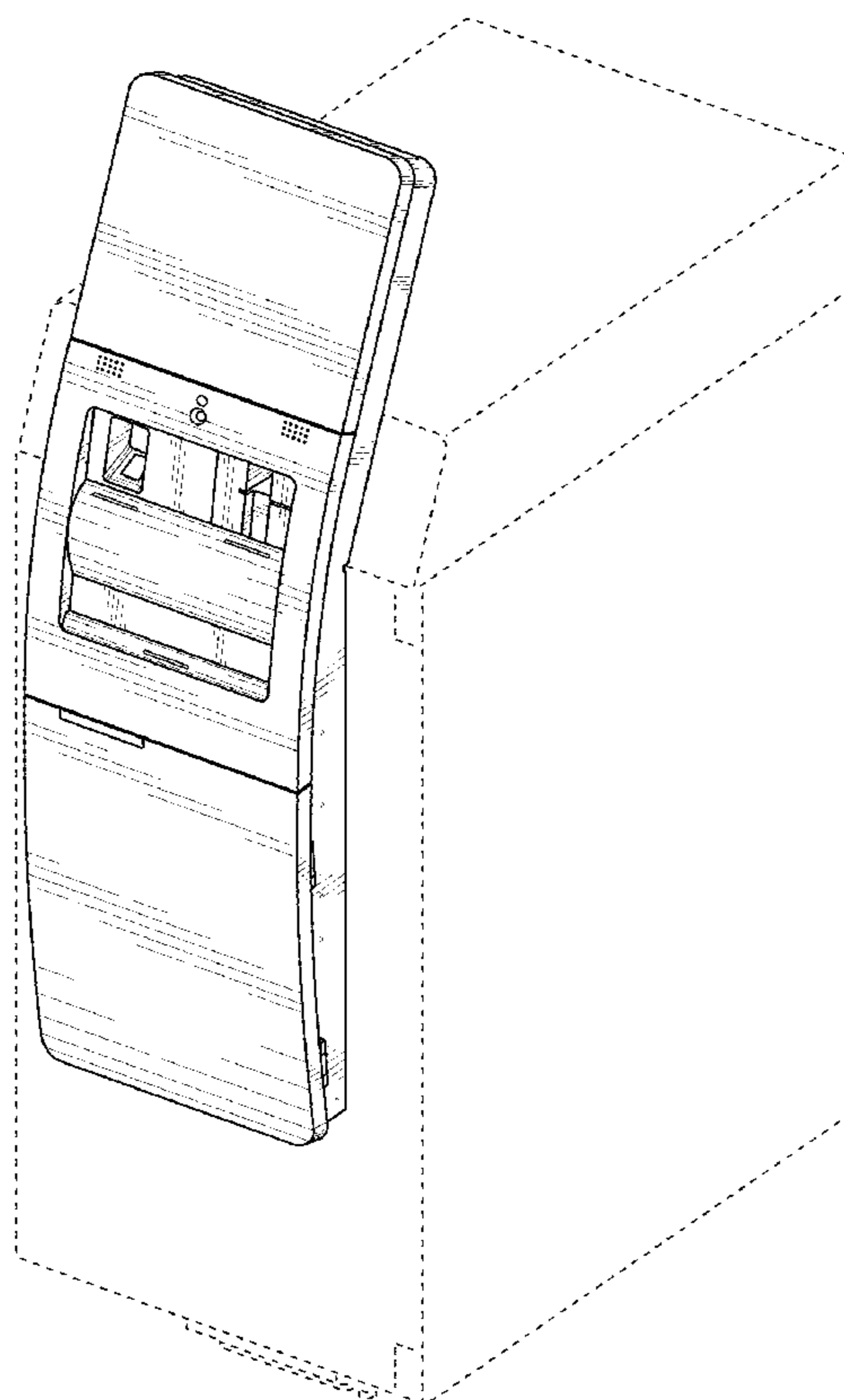
(57) **CLAIM**

The ornamental design for a terminal, as shown and described.

DESCRIPTION

FIG. 1 is a front perspective view of a terminal showing our new design;
FIG. 2 is a right side view thereof;
FIG. 3 is a left side view thereof;
FIG. 4 is a front view thereof;
FIG. 5 is a rear view thereof; and,
FIG. 6 is a top view thereof.

1 Claim, 6 Drawing Sheets



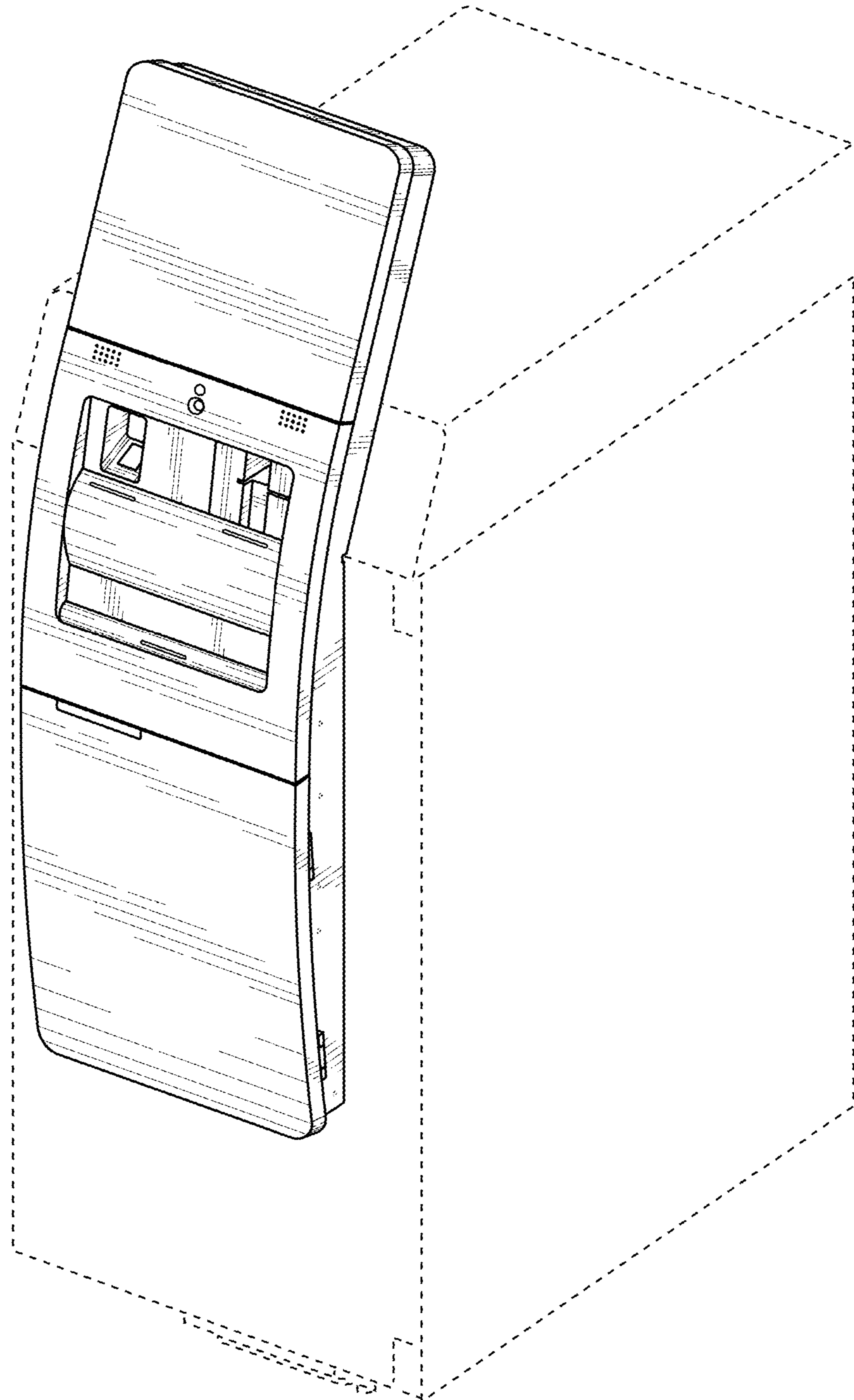


FIG. 1

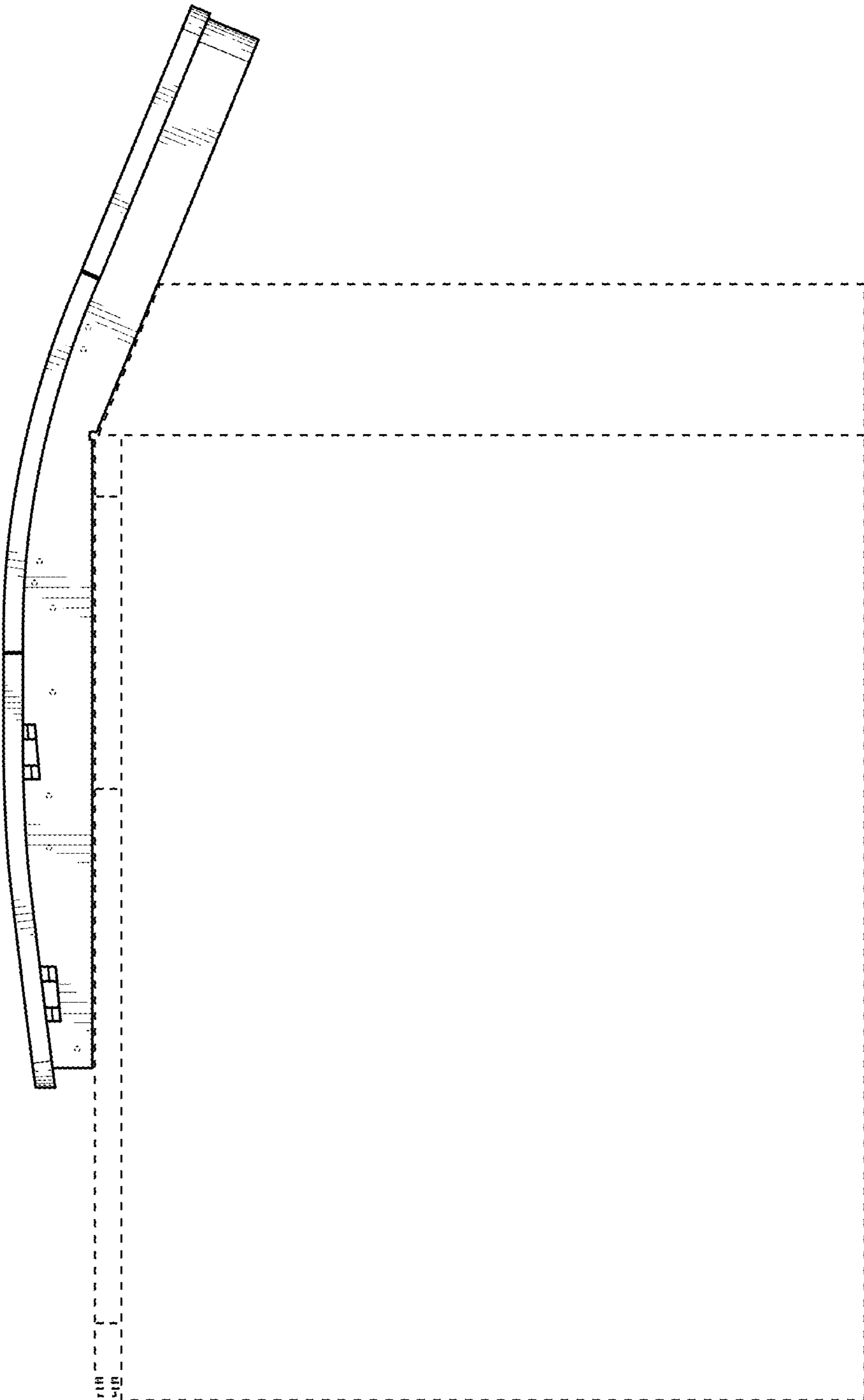


FIG. 2

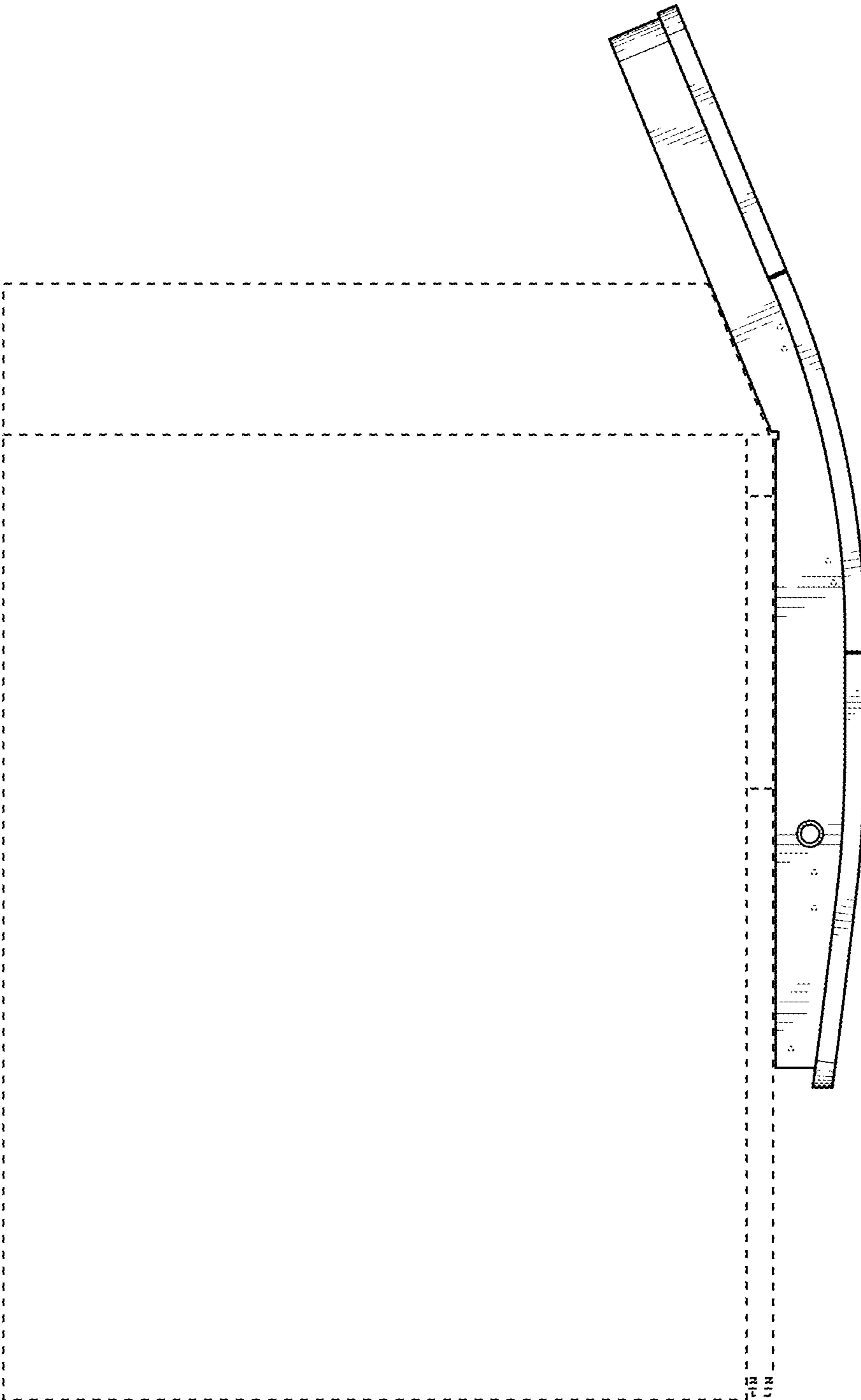


FIG. 3

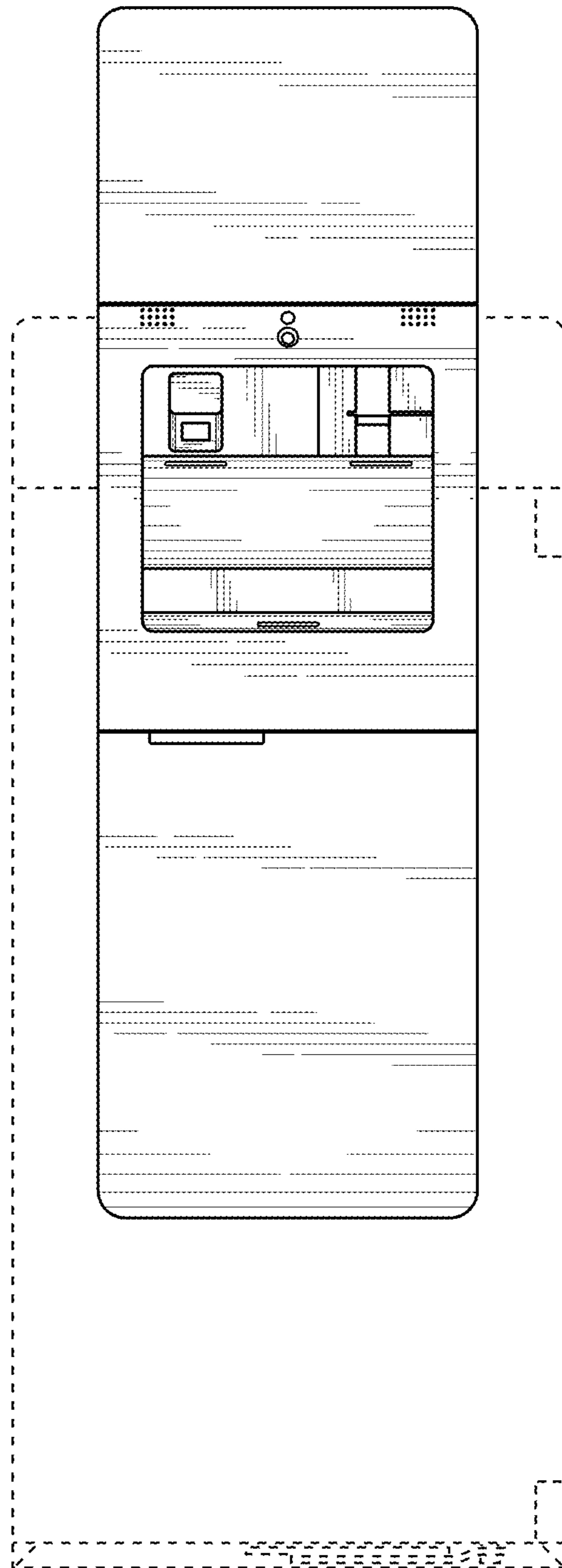


FIG. 4

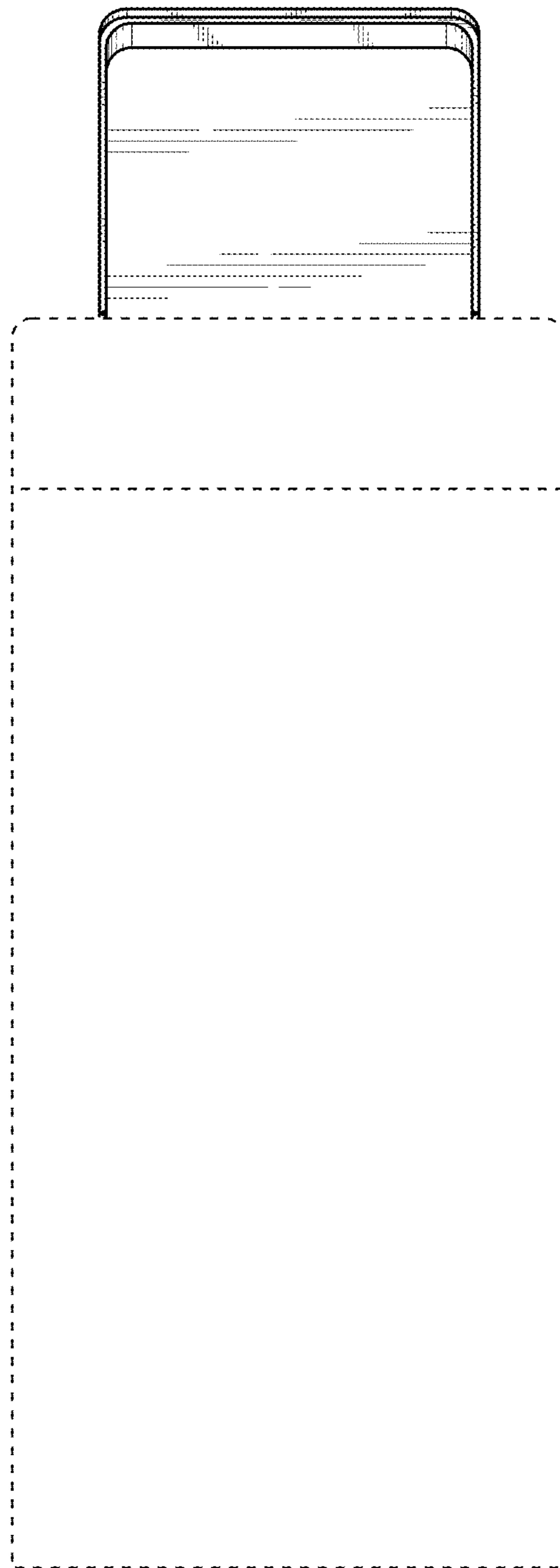


FIG. 5

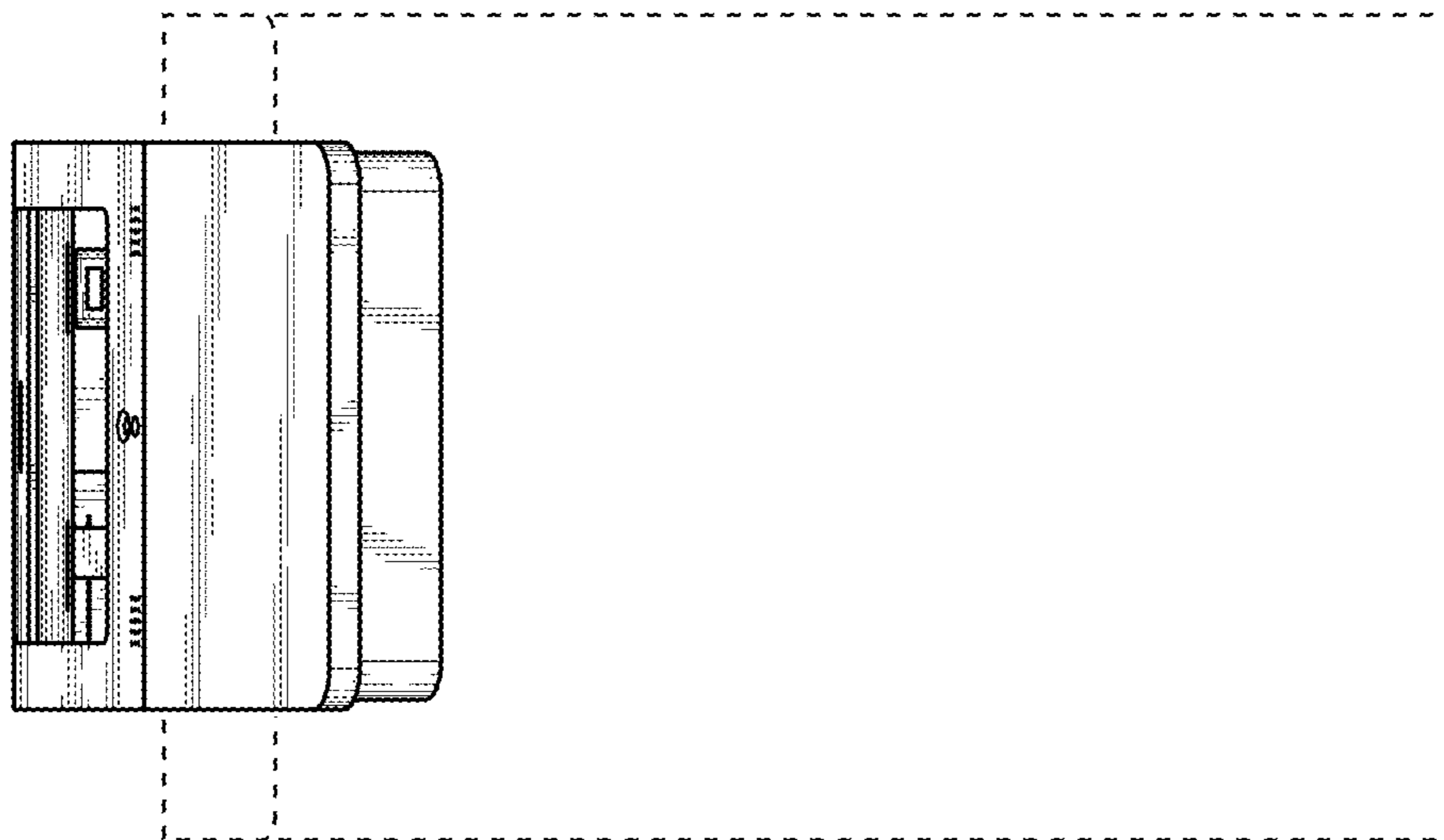


FIG. 6