



US00D769233S

(12) **United States Design Patent**
Qian et al.

(10) **Patent No.:** **US D769,233 S**

(45) **Date of Patent:** **** Oct. 18, 2016**

(54) **PROTECTIVE COVER FOR AN ELECTRONIC DEVICE**

(71) Applicant: **HON HAI PRECISION INDUSTRY CO., LTD.**, New Taipei (TW)

(72) Inventors: **Jian-Xiong Qian**, Shenzhen (CN);
Jun-Yuan Wang, Shenzhen (CN)

(73) Assignee: **HON HAI PRECISION INDUSTRY CO., LTD.**, New Taipei (TW)

(**) Term: **14 Years**

(21) Appl. No.: **29/520,080**

(22) Filed: **Mar. 11, 2015**

(30) **Foreign Application Priority Data**

Jan. 22, 2015 (CN) 2015 3 0019357

(51) **LOC (10) Cl.** **14-03**

(52) **U.S. Cl.**
USPC **D14/250**

(58) **Field of Classification Search**
USPC D14/138 AA, 138 C, 138 G, 138 R, 143,
D14/188, 189, 203.2–203.7, 217, 238.1,
D14/240, 248, 250–253, 341, 345, 347, 353,
D14/440, 447, 496, 507; D13/103, 108,
D13/119; D3/201, 218, 247, 269, 273, 303
CPC A45C 1/06; A45C 11/00; A45C 11/002;
A45C 2011/002; A45C 2005/026; A45C
2200/0525; A45C 2200/516; H04B 1/3888;
H04M 1/0283; H04M 1/0202; H04M 1/003
See application file for complete search history.

(56) **References Cited**

U.S. PATENT DOCUMENTS

D651,204 S * 12/2011 Wibby D14/250
D671,933 S * 12/2012 Rodgers D14/250

D709,486 S * 7/2014 Lin D14/250
D718,289 S * 11/2014 Brand D14/250
D720,739 S * 1/2015 Liu D14/250
D726,170 S * 4/2015 Ng D14/250
D745,866 S * 12/2015 Adelman D14/250
2015/0351509 A1* 12/2015 Fathollahi A45C 13/002
224/191

* cited by examiner

Primary Examiner — Eric Goodman

Assistant Examiner — Amy Wierenga

(74) *Attorney, Agent, or Firm* — Zhigang Ma

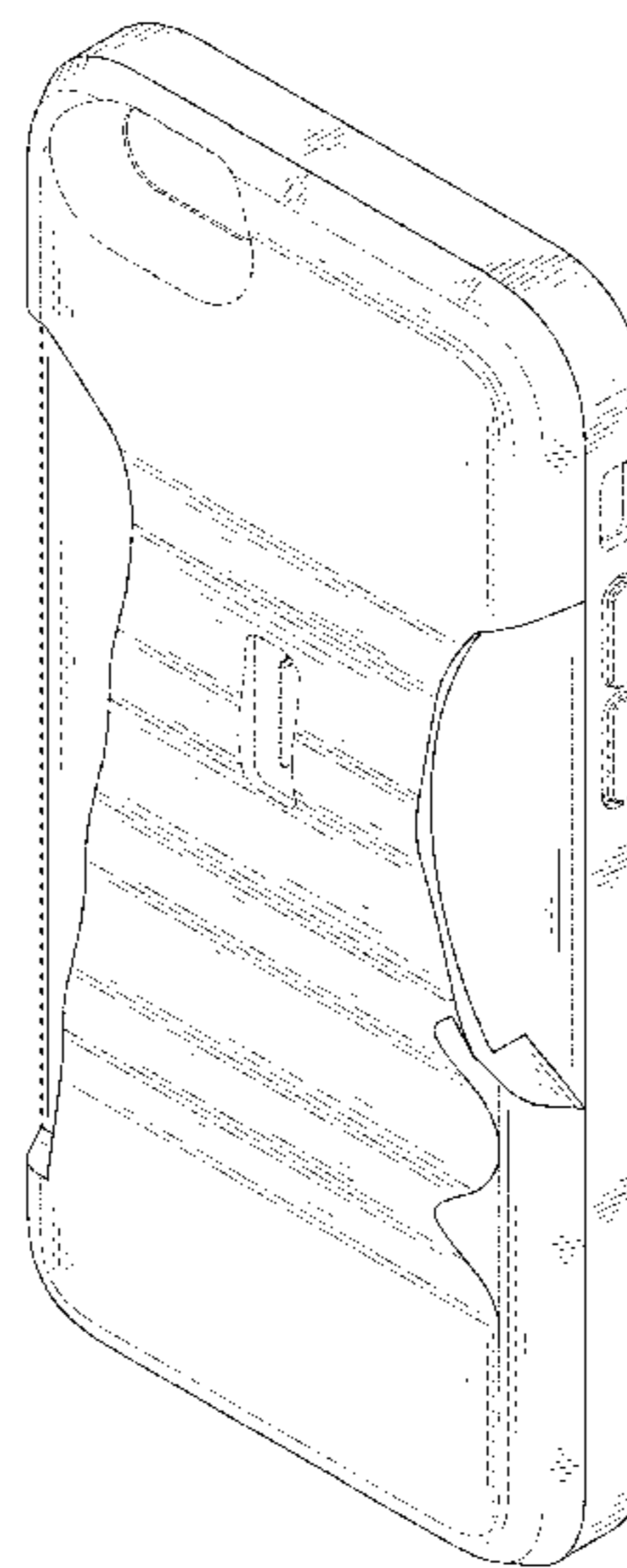
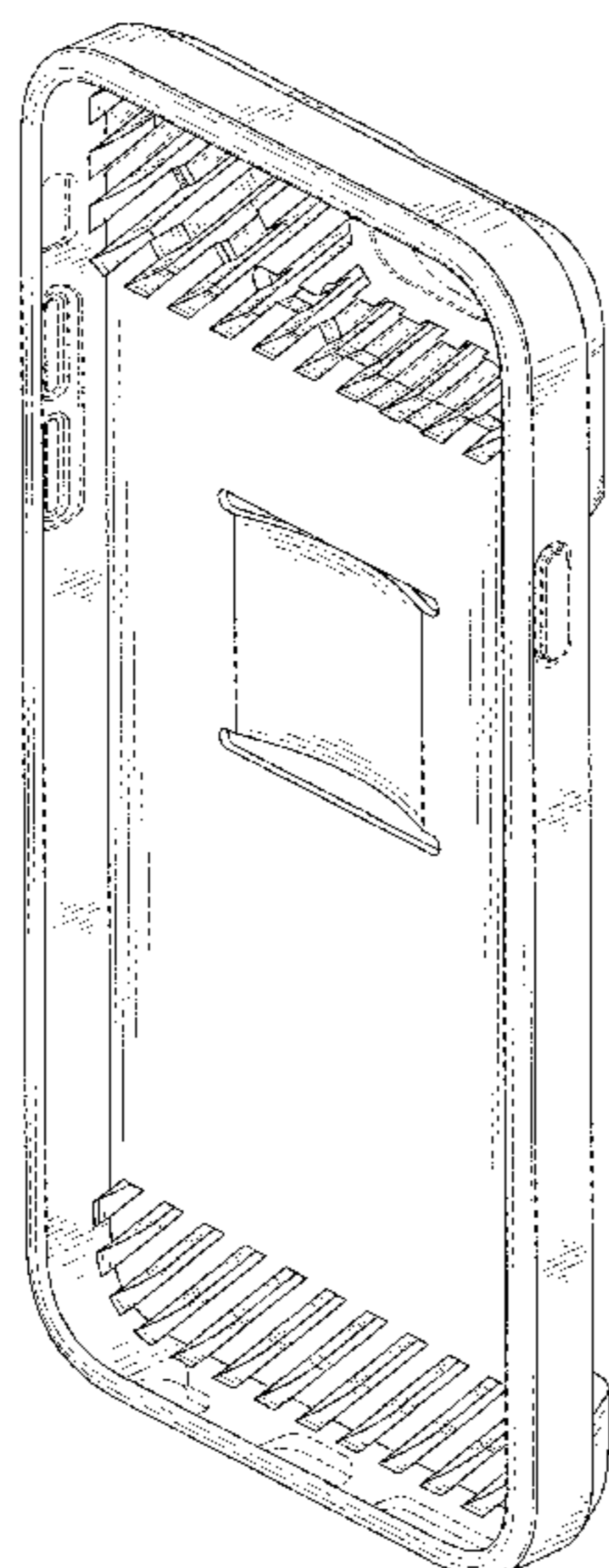
(57) **CLAIM**

The ornamental design for a protective cover for an electronic device, as shown and described.

DESCRIPTION

FIG. 1 is a perspective view of a protective cover for an electronic device, showing our new design;
FIG. 2 is a perspective view of the protective cover for an electronic device of FIG. 1 shown in another position;
FIG. 3 is a front elevational view thereof;
FIG. 4 is a rear elevational view thereof;
FIG. 5 is a right-side elevational view thereof;
FIG. 6 is a left-side elevational view thereof;
FIG. 7 is a top plan view thereof;
FIG. 8 is a bottom plan view thereof; and,
FIG. 9 is a perspective view of the protective cover for an electronic device in use with a subscriber identity module (SIM) card and a card fetching needle for reference.
The broken lines in the drawings are employed to show unclaimed portions of the protective cover for an electronic device, and form no part of the claimed design.

1 Claim, 9 Drawing Sheets



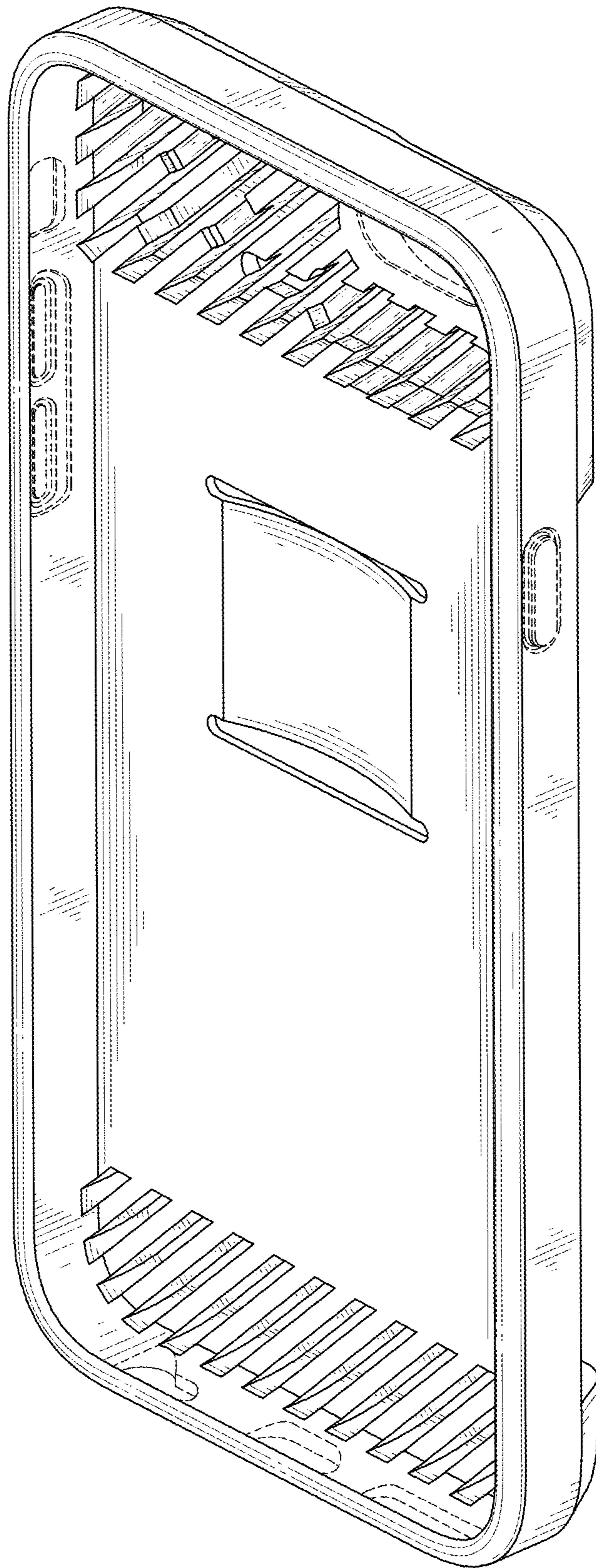


FIG. 1

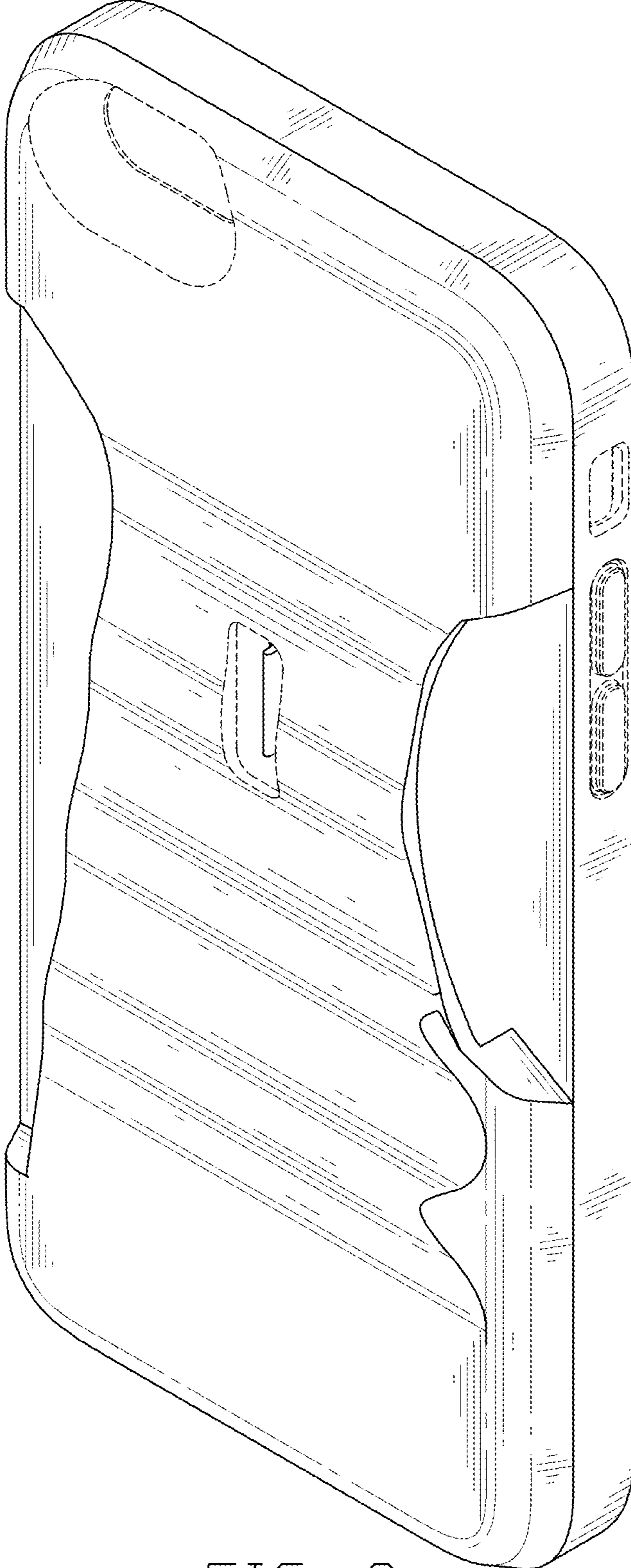


FIG. 2

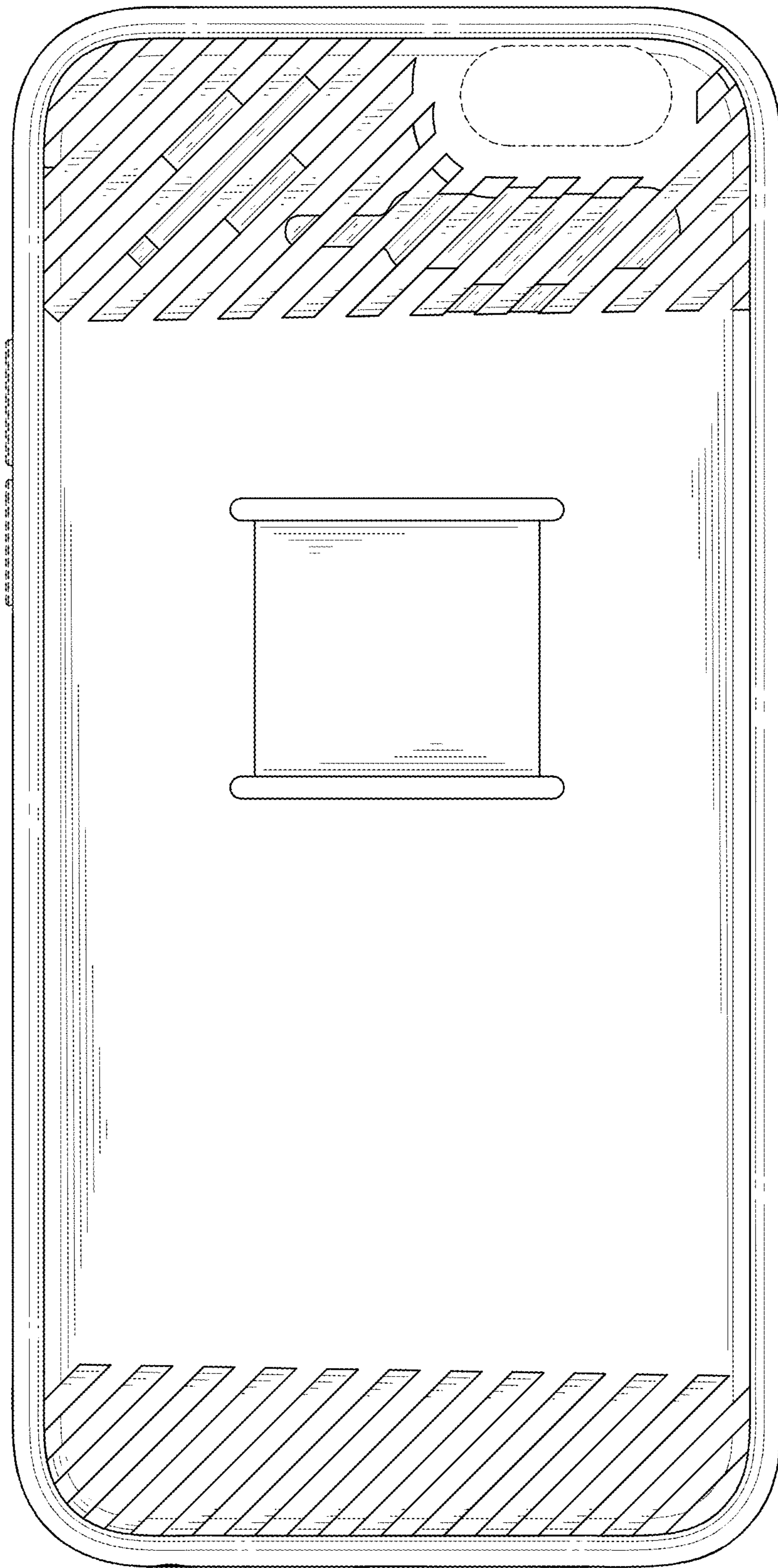


FIG. 3

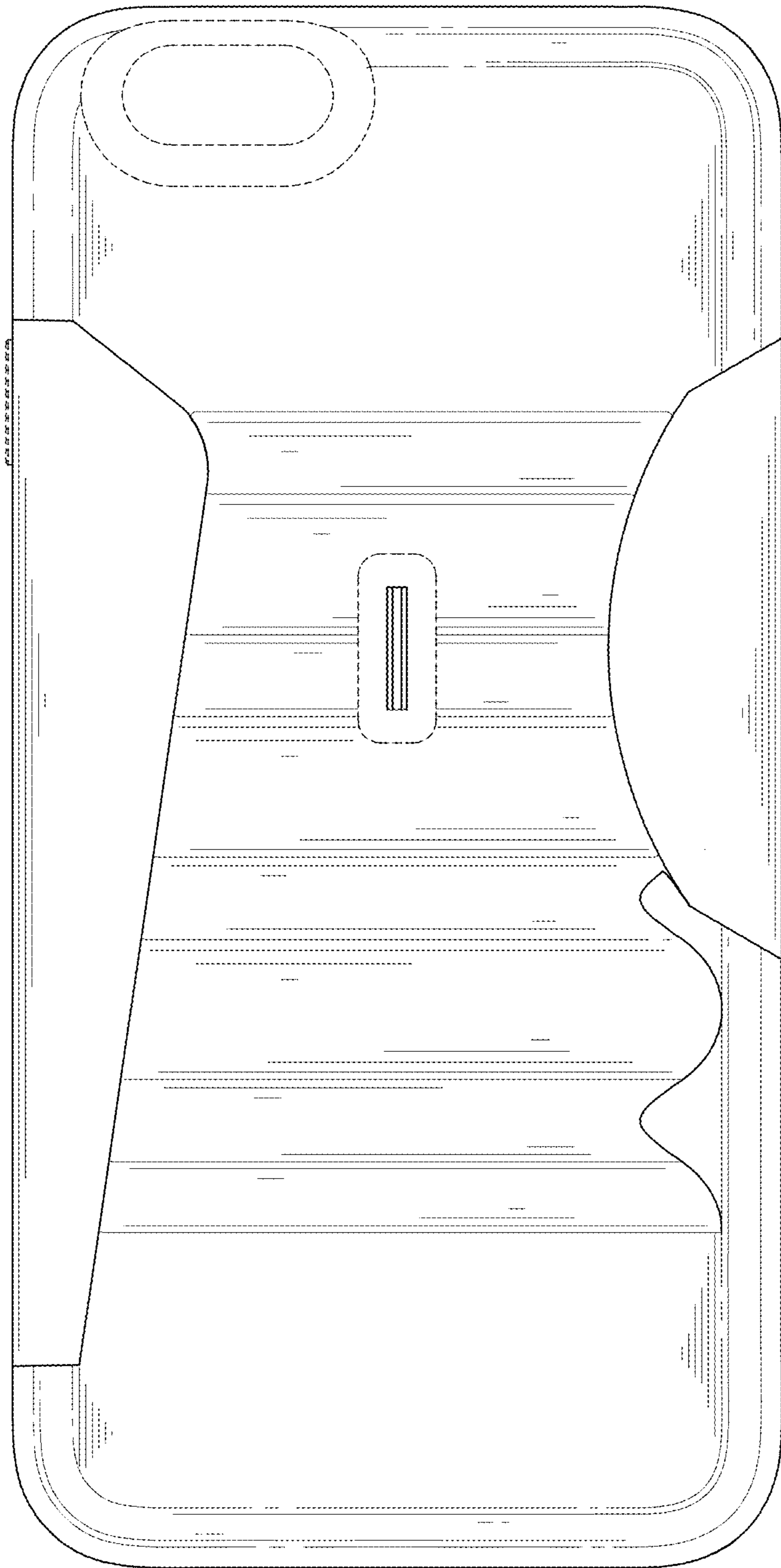


FIG. 4

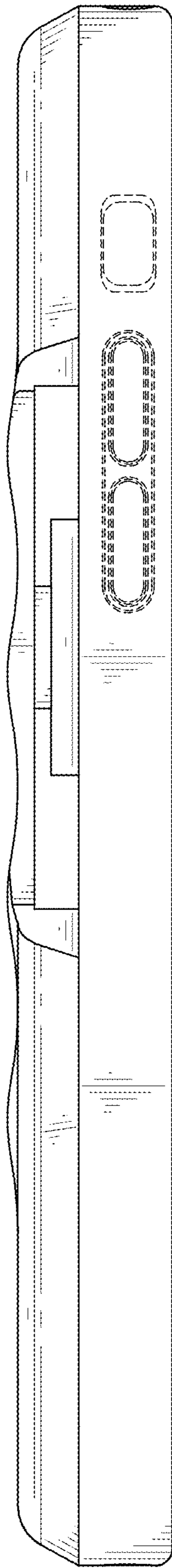


FIG. 5

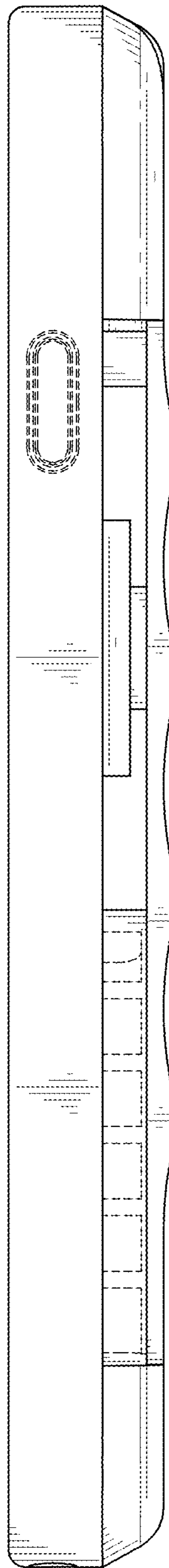


FIG. 6

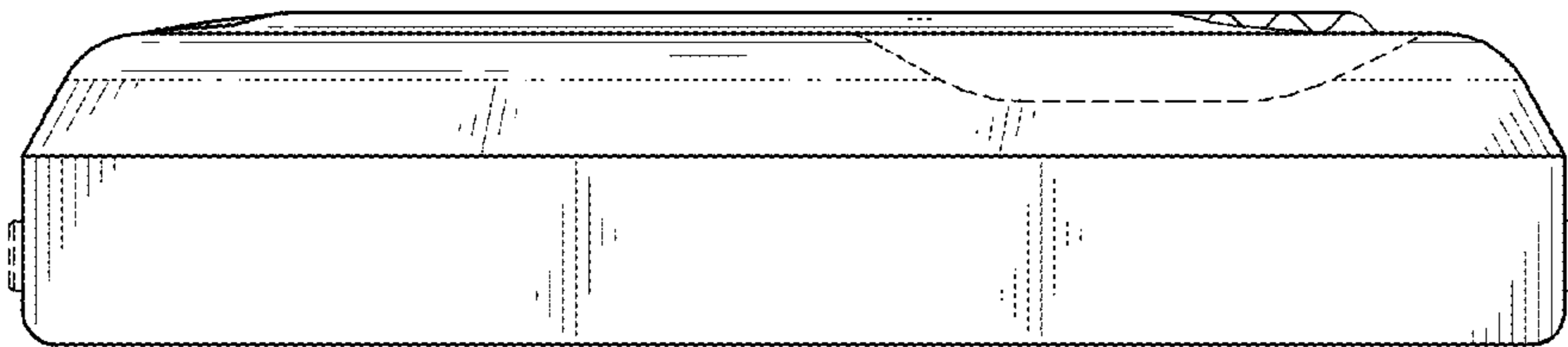


FIG. 7

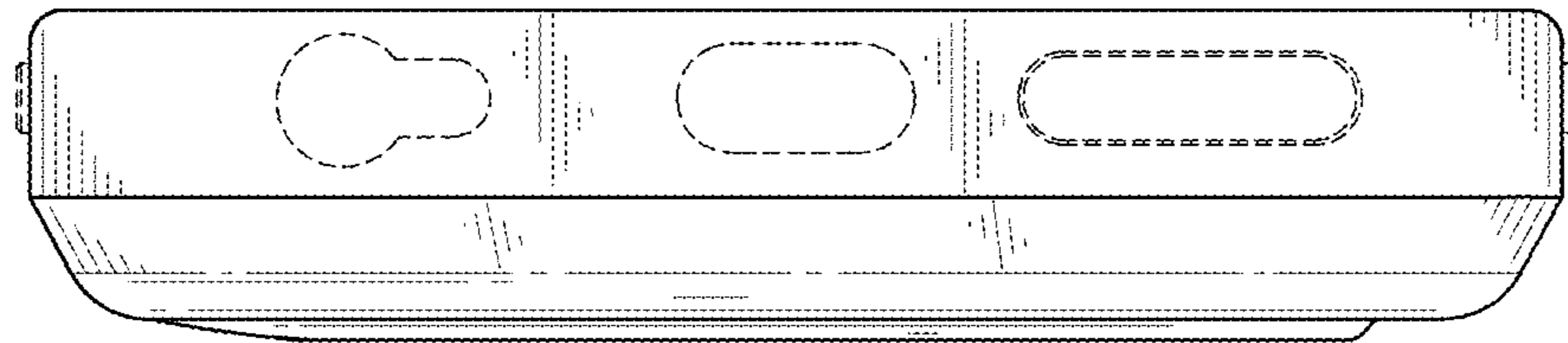


FIG. 8

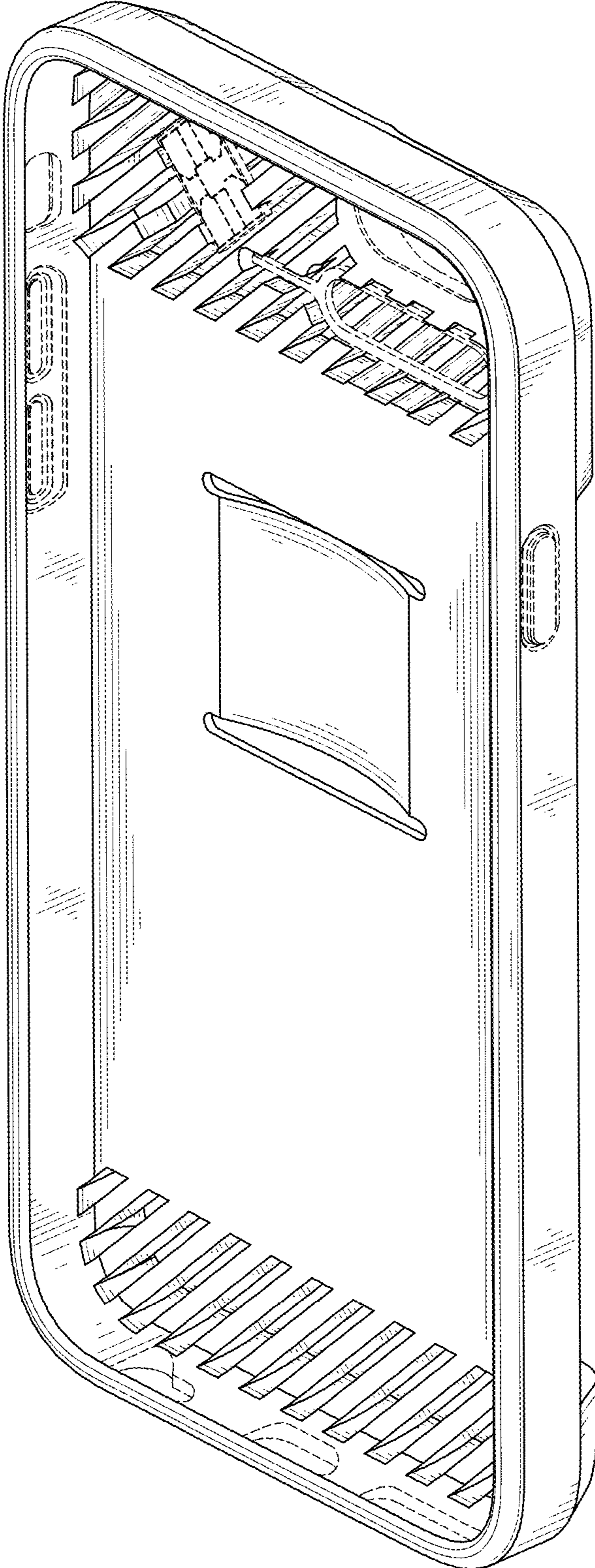


FIG. 9