

US00D769232S

(12) **United States Design Patent**
Chu et al.

(10) **Patent No.:** **US D769,232 S**

(45) **Date of Patent:** **** Oct. 18, 2016**

(54) **ROUTER**

(71) Applicant: **HON HAI PRECISION INDUSTRY CO., LTD.**, New Taipei (TW)

(72) Inventors: **Chia-Ao Chu**, New Taipei (TW);
Wei-Min Chang, New Taipei (TW)

(73) Assignee: **HON HAI PRECISION INDUSTRY CO., LTD.**, New Taipei (TW)

(**) Term: **14 Years**

(21) Appl. No.: **29/508,919**

(22) Filed: **Nov. 12, 2014**

(30) **Foreign Application Priority Data**

Sep. 9, 2014 (TW) 103305270

(51) **LOC (10) Cl.** **14-03**

(52) **U.S. Cl.**
USPC **D14/242**

(58) **Field of Classification Search**
USPC D14/240, 242, 357, 358, 125,
D14/140-140.9, 155, 137, 139, 243, 239,
D14/433
CPC H04L 12/00; H03K 17/00; H04W 88/00;
H04W 88/005; H04W 88/02; H04W 88/08;
H04W 88/085; H04W 88/10; H04W 88/12;
H04W 88/14; H04B 1/38

See application file for complete search history.

(56) **References Cited**

U.S. PATENT DOCUMENTS

D309,728 S * 8/1990 Nuttall D14/356
D415,164 S * 10/1999 Hadar D13/168
6,122,526 A * 9/2000 Parulski 348/E5.029
D445,705 S * 7/2001 Kliegman D10/104.1
D462,954 S * 9/2002 Chen D14/299

D490,796 S * 6/2004 Allen D14/260
D520,502 S * 5/2006 Xu D14/356
D531,178 S * 10/2006 Lee D14/367
D534,184 S * 12/2006 Leija D14/496
D536,333 S * 2/2007 McRae D14/240
D542,784 S * 5/2007 Franck D14/240
D567,808 S * 4/2008 Kanne D14/240
D579,931 S * 11/2008 Chang D14/242
D596,634 S * 7/2009 Wong D14/358
D597,090 S * 7/2009 Bemelmans D14/341
D602,020 S * 10/2009 Haspil D14/358
D602,891 S * 10/2009 Luo D14/125
D642,166 S * 7/2011 Beans, Jr. D14/240
D659,712 S * 5/2012 Andre D14/496
D716,304 S * 10/2014 Orthey D14/385
D720,708 S * 1/2015 Park D14/125
D720,755 S * 1/2015 Nokuo D14/433
D732,023 S * 6/2015 Asao D14/358
2005/0041387 A1 * 2/2005 Lee G06F 1/16
361/679.33
2005/0227737 A1 * 10/2005 Moon H04M 1/04
455/566
2007/0285320 A1 * 12/2007 Hayes G06K 19/07732
343/702

* cited by examiner

Primary Examiner — Bridget L Eland

(74) *Attorney, Agent, or Firm* — Zhigang Ma

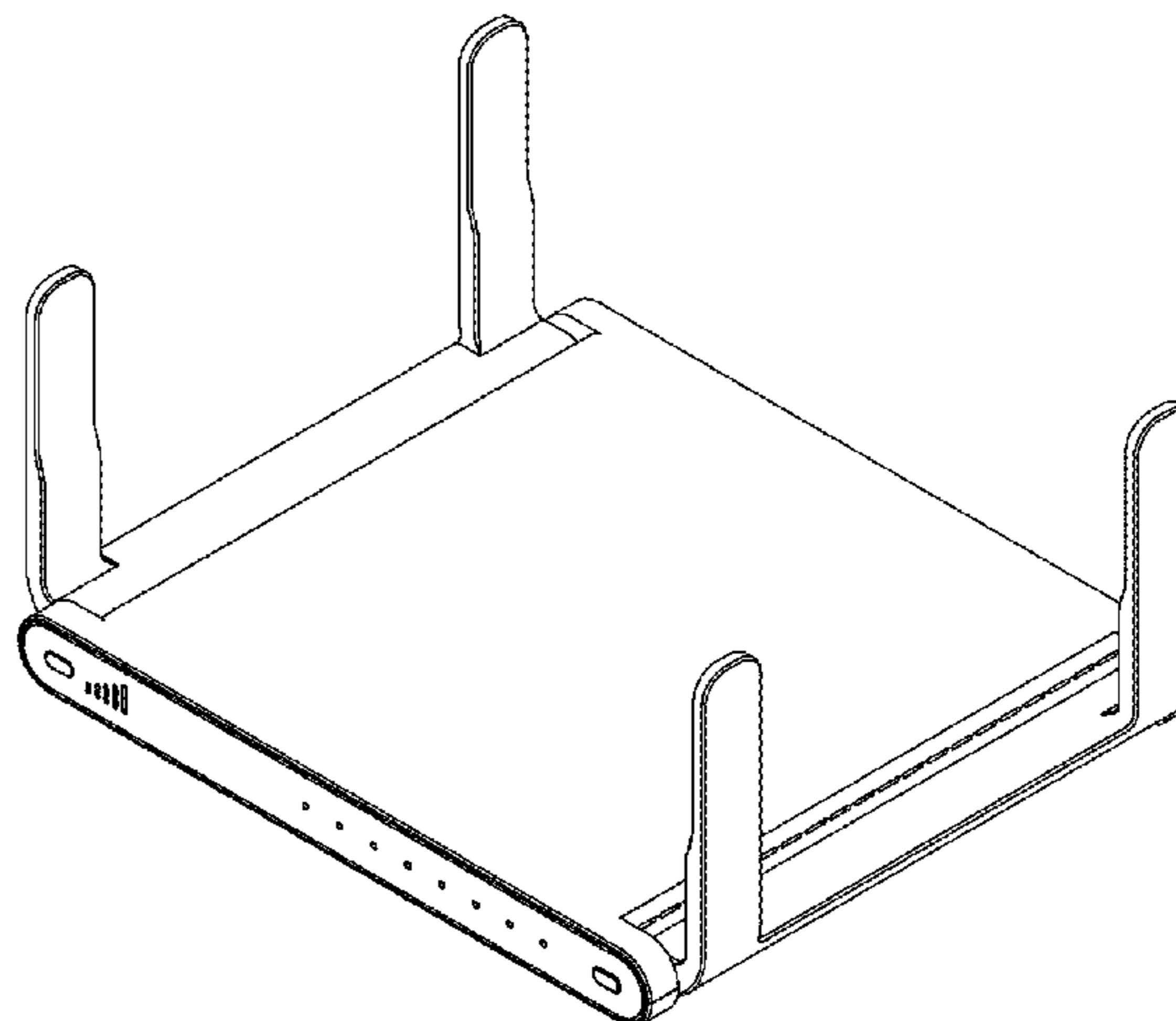
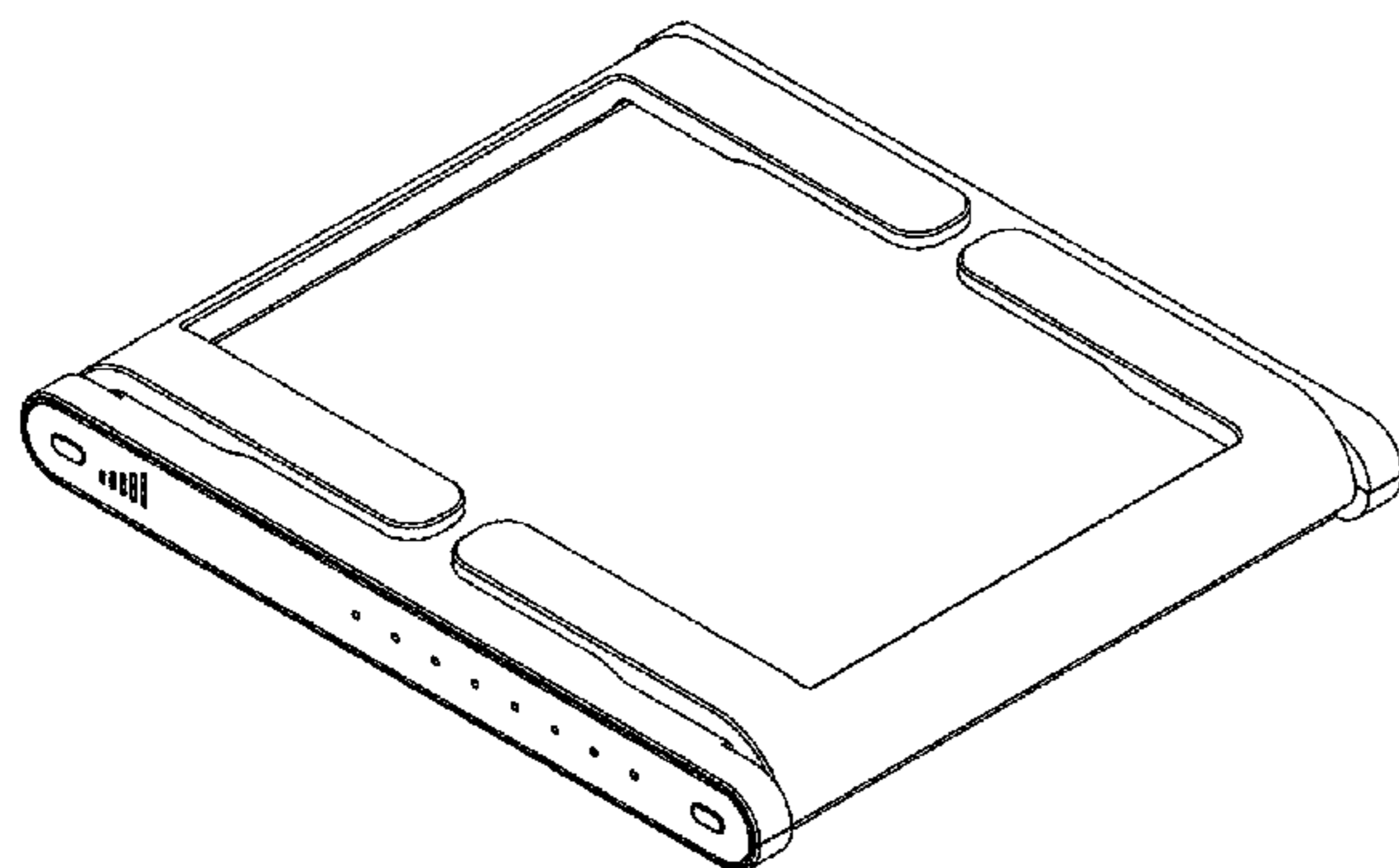
(57) **CLAIM**

The ornamental design for a router, as shown and described.

DESCRIPTION

FIG. 1 is a perspective view of a router;
FIG. 2 is a front elevational view thereof;
FIG. 3 is a rear elevational view thereof;
FIG. 4 is a left side elevational view thereof;
FIG. 5 is a right side elevational view thereof;
FIG. 6 is a top plan view thereof;
FIG. 7 is a bottom plan view thereof; and,
FIG. 8 is another perspective view in a state of use.

1 Claim, 8 Drawing Sheets



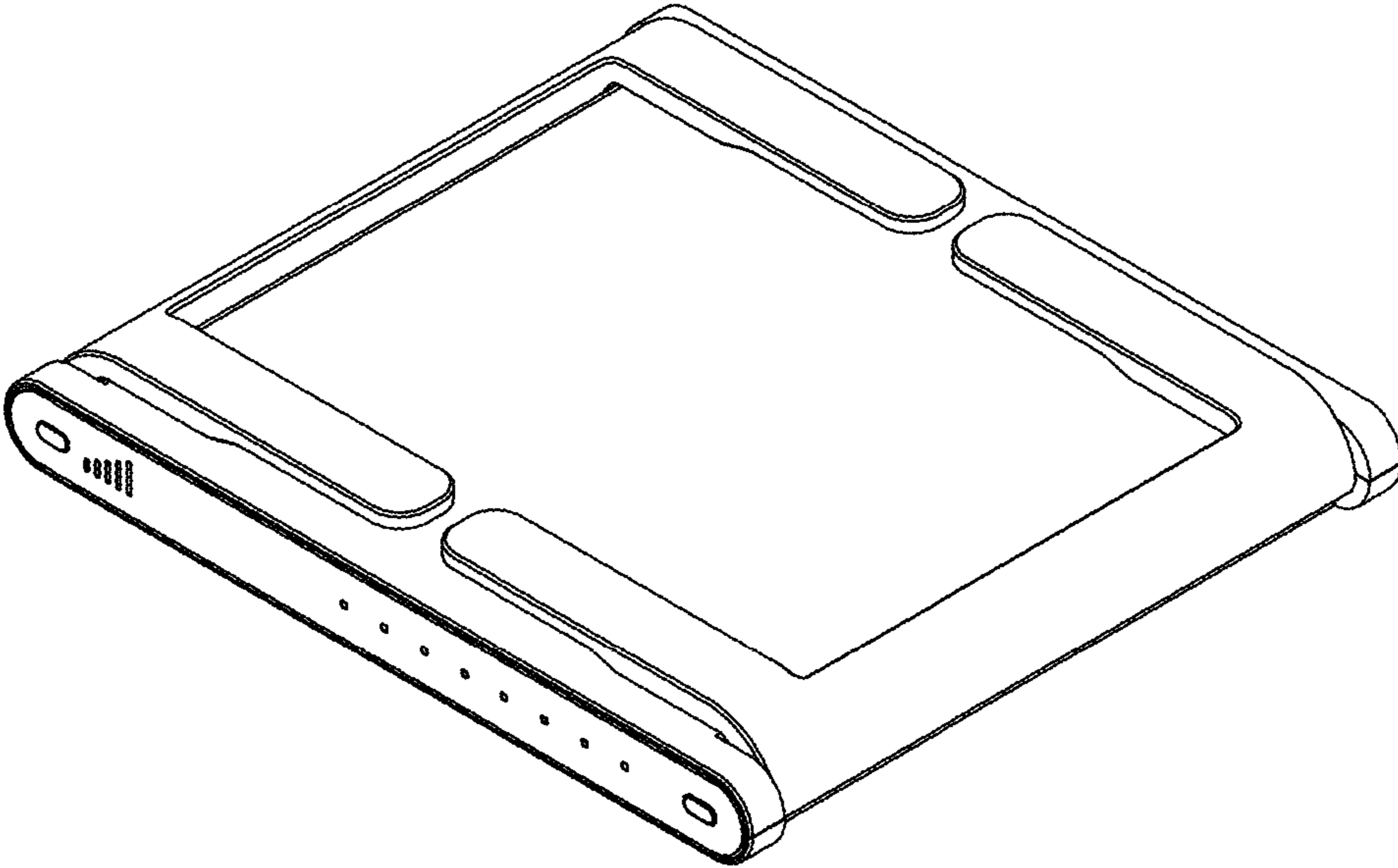


FIG.1

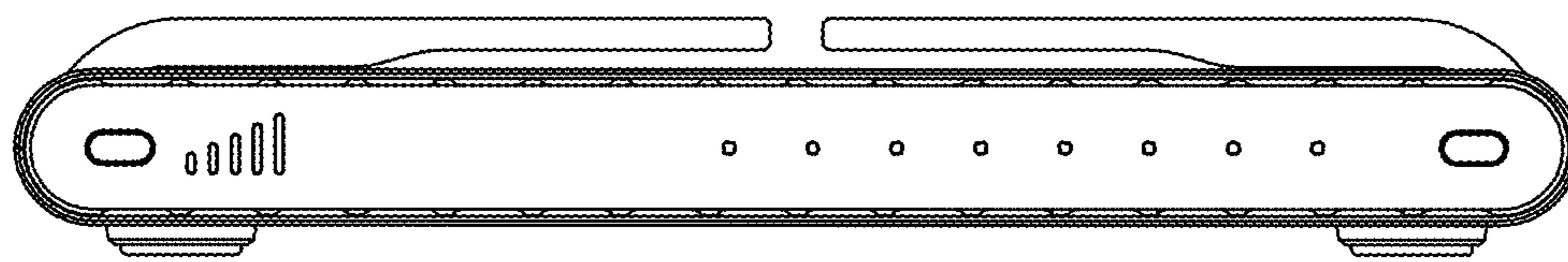


FIG.2

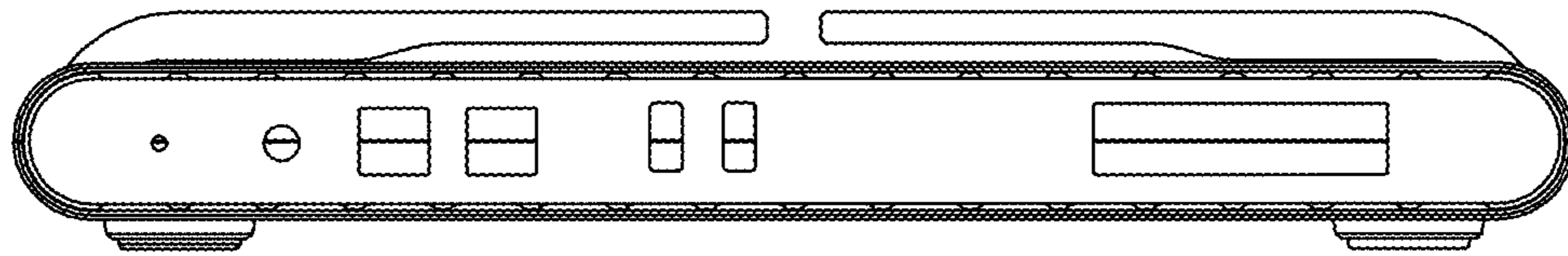


FIG.3

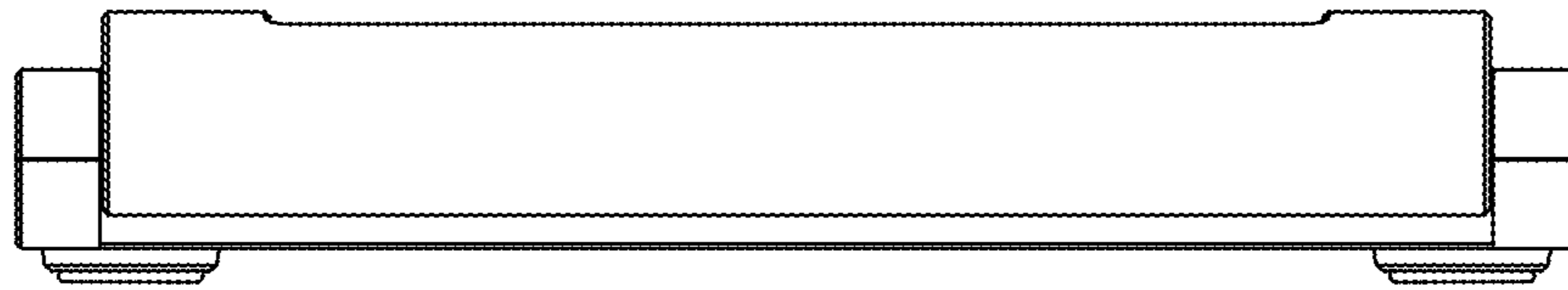


FIG.4

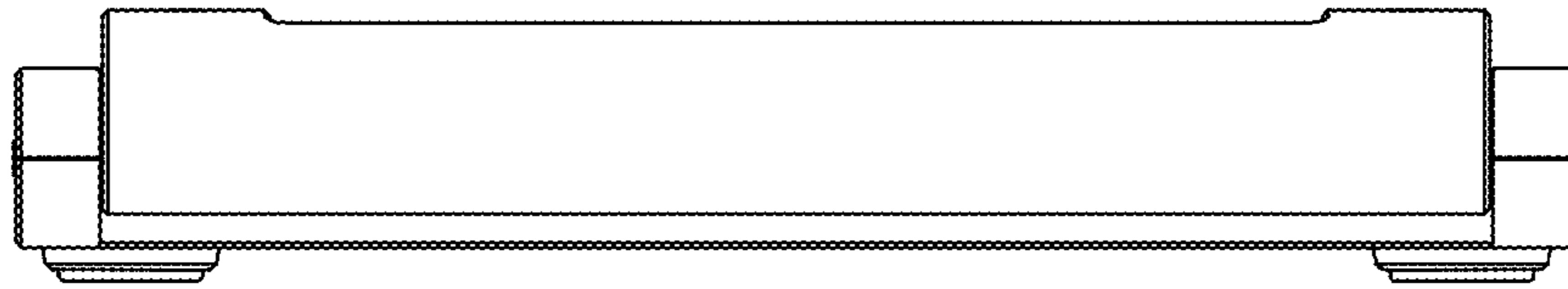


FIG.5

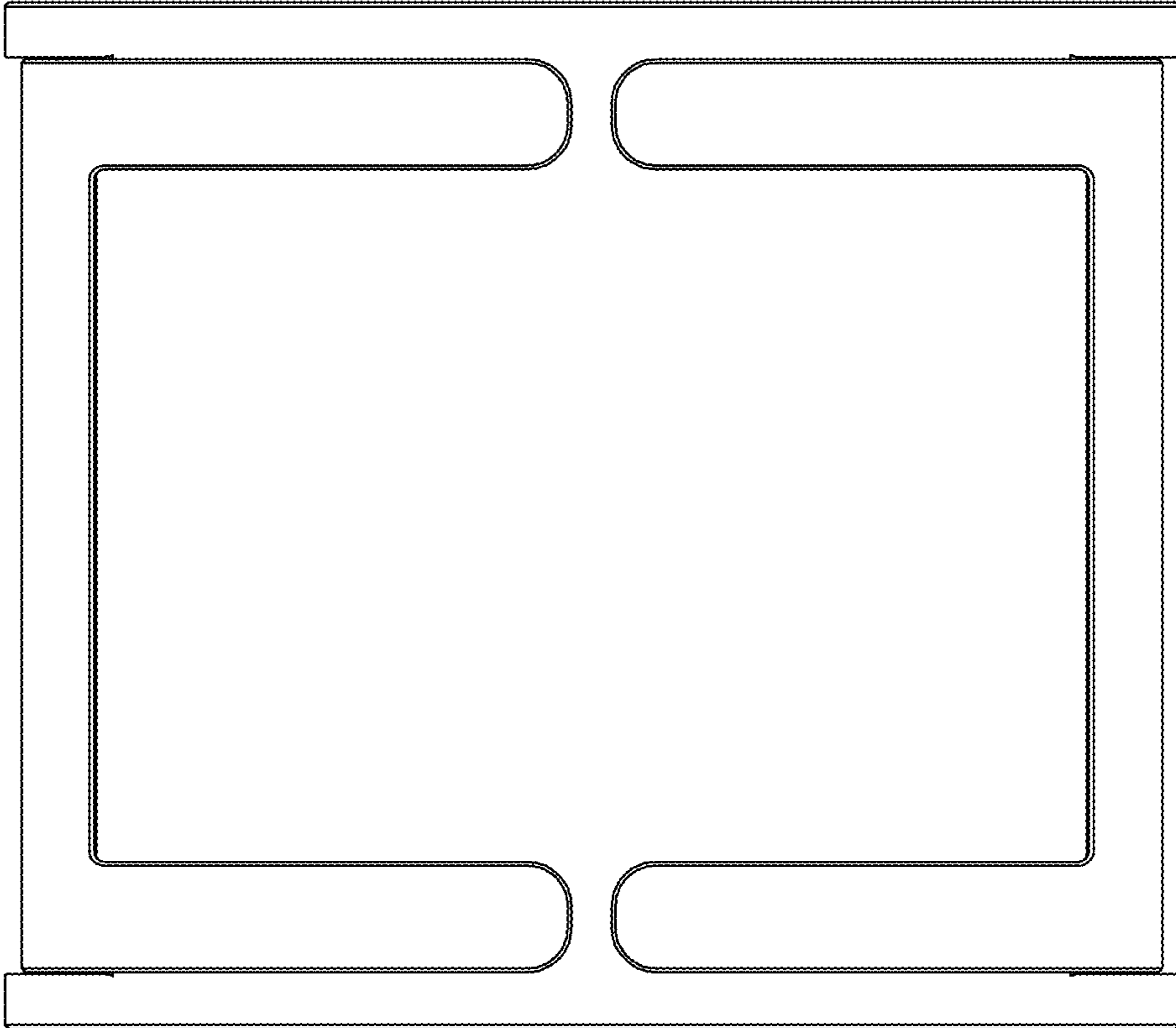


FIG.6

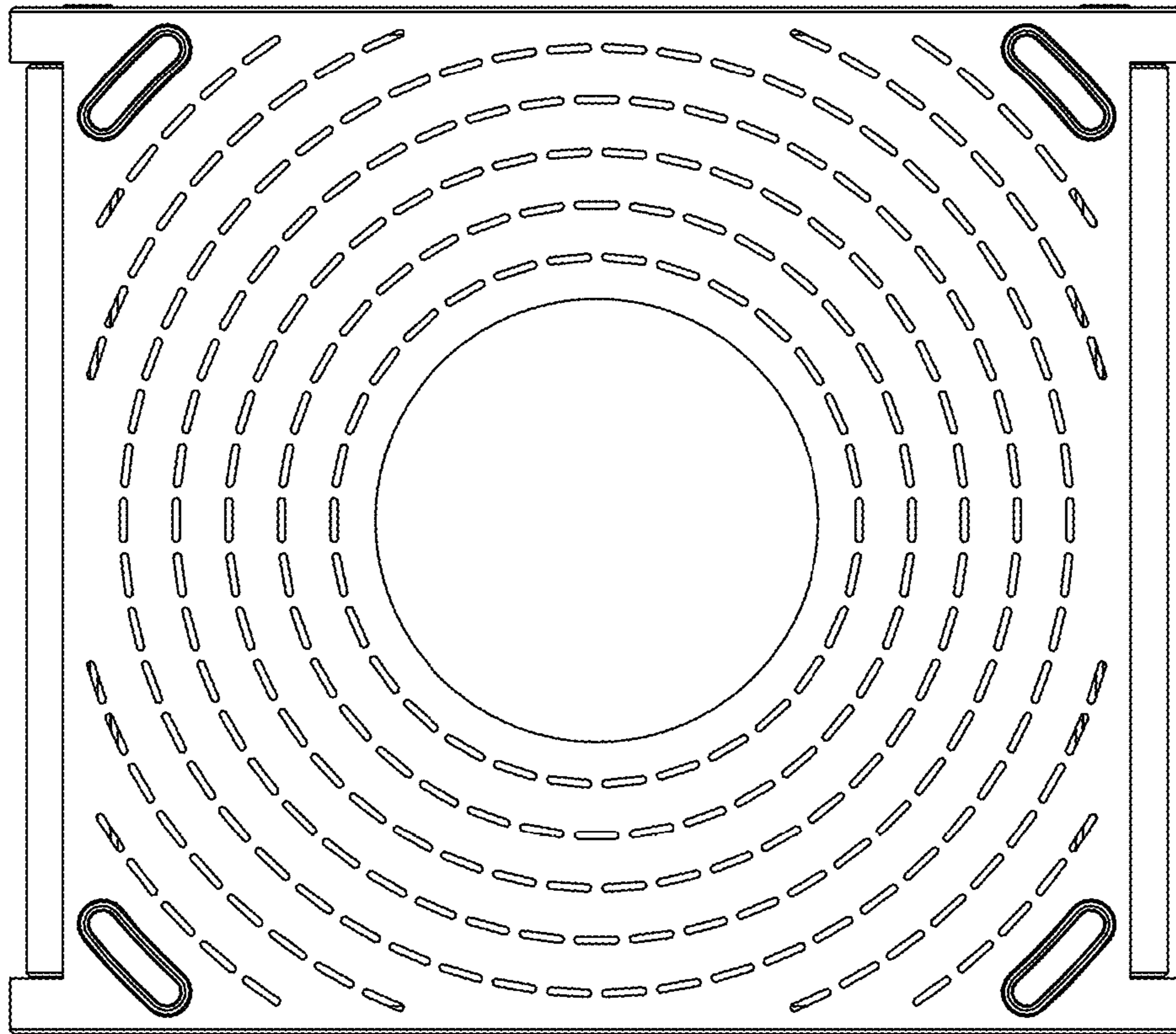


FIG.7

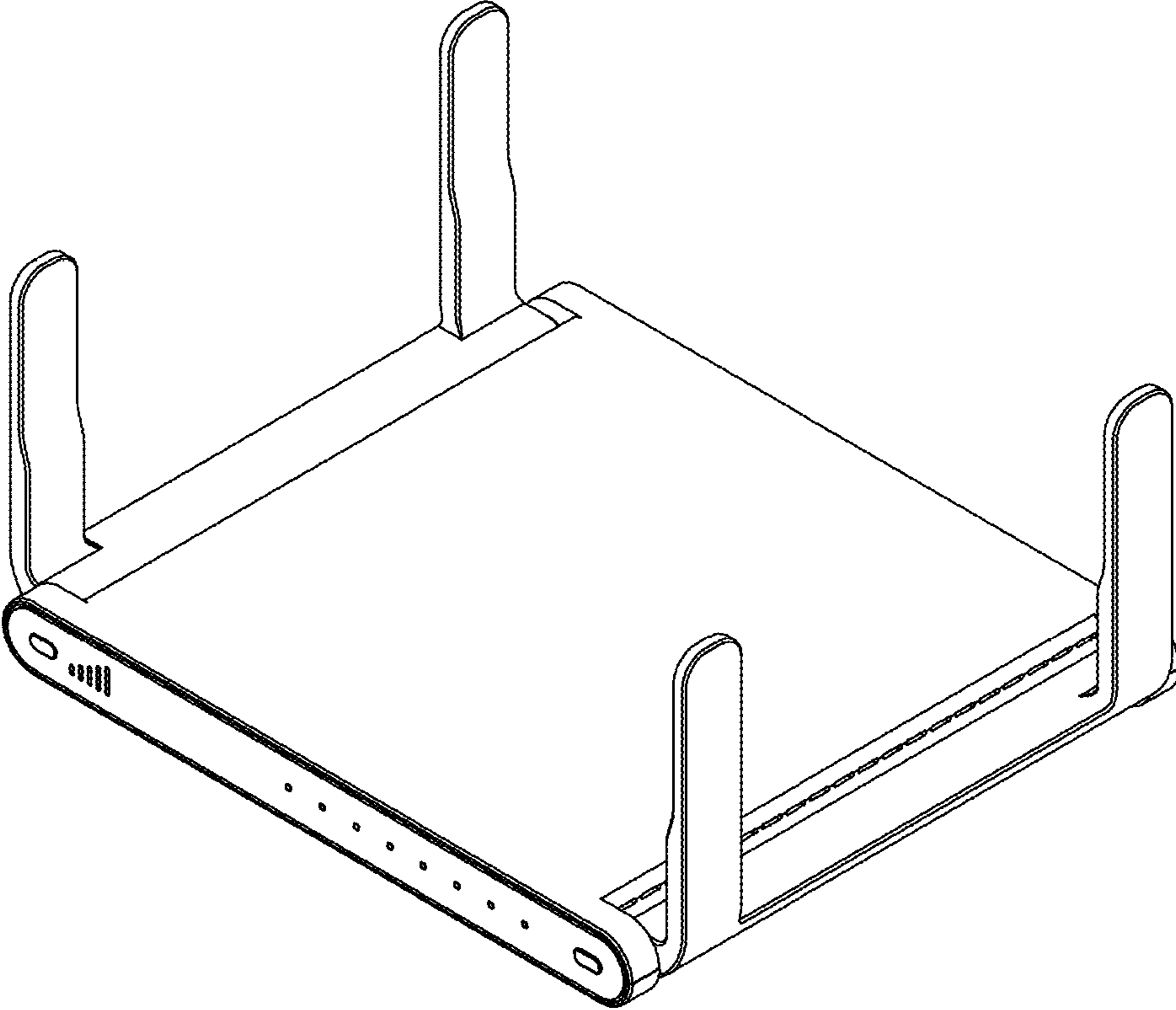


FIG.8