



US00D769226S

(12) **United States Design Patent** (10) **Patent No.:** **US D769,226 S**
Ito et al. (45) **Date of Patent:** **** Oct. 18, 2016**

(54) **DIGITAL MIXER**

(71) Applicant: **YAMAHA CORPORTION**,
Hamamatsu-shi, Shizuoka (JP)

(72) Inventors: **Masafumi Ito**, Hamamatsu (JP);
Takashi Honda, Nagoya (JP)

(73) Assignee: **YAMAHA CORPORATION**,
Hamamatsu-shi (JP)

(**) Term: **14 Years**

(21) Appl. No.: **29/511,485**

(22) Filed: **Dec. 11, 2014**

(51) **LOC (10) Cl.** **14-03**

(52) **U.S. Cl.**
USPC **D14/217**

(58) **Field of Classification Search**
USPC D14/217, 257, 258, 434, 496, 162, 167,
D14/175, 188, 196-198

CPC G06F 1/1626; G06F 1/1688; G10H 1/46;
G10H 1/0008; G10H 1/0025; G10H 3/186;
G10H 2210/125; G10H 2240/131; G10H
2240/175; G10H 2250/035; G10L 19/008;
G10L 19/167; H03G 3/00; H03G 3/04;
H03G 3/3005; H03G 3/3089; H03G 5/00;
H03G 5/005; H03G 5/025; H03G 9/18;
G11B 19/02; G11B 20/10527; G11B 27/00;
G11B 27/34; G11B 27/031; G11B 27/034;
G11B 27/038; G11B 27/105; G11B 33/025;
H04H 3/186; H04H 60/04; H04H 60/05;
H04H 60/91; H04R 3/00; H04R 3/005;
H04R 5/04; H04R 2205/021; H04R 2499/11

See application file for complete search history.

(56) **References Cited**

U.S. PATENT DOCUMENTS

D588,580 S *	3/2009	Chisholm	D14/217
D609,220 S *	2/2010	Ito	D14/217
D616,868 S *	6/2010	Ito	D14/217
D647,880 S *	11/2011	Huber	D14/217
D723,006 S *	2/2015	Pat	D14/217
D730,324 S *	5/2015	Ito	D14/217
D748,607 S *	2/2016	Ito	D14/217

* cited by examiner

Primary Examiner — Daniel Bui

Assistant Examiner — Khawaja Anwar

(74) *Attorney, Agent, or Firm* — Sughrue Mion, PLLC

(57) **CLAIM**

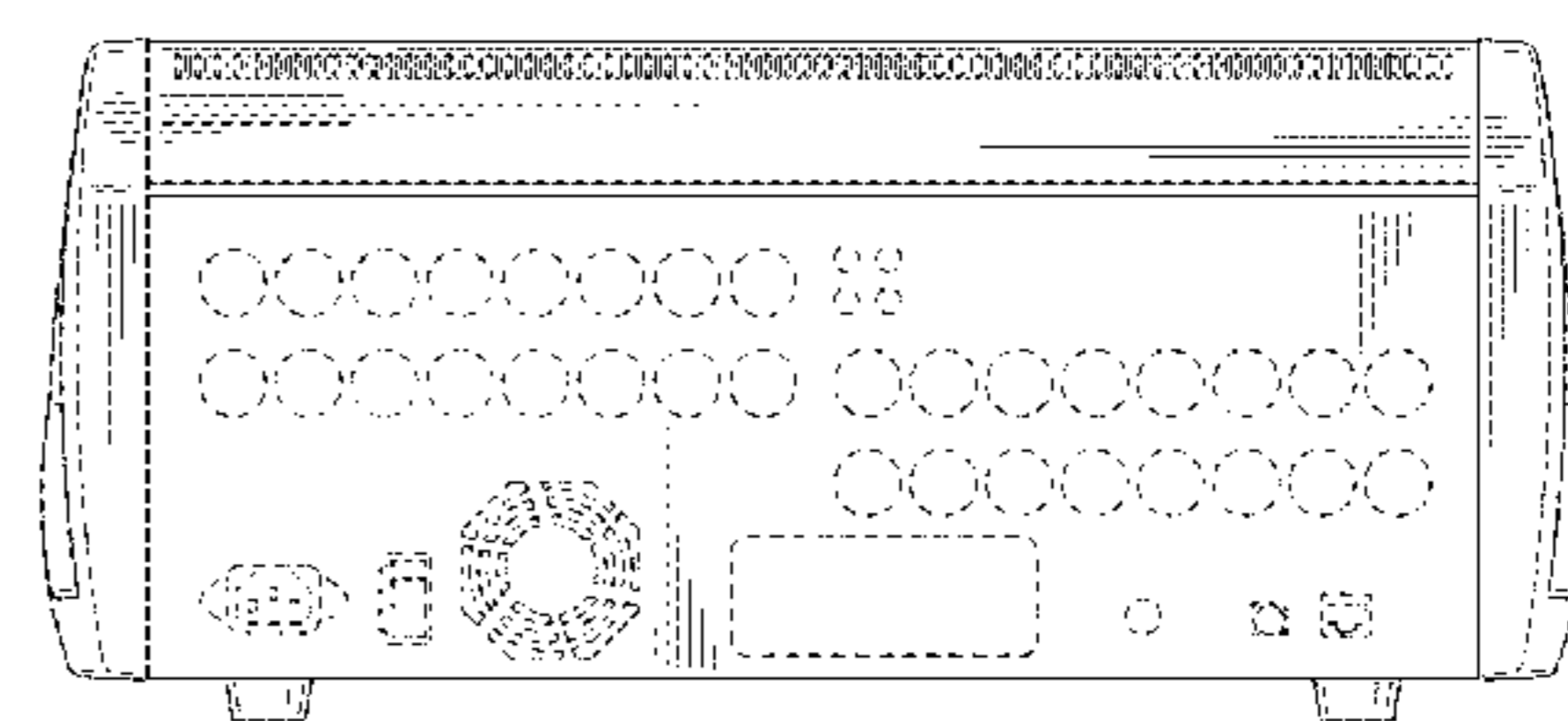
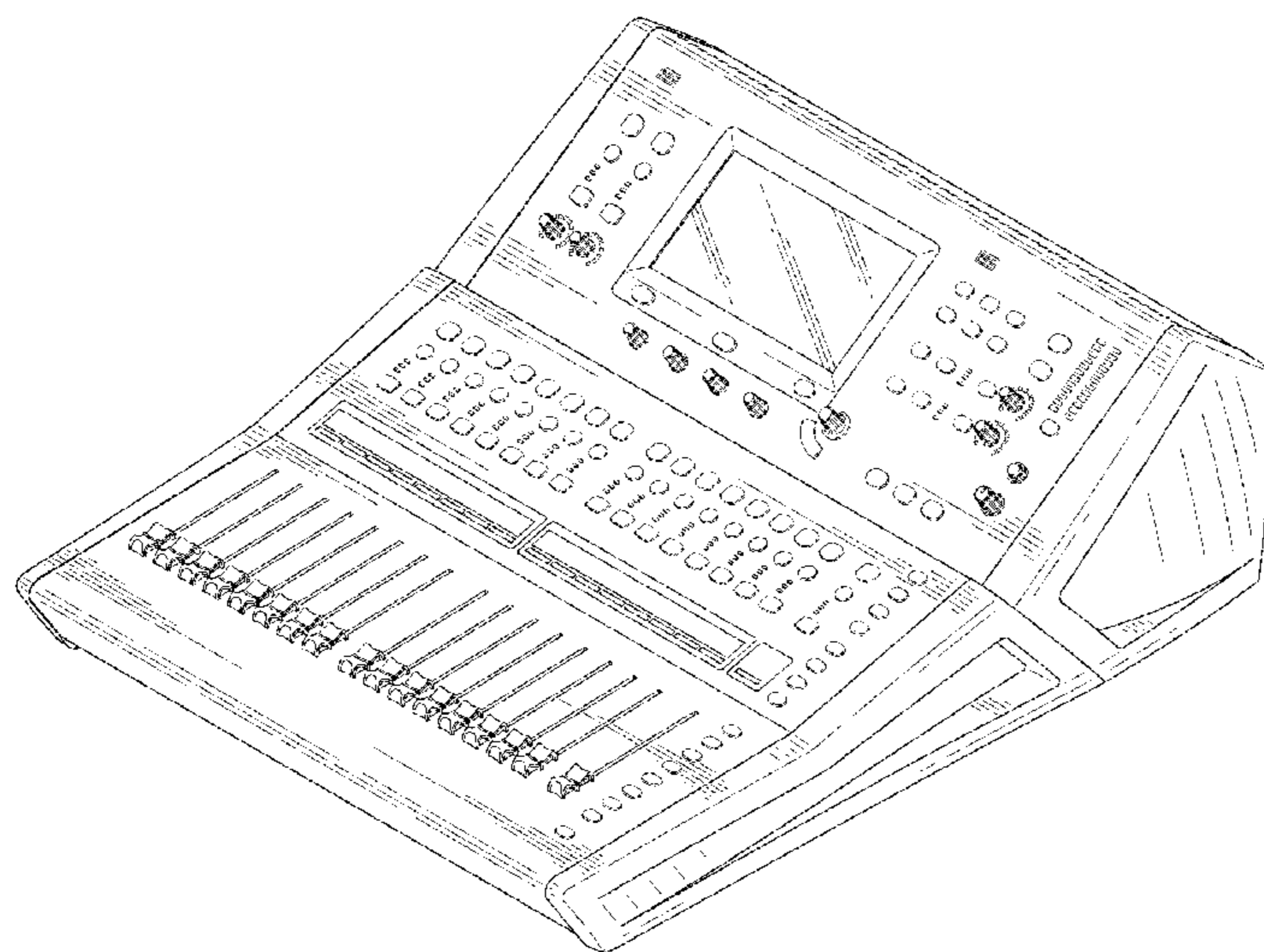
The ornamental design for a digital mixer, as shown and described.

DESCRIPTION

FIG. 1 is a perspective view of the front, top and right side of a digital mixer showing our new design;
FIG. 2 is a front view thereof;
FIG. 3 is a rear view thereof;
FIG. 4 is a left side view thereof;
FIG. 5 is a right side view thereof;
FIG. 6 is a top plan view thereof; and,
FIG. 7 is a bottom view thereof.

The broken lines shown are included for the purpose of illustrating the unclaimed portions of a digital mixer and form no part of the claimed design.

1 Claim, 4 Drawing Sheets



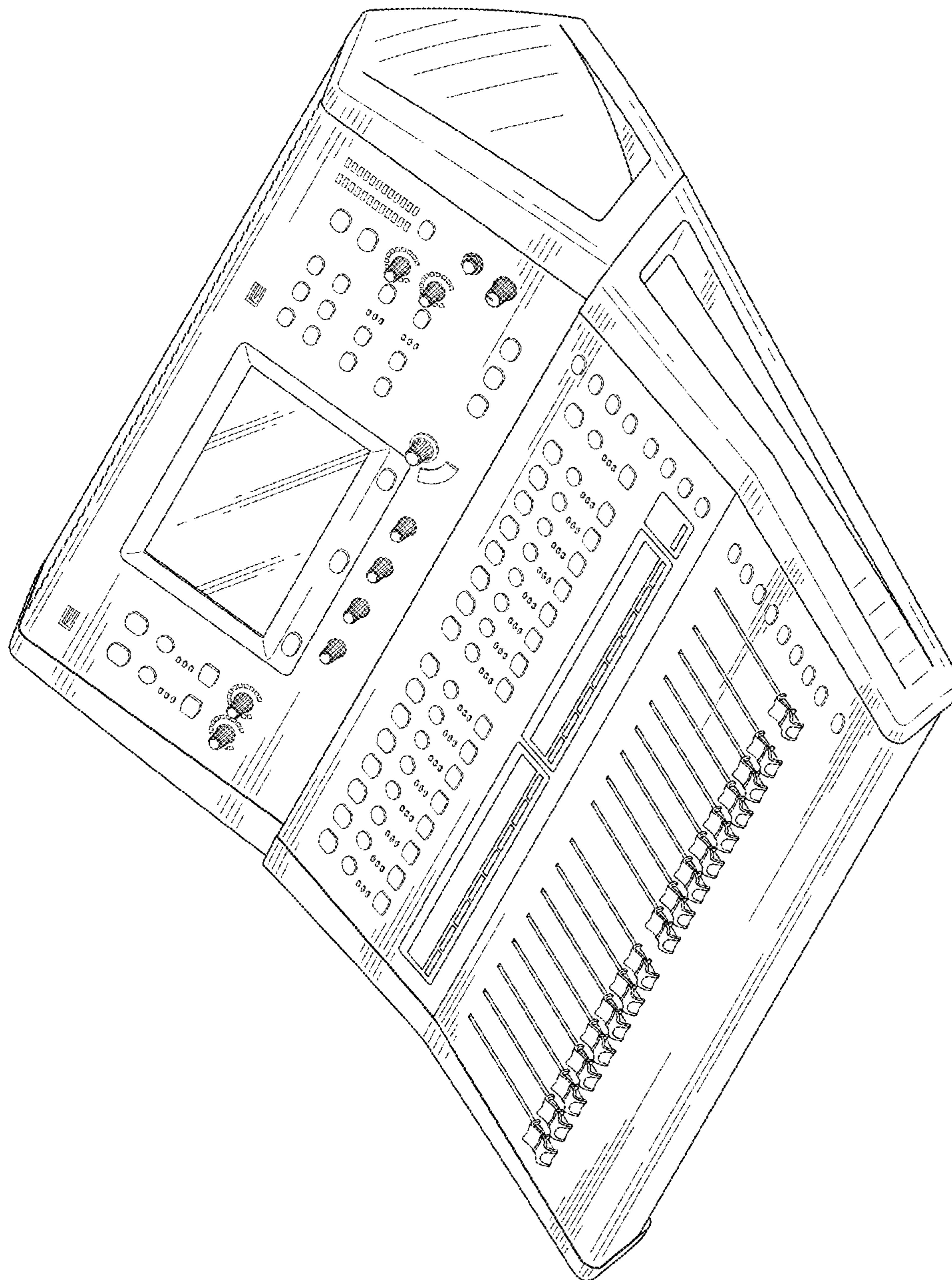


FIG. 1

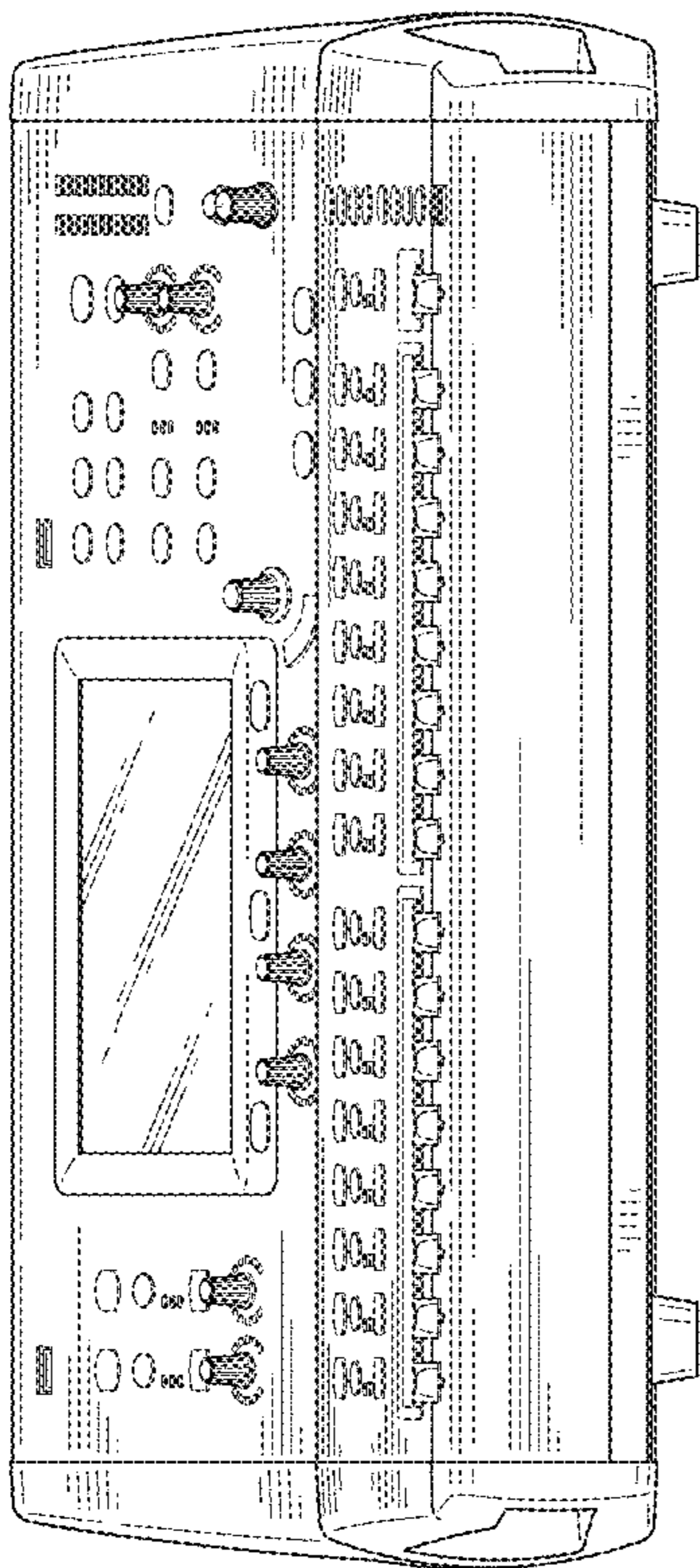


FIG. 2

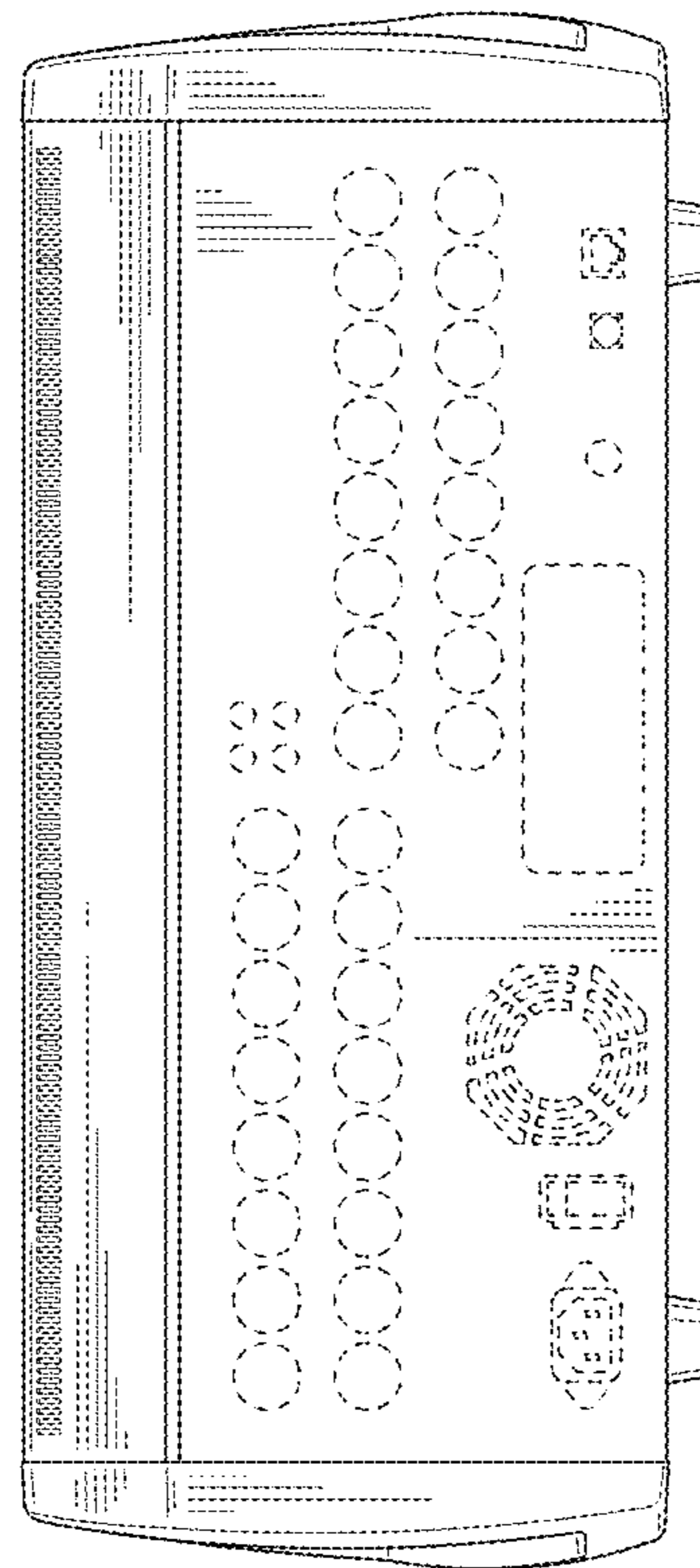


FIG. 3

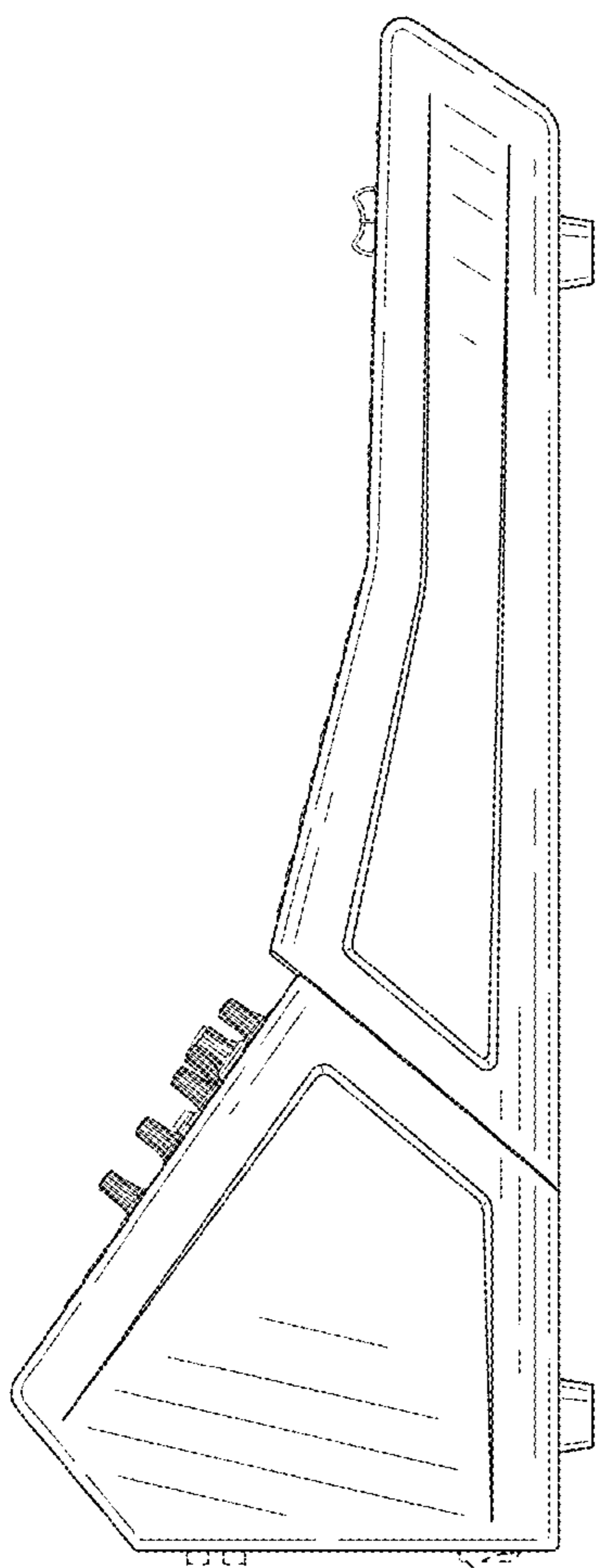


FIG. 4

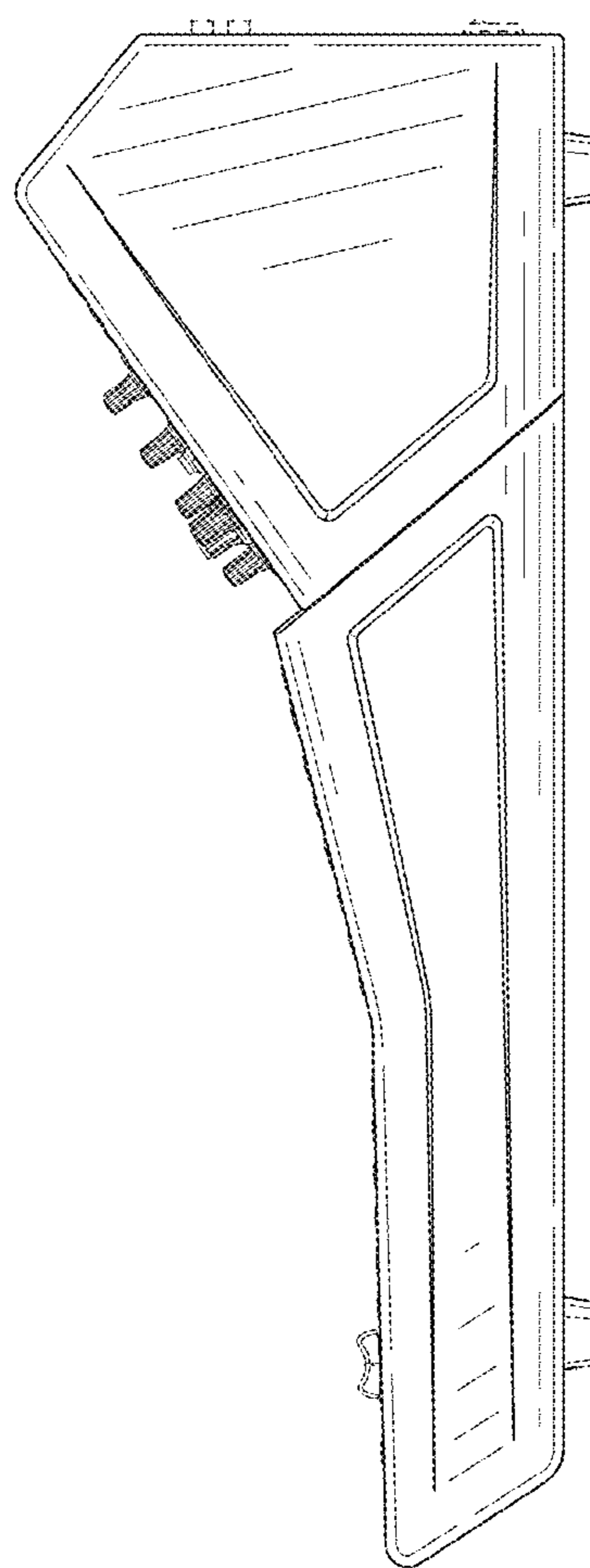


FIG. 5

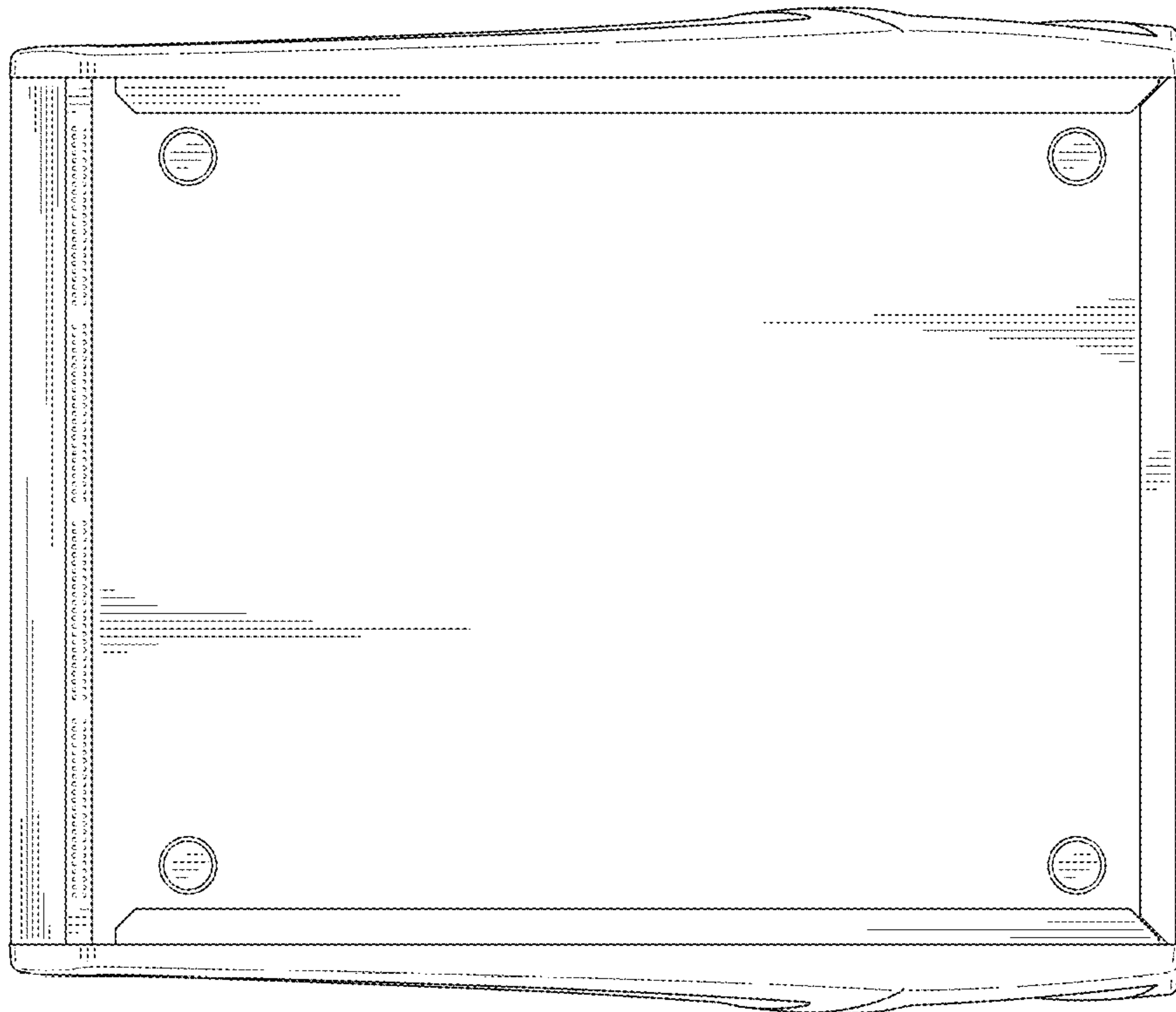


FIG. 7

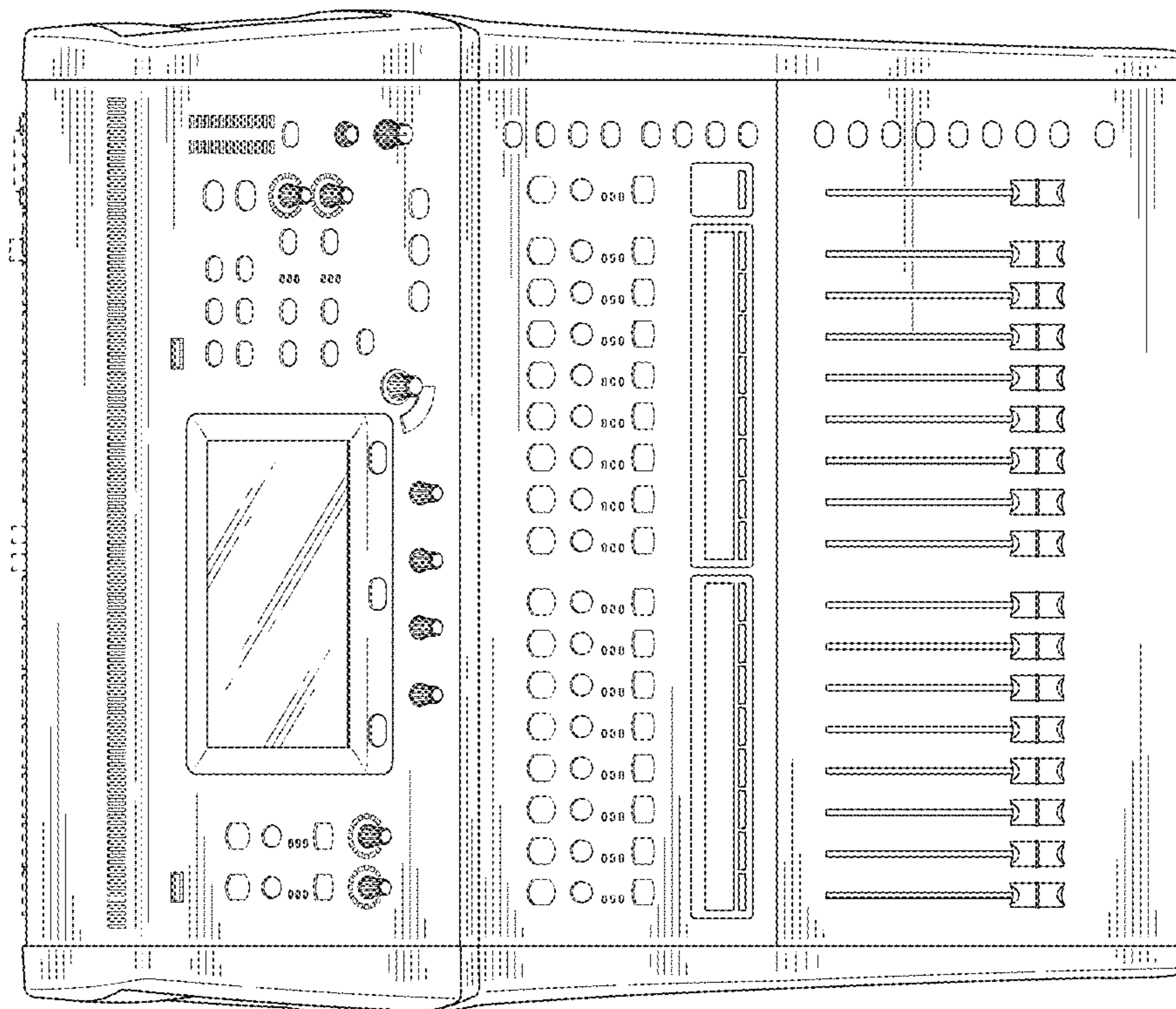


FIG. 6