



US00D769225S

(12) **United States Design Patent**
Hua

(10) **Patent No.:** **US D769,225 S**

(45) **Date of Patent:** **** Oct. 18, 2016**

(54) **AUDIO SPEAKER**

2201/021; H04R 2400/00; H04R 2400/07;
H04R 2499/11; H04R 2499/13; H04R
2499/15; H04S 3/00; H04S 7/30

(71) Applicant: **Shenzhen Xihuamei Electronic Limited CO. Ltd**, Shenzhen (CN)

See application file for complete search history.

(72) Inventor: **Zhao Bao Hua**, Shenzhen (CN)

(56) **References Cited**

(73) Assignee: **SHENZHEN XINHUAMEI ELECTRONIC LIMITED CO. LTD.**, Shenzhen (CN)

U.S. PATENT DOCUMENTS

(**) Term: **15 Years**

D474,169	S	*	5/2003	Fletcher	D14/159
D602,911	S	*	10/2009	Wang	D14/216
D678,284	S	*	3/2013	Coulter	D14/412
D719,138	S	*	12/2014	Schwartz	D14/216
D742,359	S	*	11/2015	Zhao	D14/216
2014/0064535	A1	*	3/2014	Zhao	H04R 1/021 381/332

(21) Appl. No.: **29/537,010**

* cited by examiner

(22) Filed: **Aug. 21, 2015**

Primary Examiner — Keli L Hill

(51) **LOC (10) Cl.** **14-03**

(74) *Attorney, Agent, or Firm* — Peters Verny, LLP

(52) **U.S. Cl.**
USPC **D14/216**

(58) **Field of Classification Search**
USPC D14/167, 168, 170–172, 188, 194–196,
D14/204, 207, 209.1, 210–216, 219, 221,
D14/222, 224, 239, 496; 181/143, 144, 147,
181/148, 150, 153, 157, 198, 199;
381/300–303, 306, 332, 333, 336, 345,
381/361–364, 386–388; 369/6–12
CPC ... B60R 11/0217; G06F 1/1688; G10K 9/22;
G10K 11/004; H03F 1/327; H04M 1/03;
H04M 1/035; H04N 5/642; H04N 21/4852;
H04R 1/02; H04R 1/06; H04R 1/021; H04R
1/025; H04R 1/026; H04R 1/028; H04R
1/105; H04R 1/323; H04R 1/403; H04R
1/2803; H04R 1/2834; H04R 5/02; H04R
7/20; H04R 9/06; H04R 9/025; H04R

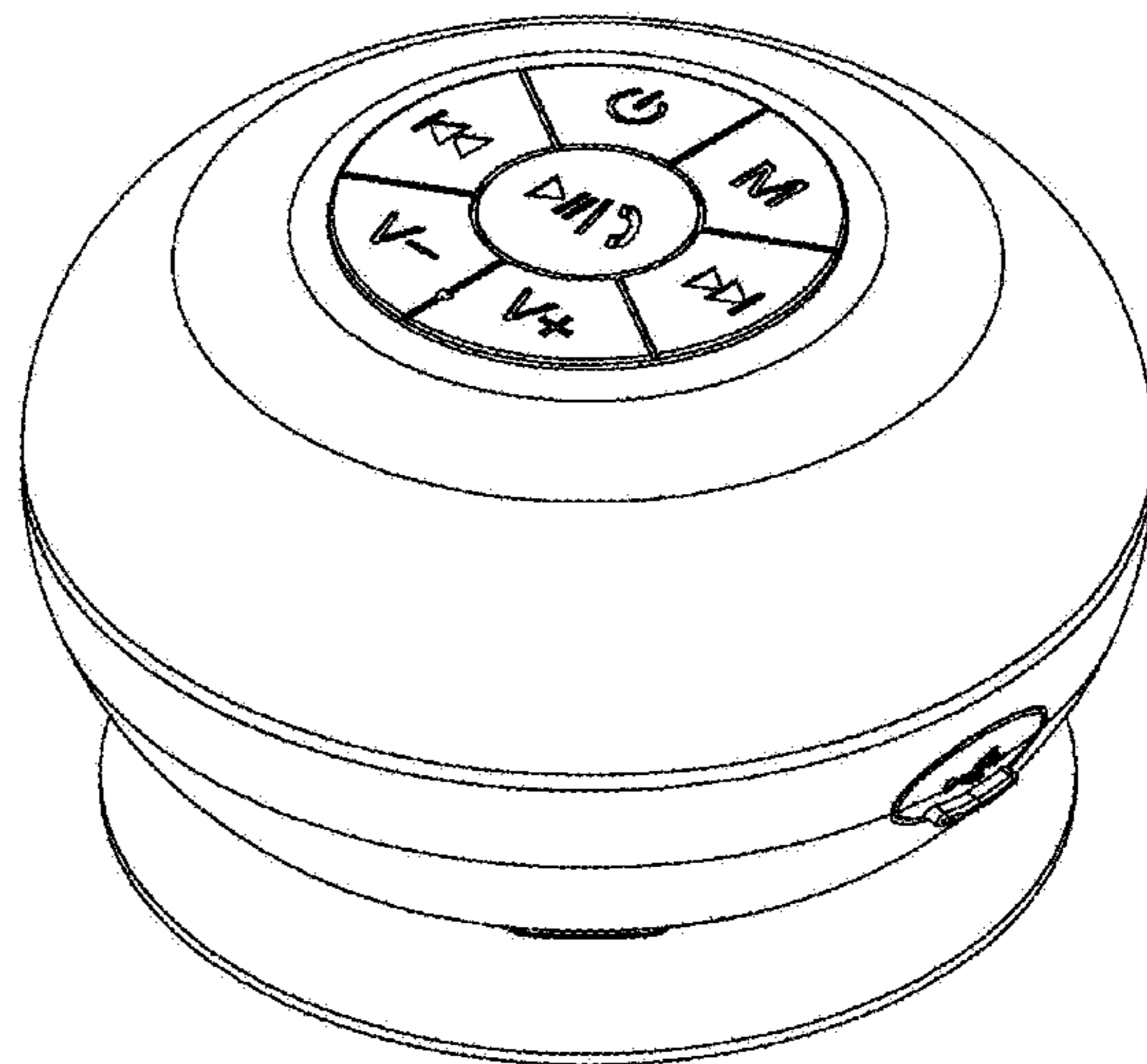
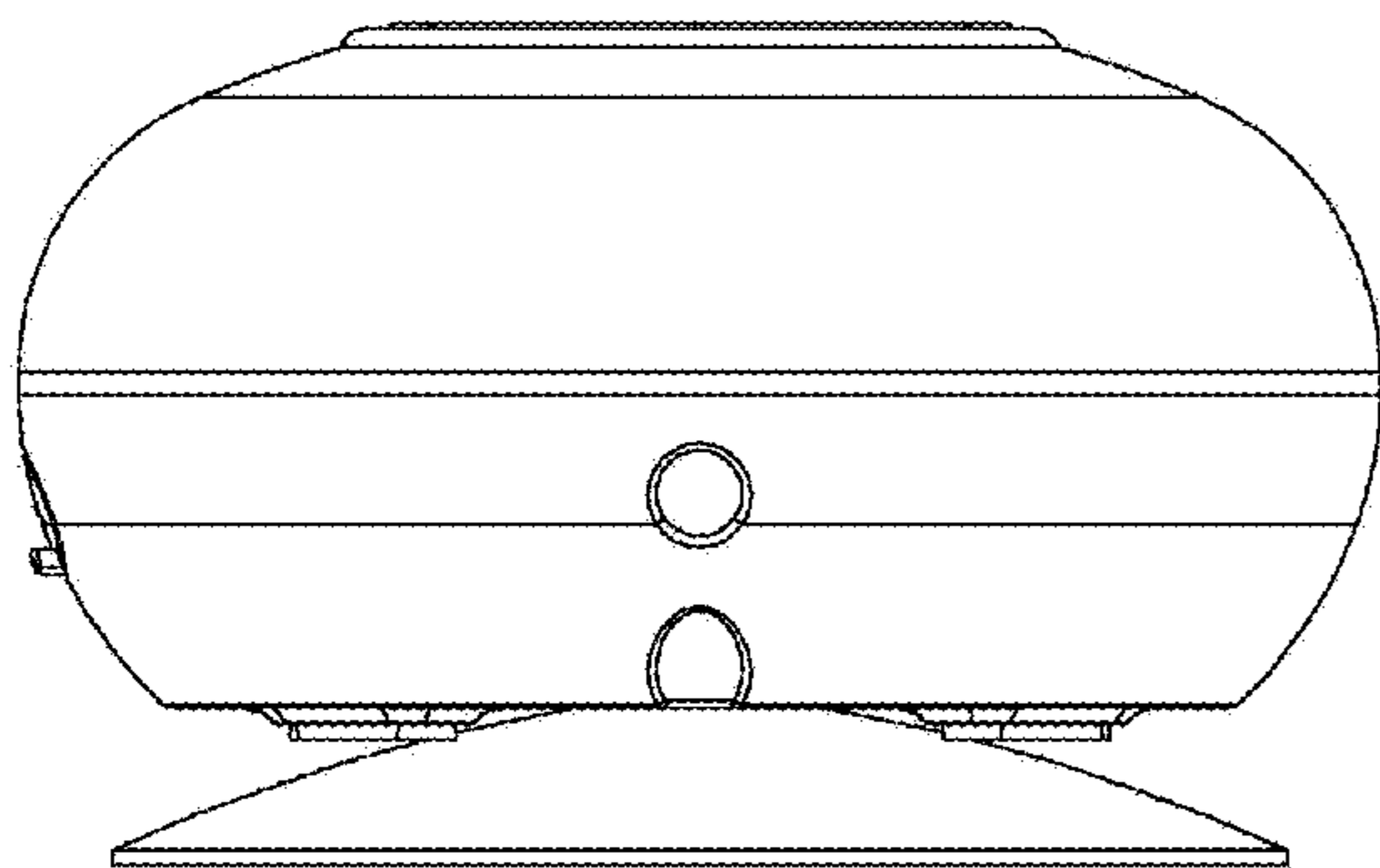
(57) **CLAIM**

I claim the ornamental design for an audio speaker, as shown.

DESCRIPTION

FIG. 1 is a top view of the audio speaker.
FIG. 2 is a bottom view of the audio speaker.
FIG. 3 is a right side view of the audio speaker.
FIG. 4 is a left side view of the audio speaker.
FIG. 5 is a front side view of the audio speaker.
FIG. 6 is a back side view of the audio speaker; and,
FIG. 7 is a perspective view of the audio speaker.

1 Claim, 7 Drawing Sheets



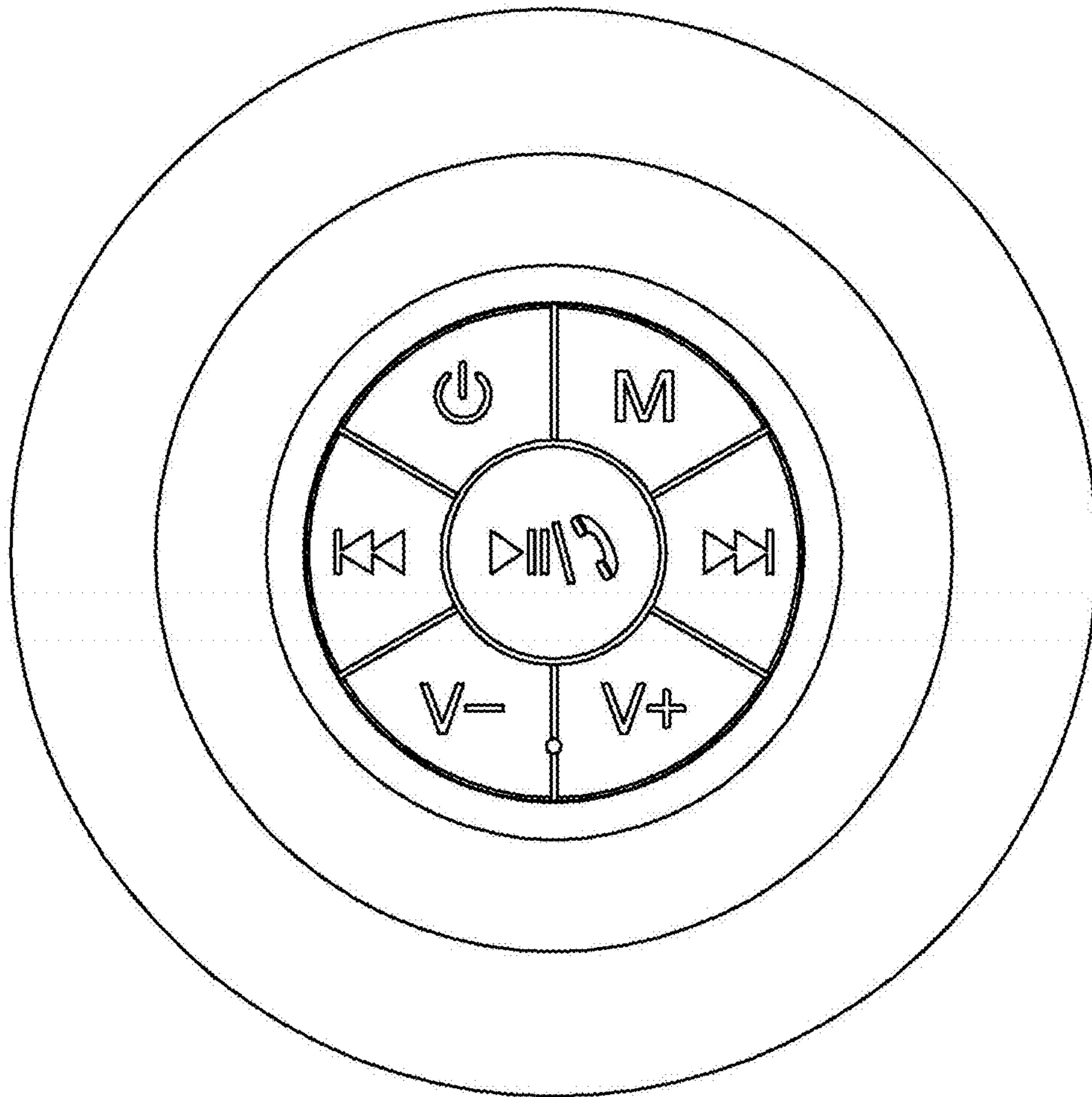


FIG. 1

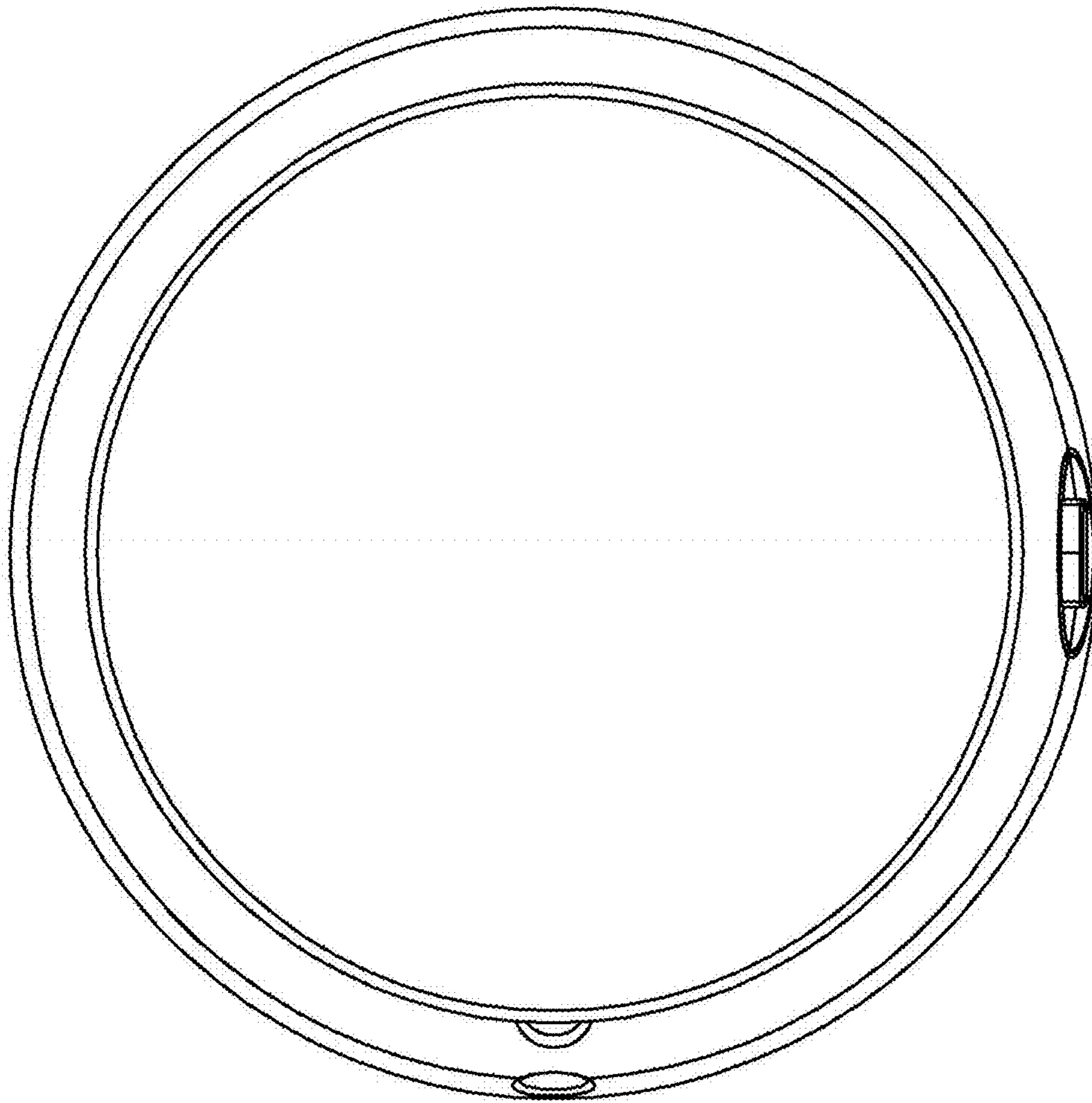


FIG. 2

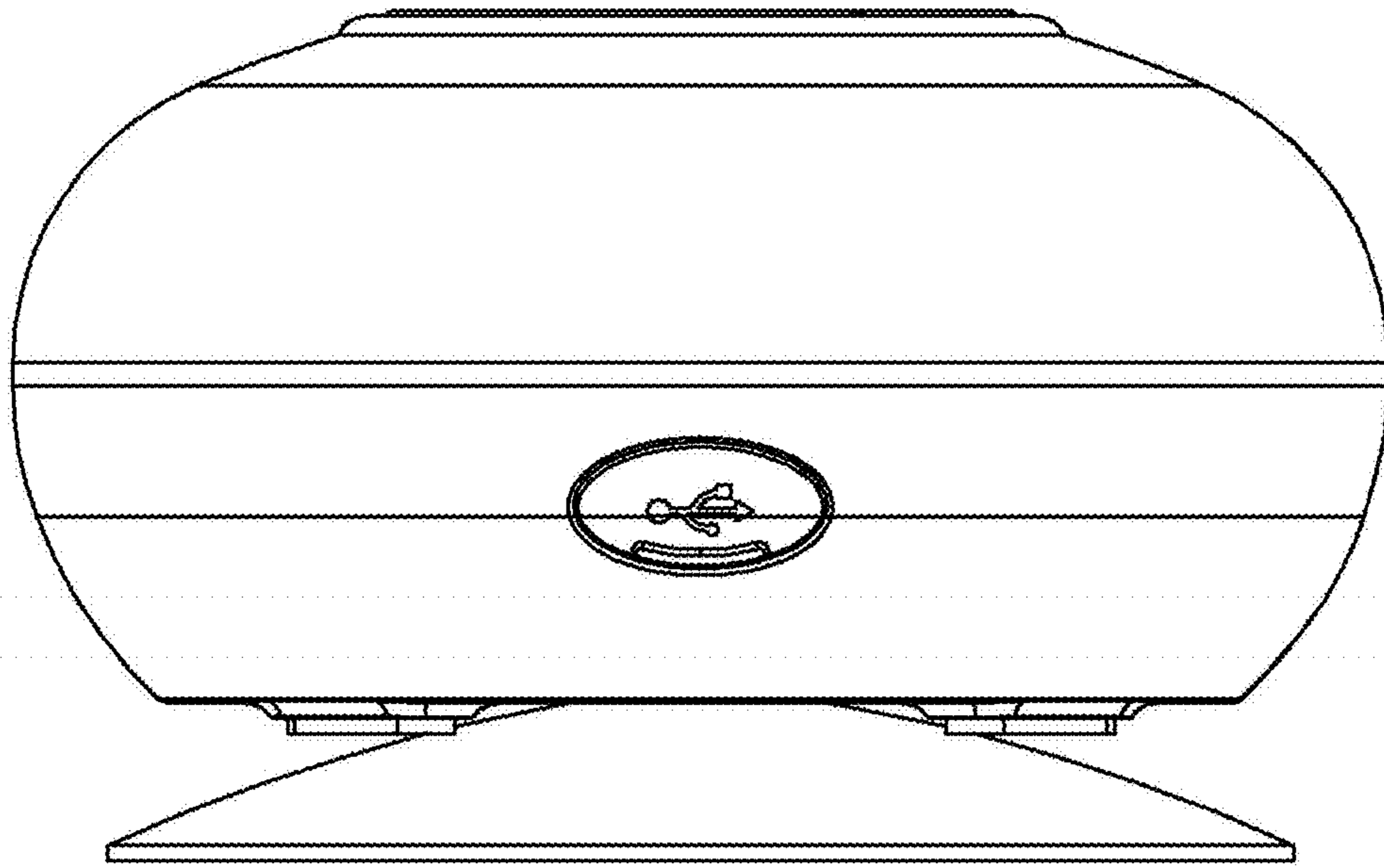


FIG. 3

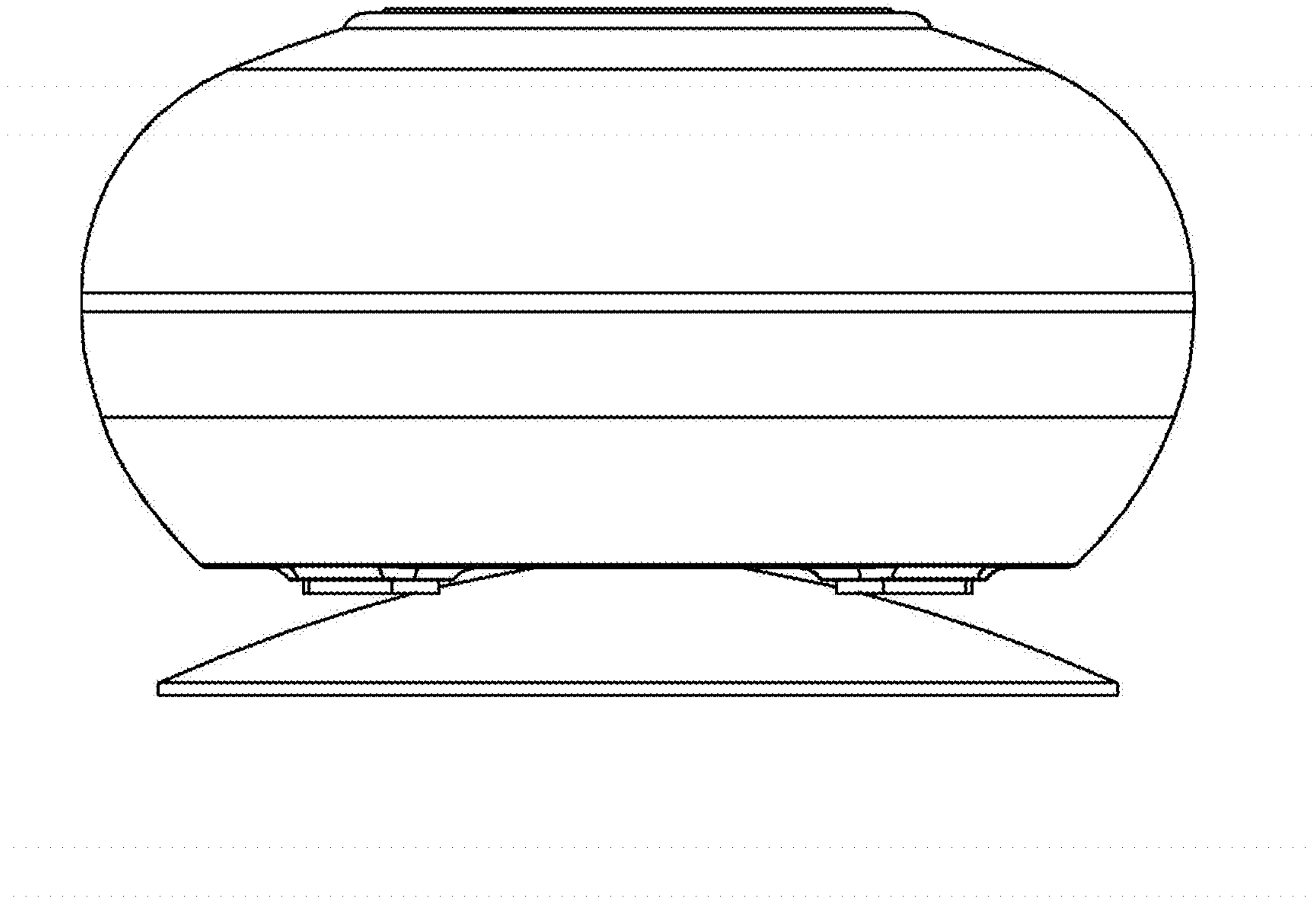


FIG. 4

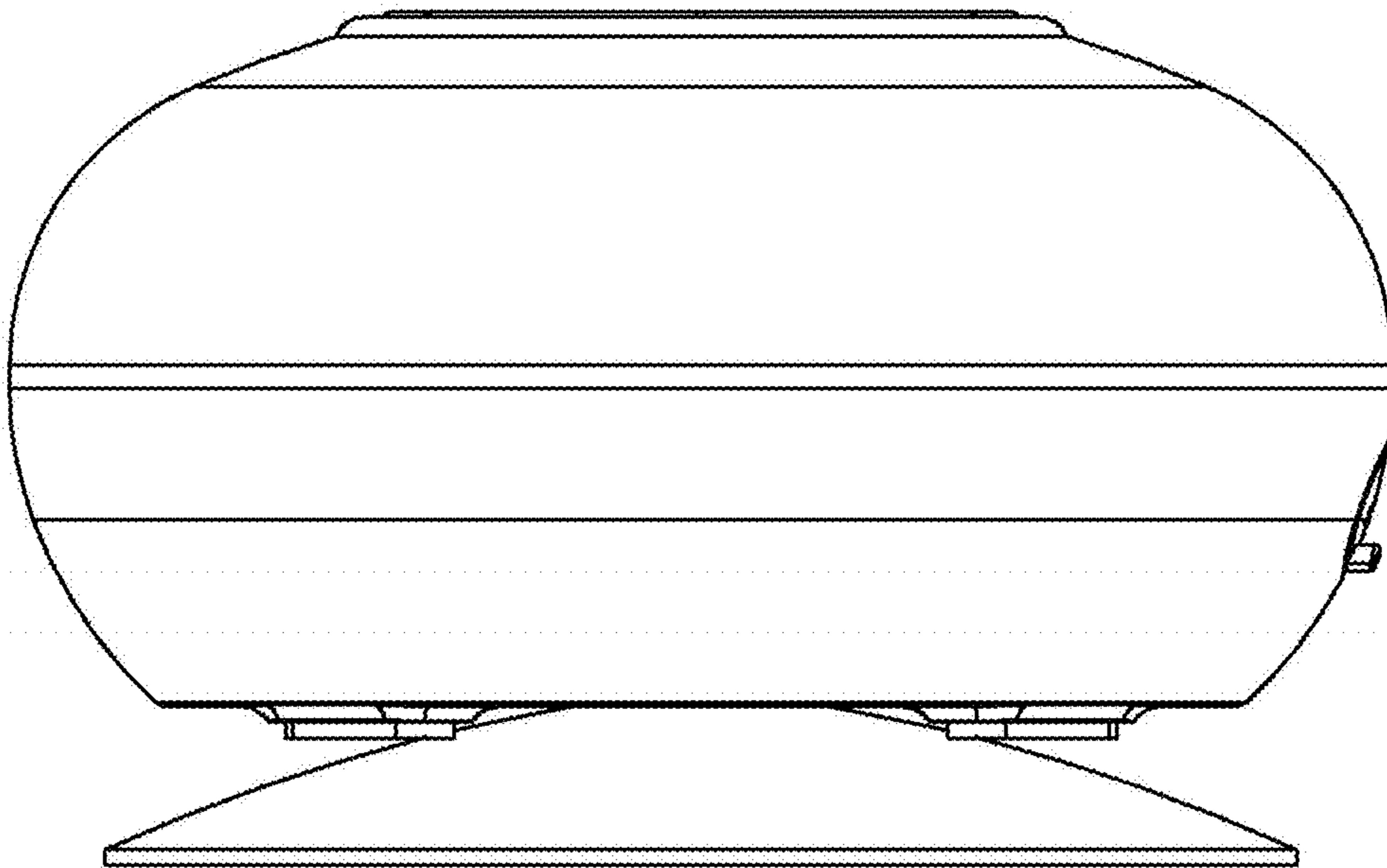


FIG. 5

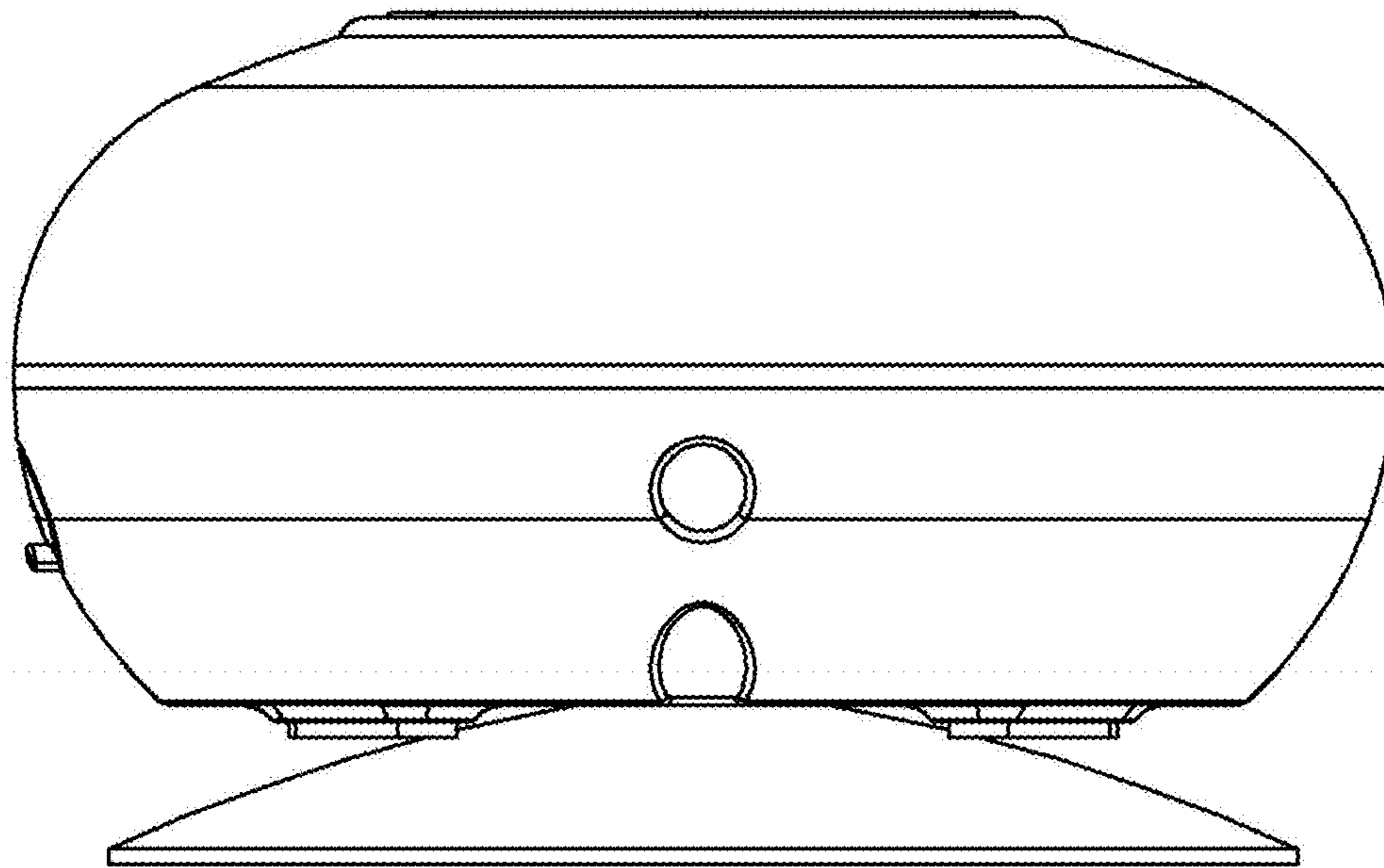


FIG. 6

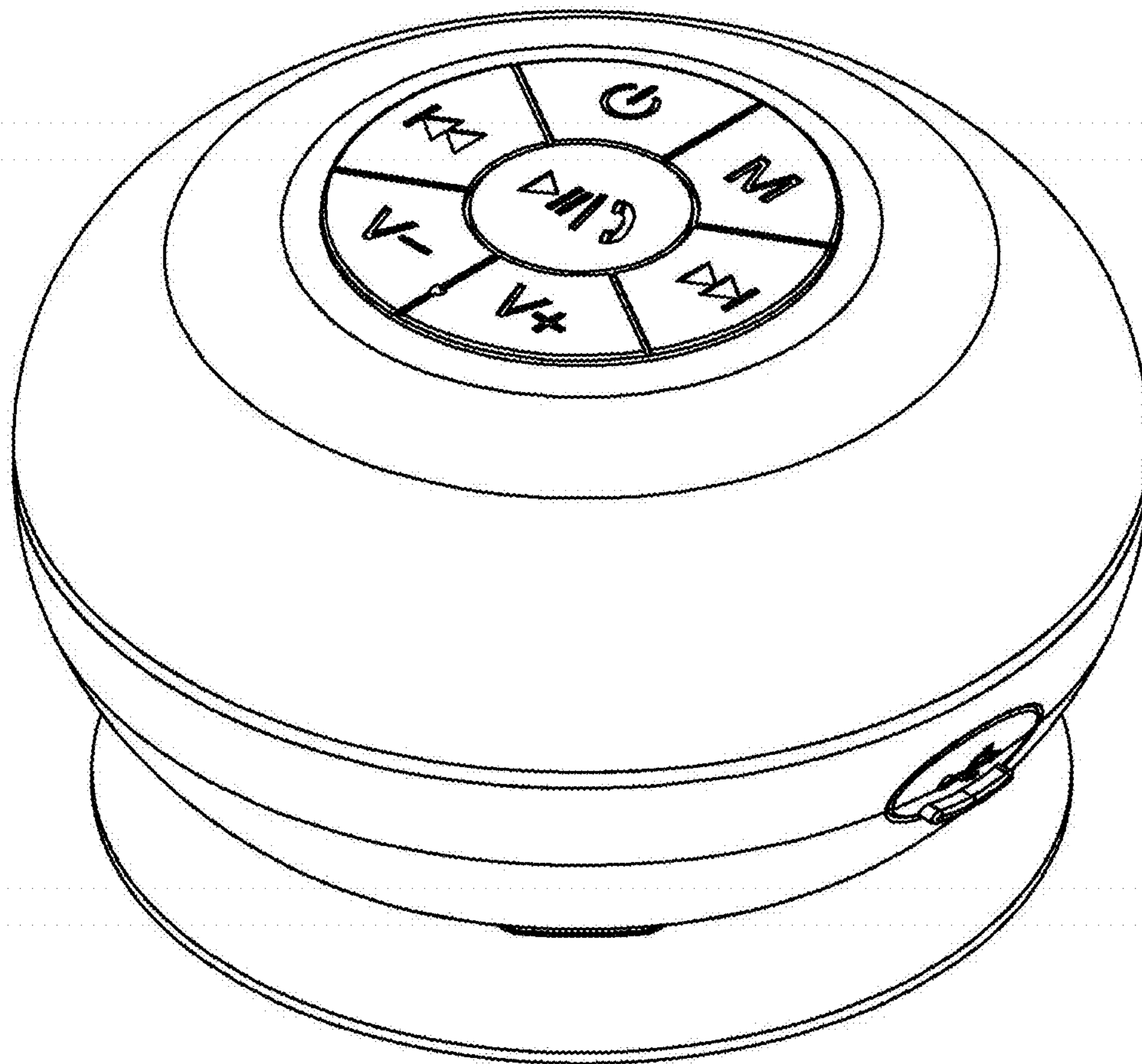


FIG. 7