



US00D769224S

(12) **United States Design Patent**
Xu

(10) **Patent No.:** **US D769,224 S**
(45) **Date of Patent:** **** Oct. 18, 2016**

(54) **BLUETOOTH SPEAKER**

(71) Applicant: **Ken Xu**, Zhejiang (CN)

(72) Inventor: **Ken Xu**, Zhejiang (CN)

(**) Term: **15 Years**

(21) Appl. No.: **29/533,558**

(22) Filed: **Jul. 20, 2015**

(51) **LOC (10) Cl.** **14-03**

(52) **U.S. Cl.**
USPC **D14/215**

(58) **Field of Classification Search**
USPC D14/167, 168, 170–172, 188, 194–196,
D14/204, 207, 209.1, 210–216, 219, 221,
D14/222, 224, 239, 496; 181/143, 144, 147,
181/148, 150, 153, 157, 198, 199;
381/300–303, 306, 332, 333, 336, 345,
381/361–364, 386–388; 369/6–12
CPC ... B60R 11/0217; G06F 1/1688; G10K 9/22;
G10K 11/004; H03F 1/327; H04M 1/03;
H04M 1/035; H04N 5/642; H04N 21/4852;
H04R 1/02; H04R 1/06; H04R 1/021; H04R
1/025; H04R 1/026; H04R 1/028; H04R
1/105; H04R 1/323; H04R 1/403; H04R
1/2803; H04R 1/2834; H04R 5/02; H04R
7/20; H04R 9/06; H04R 9/025; H04R
2201/021; H04R 2400/00; H04R 2400/07;
H04R 2499/11; H04R 2499/13; H04R
2499/15; H04S 3/00; H04S 7/30

See application file for complete search history.

(56) **References Cited**

U.S. PATENT DOCUMENTS

D534,523 S *	1/2007	Kang	D14/214
D578,104 S *	10/2008	Schoffmann	D14/214
D692,412 S *	10/2013	Silvera	D14/215
D692,848 S *	11/2013	Poandl	D14/172
D710,328 S *	8/2014	Kim	D14/212
D711,354 S *	8/2014	Florczak	D14/215
D715,258 S *	10/2014	Osborn	D14/212
D718,739 S *	12/2014	DiTullo	D14/214
D733,682 S *	7/2015	Kelly	D14/215
D751,526 S *	3/2016	Habraken	D14/204

* cited by examiner

Primary Examiner — Keli L Hill

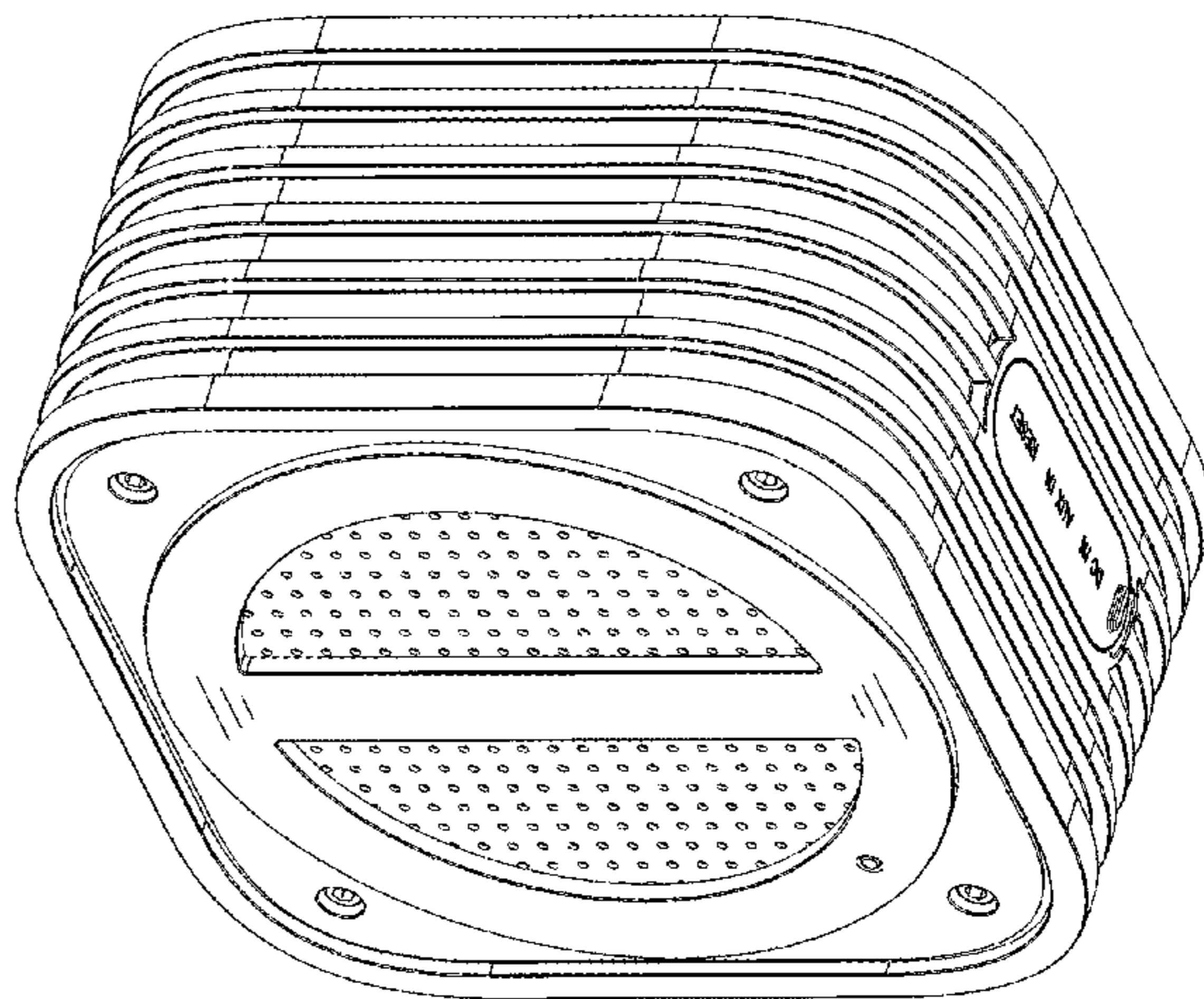
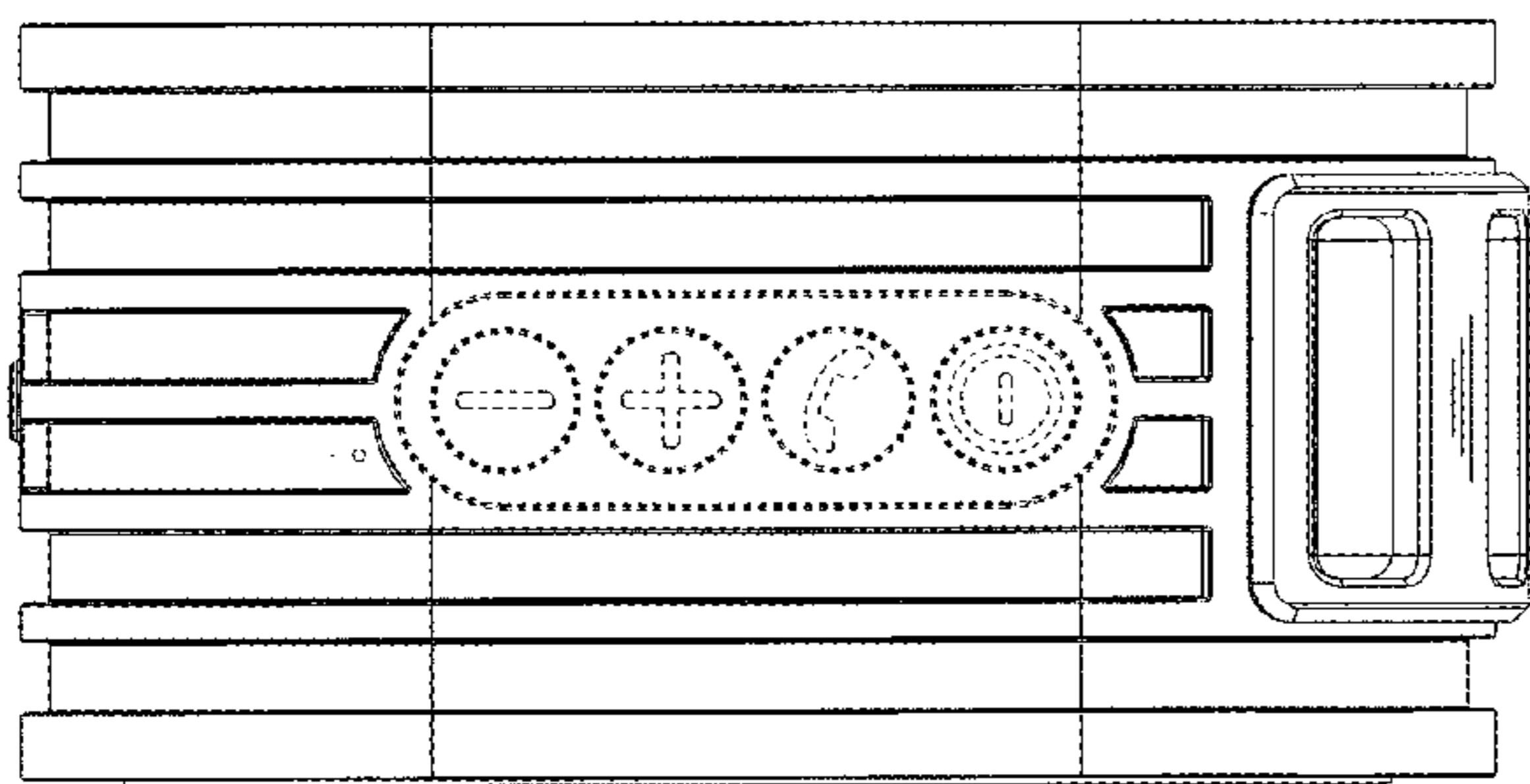
(57) **CLAIM**

The ornamental design for a bluetooth speaker, as shown and described.

DESCRIPTION

FIG. 1 is a front elevational view of a bluetooth speaker showing my new design;
FIG. 2 is a rear elevational view thereof;
FIG. 3 is a left side view thereof;
FIG. 4 is a right side view thereof;
FIG. 5 is a top plan view thereof;
FIG. 6 is a bottom plan view thereof; and,
FIG. 7 is a perspective view thereof.
The broken lines shown form no part of the claimed design.

1 Claim, 6 Drawing Sheets



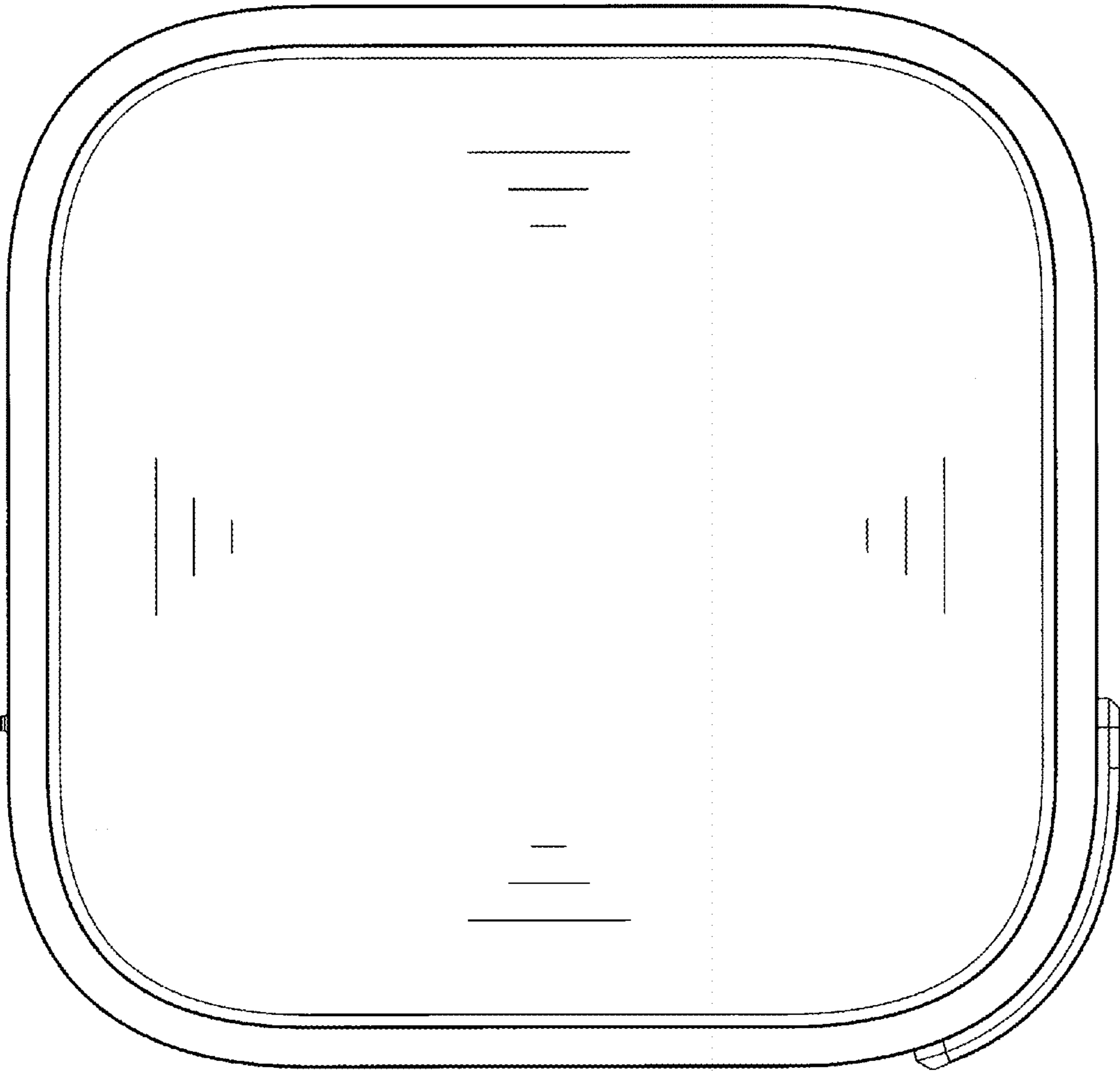


FIG. 1

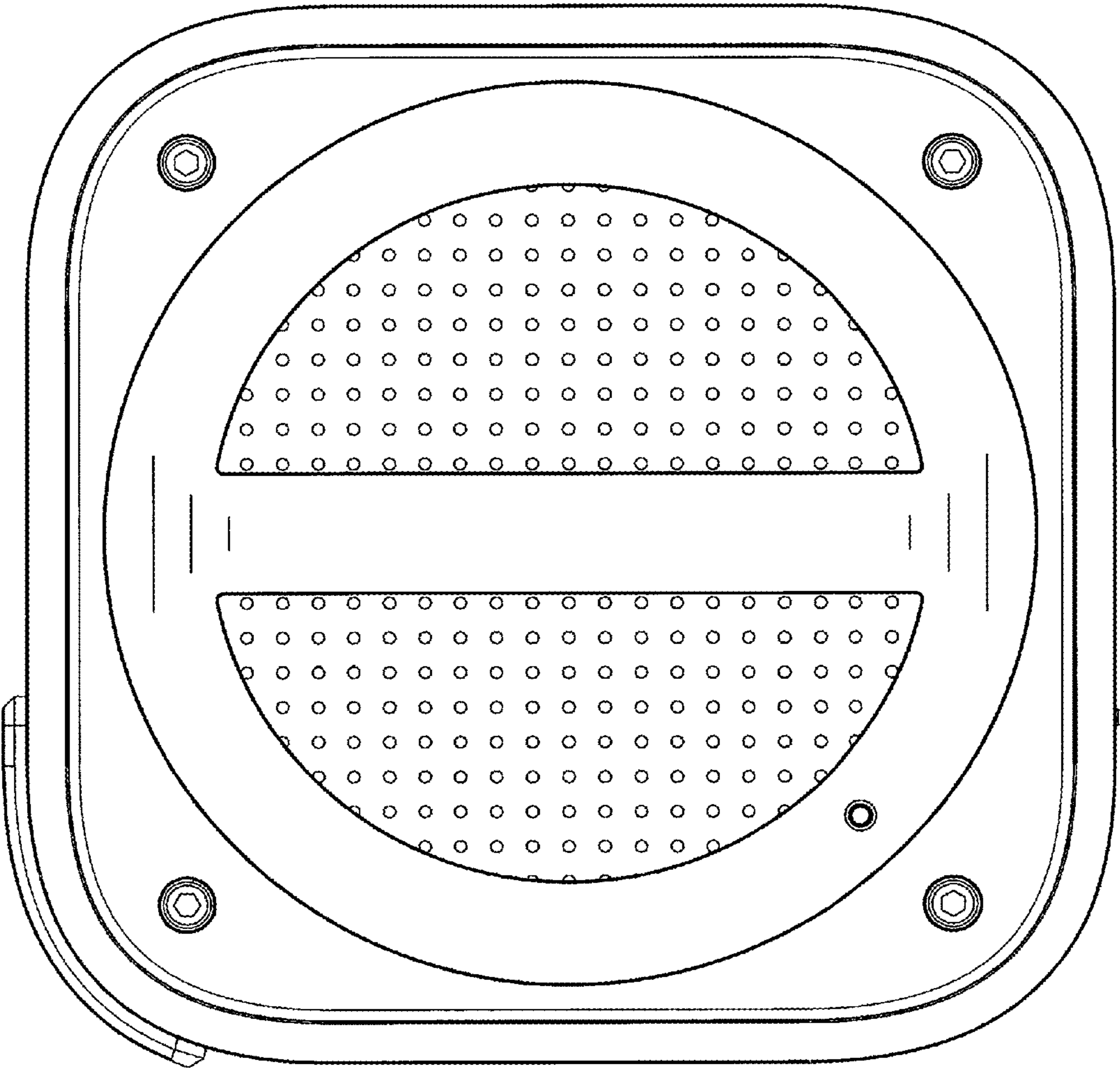


FIG. 2

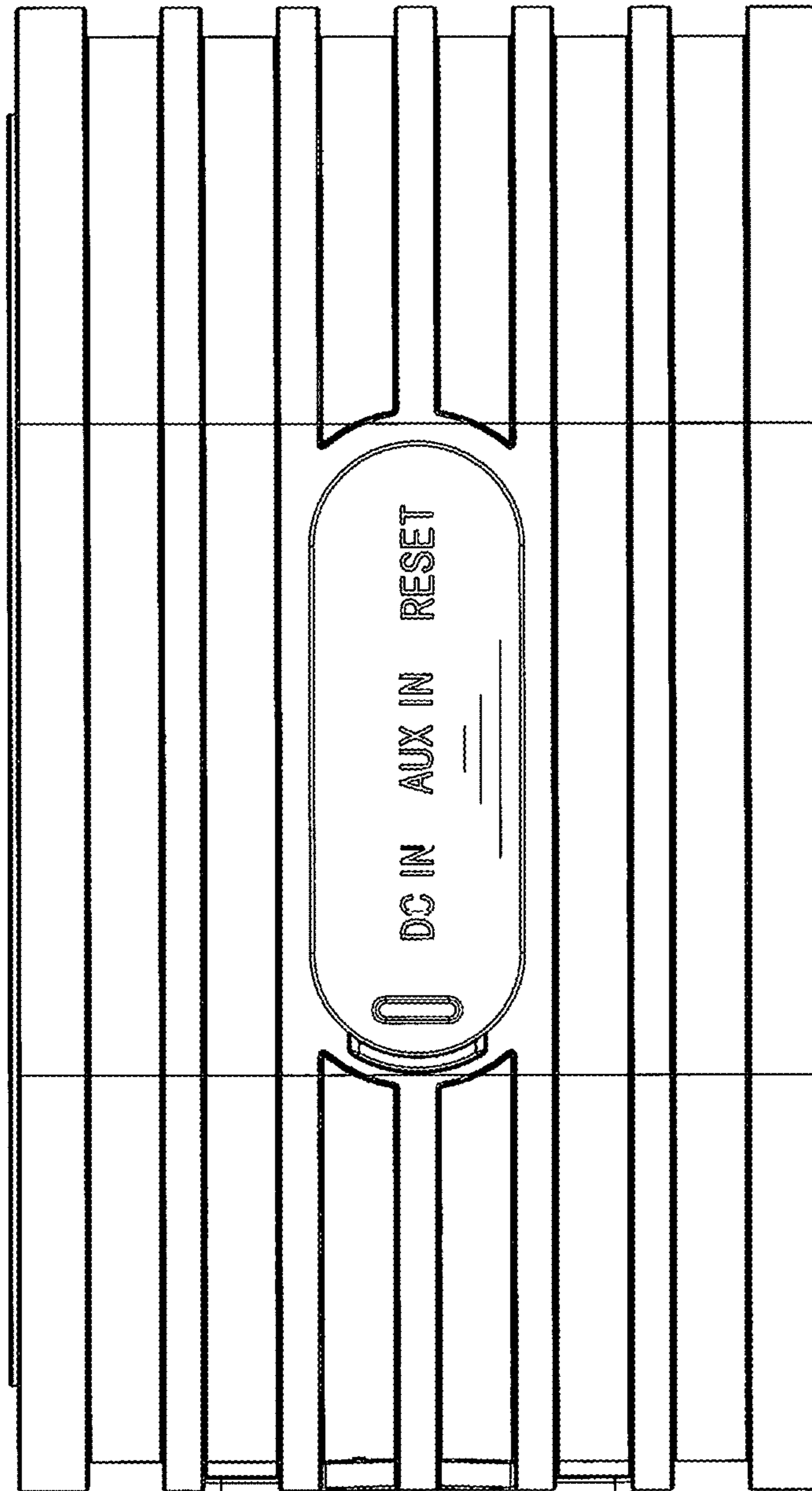


FIG. 3

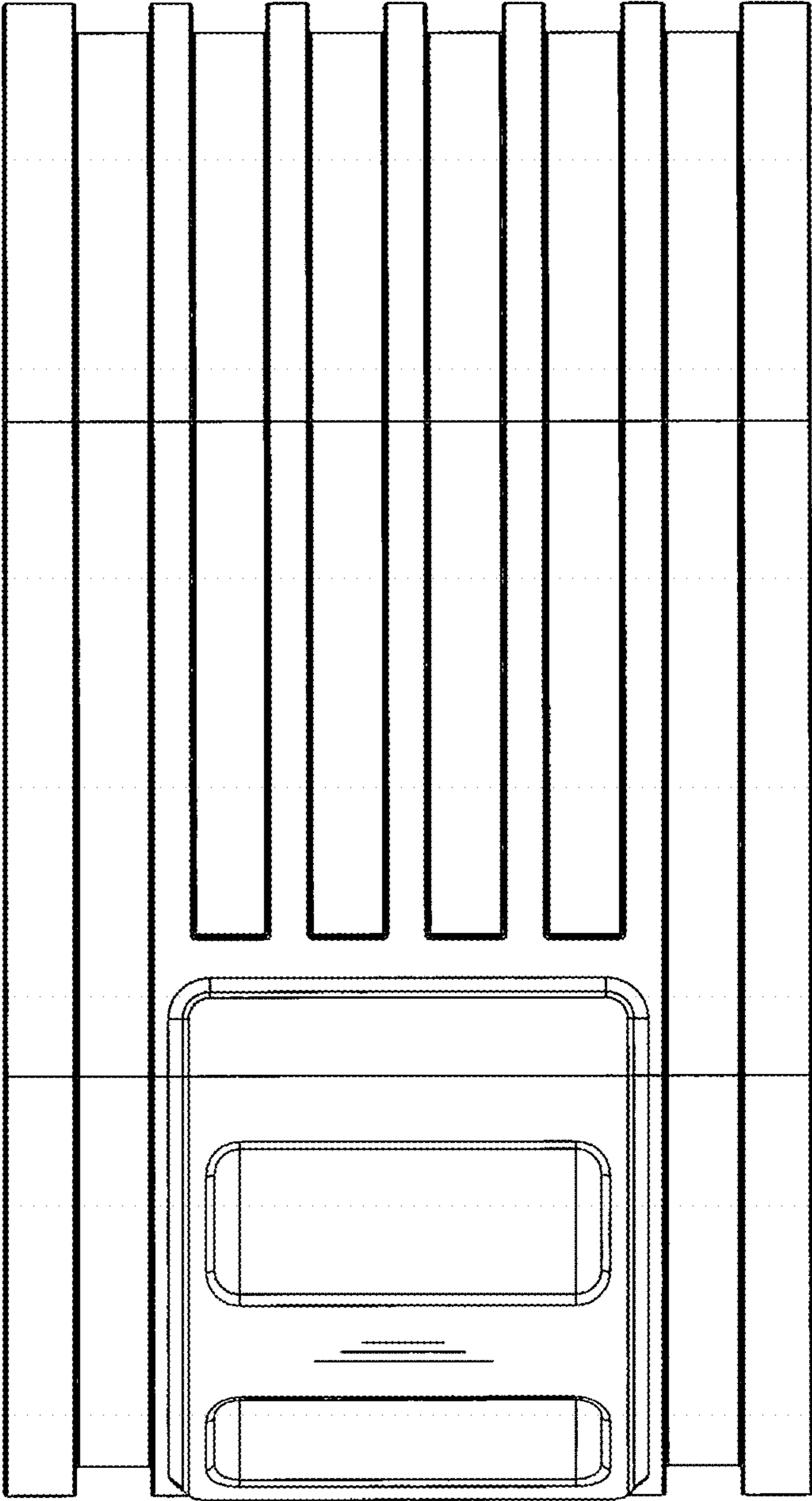


FIG. 4

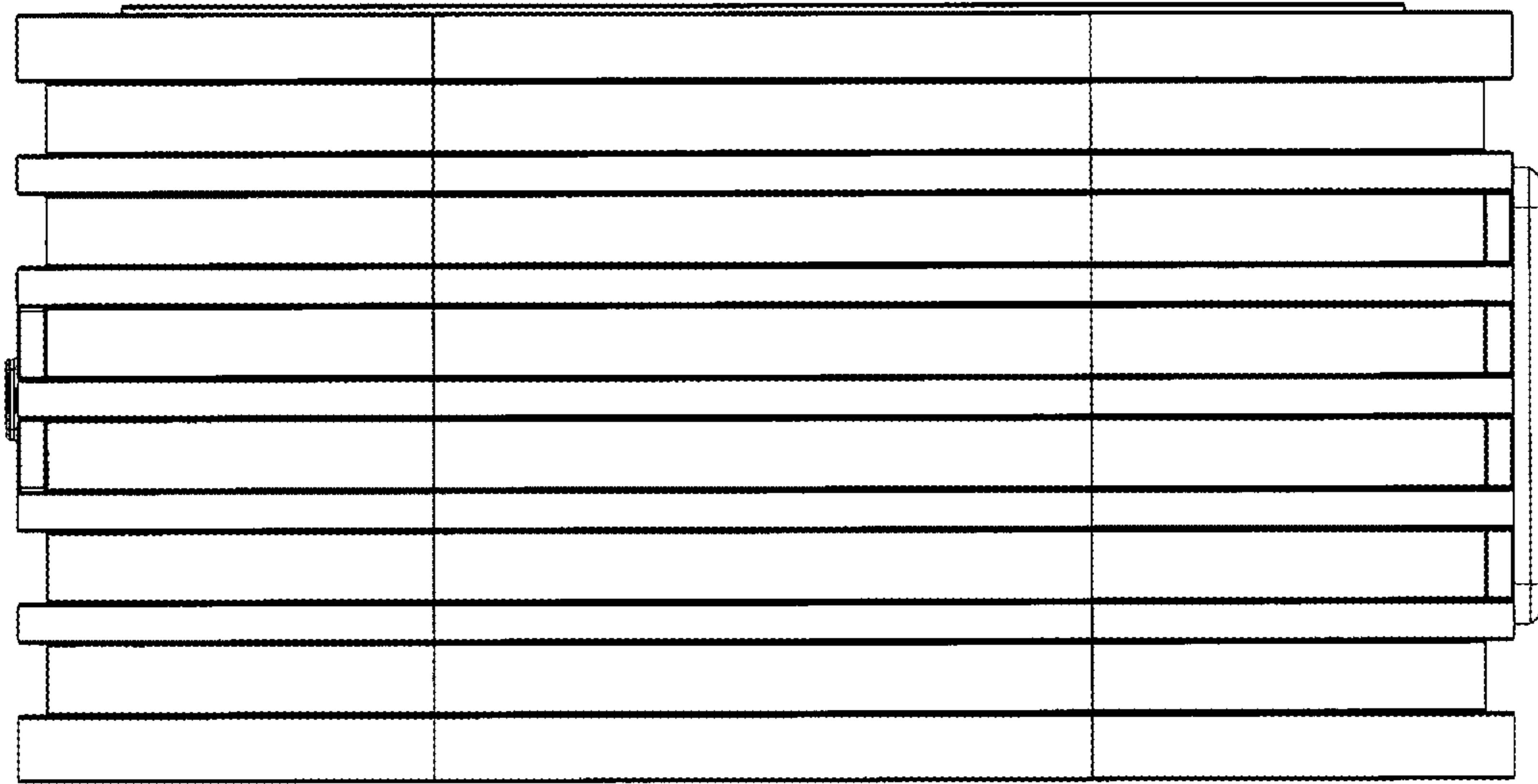


FIG. 5

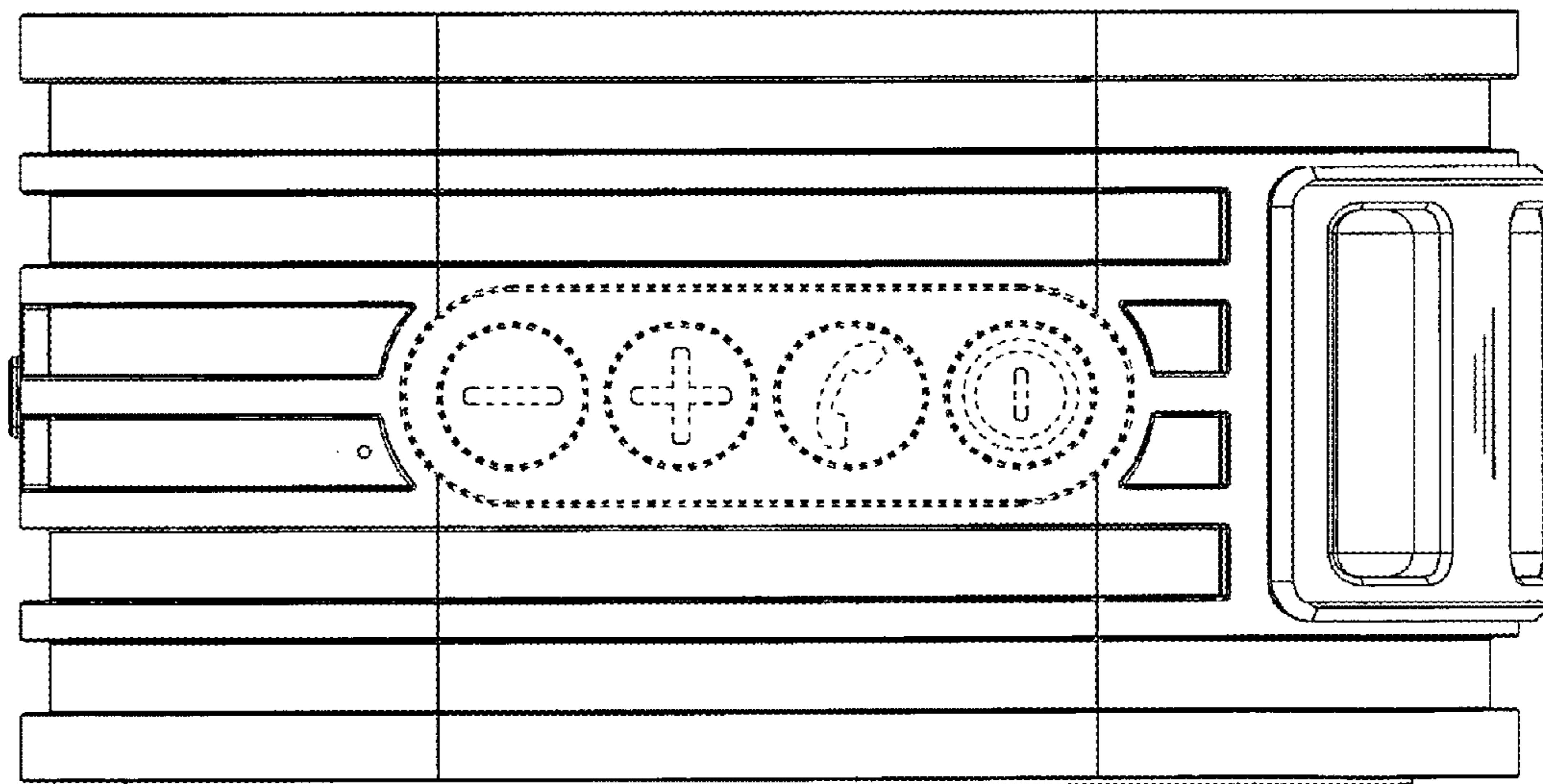


FIG. 6

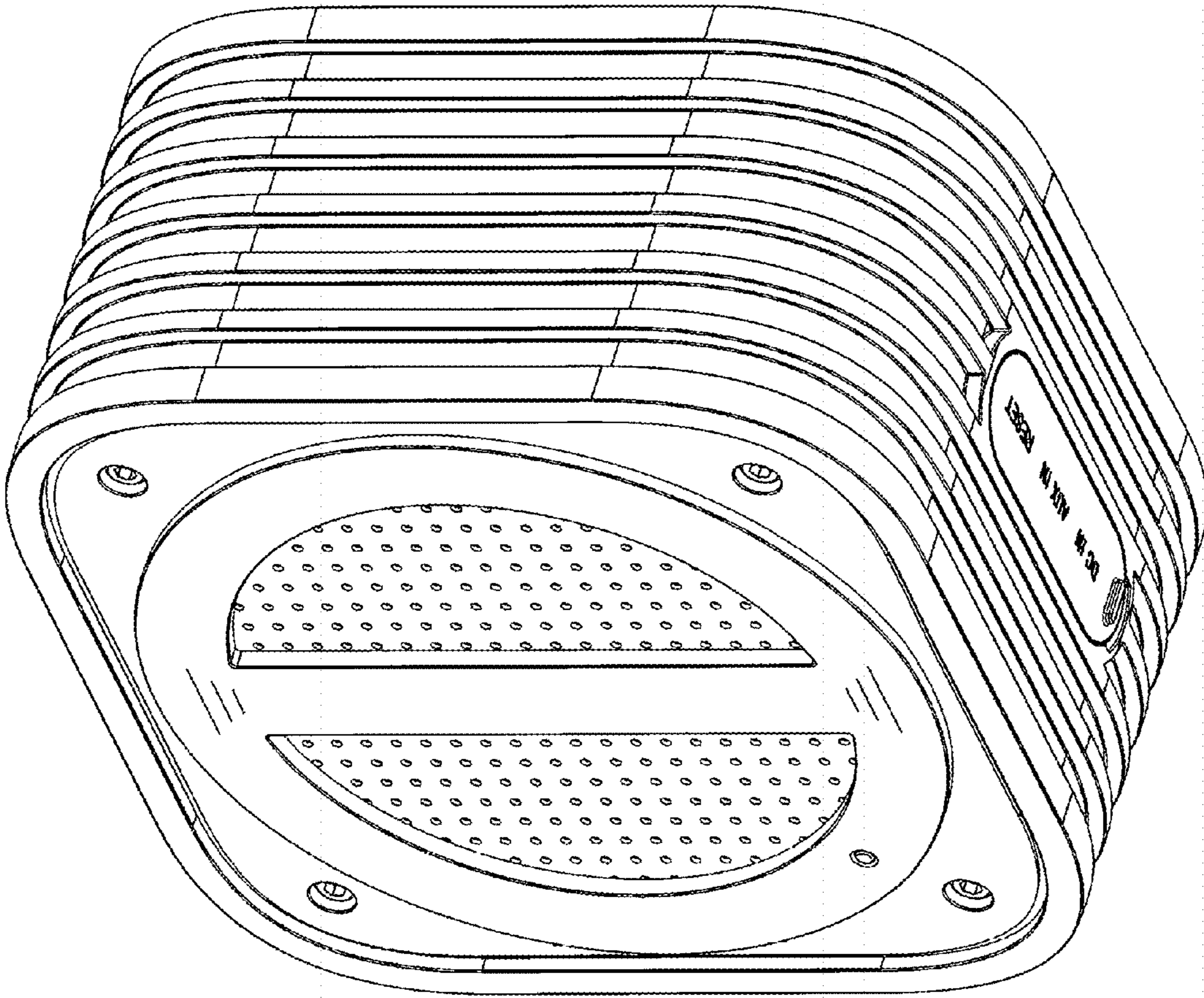


FIG. 7