



US00D769222S

(12) **United States Design Patent**
Andrews et al.

(10) **Patent No.:** **US D769,222 S**

(45) **Date of Patent:** **** *Oct. 18, 2016**

- (54) **LOUDSPEAKER**
- (71) Applicant: **Funktion One Research**, Dorking, Surrey (GB)
- (72) Inventors: **Anthony John Andrews**, Dorking (GB); **John Newsham**, Dorking (GB); **Toby Charles Collingwood Hunt**, Dorking (GB); **Thomas Gude**, Redhill (GB)
- (73) Assignee: **FUNKTION ONE RESEARCH**, Dorking, Surrey (GB)
- (*) Notice: This patent is subject to a terminal disclaimer.
- (**) Term: **14 Years**
- (21) Appl. No.: **29/514,608**
- (22) Filed: **Jan. 14, 2015**

(30) **Foreign Application Priority Data**

Jul. 15, 2014 (EM) 002503136-0002

(51) **LOC (10) Cl.** **14-01**

(52) **U.S. Cl.**
USPC **D14/210**; D14/214

(58) **Field of Classification Search**
USPC D14/210, 214, 172, 188, 209.1, 204, D14/221, 265; 181/152, 156, 144, 148, 159, 181/160; 381/340, 343, 354, 190, 193, 386
CPC H05K 5/00; H04R 25/00; H04R 5/02; H04R 7/26
See application file for complete search history.

(56) **References Cited**

U.S. PATENT DOCUMENTS

- D188,326 S * 7/1960 Levy et al. D14/214
- 3,122,215 A * 2/1964 Sutton H04R 1/2857
181/160
- 3,142,182 A * 7/1964 Dane, Jr. G01C 19/16
384/425

- 3,143,182 A * 8/1964 Sears H04R 1/2811
181/153
- 3,941,207 A * 3/1976 Croup H04R 1/021
181/156
- 4,070,546 A * 1/1978 Hirota H04R 5/02
381/300
- D251,973 S * 5/1979 Klopfer D14/214
- 4,319,098 A * 3/1982 Baitcher H04R 7/20
181/166
- D290,699 S * 7/1987 Nakamura D14/214
- D295,857 S * 5/1988 Nagashima D14/210
- D317,919 S * 7/1991 Kawanabe D14/210
- D369,356 S * 4/1996 Olson D14/214
- D384,267 S * 9/1997 Giles D8/346
- D418,139 S * 12/1999 Matsuoka D14/214
- D440,220 S * 4/2001 Dunk D14/211
- D442,942 S * 5/2001 Tsuge D14/214
- D462,065 S * 8/2002 Silverstein D14/214
- D473,210 S * 4/2003 Solland D14/188
- D478,891 S * 8/2003 Hisatsune D14/211
- D484,484 S * 12/2003 Green D14/204
- D491,165 S * 6/2004 Hakoda D14/214
- D503,396 S * 3/2005 Hisatsune D14/214
- D508,041 S * 8/2005 Carbone D14/214
- D511,339 S * 11/2005 Tsuge D14/214

(Continued)

Primary Examiner — Paula Greene

(74) *Attorney, Agent, or Firm* — Fenwick & West LLP

(57) **CLAIM**

We claim the ornamental design for a loudspeaker, as shown and described.

DESCRIPTION

FIG. 1 is an isometric view of a first embodiment of a loudspeaker.

FIG. 2 is a top view thereof.

FIG. 3 is a bottom view thereof.

FIG. 4 is a rear view thereof.

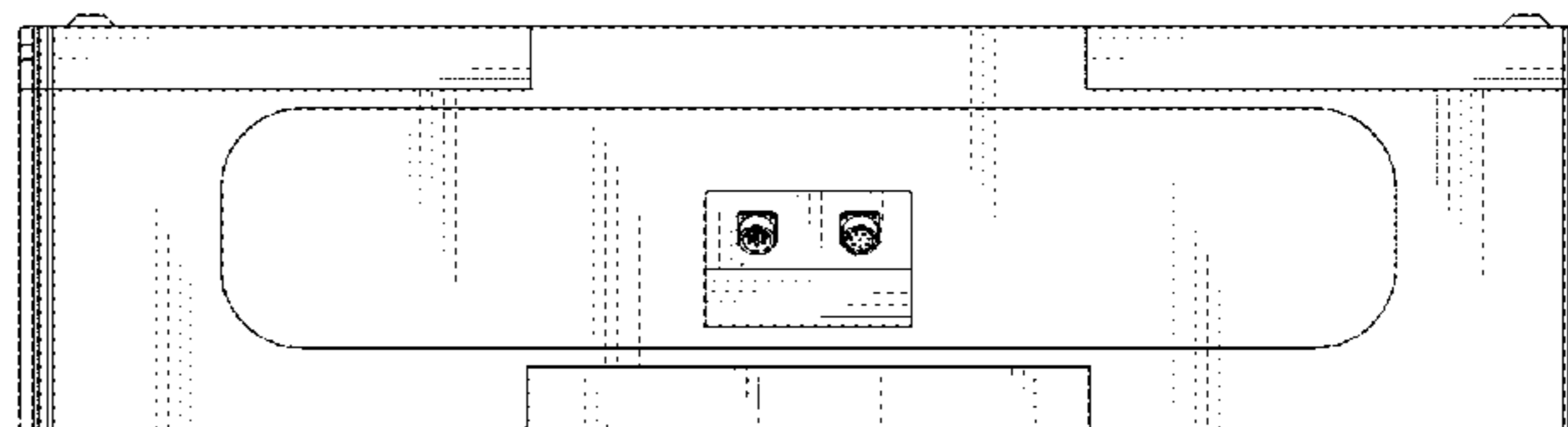
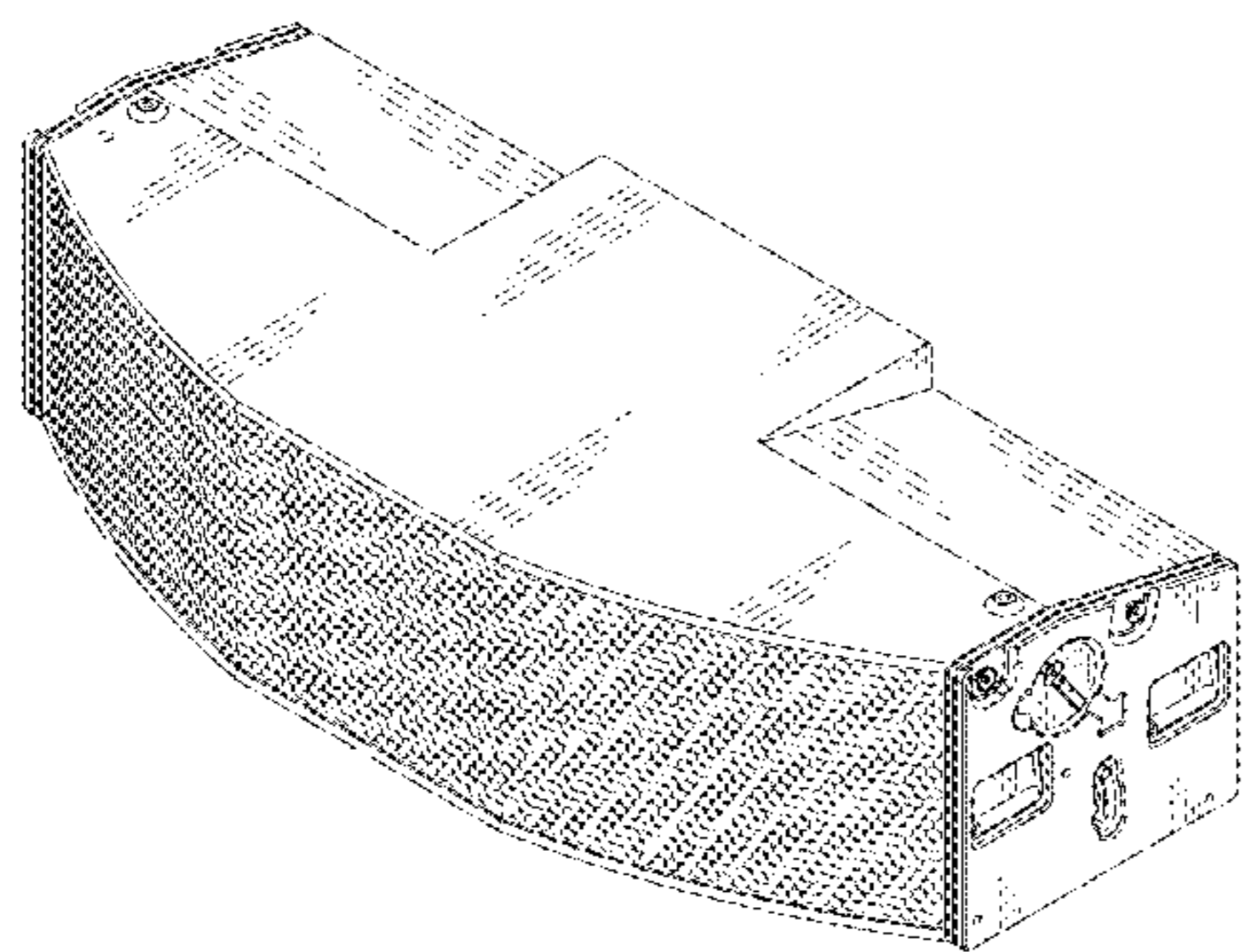
FIG. 5 is right side view thereof.

FIG. 6 is a left side view thereof; and,

FIG. 7 is front view thereof.

The broken lines in the figures form no part of the claimed design.

1 Claim, 7 Drawing Sheets



(56)

References Cited

U.S. PATENT DOCUMENTS

D512,988 S * 12/2005 Green D14/214
D536,386 S * 2/2007 Kaminkow D21/324
D540,310 S * 4/2007 Yuyama D14/214
D542,270 S * 5/2007 Jenkins D14/214
D547,748 S * 7/2007 Tsuge D14/211
7,328,769 B1 * 2/2008 Adamson H04R 1/026
181/144
D572,704 S * 7/2008 Chang D14/214
D589,939 S * 4/2009 Hsu D14/211

D654,474 S * 2/2012 Hawkins D14/214
D659,119 S * 5/2012 Brunner D14/209.1
D663,719 S * 7/2012 Warden D14/214
D673,933 S * 1/2013 McManigal D14/204
D686,193 S * 7/2013 Giffin D14/214
D695,705 S * 12/2013 Shimizu D14/172
D707,203 S * 6/2014 Xie D14/204
D709,856 S * 7/2014 Holzer D14/171
D720,334 S * 12/2014 Wang D14/204
D727,874 S * 4/2015 Christner D14/210
D742,854 S * 11/2015 Warden D14/204

* cited by examiner

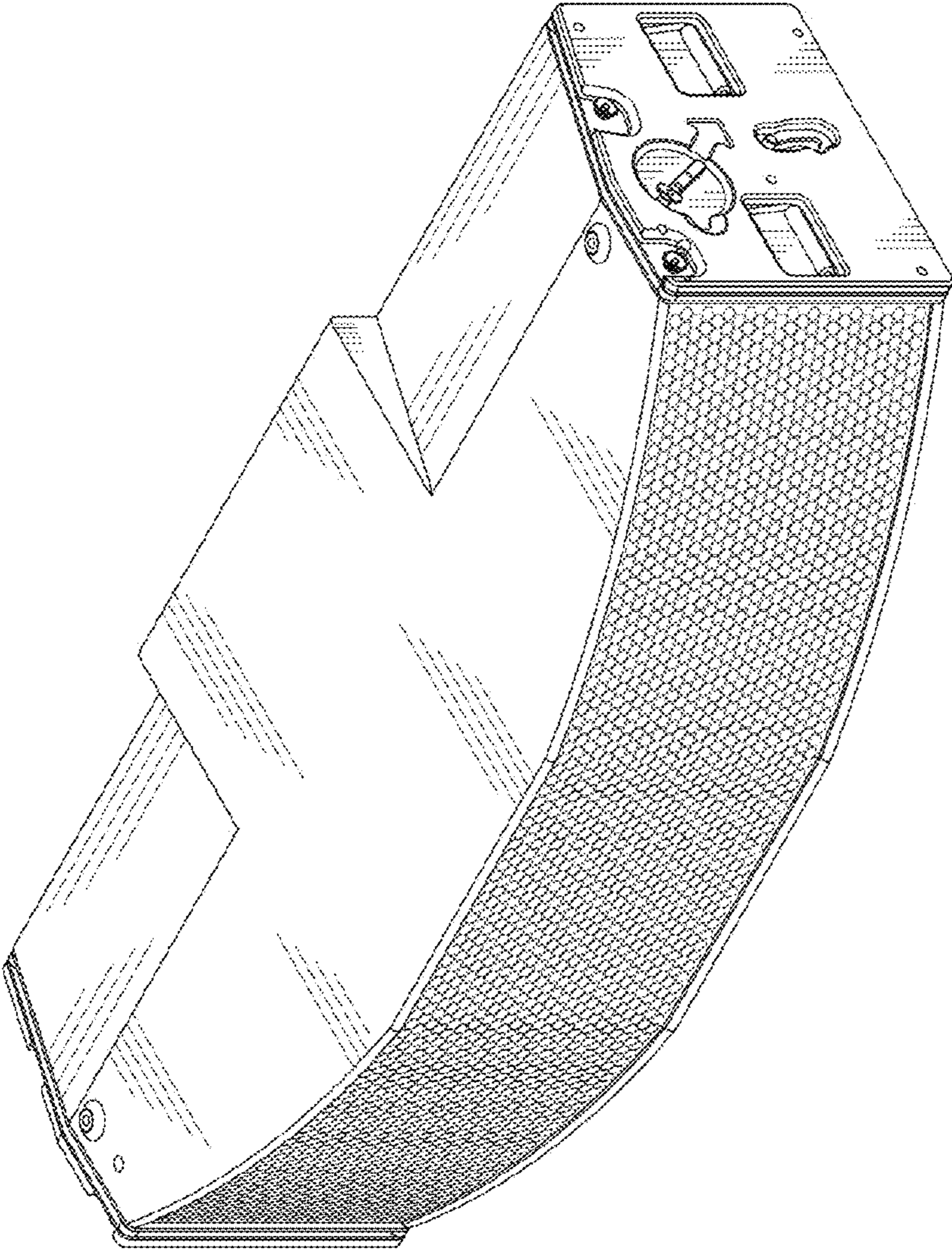


FIG. 1

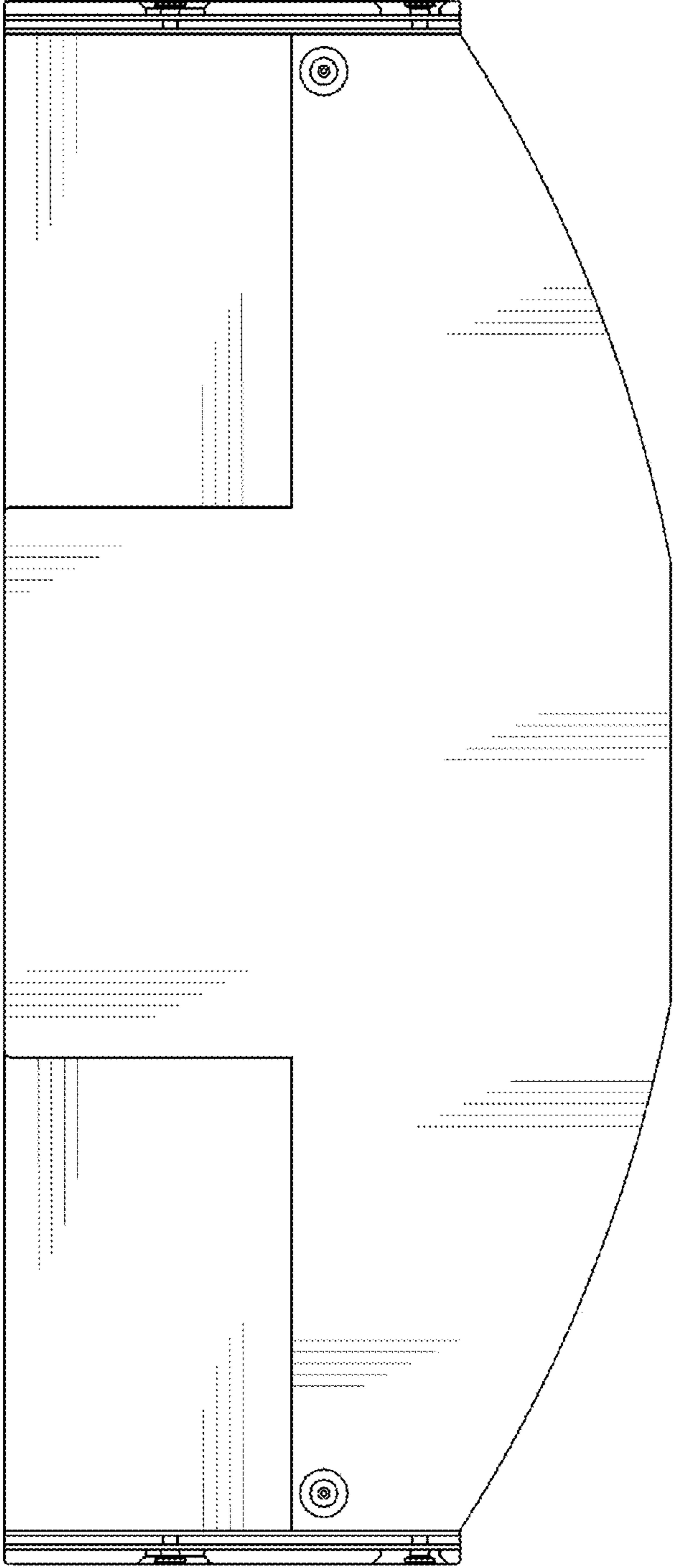


FIG. 2

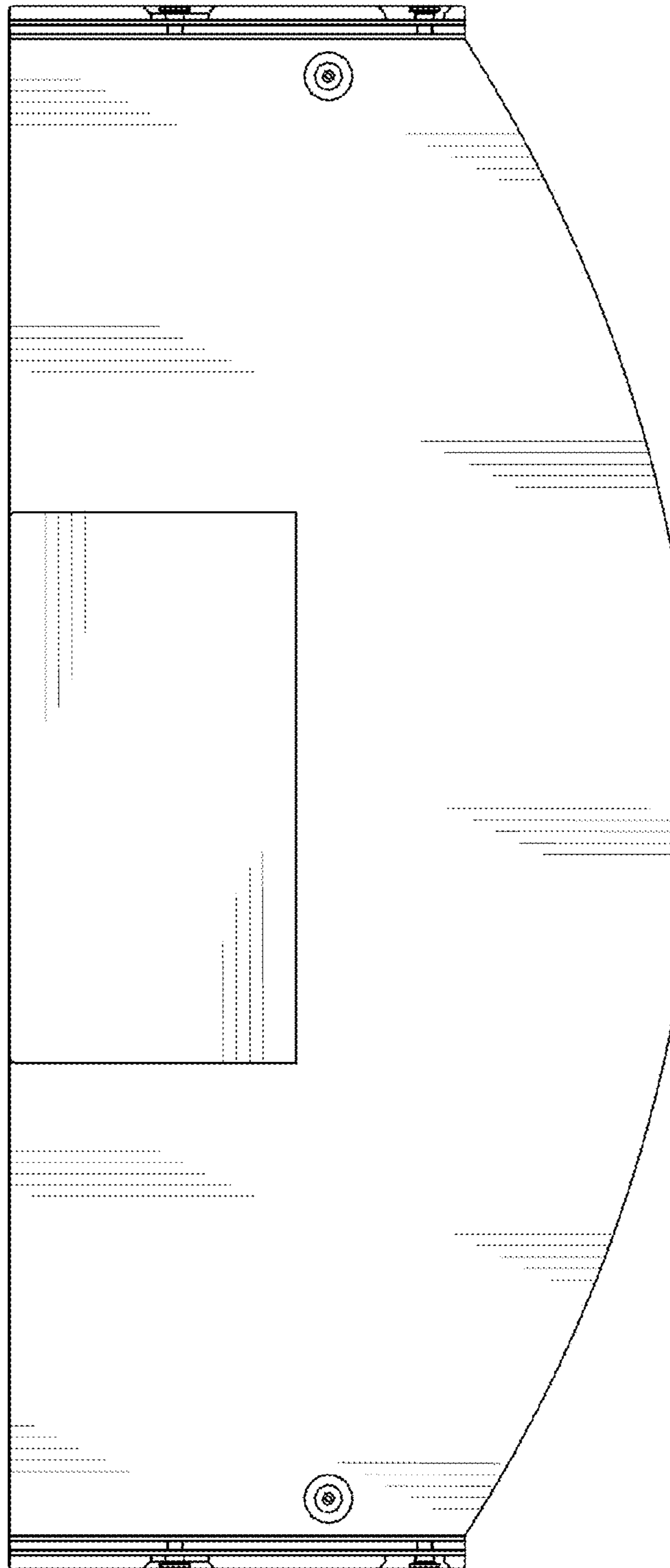


FIG. 3

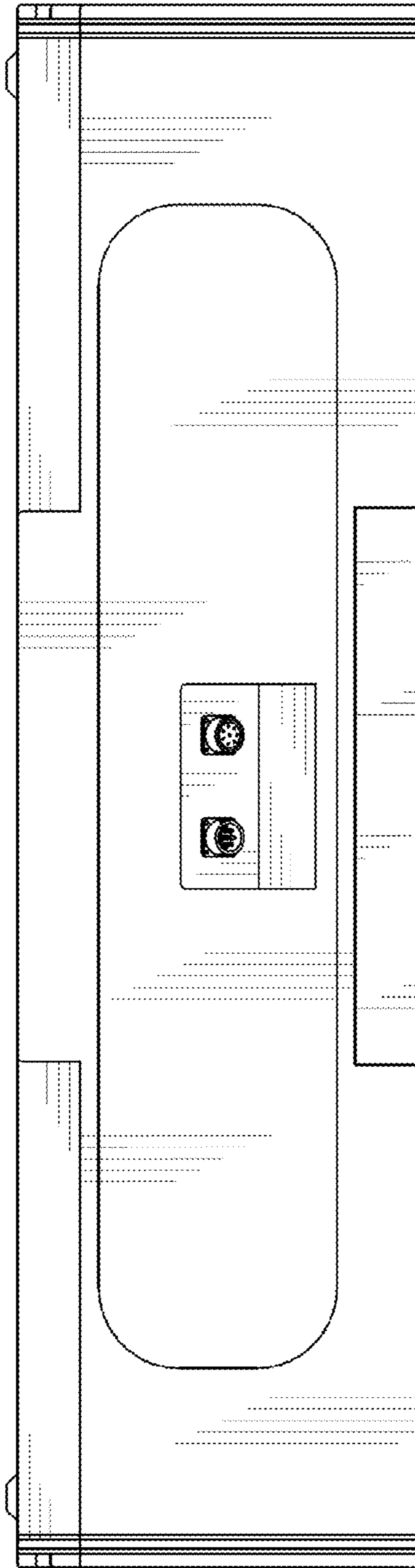


FIG. 4

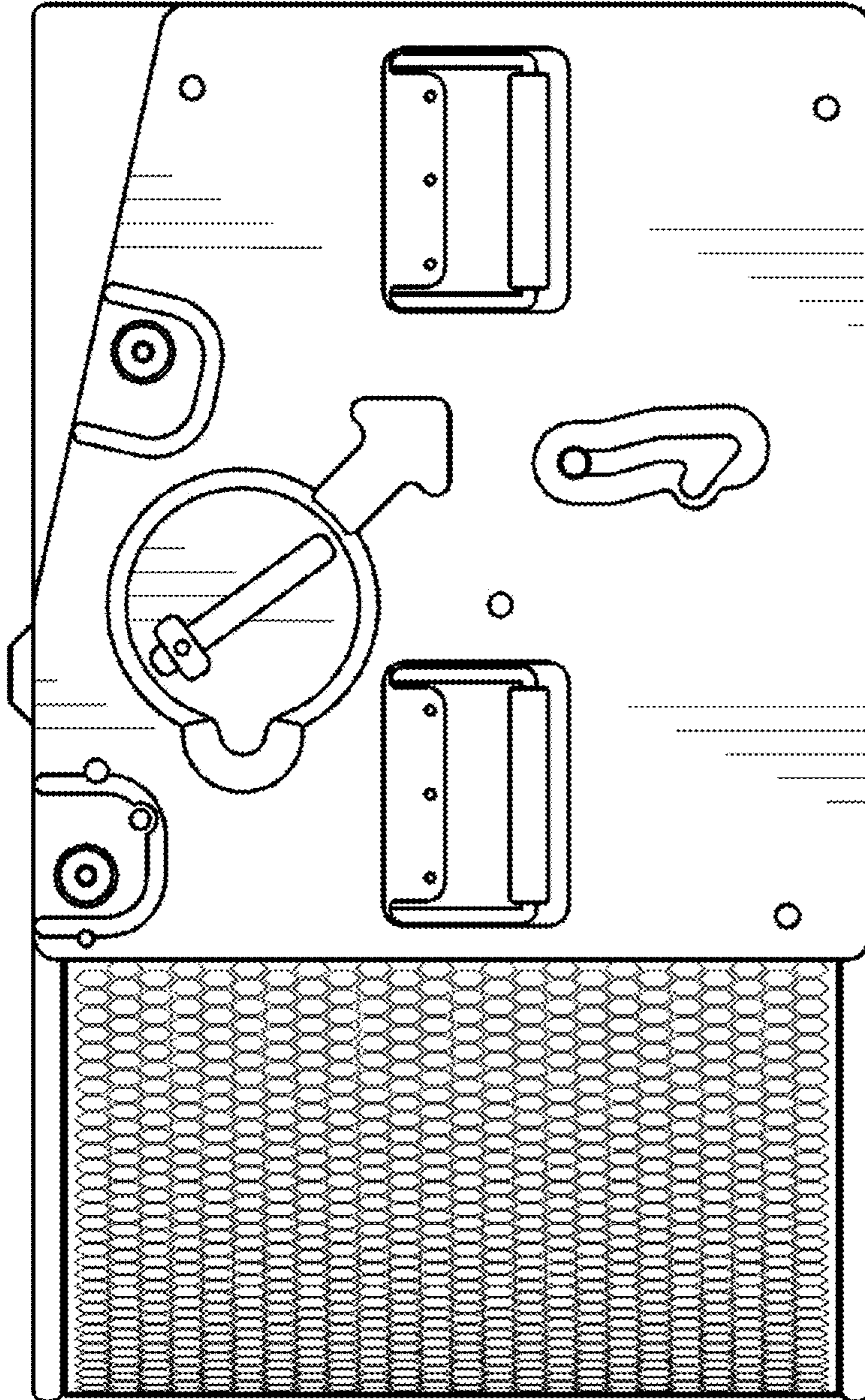


FIG. 5

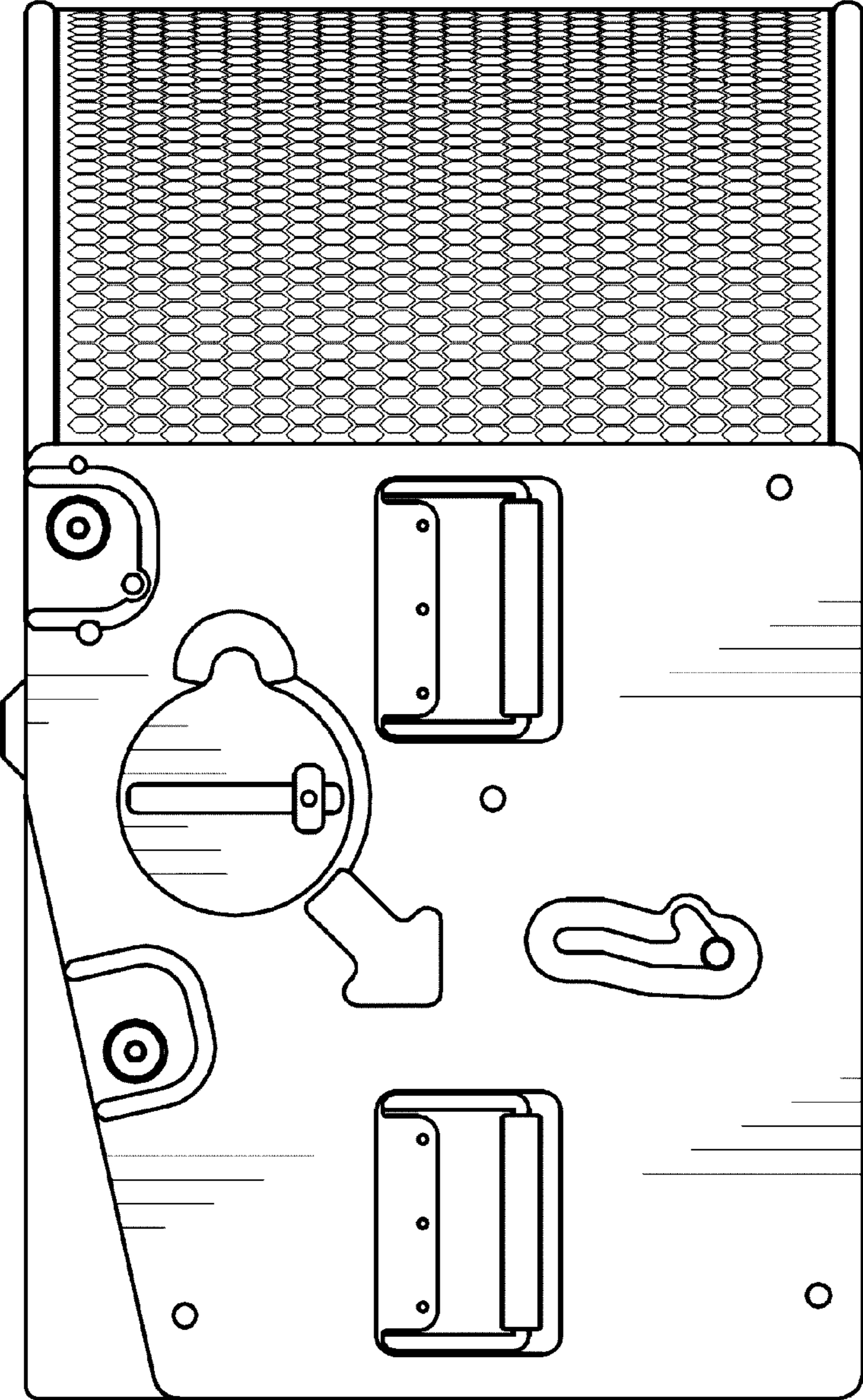


FIG. 6

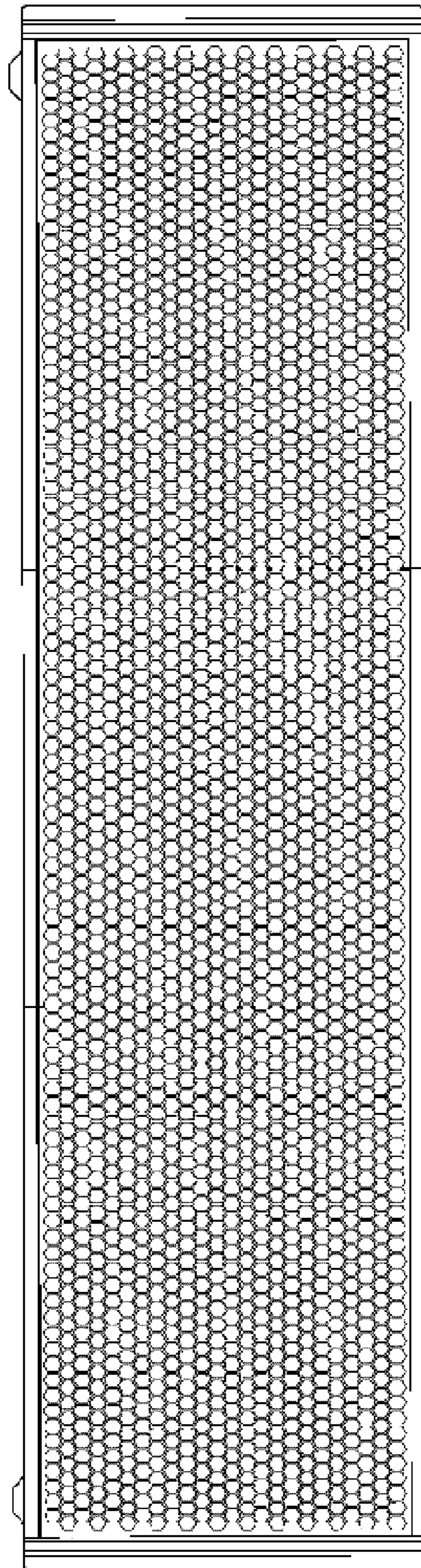


FIG. 7