



US00D769221S

(12) **United States Design Patent**
Pedersen

(10) **Patent No.:** **US D769,221 S**
(45) **Date of Patent:** **** Oct. 18, 2016**

(54) **HEADSET FOR COMMUNICATION**

(71) Applicant: **GN Netcom A/S**, Ballerup (DK)
(72) Inventor: **Mads Heje Pedersen**, Ballerup (DK)
(73) Assignee: **GN Netcom A/S** (DK)
(**) Term: **14 Years**

(21) Appl. No.: **29/514,119**

(22) Filed: **Jan. 8, 2015**

(30) **Foreign Application Priority Data**

Jul. 8, 2014 (EM) 002498220-0001
Jul. 8, 2014 (EM) 002498220-0002
Jul. 8, 2014 (EM) 002498220-0003
Jul. 8, 2014 (EM) 002498220-0004
Jul. 8, 2014 (EM) 002498220-0005
Jul. 8, 2014 (EM) 002498220-0006

(51) **LOC (10) Cl.** **14-01**

(52) **U.S. Cl.**
USPC **D14/206**

(58) **Field of Classification Search**
USPC D14/205, 206, 225; 181/129, 130, 135;
379/430, 431; 381/380, 381, 374;
455/90.3, 575.1
CPC H04R 25/00; H04R 25/02
See application file for complete search history.

(56) **References Cited**

U.S. PATENT DOCUMENTS

D246,519 S * 11/1977 Kato D14/205
D291,198 S * 8/1987 Bellini D14/205
D318,053 S * 7/1991 Ludeke D14/205
D337,116 S * 7/1993 Hattori D14/206
D345,163 S * 3/1994 Yamatogi D14/205
D346,802 S * 5/1994 Sacherman D14/206
5,369,857 A * 12/1994 Sacherman H04R 5/0335
29/594
5,406,037 A * 4/1995 Nageno H04R 5/0335
181/129
D410,466 S * 6/1999 Mouri D14/205

D420,356 S * 2/2000 Suzuki D14/205
D435,249 S * 12/2000 Yasutomi D14/205
D482,019 S * 11/2003 Petersen D14/206
D484,485 S * 12/2003 Matsuoka D14/205
D488,146 S * 4/2004 Minto D14/206
D494,154 S * 8/2004 Polito D14/206
D504,414 S * 4/2005 Yoshida D14/192
D514,086 S * 1/2006 Skulley D14/206
D530,702 S * 10/2006 Pritchard D14/206
D531,165 S * 10/2006 Rath D14/206
D540,303 S * 4/2007 Rausch D14/205
D541,256 S * 4/2007 Rausch D14/205
D549,688 S * 8/2007 Suzuki D14/205
D563,382 S * 3/2008 Wikel D14/205
D567,215 S * 4/2008 Lee D14/205
7,356,362 B2 * 4/2008 Chang H04R 1/1033
379/430
7,388,960 B2 * 6/2008 Kuo H04R 1/1041
379/430
D582,890 S * 12/2008 Koza D14/205
D588,098 S * 3/2009 Kurihara D14/205
D592,640 S * 5/2009 Tkachuk D14/205
D593,995 S * 6/2009 Shimizu D14/205

(Continued)

Primary Examiner — Paula Greene

(74) *Attorney, Agent, or Firm* — Altera Law Group, LLC

(57) **CLAIM**

The ornamental design for a headset for communication, as shown and described.

DESCRIPTION

FIG. 1 is a perspective view of a headset for communication showing my new design;
FIG. 2 is a front view thereof.
FIG. 3 is a back view thereof.
FIG. 4 is a left view thereof.
FIG. 5 is a right view thereof.
FIG. 6 is a top view thereof; and,
FIG. 7 is a bottom view thereof.
The features shown in broken lines depict environmental subject matter only and form no part of the claimed design.

1 Claim, 7 Drawing Sheets



(56)

References Cited

U.S. PATENT DOCUMENTS

D603,370 S * 11/2009 Suzuki D14/205
D604,266 S * 11/2009 Milde D14/205
D617,769 S * 6/2010 Birger D14/205
D639,776 S * 6/2011 Arimoto D14/205
D654,472 S * 2/2012 Fischer D14/206
D692,410 S * 10/2013 Brunner D14/206

D709,860 S * 7/2014 Brunner D14/205
D716,258 S * 10/2014 Awiszus D14/206
D716,259 S * 10/2014 Awiszus D14/206
D716,762 S * 11/2014 Greve D14/206
D725,074 S * 3/2015 Boeckel D14/205
D728,512 S * 5/2015 Nakagawa D14/205
2011/0206216 A1 * 8/2011 Brunner H04R 1/1066
381/74

* cited by examiner



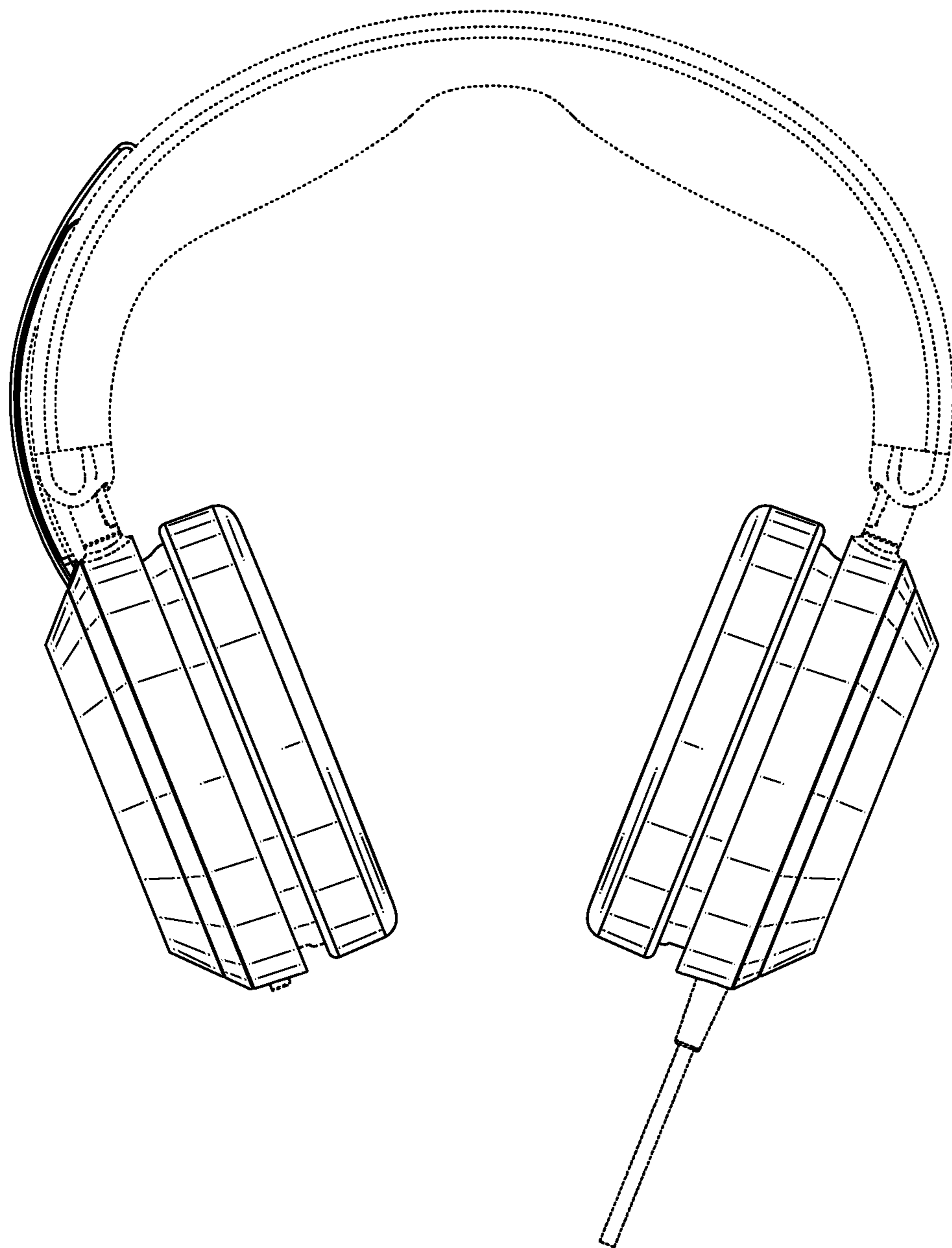


FIG. 2

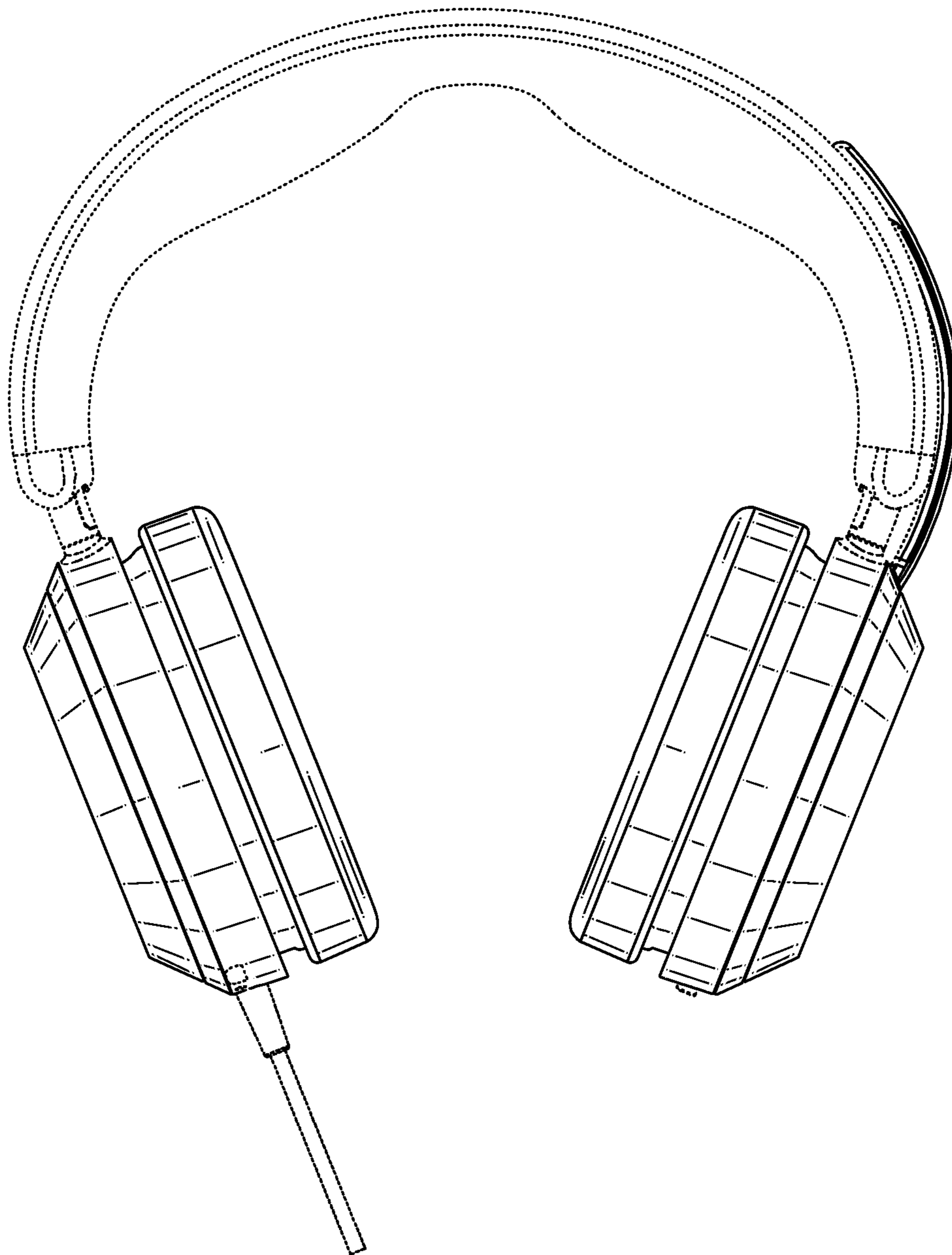


FIG. 3

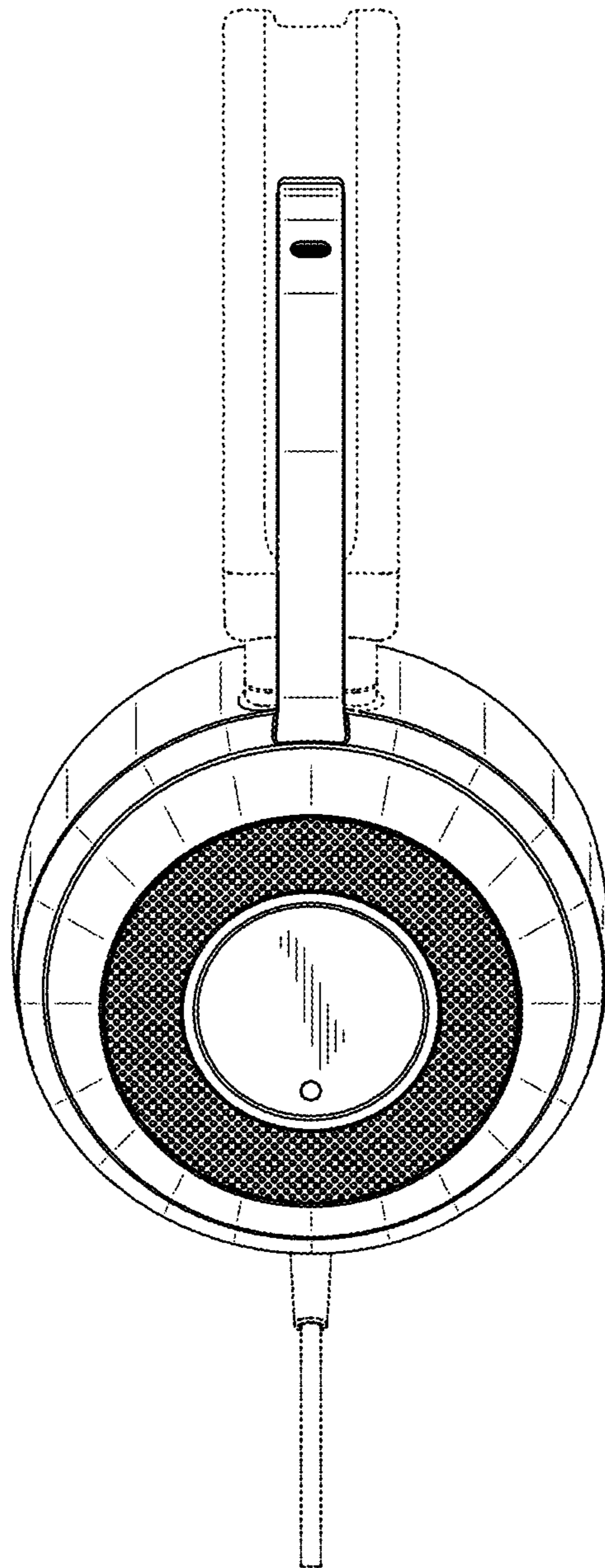


FIG. 4

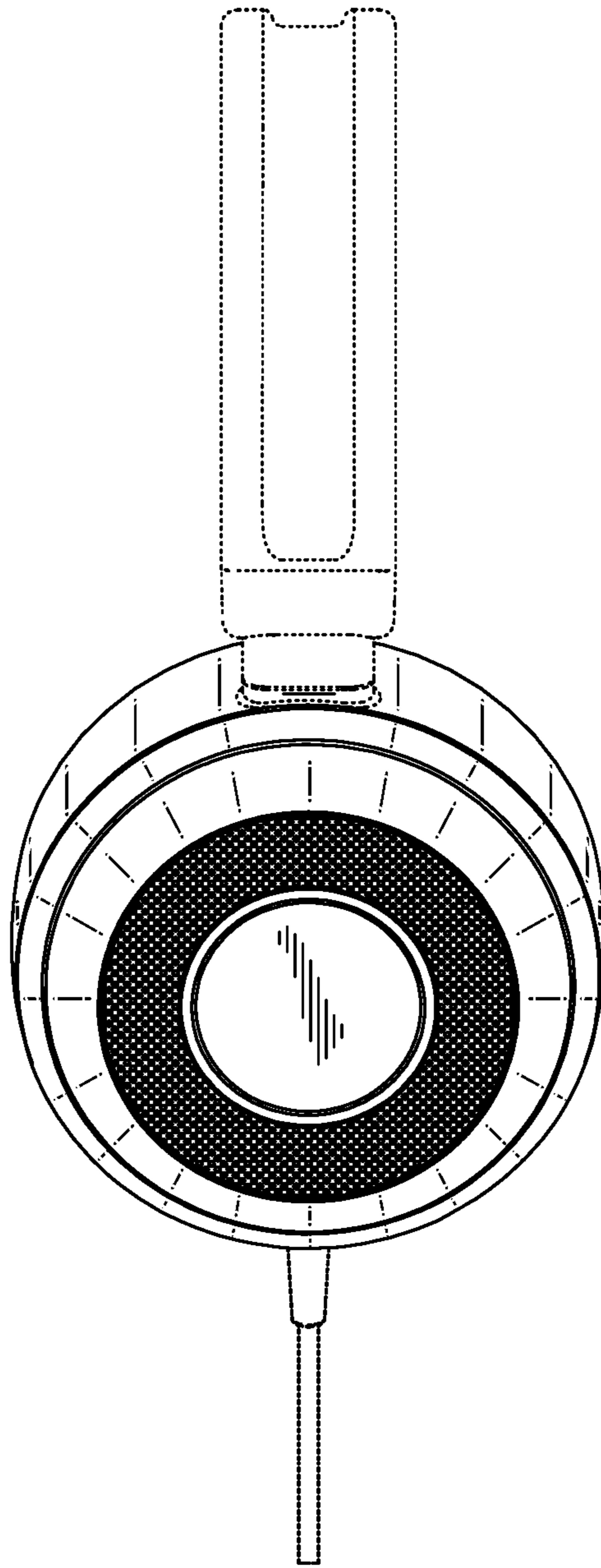


FIG. 5

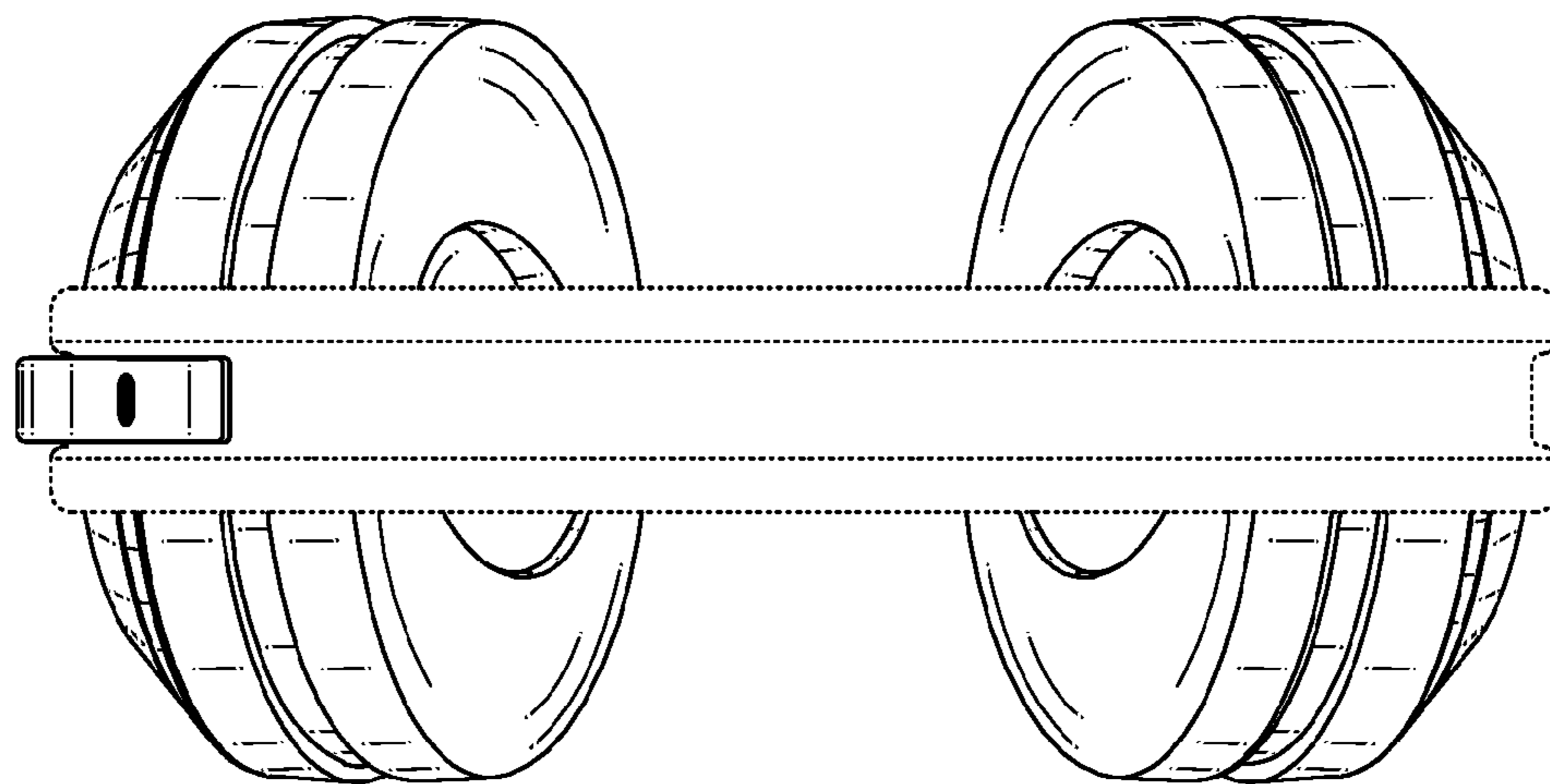


FIG. 6

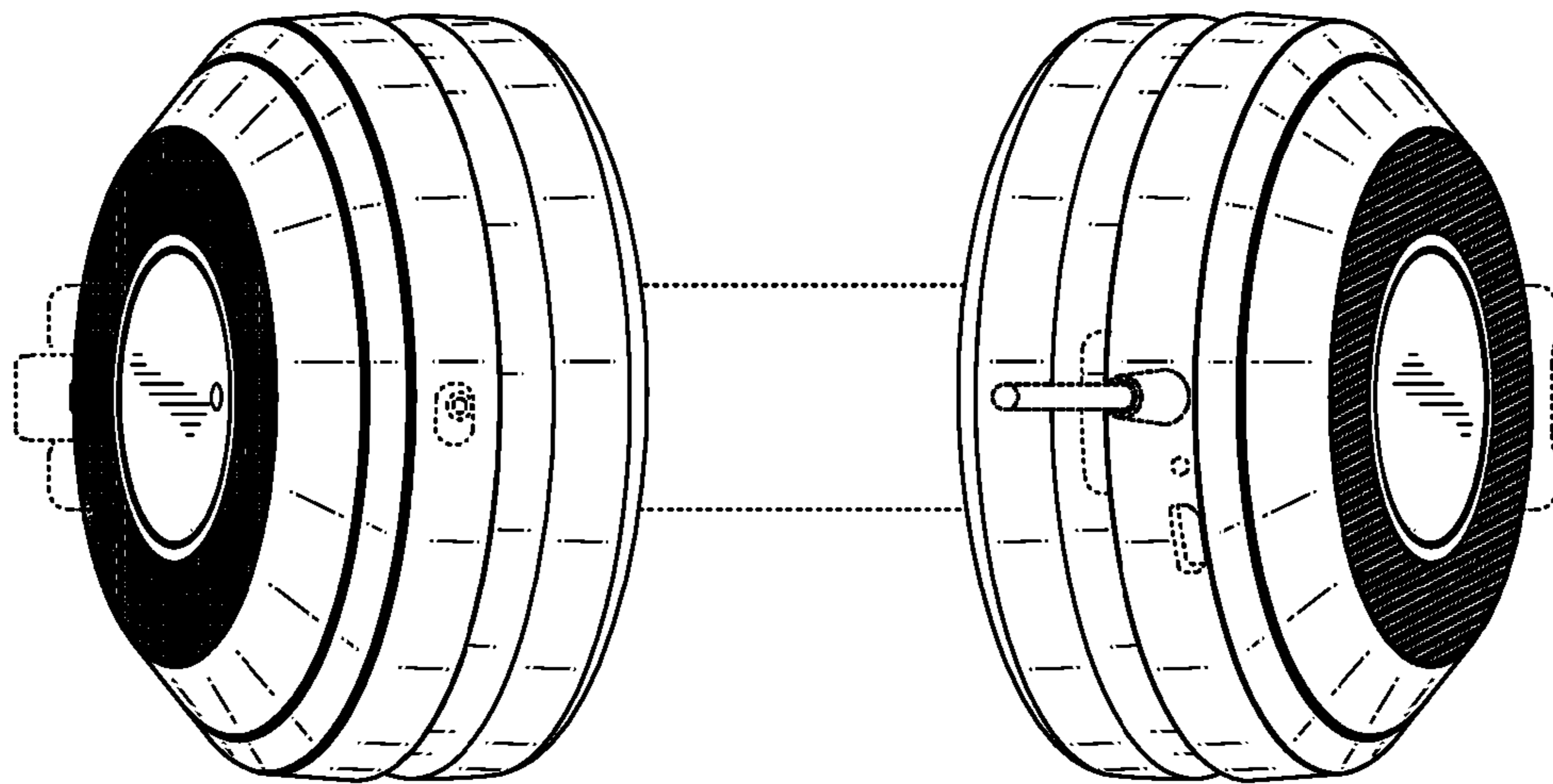


FIG. 7