



US00D769219S

(12) **United States Design Patent**
Ohmachi

(10) **Patent No.:** **US D769,219 S**
(45) **Date of Patent:** **** Oct. 18, 2016**

(54) **SPEAKER FOR HEADPHONE**

(71) Applicant: **YAMAHA CORPORATION**,
Hamamatsu-shi, Shizuoka (JP)

(72) Inventor: **Takenori Ohmachi**, Hamamatsu (JP)

(73) Assignee: **YAMAHA CORPORATION**,
Hamamatsu-shi (JP)

(**) Term: **15 Years**

(21) Appl. No.: **29/533,340**

(22) Filed: **Jul. 16, 2015**

(30) **Foreign Application Priority Data**

Jan. 20, 2015 (JP) 2015-000876

(51) **LOC (10) Cl.** **14-01**

(52) **U.S. Cl.**
USPC **D14/205**

(58) **Field of Classification Search**
USPC D14/205, 204, 209, 209.1, 214, 216,
D14/172, 203.1, 203.2, 496, 155, 219;
D29/112; 2/209; D23/370, 380, 390,
D23/260, 317, 335, 364; 181/129, 130, 135,
181/143, 144, 147, 148, 150, 153, 159, 198,
181/199; 370/430, 431; 381/380, 381, 370,
381/371, 379, 345, 328, 355, 180, 356,
381/300-303, 306, 332, 333, 336, 361-364,
381/385-386; 455/90.3, 575.1
CPC H04R 25/00; H04R 1/10; H04R 1/1066;
H04R 1/02
See application file for complete search history.

(56) **References Cited**

U.S. PATENT DOCUMENTS

1,080,953 A * 12/1913 Catucci H04R 7/14
181/164

D68,060 S * 8/1925 Pacent D14/249

2,118,993 A * 5/1938 Volf H04R 1/083
381/180

2,145,449 A * 1/1939 Lockhart H04R 17/02
181/126

2,490,138 A * 12/1949 Kettler H04R 1/083
137/535

D185,505 S * 6/1959 Lowell D14/219

3,488,457 A * 1/1970 Lahti H04R 1/1008
381/371

3,730,181 A * 5/1973 Fling A61F 11/08
128/868

D244,781 S * 6/1977 Saidel D14/219

4,037,064 A * 7/1977 Yasuda H04R 5/027
381/26

D249,508 S * 9/1978 Coughlin D14/223

D254,183 S * 2/1980 Doodson D14/205

D255,069 S * 5/1980 Wierdo D6/390

D262,019 S * 11/1981 Upshaw D14/205

D272,904 S * 3/1984 Kawano D14/205

D297,761 S * 9/1988 Shiraki D23/370

(Continued)

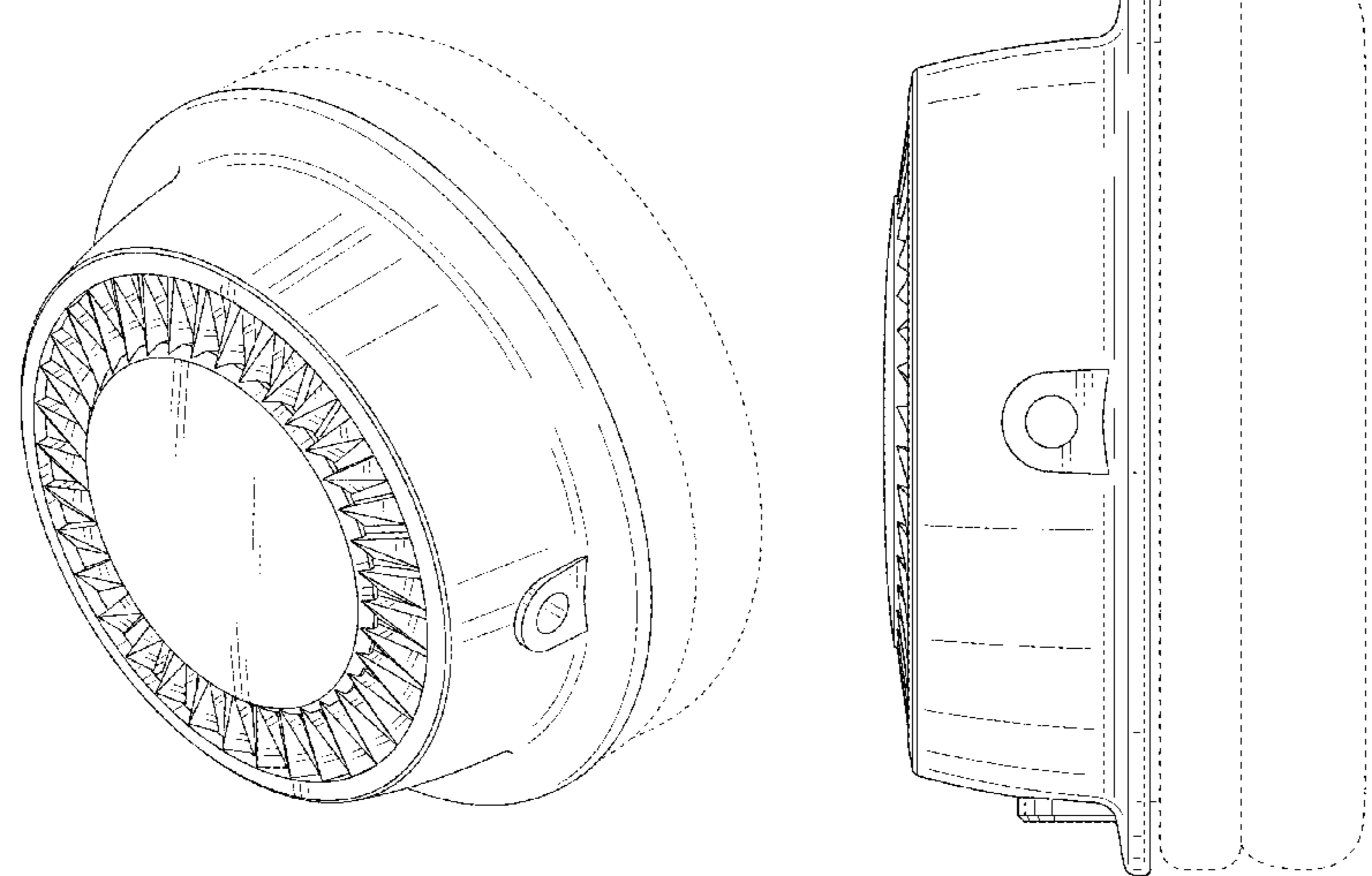
Primary Examiner — Paula Greene
(74) *Attorney, Agent, or Firm* — Sughrue Mion, PLLC

(57) **CLAIM**
The ornamental design for a speaker for headphone, as shown and described.

DESCRIPTION

FIG. 1 is a perspective view of a speaker for headphone showing my new design;
FIG. 2 is a front view thereof;
FIG. 3 is a rear view thereof;
FIG. 4 is a left side view thereof;
FIG. 5 is a right side view thereof;
FIG. 6 is a top plan view thereof;
FIG. 7 is a bottom view thereof; and,
FIG. 8 is a reference view of usage thereof.
The broken line showing of the speaker for headphone is included for the purpose of illustrating portions of the speaker for headphone and forms no part of the claimed design.

1 Claim, 7 Drawing Sheets



(56)

References Cited

U.S. PATENT DOCUMENTS

5,018,599	A *	5/1991	Dohi	H04R 1/1008				
					181/129				
D348,067	S *	6/1994	Lucey	D14/223				
5,684,883	A *	11/1997	Chen	H02G 11/02				
					381/370				
D423,012	S *	4/2000	Yasutomi	D14/205				
D431,550	S *	10/2000	Yoneda	D14/205				
D435,249	S *	12/2000	Yasutomi	D14/205				
D484,485	S *	12/2003	Matsuoka	D14/205				
D484,868	S *	1/2004	Suzuki	D14/205				
6,731,772	B1 *	5/2004	Byun	H04R 1/12				
					181/130				
D514,095	S *	1/2006	Wilson	D14/223				
D600,675	S *	9/2009	Lee	D14/205				
D604,266	S *	11/2009	Milde	D14/205				
D635,958	S *	4/2011	Ando	D14/205				
D647,081	S *	10/2011	Kwon	D14/223				
D654,475	S *	2/2012	Chen	D14/215				
D657,776	S *	4/2012	Lee	D14/205				
8,165,332	B2 *	4/2012	Giese	H04R 25/456				
					381/328				
8,189,847	B2 *	5/2012	Huang	H04R 1/1075				
					381/186				
D666,993	S *	9/2012	Kelley	D14/205				
D671,914	S *	12/2012	Lee	D14/205				
D684,559	S *	6/2013	Groset	D14/205				
D689,843	S *	9/2013	Lee	D14/205				
8,755,555	B2 *	6/2014	Dougherty	H04R 1/1066				
					381/370				
D723,509	S *	3/2015	Garland	D14/205				
D725,636	S *	3/2015	McNamara	D14/205				
D728,512	S *	5/2015	Nakagawa	D14/205				
D736,174	S *	8/2015	Levine	D14/205				
D746,792	S *	1/2016	Kim	D14/205				
D750,041	S *	2/2016	Birger	D14/205				
D752,017	S *	3/2016	Daniel	D14/205				
2009/0279729	A1 *	11/2009	Huang	H04R 1/24				
					381/345				

* cited by examiner

Fig. 1

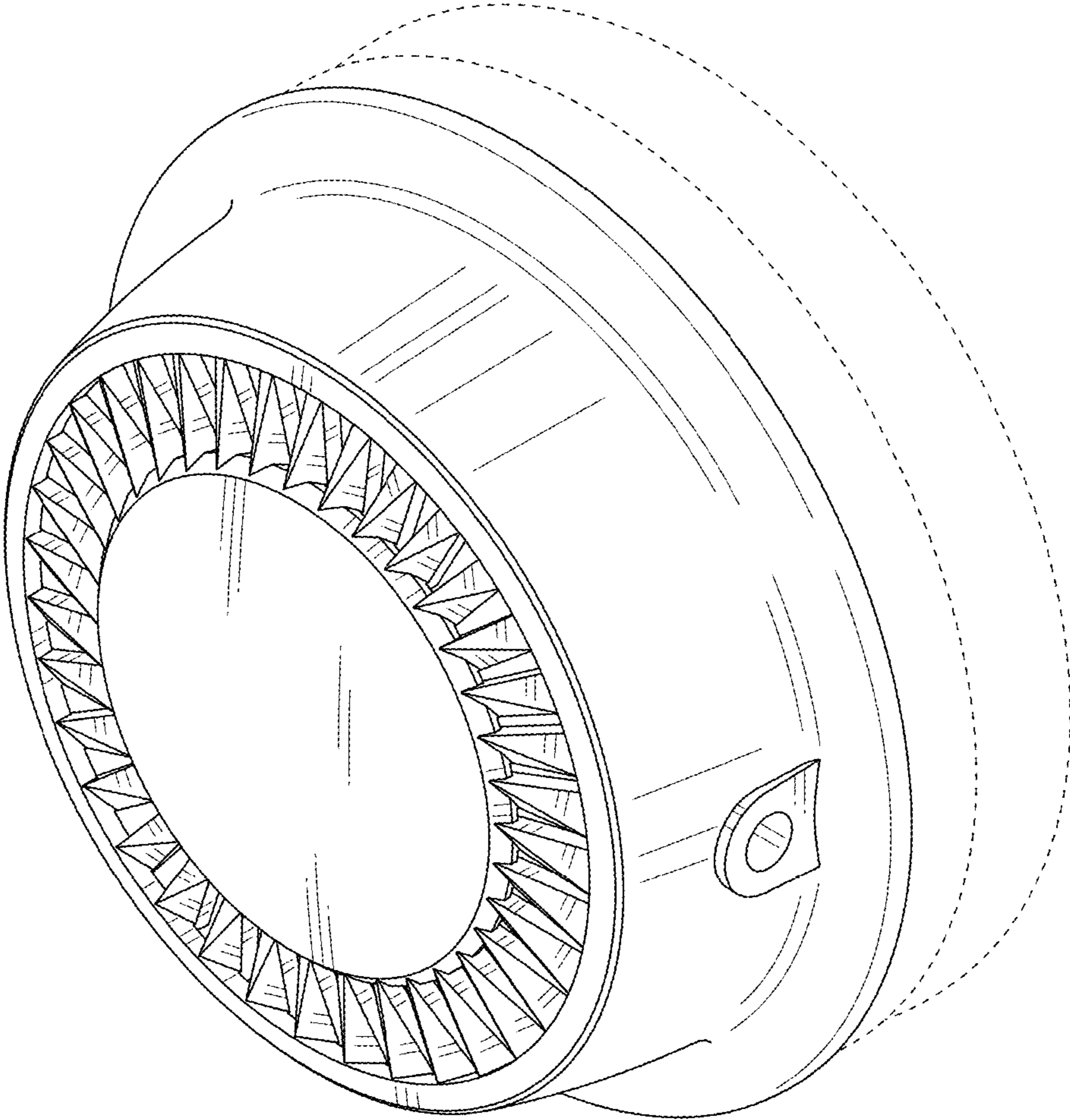


Fig. 2

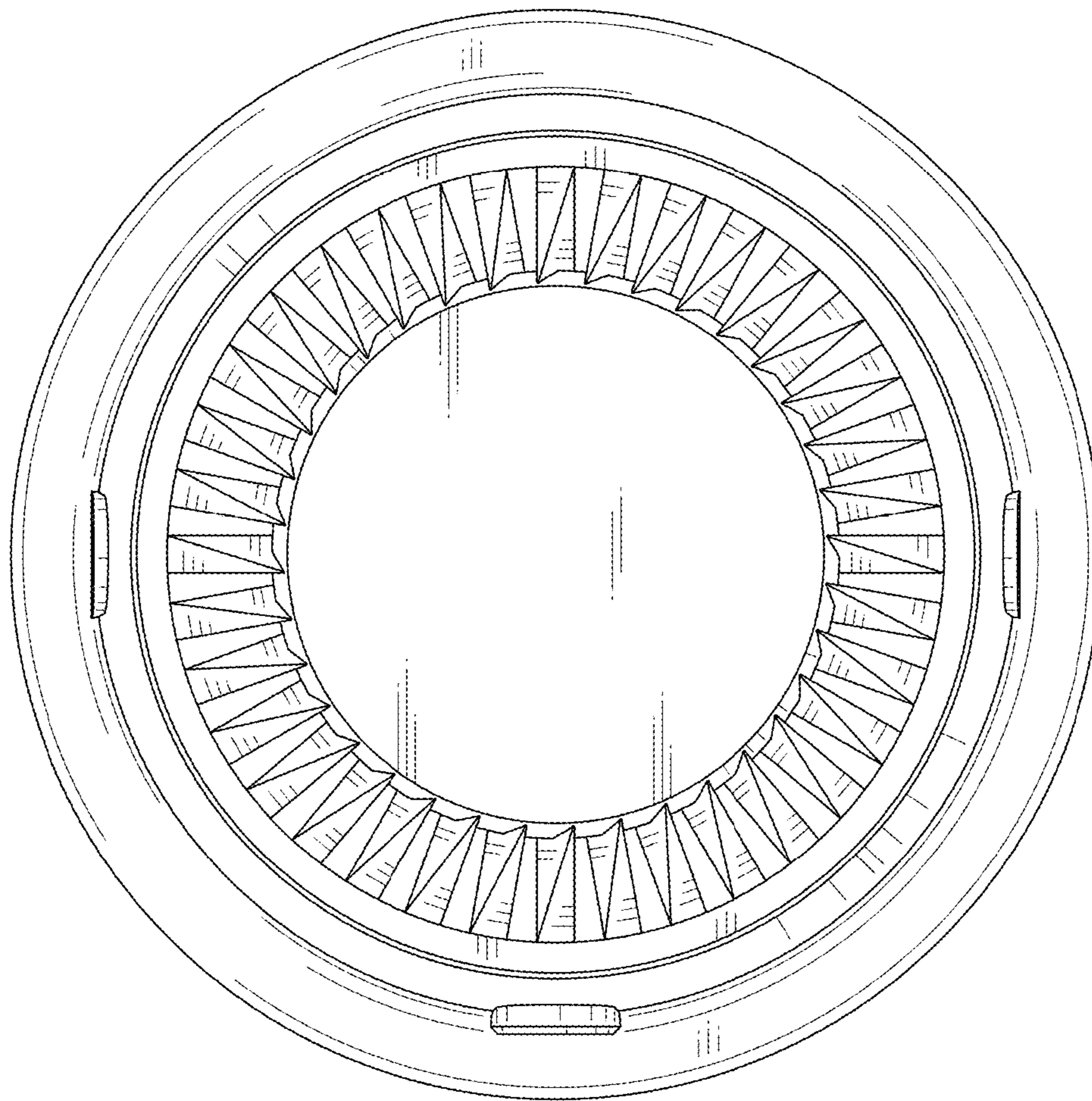


Fig. 3

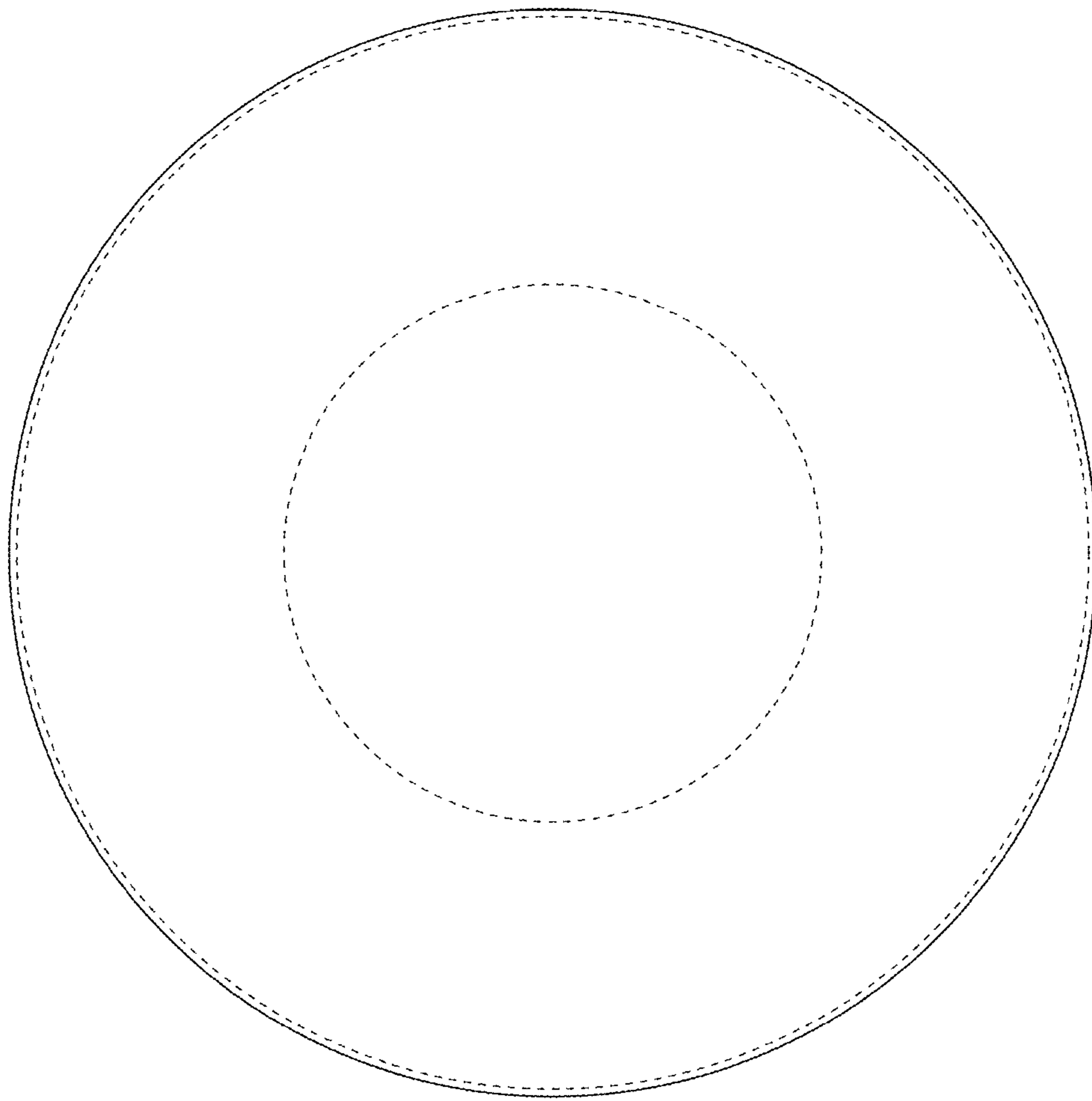


Fig. 4

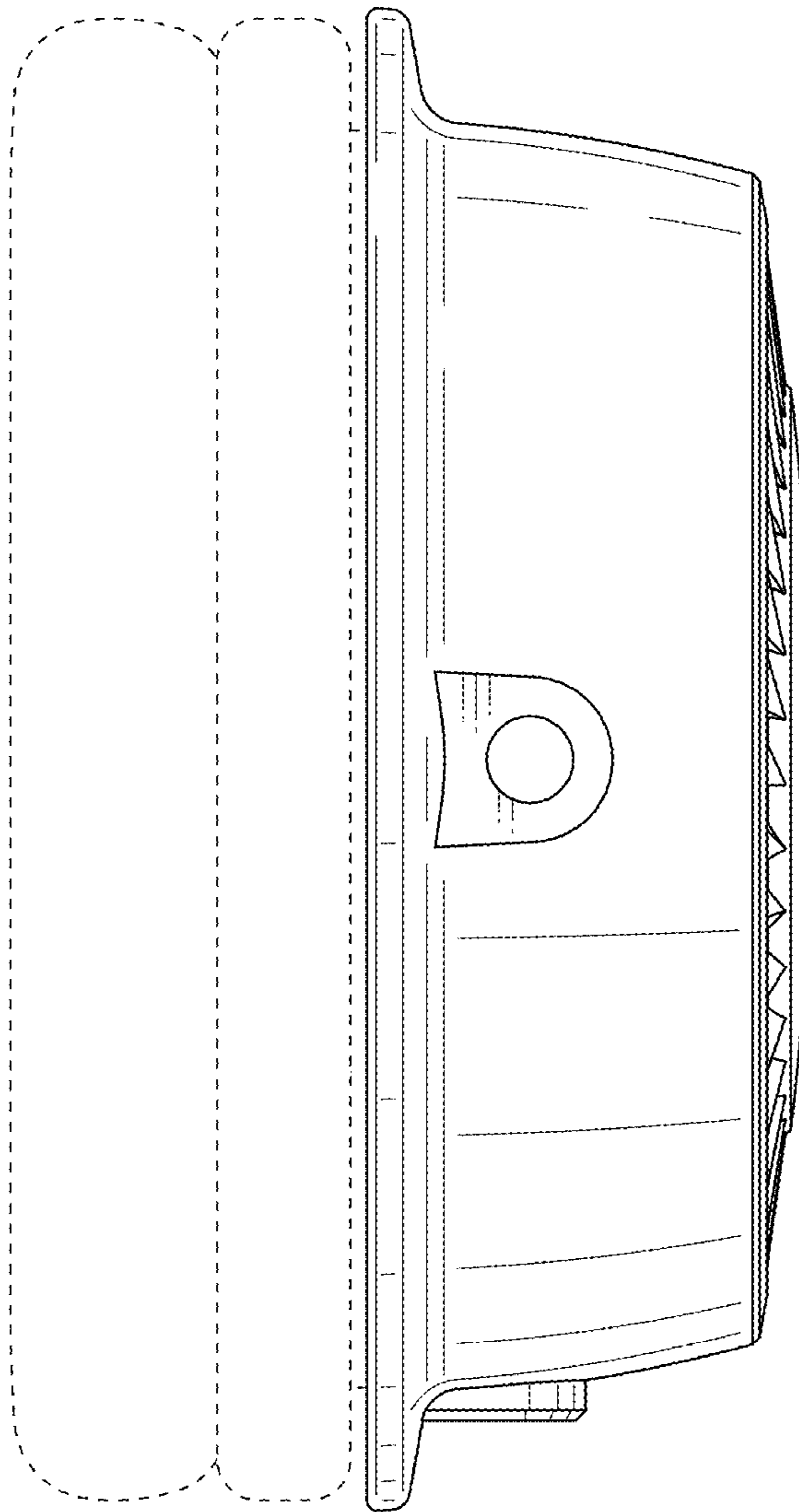


Fig. 5

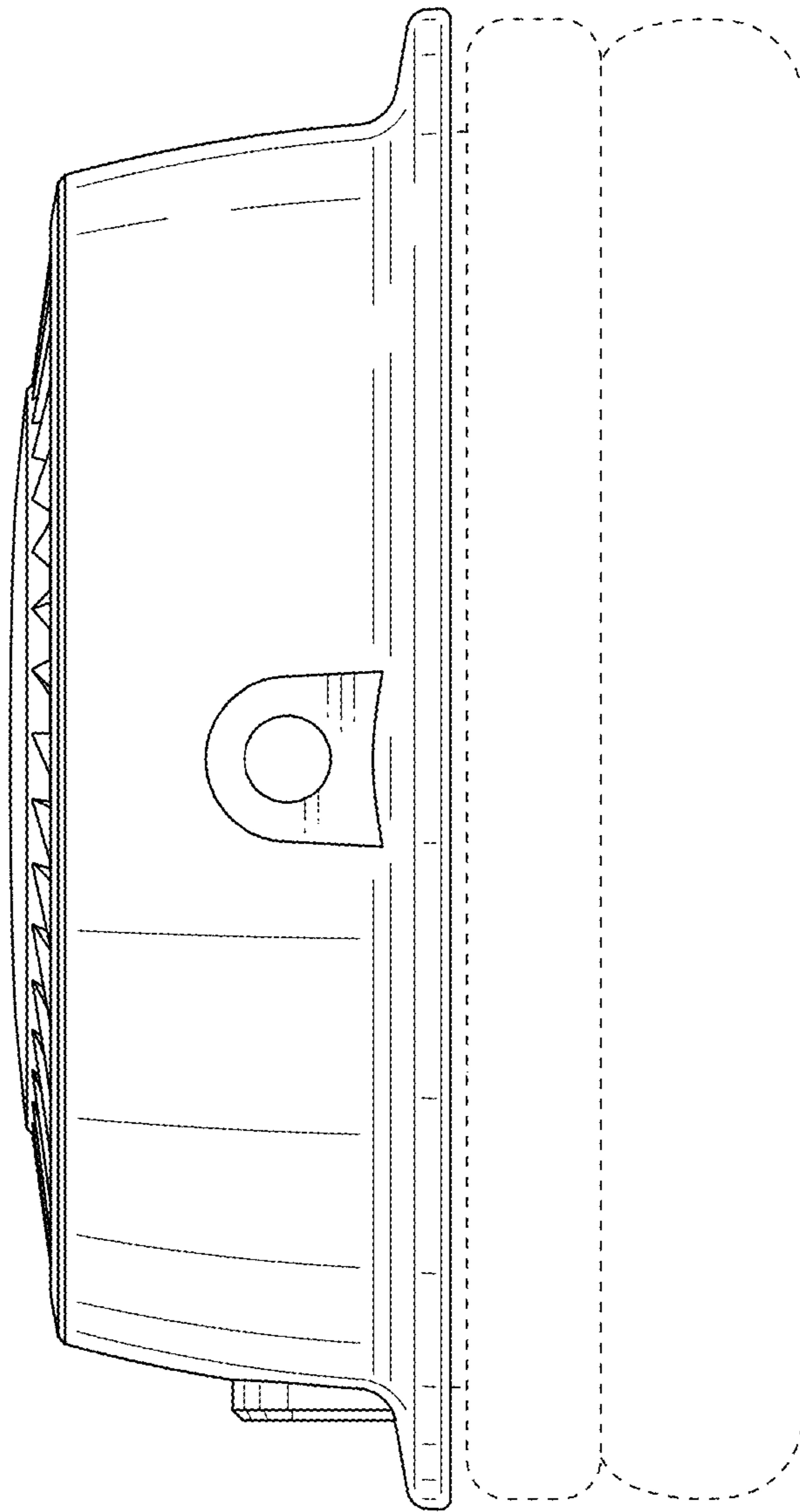


Fig. 6

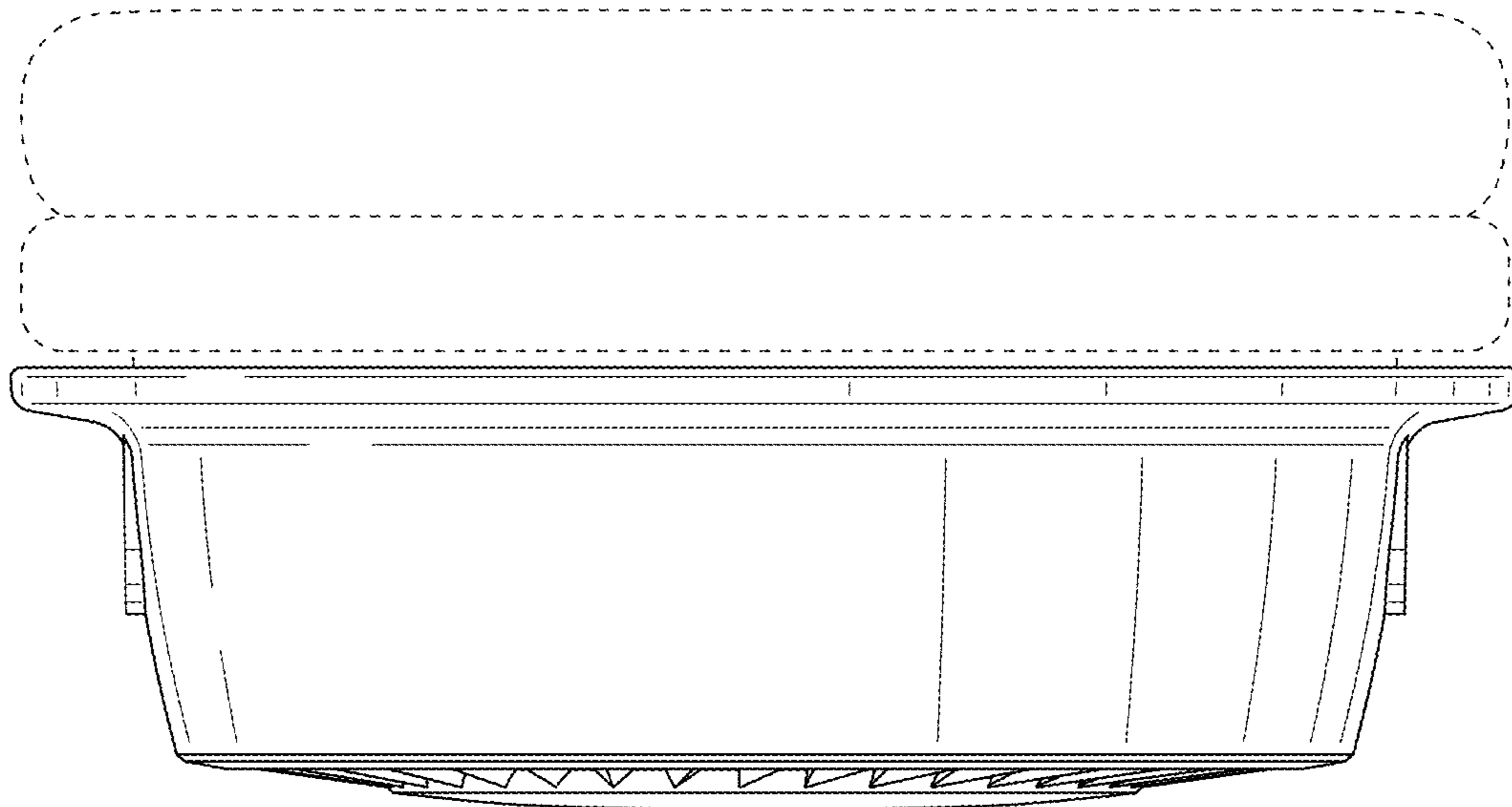


Fig. 7

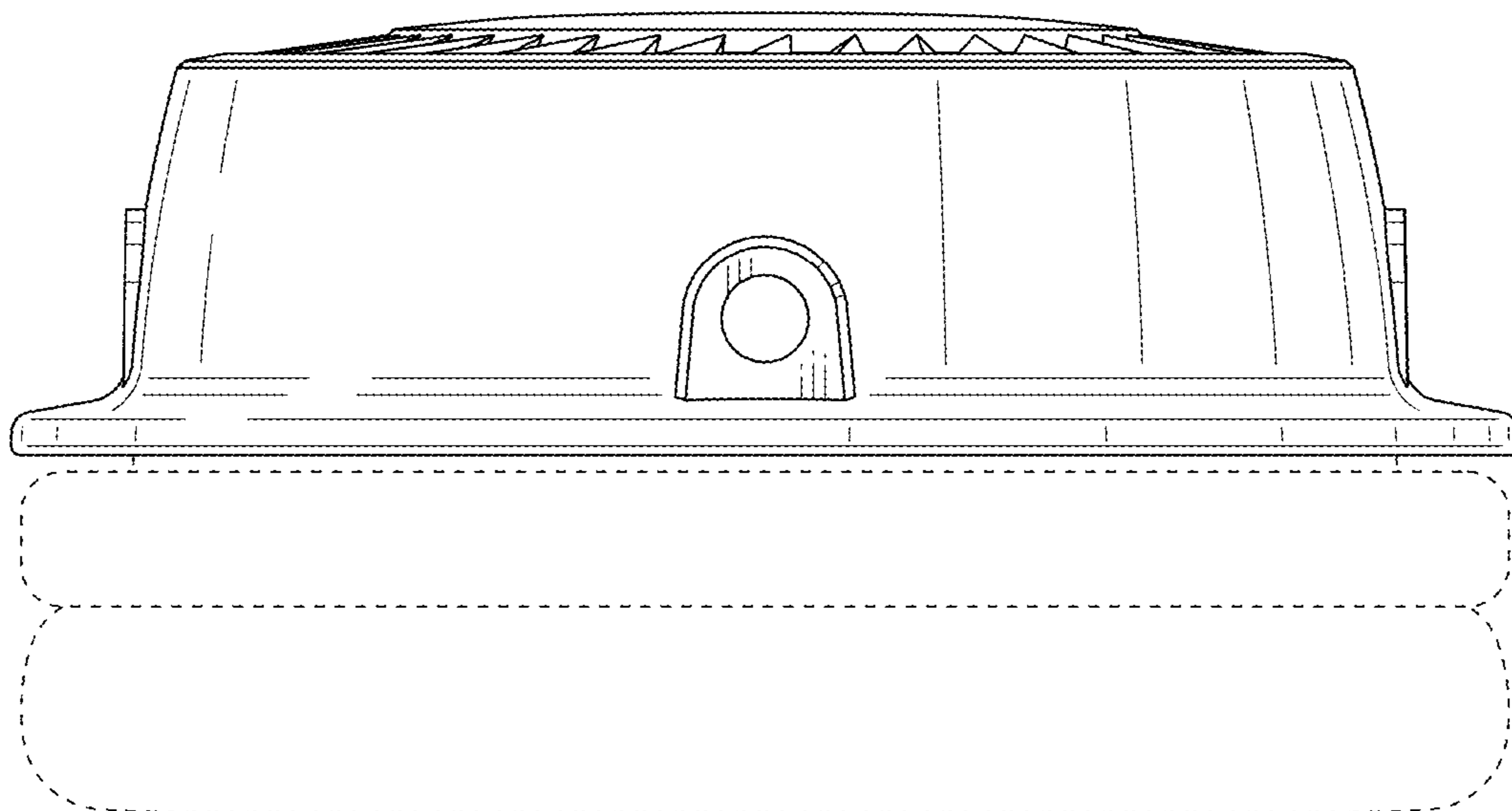


Fig. 8

