



US00D769218S

(12) **United States Design Patent**
Mittal

(10) **Patent No.:** **US D769,218 S**

(45) **Date of Patent:** **** Oct. 18, 2016**

(54) **ERGONOMIC WIRELESS DEVICE**

(71) Applicant: **Sharad Mittal**, Bellevue, WA (US)

(72) Inventor: **Sharad Mittal**, Bellevue, WA (US)

(**) Term: **14 Years**

(21) Appl. No.: **29/466,384**

(22) Filed: **Sep. 6, 2013**

(51) **LOC (10) Cl.** **14-01**

(52) **U.S. Cl.**
USPC **D14/205**

(58) **Field of Classification Search**
USPC D14/205; D29/112; 2/209; 181/129,
181/130, 135; 379/430, 431; 381/380, 381,
381/370, 375; 455/90.3, 575.1
CPC H04R 1/10; H04R 1/1066; H04R 1/1016
See application file for complete search history.

(56) **References Cited**

U.S. PATENT DOCUMENTS

D351,598 S *	10/1994	Nakamura	D14/205
D439,574 S *	3/2001	Katayama	D14/203.5
D444,140 S *	6/2001	Ishibashi	D14/192
D453,015 S *	1/2002	Yuyama	D14/205
D477,820 S *	7/2003	Suzuki et al.	D14/205
6,654,966 B2 *	12/2003	Rolla	2/209
D504,414 S *	4/2005	Yoshida	D14/192
D505,411 S *	5/2005	Sakai	D14/192
D508,908 S *	8/2005	Chueh	D14/205
D540,301 S *	4/2007	Obata	D14/205
D540,302 S *	4/2007	Hagiwara et al.	D14/205
D557,684 S *	12/2007	Pundsack et al.	D14/205

D588,100 S *	3/2009	Densho et al.	D14/205
D591,263 S *	4/2009	Shimizu	D14/205
D592,640 S *	5/2009	Tkachuk	D14/205
7,720,246 B2 *	5/2010	Wang et al.	381/383
D692,410 S *	10/2013	Brunner et al.	D14/206
D695,264 S *	12/2013	Chee	D14/205
2007/0154051 A1 *	7/2007	Wang et al.	381/384

* cited by examiner

Primary Examiner — Paula Greene

(74) *Attorney, Agent, or Firm* — Laurence P. Colton;
Smith Tempel Blaha LLC

(57) **CLAIM**

The ornamental design for an ergonomic wireless device, as shown and described.

DESCRIPTION

FIG. 1 is a perspective view of the ergonomic wireless device of the present design.

FIG. 2 is a front view of the ergonomic wireless device of FIG. 1.

FIG. 3 is a rear view of the ergonomic wireless device of FIG. 1.

FIG. 4 is a top view of the ergonomic wireless device of FIG. 1.

FIG. 5 is a bottom view of the ergonomic wireless device of FIG. 1.

FIG. 6 is a left side view of the ergonomic wireless device of FIG. 1; and,

FIG. 7 is a right side view of the ergonomic wireless device of FIG. 1.

1 Claim, 7 Drawing Sheets

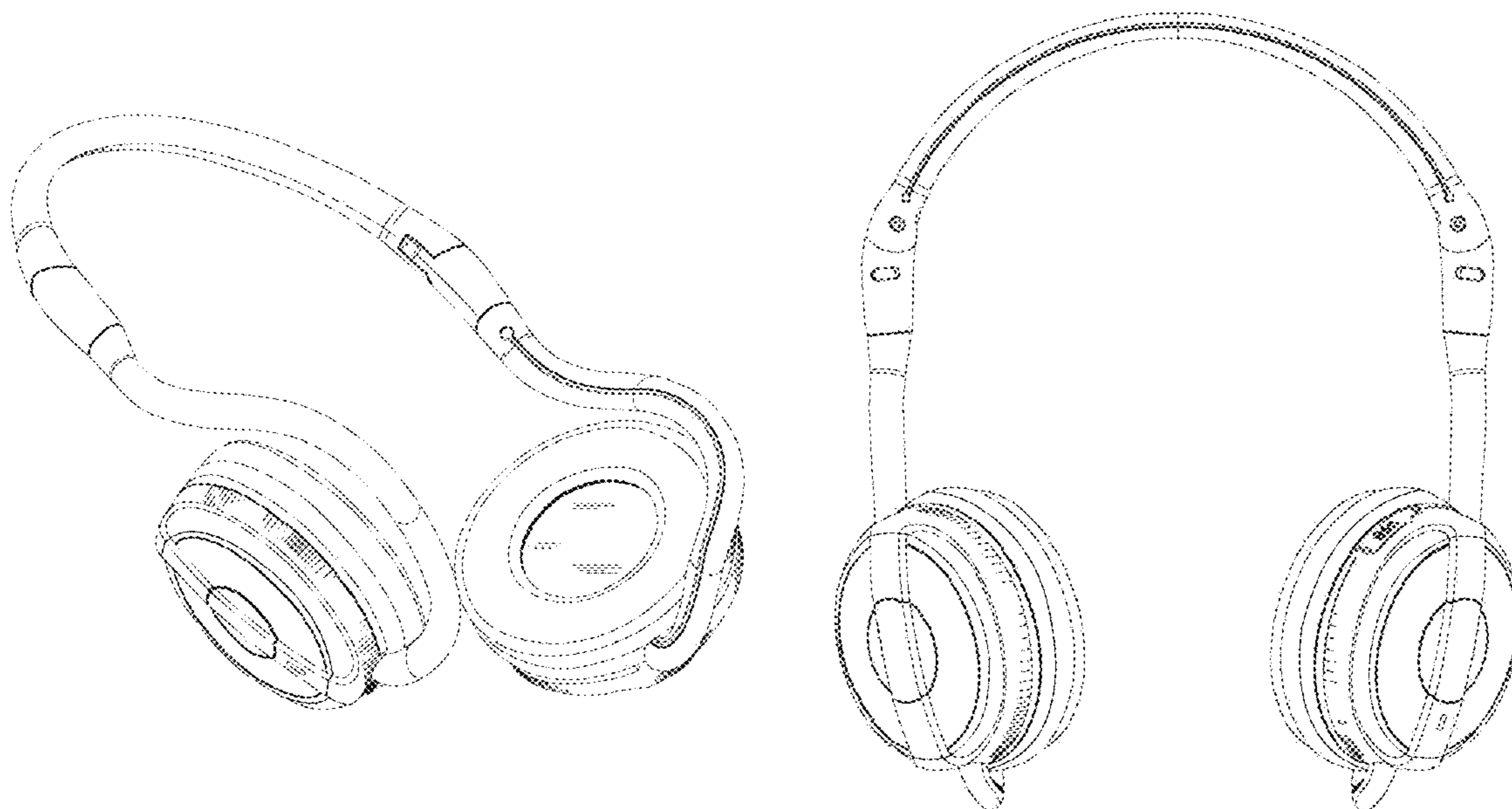




FIG. 1



FIG. 2



FIG. 3

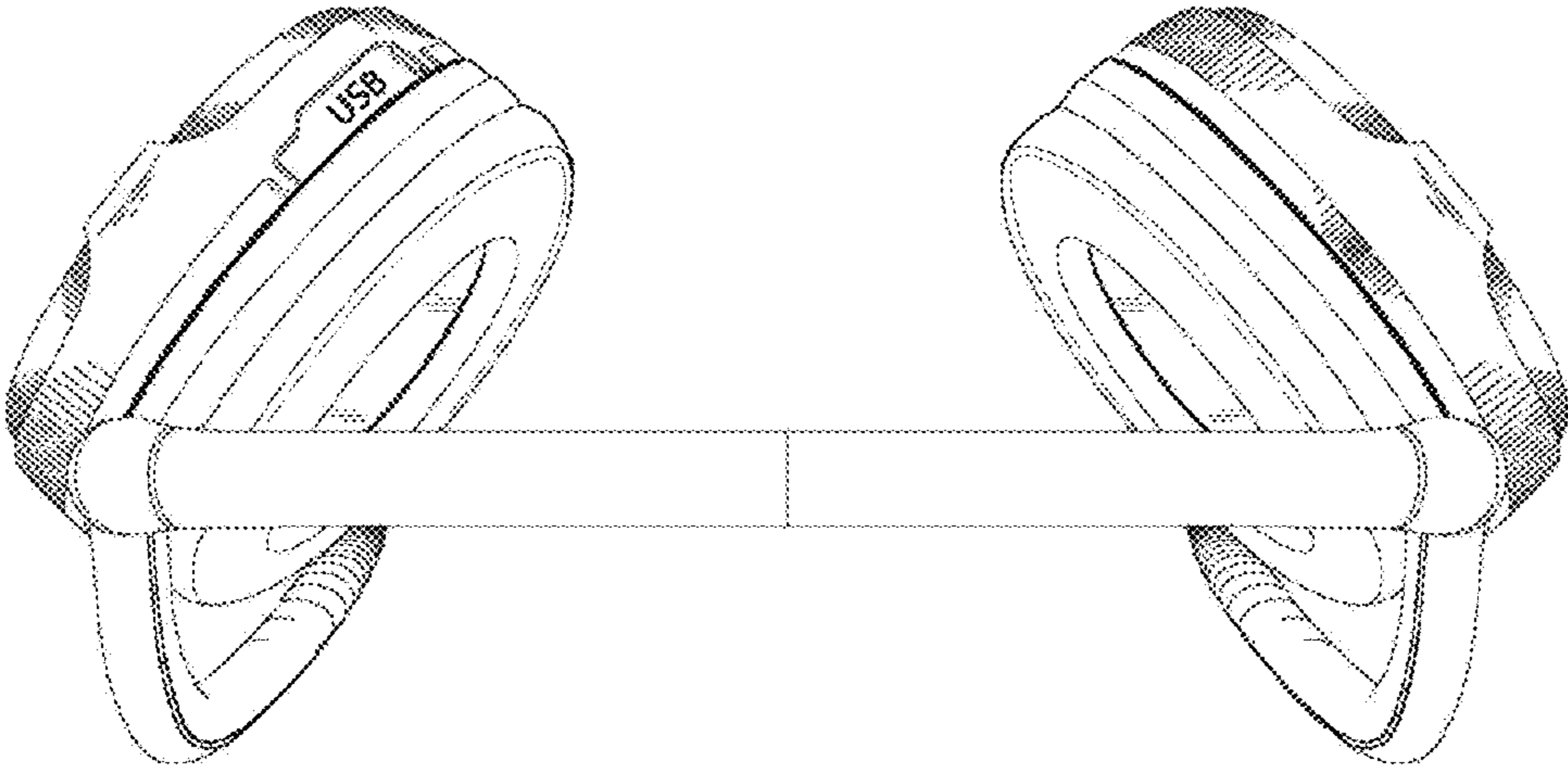


FIG. 4

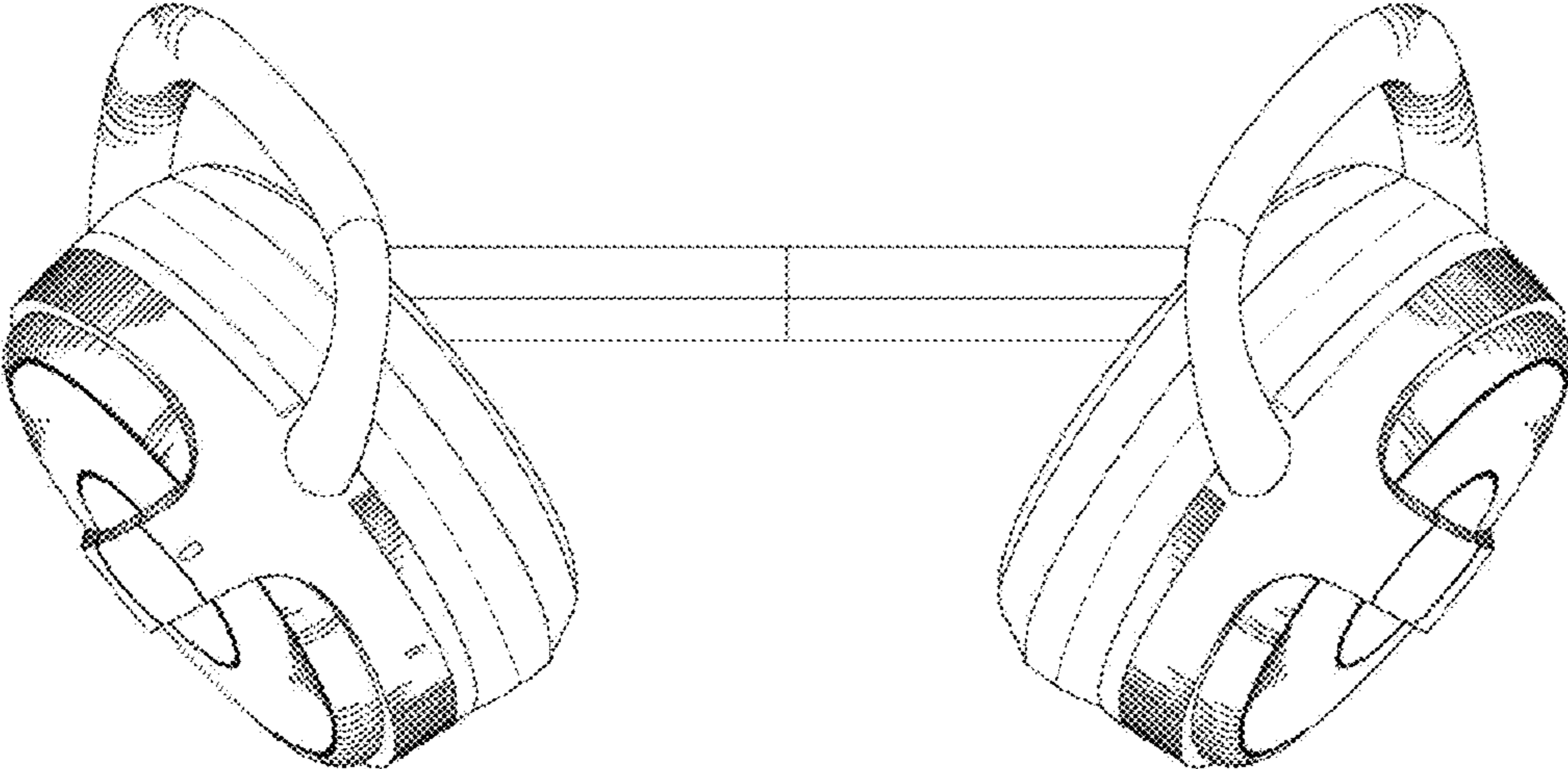


FIG. 5

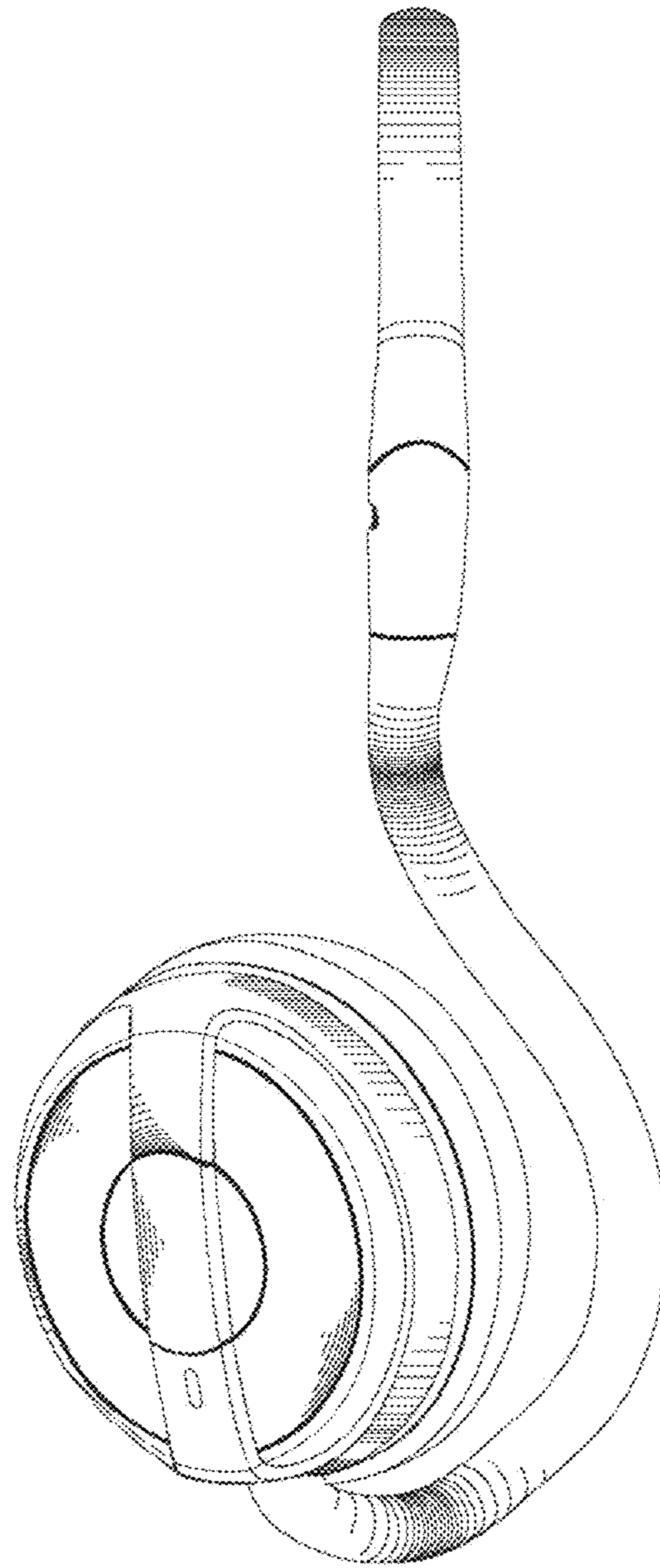


FIG. 6

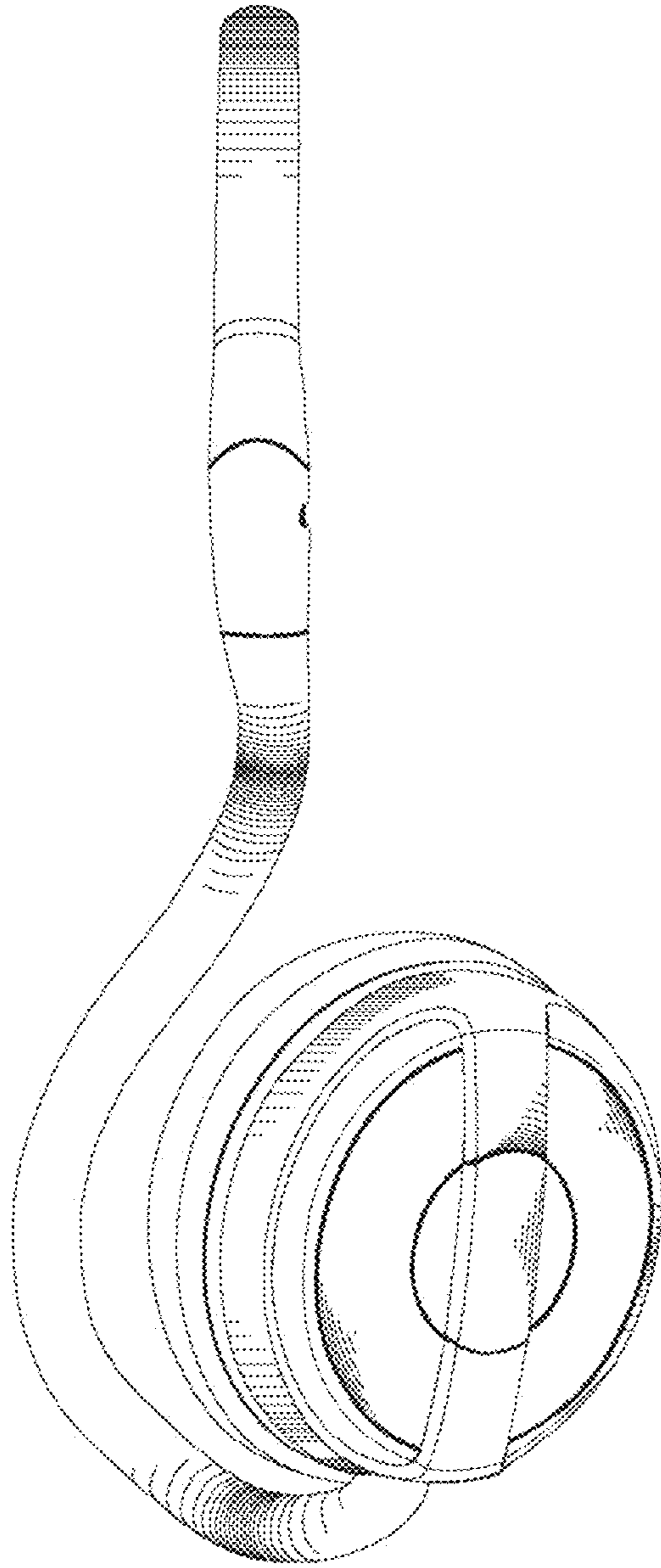


FIG. 7