



US00D769215S

(12) **United States Design Patent**
Andrews et al.

(10) **Patent No.:** **US D769,215 S**
(45) **Date of Patent:** **** Oct. 18, 2016**

- (54) **LOUDSPEAKER**
- (71) Applicant: **Funktion One Research**, Dorking, Surrey (GB)
- (72) Inventors: **Anthony John Andrews**, Dorking (GB); **John Newsham**, Dorking (GB); **Toby Charles Collingwood Hunt**, Dorking (GB); **Thomas Gude**, Redhill (GB)
- (73) Assignee: **FUNKTION ONE RESEARCH**, Dorking, Surrey (GB)
- (**) Term: **14 Years**
- (21) Appl. No.: **29/514,581**
- (22) Filed: **Jan. 14, 2015**
- (30) **Foreign Application Priority Data**

Jul. 15, 2014 (EM) 002503136-0007

- (51) **LOC (10) Cl.** **14-01**
- (52) **U.S. Cl.**
USPC **D14/204**; D14/214
- (58) **Field of Classification Search**
USPC D14/210, 204, 209, 209.1, 211, 212, D14/213, 217, 221, 222, 224, 224.1, 238, D14/265, 299, 214; 181/144, 145, 156, 173, 181/151, 152, 148, 159, 160, 199; 381/190, 381/193, 386
CPC H05K 5/00; H04R 25/00; H04R 1/26
See application file for complete search history.

(56) **References Cited**
U.S. PATENT DOCUMENTS

- 698,145 A * 4/1902 Newman et al. F23L 7/005
110/314
- 1,829,355 A * 10/1931 Houghton H04R 7/20
181/173

- 2,034,014 A * 3/1936 Case H04R 1/323
181/151
- 2,038,253 A * 4/1936 Wheeler H04R 1/345
181/155
- 2,537,141 A * 1/1951 Klipsch G10K 11/025
181/187
- 2,815,087 A * 12/1957 Delort H04R 1/30
181/152
- D186,669 S * 11/1959 Richards et al. D14/212
- 3,135,838 A * 6/1964 Wright H04R 19/02
381/116
- 3,142,353 A * 7/1964 Todisco H04R 1/2826
181/145
- 3,356,179 A * 12/1967 Tompkins H04R 1/30
181/152
- 3,382,947 A * 5/1968 Biggs E04B 1/994
181/30
- 3,563,337 A * 2/1971 Kawamura H04R 7/20
181/166
- D221,665 S * 8/1971 Iida et al. D14/212
- D243,023 S * 1/1977 Robson D14/214
- D243,252 S * 2/1977 Tushinsky D14/219
- D244,698 S * 6/1977 Babb D12/206
- 4,031,337 A * 6/1977 Okamura H04R 9/06
181/159
- D247,490 S * 3/1978 Everidge D14/212

(Continued)

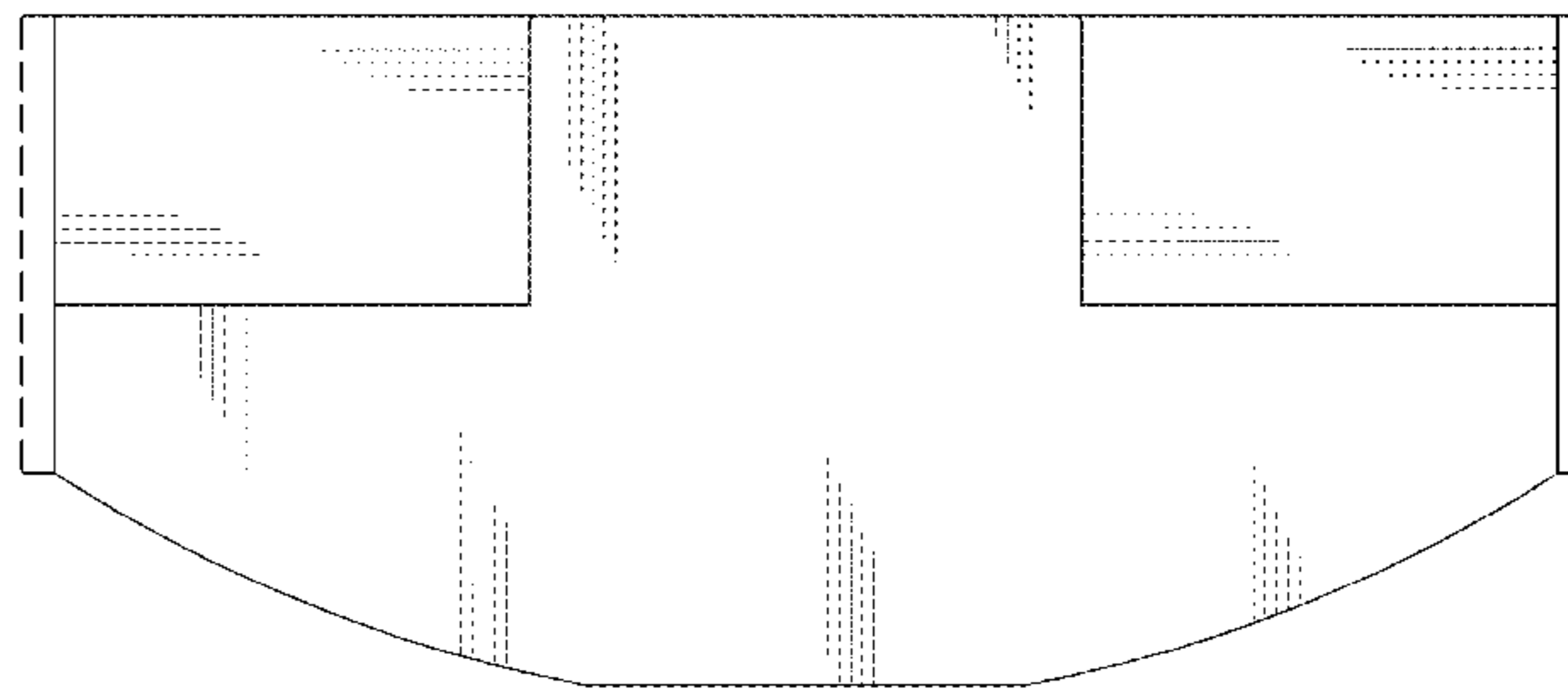
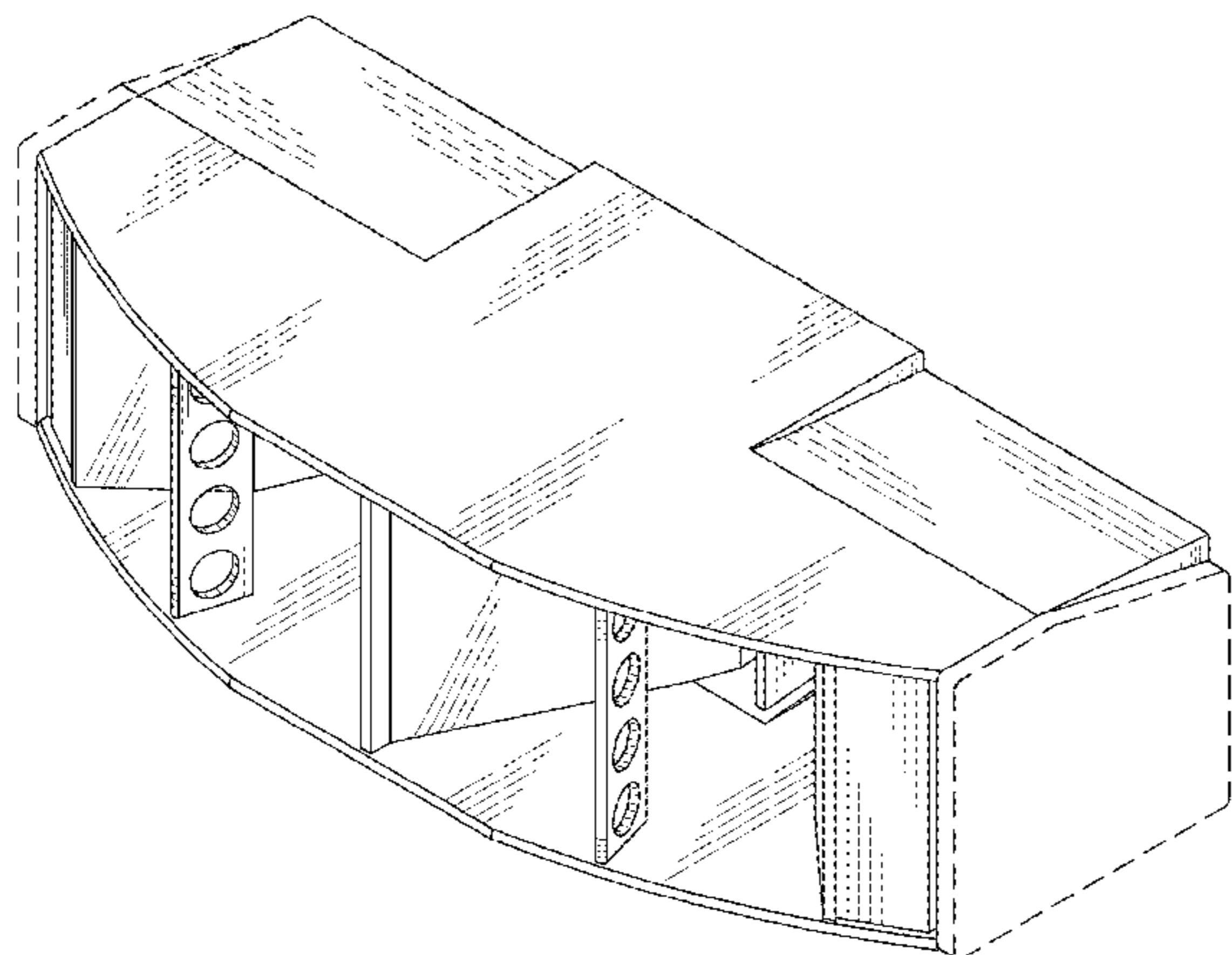
Primary Examiner — Paula Greene
(74) *Attorney, Agent, or Firm* — Fenwick & West LLP

(57) **CLAIM**
We claim the ornamental design for a loudspeaker, as shown and described.

DESCRIPTION

FIG. 1 is an isometric view of a first embodiment of a loudspeaker.
FIG. 2 is a top view thereof.
FIG. 3 is a bottom view thereof.
FIG. 4 is a rear view thereof.
FIG. 5 is right side view thereof.
FIG. 6 is a left side view thereof; and,
FIG. 7 is a front view thereof.
The broken lines in the figures form no part of the claimed design.

1 Claim, 7 Drawing Sheets



(56)

References Cited

U.S. PATENT DOCUMENTS

4,091,891 A * 5/1978 Hino G10K 11/24
181/185
D251,973 S * 5/1979 Klopfer D14/214
4,227,050 A * 10/1980 Wilson H04R 5/02
181/144
4,244,439 A * 1/1981 Wested E01F 8/0035
181/210
D266,243 S * 9/1982 Gollehon D14/215
D269,872 S * 7/1983 Ishizaki D14/214
4,398,619 A * 8/1983 Daniel H04R 1/2811
181/145
4,628,528 A * 12/1986 Bose H04R 3/04
181/145
D290,699 S * 7/1987 Nakamura D14/214
D291,601 S * 8/1987 D'Antonio D14/204
4,843,624 A * 6/1989 Rashak H04R 1/026
181/199
4,984,653 A * 1/1991 Spors H04R 1/345
181/144
5,020,630 A * 6/1991 Guinness H04R 1/30
181/187
5,147,986 A * 9/1992 Cockrum H04R 29/003
181/145
D352,507 S * 11/1994 Price D14/215

D354,058 S * 1/1995 Bohannan D14/204
D372,918 S * 8/1996 Manganese D14/204
D376,363 S * 12/1996 Oberbillig D14/214
5,602,367 A * 2/1997 Meyer H04R 1/2819
181/145
D392,289 S * 3/1998 Isonaga D14/214
D405,794 S * 2/1999 Olsen D14/204
6,009,182 A * 12/1999 Guinness H04R 1/345
381/182
D419,158 S * 1/2000 Mackie D14/214
D432,115 S * 10/2000 Juskiewicz D14/204
6,393,131 B1 * 5/2002 Rexroat H04R 1/023
181/187
D473,212 S * 4/2003 Nugent D14/214
D486,475 S * 2/2004 Allen D14/214
D505,942 S * 6/2005 Meyer D14/214
D517,525 S * 3/2006 Baird D14/204
D549,691 S * 8/2007 Gould D14/214
D593,541 S * 6/2009 Muraoka D14/215
D640,668 S * 6/2011 Chern D14/214
D659,678 S * 5/2012 Miller D14/214
D670,266 S * 11/2012 Swendseid D14/204
D676,025 S * 2/2013 Davies D14/204
8,577,073 B2 * 11/2013 Tracy B60R 11/0217
181/150
2007/0209866 A1 * 9/2007 Frasl H04R 7/14
181/157

* cited by examiner

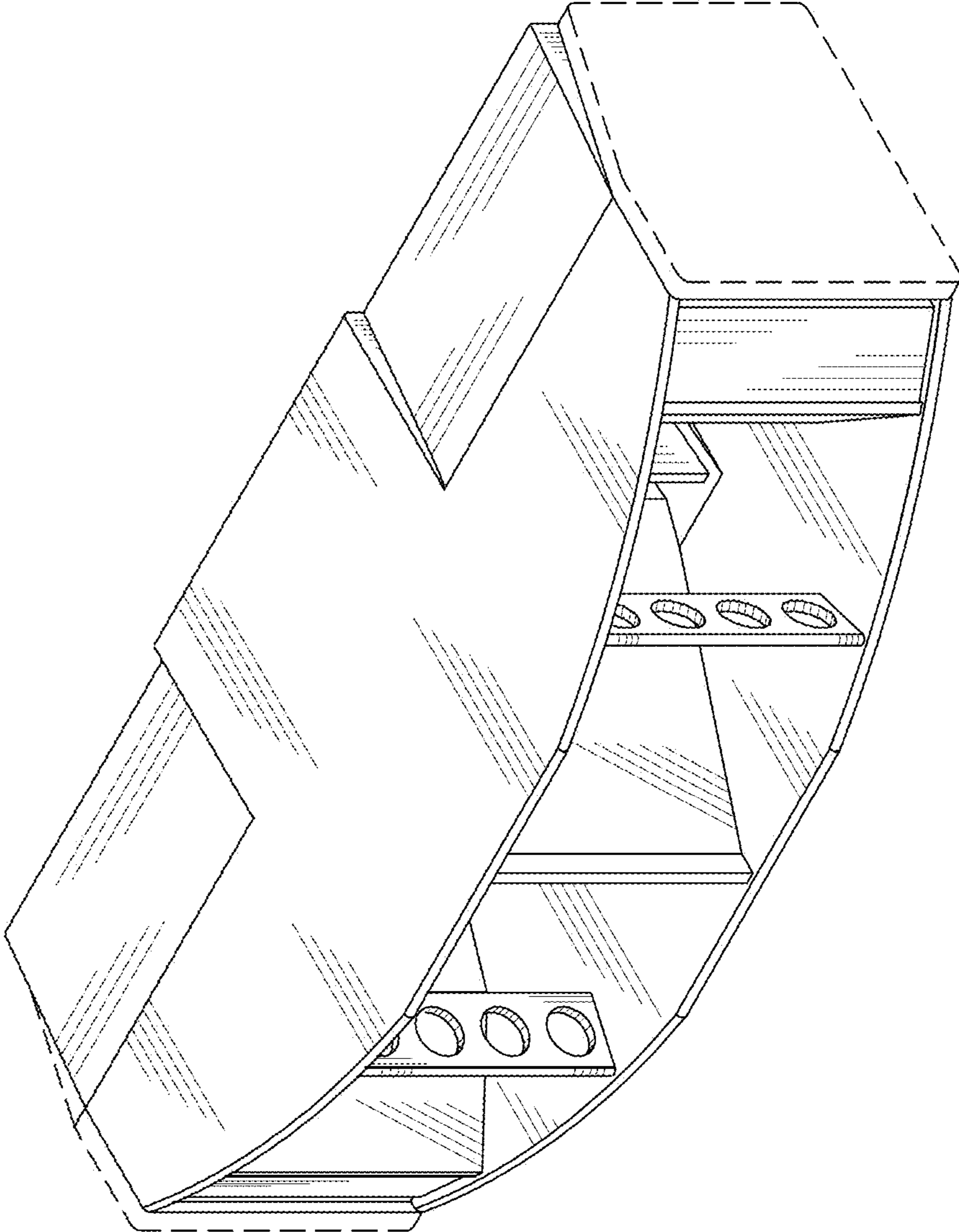


FIG. 1

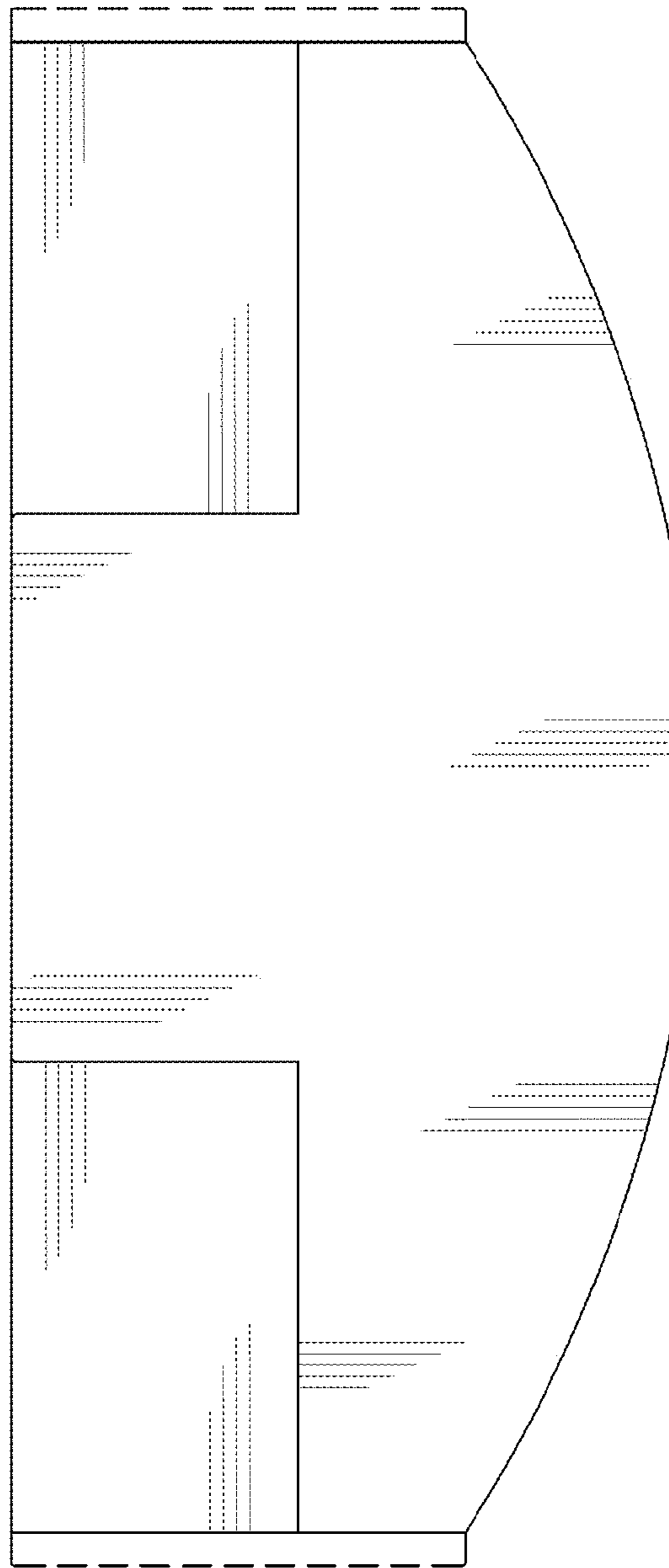


FIG. 2

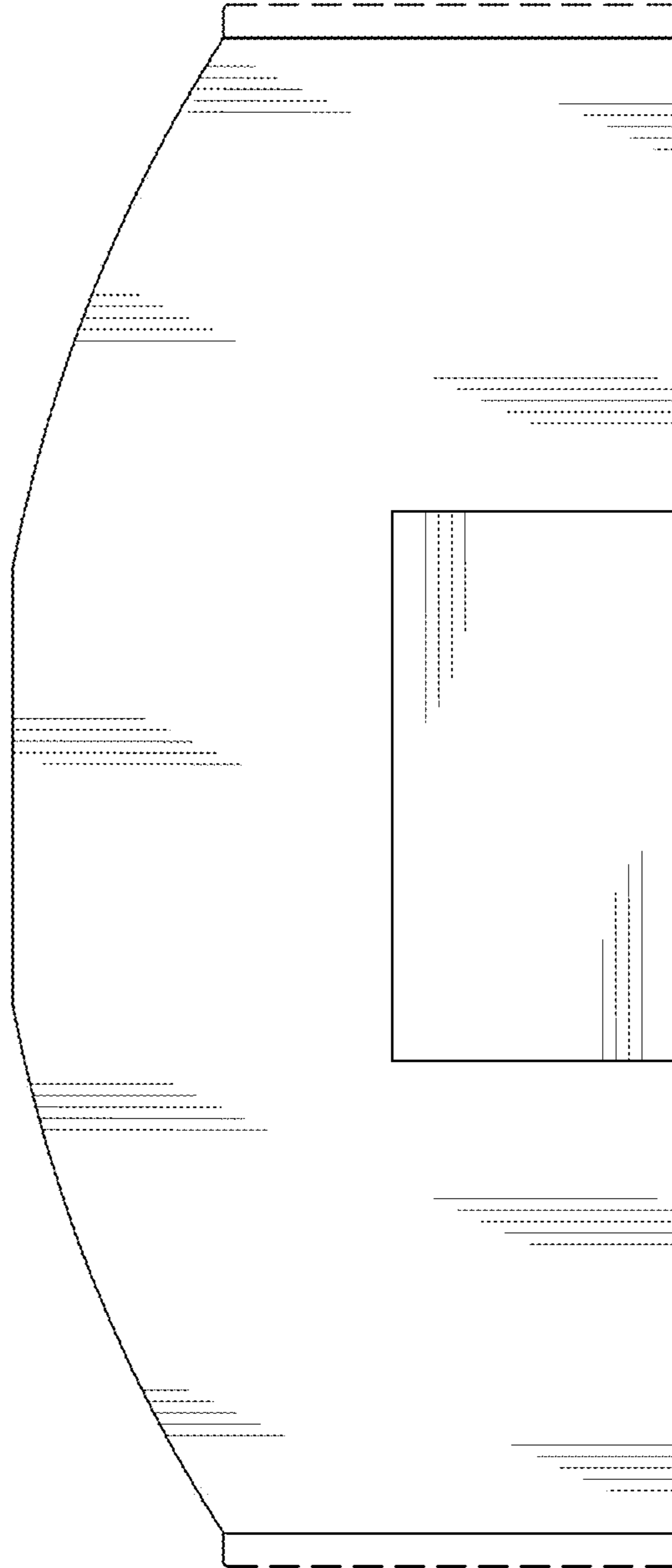


FIG. 3

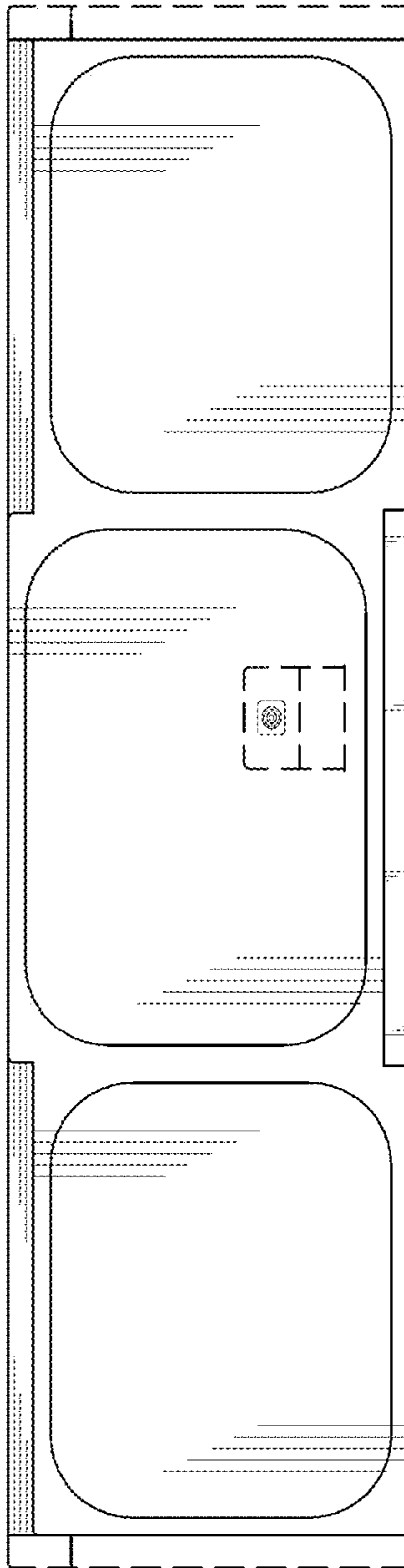


FIG. 4

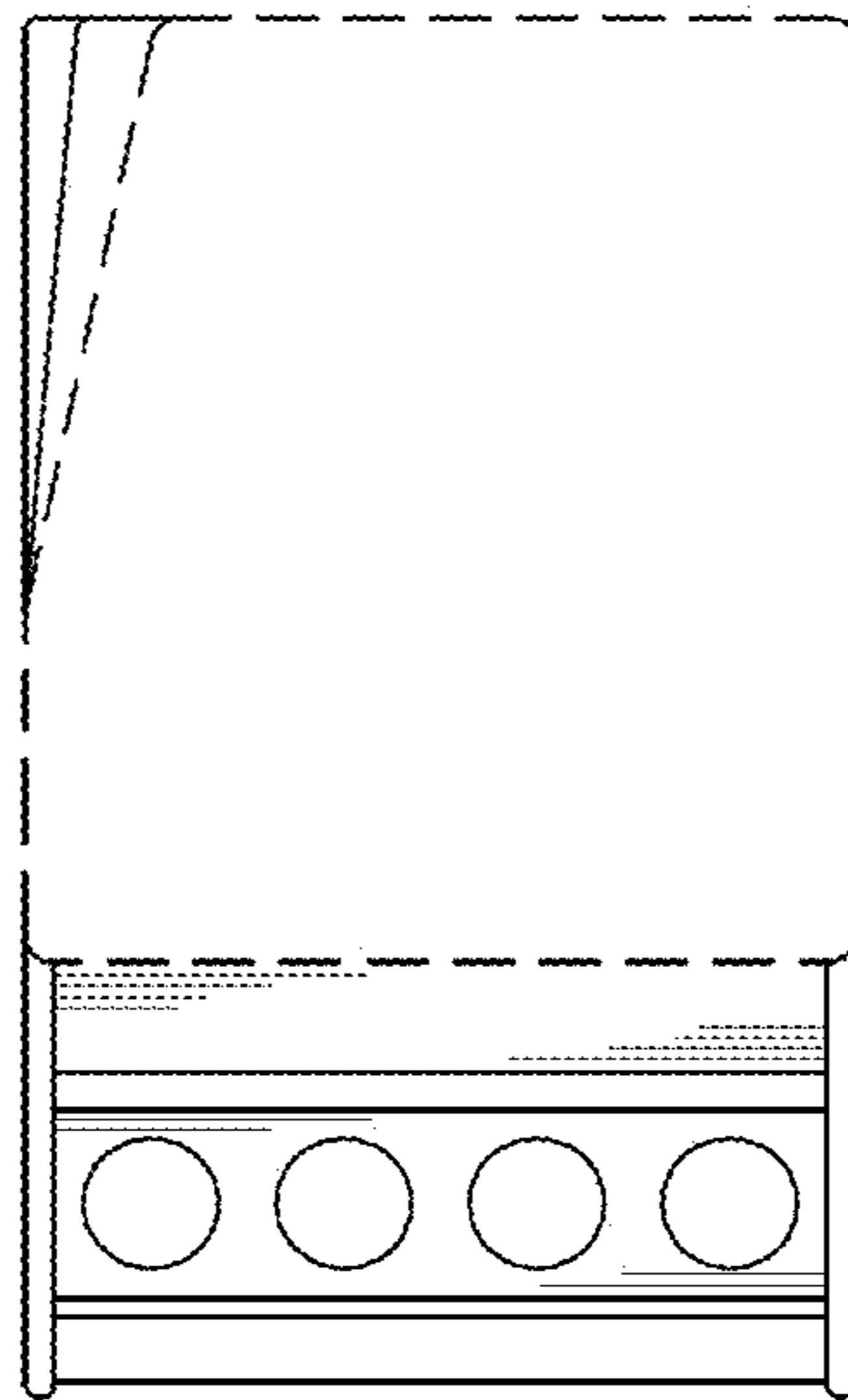


FIG. 5

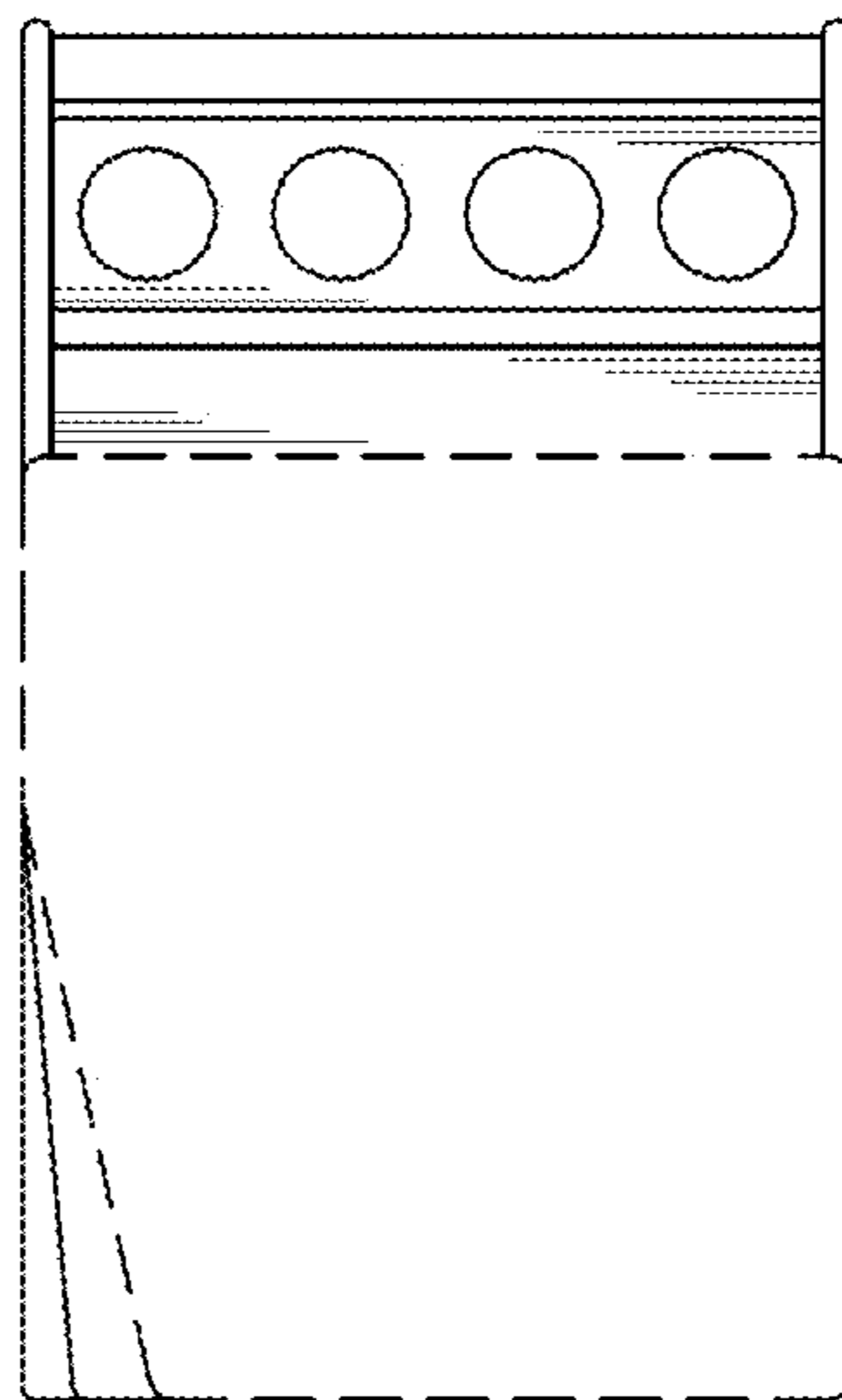


FIG. 6

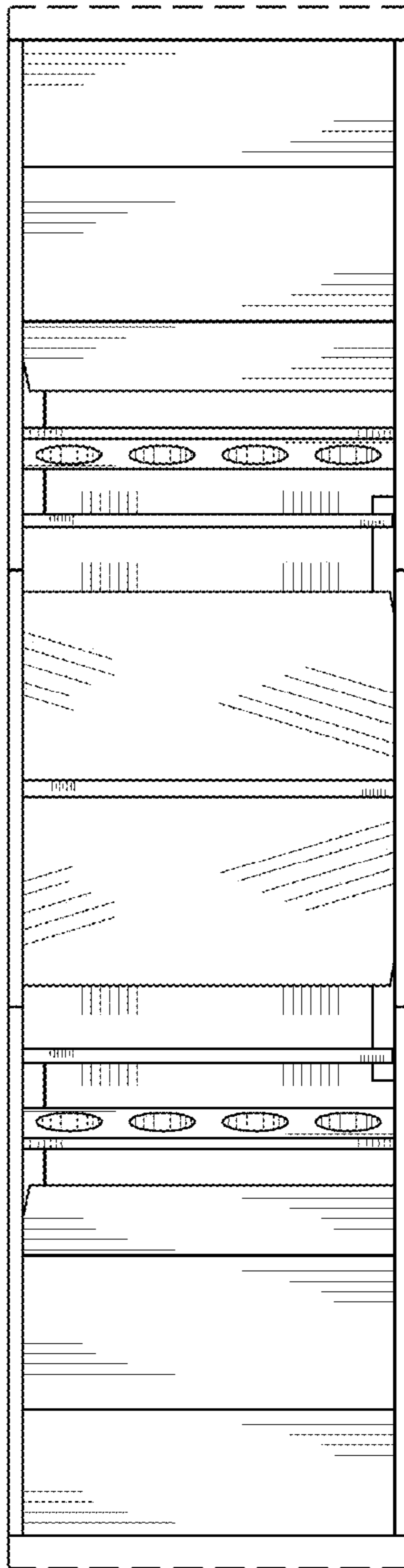


FIG. 7