



US00D769214S

(12) **United States Design Patent** (10) **Patent No.:** **US D769,214 S**
Warden (45) **Date of Patent:** **** Oct. 18, 2016**

(54) **SPEAKER**
(71) Applicant: **Bose Corporation**, Framingham, MA (US)
(72) Inventor: **Robert A. Warden**, Southborough, MA (US)
(73) Assignee: **Bose Corporation**, Framingham, MA (US)

D470,832 S *	2/2003	Oikawa	D14/168
D471,179 S *	3/2003	Suzuki	D14/215
D565,549 S *	4/2008	Sawhney	D14/214
D575,271 S *	8/2008	Baird	D14/214
D609,690 S *	2/2010	Jouin	D14/168
D616,411 S *	5/2010	Garrett	D10/2
D640,231 S *	6/2011	Joseph	D14/171
D642,555 S *	8/2011	Hawkins	D14/214
D645,844 S *	9/2011	McManigal	D14/214

* cited by examiner

Primary Examiner — Derrick Holland
Assistant Examiner — Janice Lim

(**) Term: **14 Years**
(21) Appl. No.: **29/509,183**

(57) **CLAIM**
The ornamental design for a speaker, substantially as shown and described.

(22) Filed: **Nov. 14, 2014**
(51) **LOC (10) Cl.** **14-01**
(52) **U.S. Cl.**
USPC **D14/204**
(58) **Field of Classification Search**
USPC D14/167, 168, 170–172, 188, 194, 204, D14/207, 209.1, 210–217, 221, 222, 224, D14/496; 181/143, 144, 148, 153, 157, 198, 181/199; 369/6–12; 381/300–303, 306, 381/332, 333, 336, 345, 361–364, 366, 381/386–388
CPC A47B 81/06; H04R 1/02; H04R 1/021; H04R 19/013; H04R 2420/07; H05K 5/00
See application file for complete search history.

DESCRIPTION

FIG. 1 is a top, front and right side perspective view of a speaker, showing my new design;
FIG. 2 is a front view thereof;
FIG. 3 is a right side view thereof, and the left side view being a mirror image thereof;
FIG. 4 is a back view thereof;
FIG. 5 is a top plan view thereof;
FIG. 6 is a bottom plan view thereof;
FIG. 7 is a top, front and right side perspective view thereof, shown in a first alternate condition;
FIG. 8 is a top, front and right side perspective view thereof, shown in a second alternate condition; and,
FIG. 9 is a top, front and right side perspective view thereof, shown in a third alternate condition.
The broken line portions of FIGS. 1-9 are included to show unclaimed subject matter only and form no part of the claimed design.

(56) **References Cited**
U.S. PATENT DOCUMENTS
D163,700 S * 6/1951 Klipsch D14/214
D227,929 S * 7/1973 Takeoka et al. D14/198
D327,680 S * 7/1992 Shimazu D14/162
D416,557 S * 11/1999 Matsuoka D14/168

1 Claim, 8 Drawing Sheets

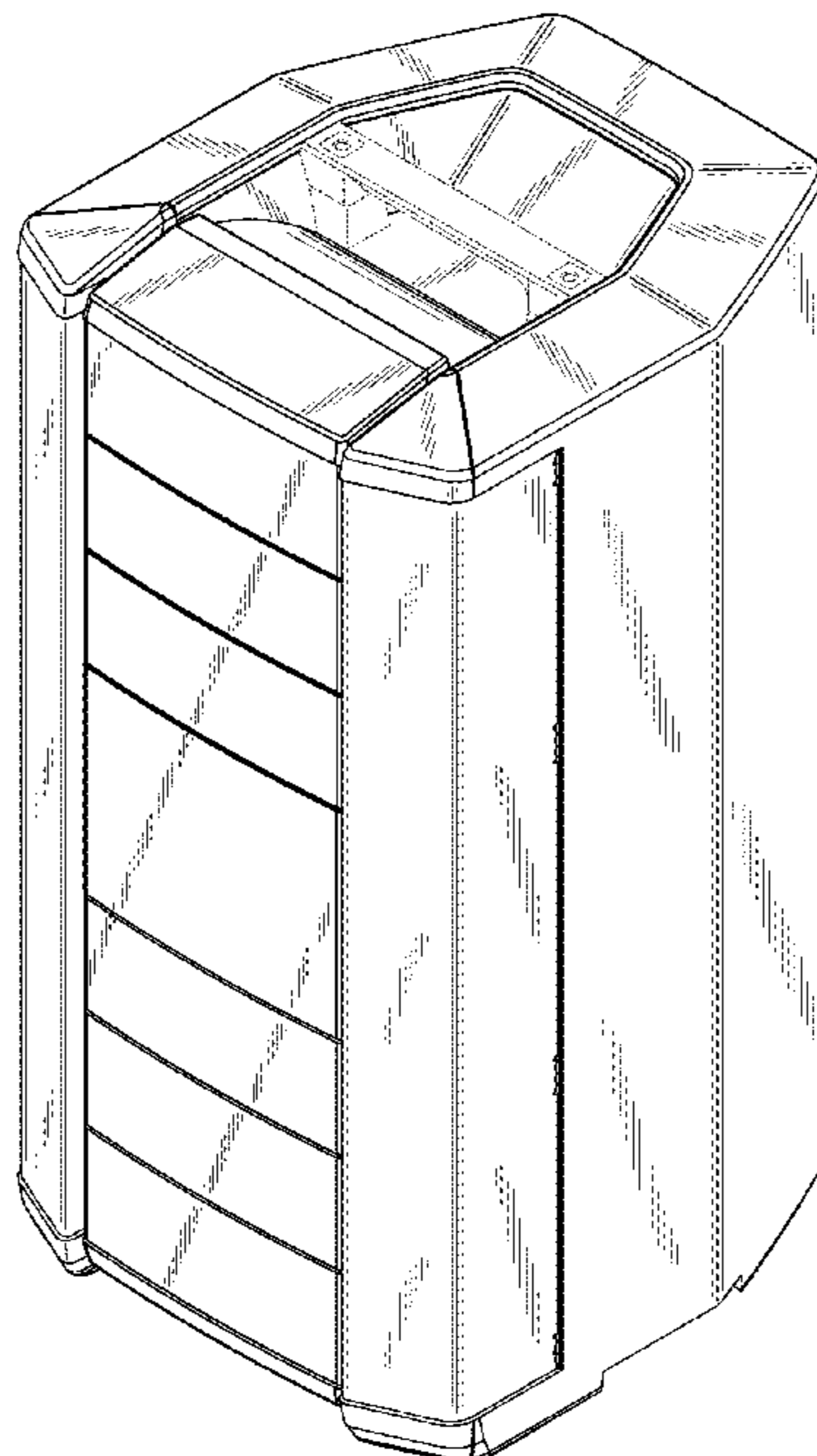


FIG. 1

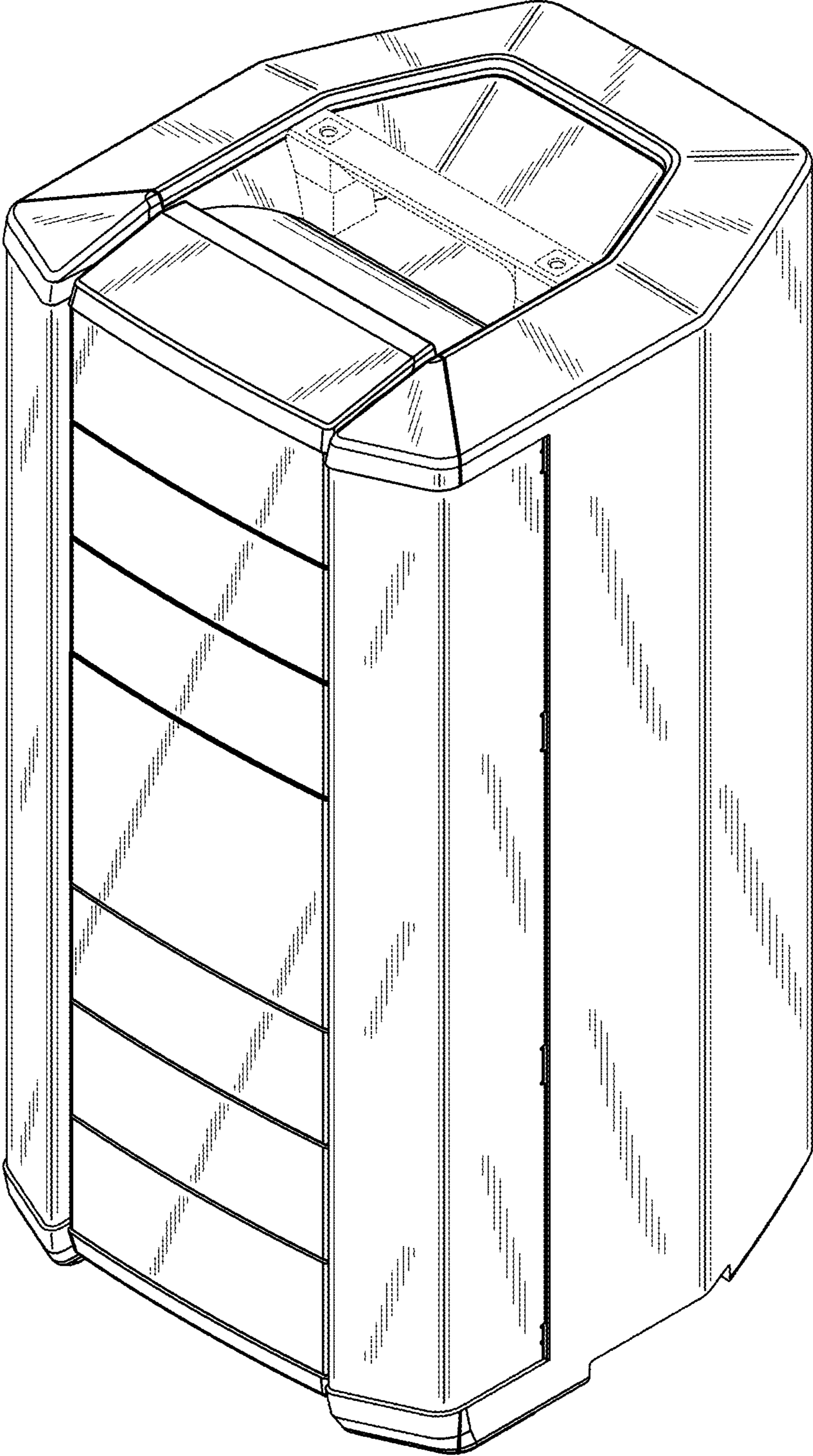


FIG. 2

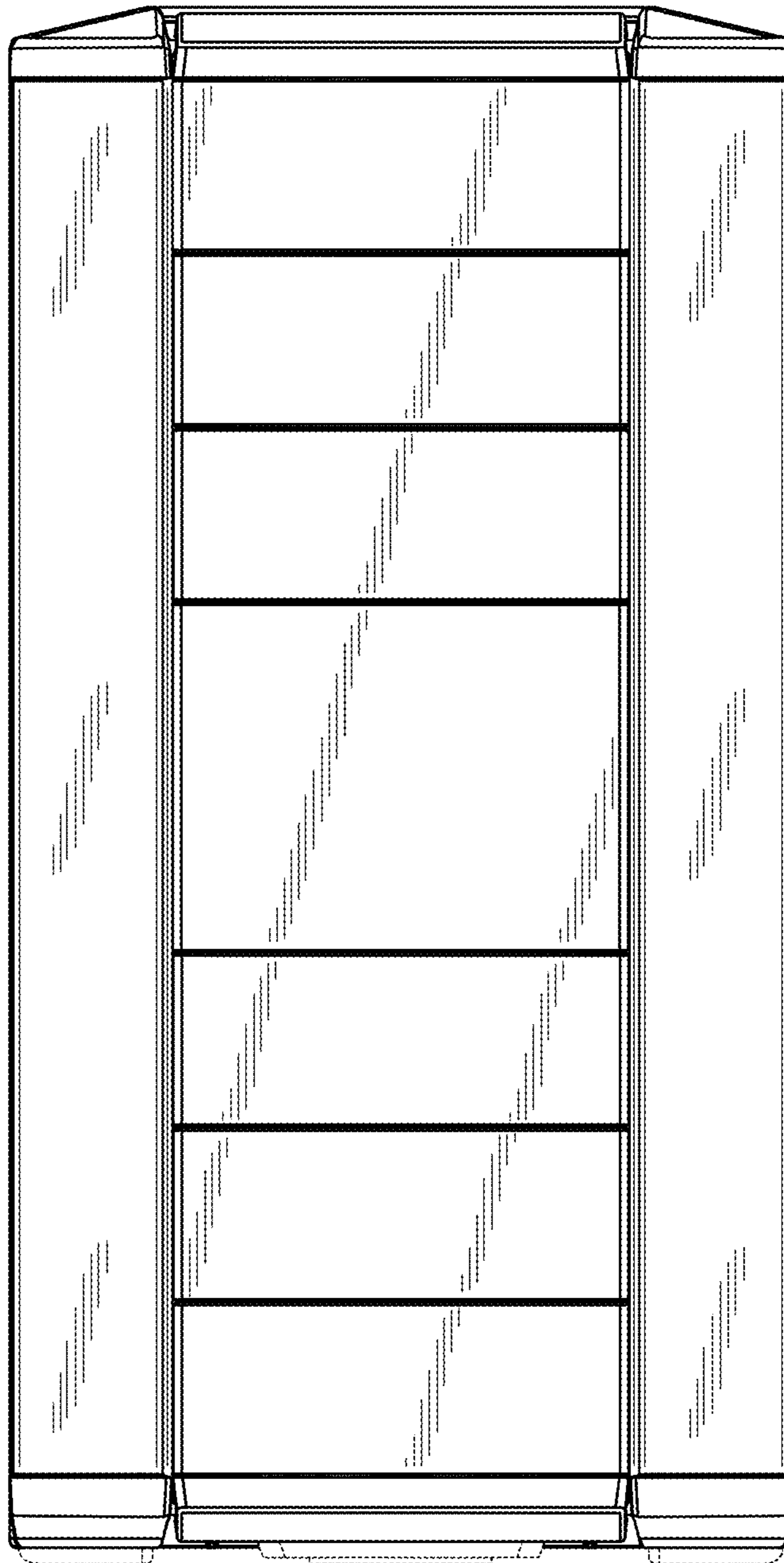


FIG. 3

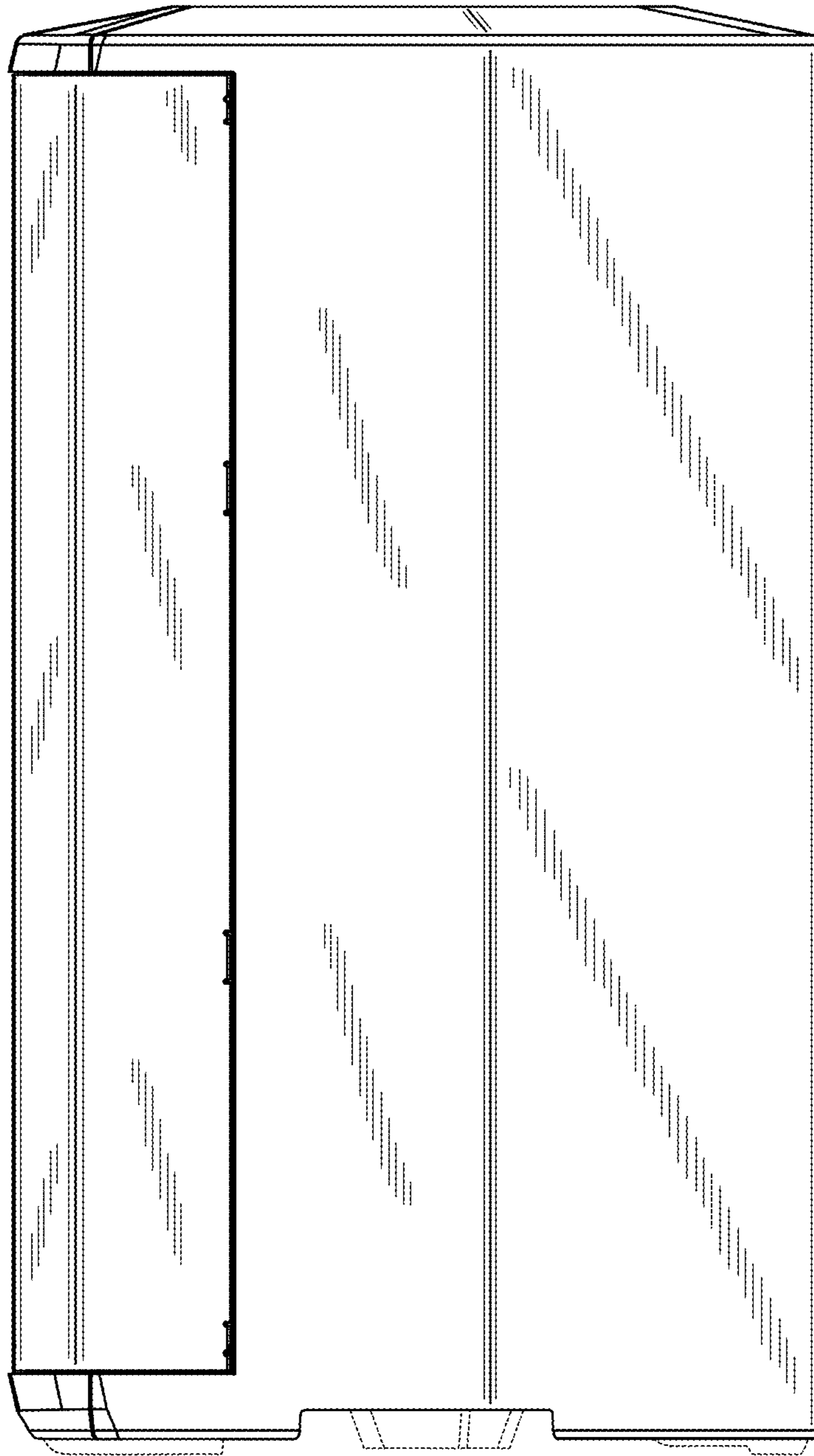


FIG. 4

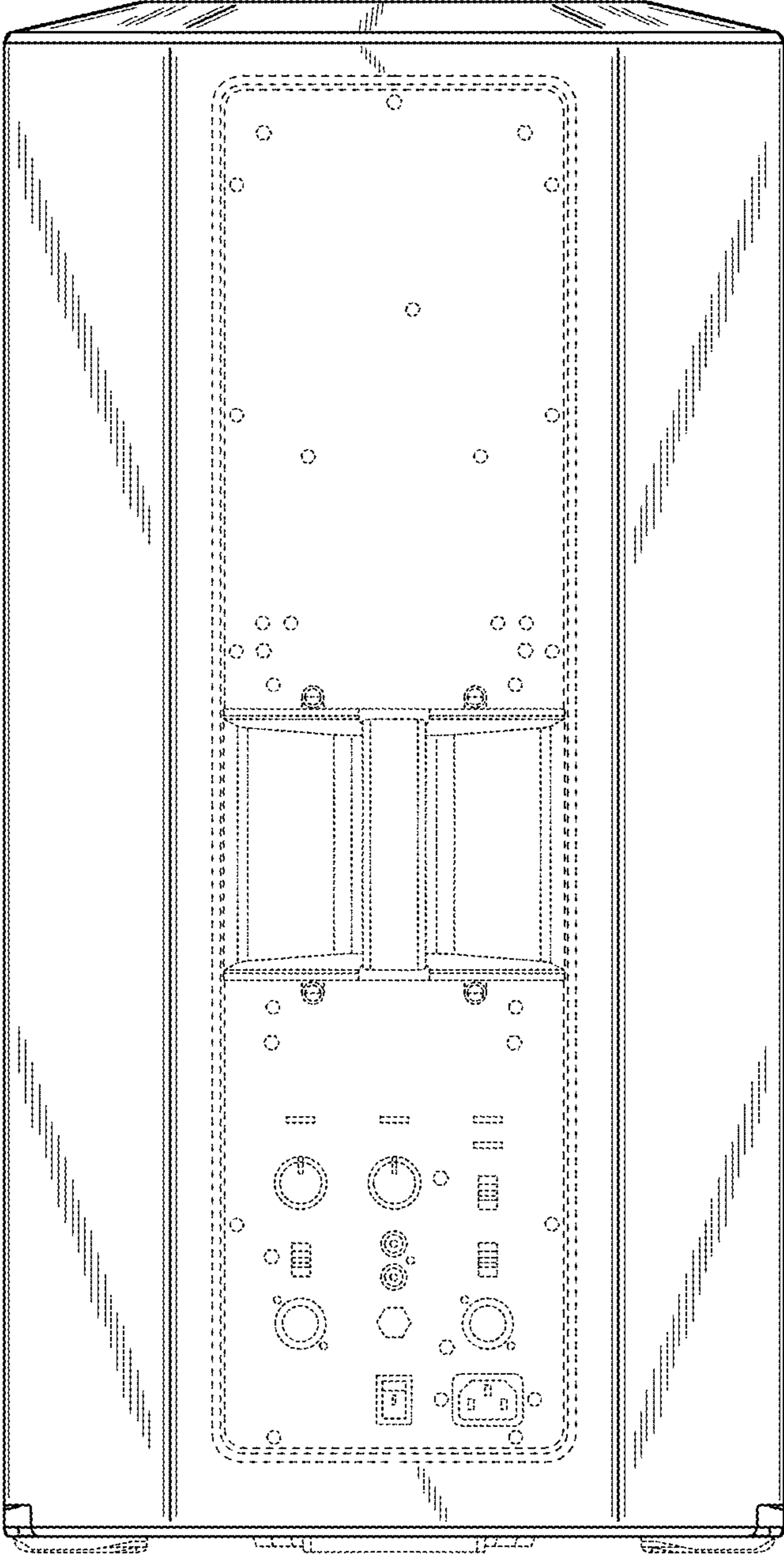


FIG. 5

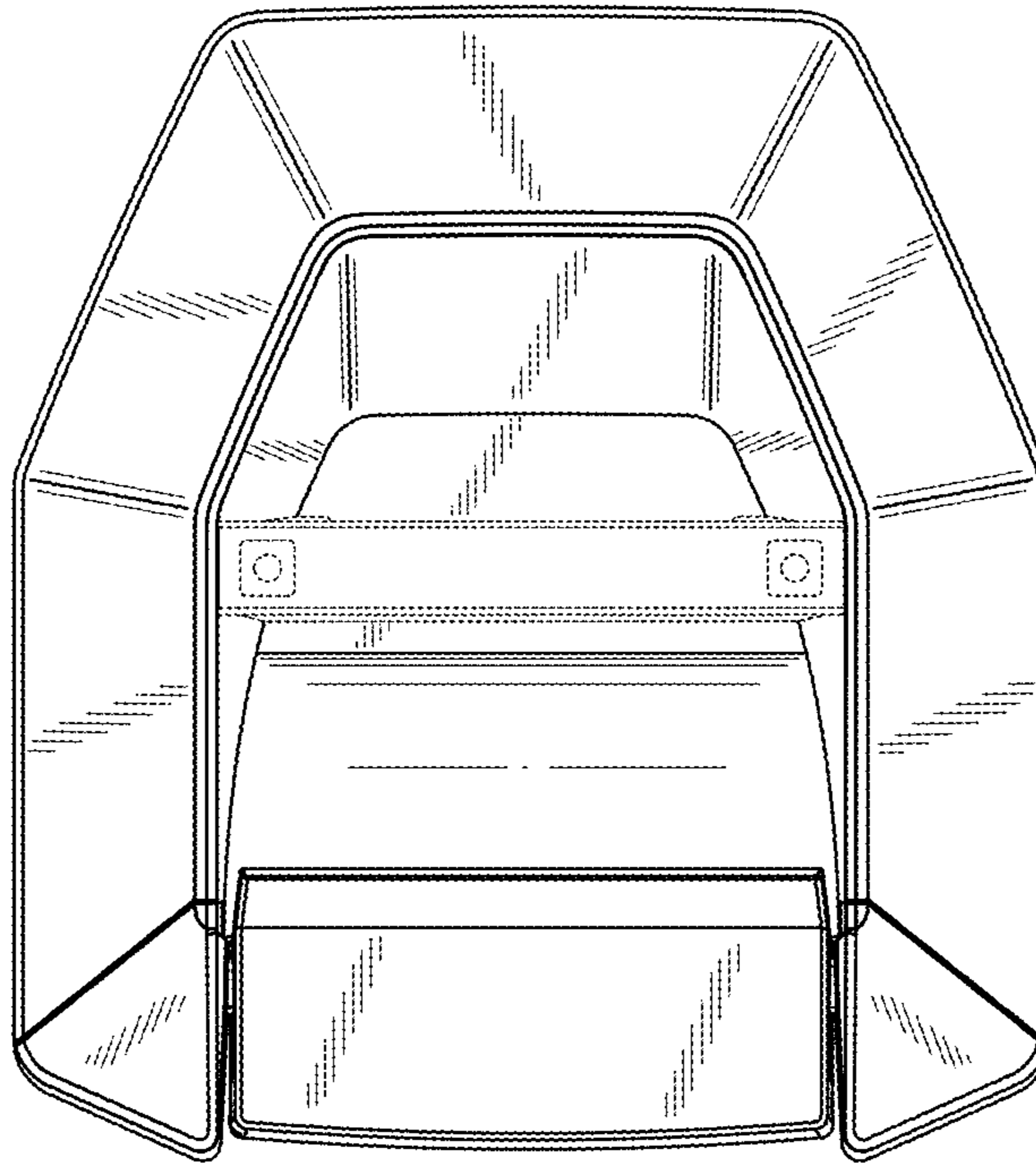


FIG. 6

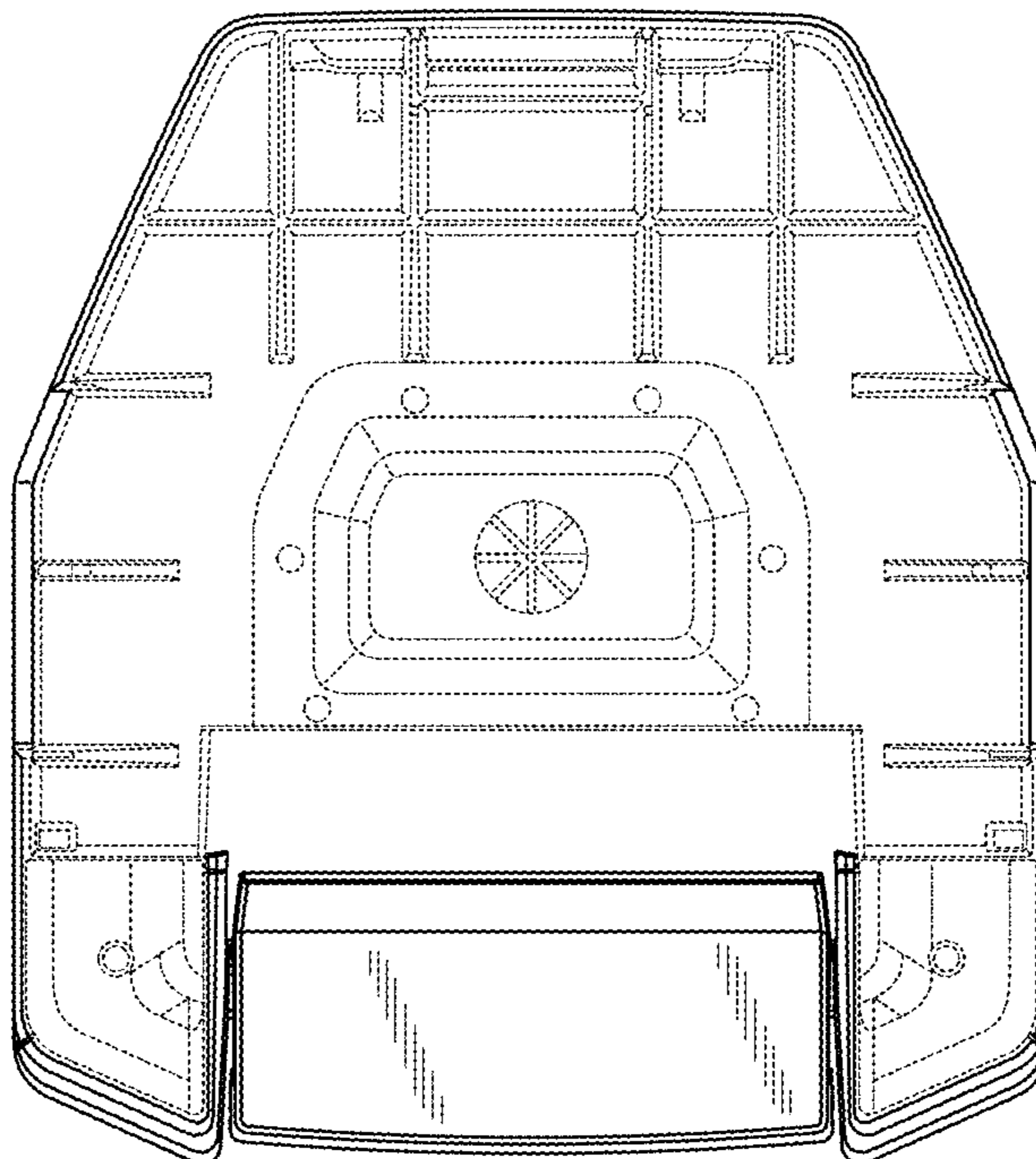


FIG. 7

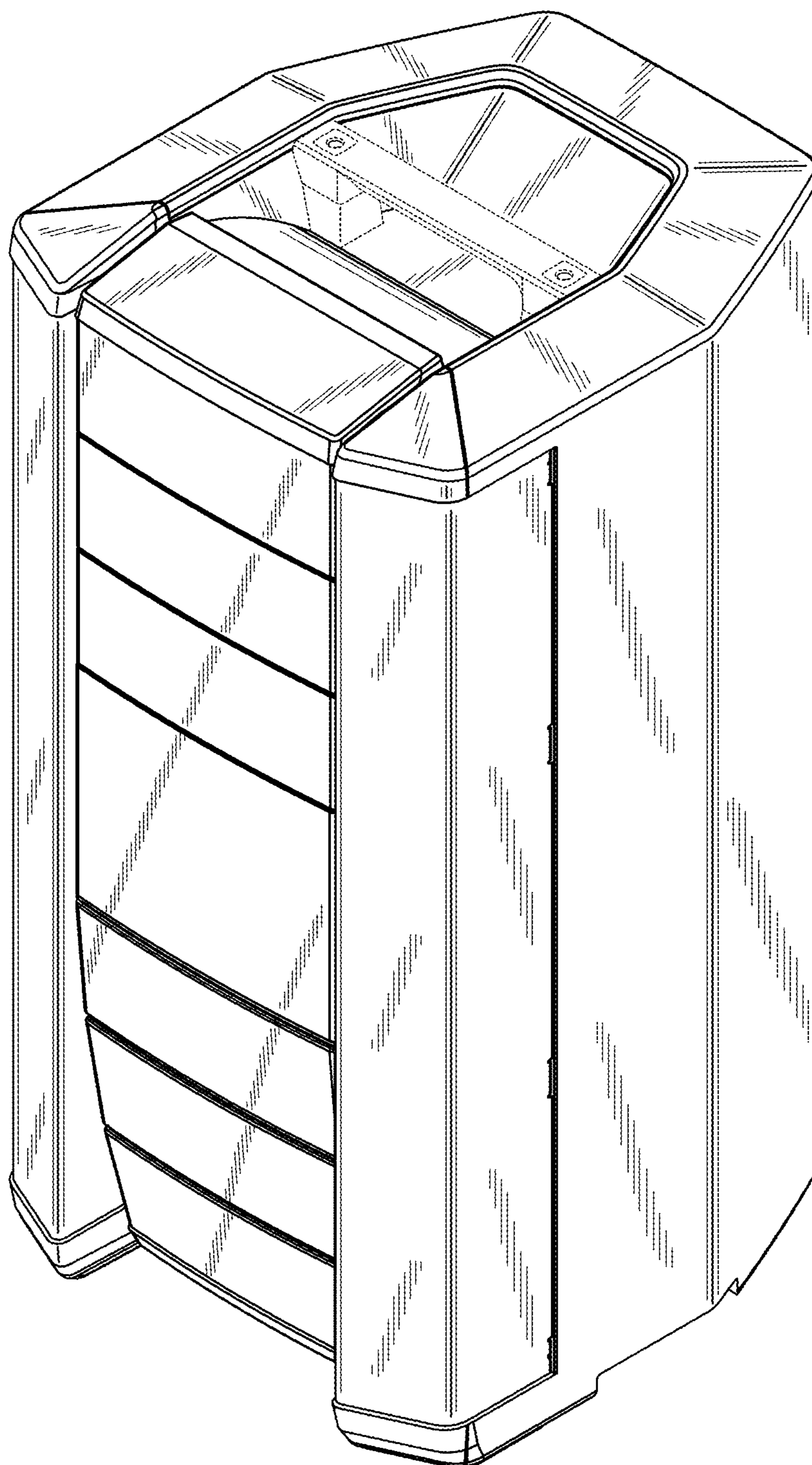


FIG. 8

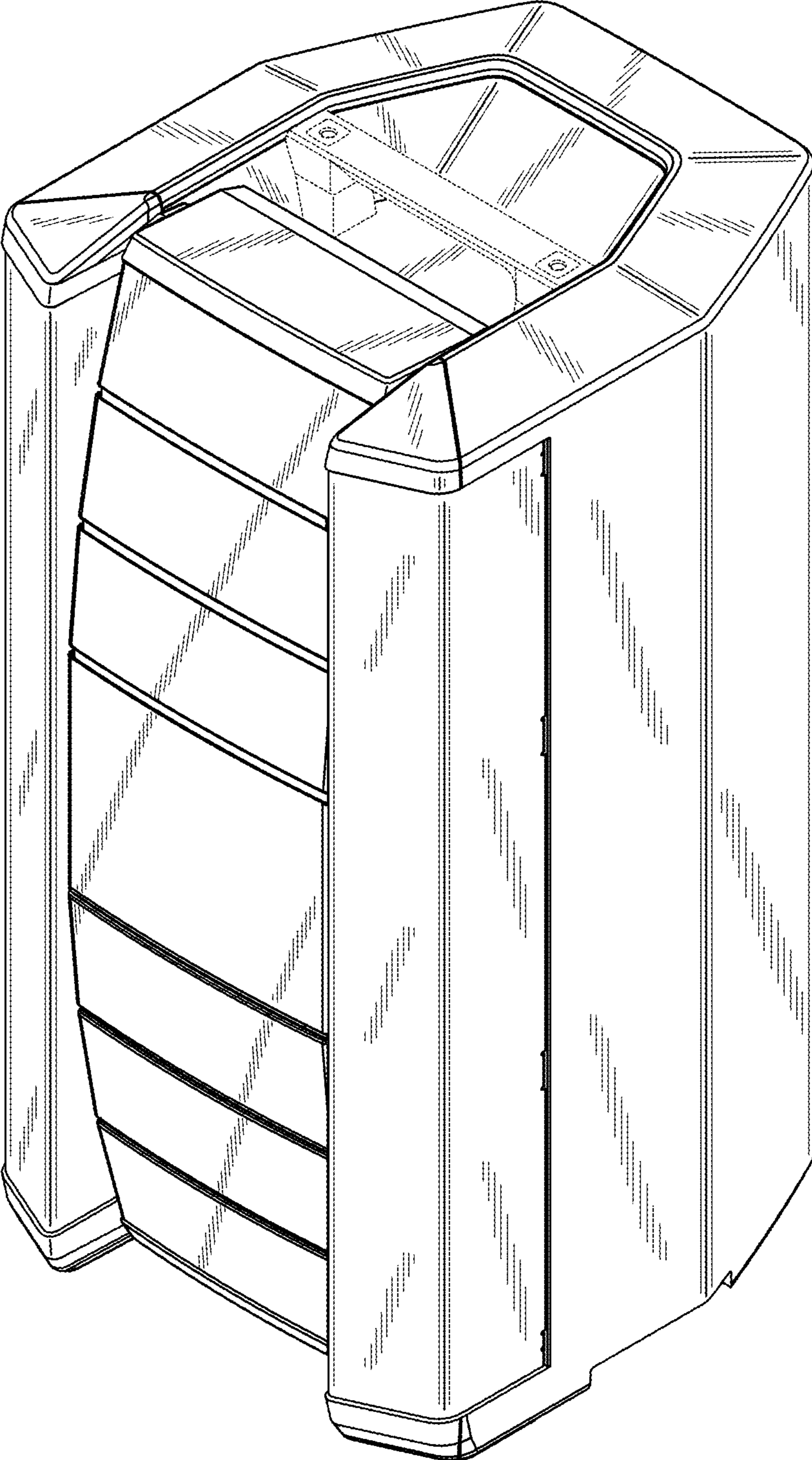


FIG. 9

