

US00D769212S

(12) **United States Design Patent** (10) **Patent No.:** **US D769,212 S**
Larsen et al. (45) **Date of Patent:** **** Oct. 18, 2016**

(54) **COMBINED LOUDSPEAKER AND SPEAKERPHONE**

(71) Applicant: **GN Netcom A/S**, Ballerup (DK)

(72) Inventors: **Steffen MØlgaard Larsen**, Copenhagen (DK); **Rasmus Trudslev Pedersen**, Copenhagen (DK); **Thomas Læner**, Copenhagen (DK)

(73) Assignee: **GN Netcom A/S** (DK)

(**) Term: **14 Years**

(21) Appl. No.: **29/501,482**

(22) Filed: **Sep. 4, 2014**

Related U.S. Application Data

(63) Continuation-in-part of application No. 29/430,015, filed on Aug. 20, 2012, now Pat. No. Des. 730,312, and a continuation-in-part of application No. 29/489,748, filed on May 2, 2014, now Pat. No. Des. 760,683.

(51) **LOC (10) Cl.** **14-01**

(52) **U.S. Cl.**
USPC **D14/204**

(58) **Field of Classification Search**
USPC D14/167, 168, 170–172, 188, 194, 204, D14/207, 209.1, 210–217, 221, 222, 224, D14/496; 181/143, 144, 148, 153, 157, 198, 181/199; 369/6–12; 381/300–303, 306, 381/332, 333, 336, 345, 361–364, 366, 381/386–388

CPC A47B 81/06; H04R 1/02; H04R 1/021; H04R 19/013; H04R 2420/07; H05K 5/00
See application file for complete search history.

(56) **References Cited**

U.S. PATENT DOCUMENTS

D228,567 S * 10/1973 Nagata D10/15
D250,175 S * 11/1978 Sklaroff D10/15

D317,911 S * 7/1991 Yokoi D14/420
D421,607 S * 3/2000 Hakoda D14/171
D519,977 S * 5/2006 Oikawa D14/500
D555,146 S * 11/2007 Sandy D14/167
D583,317 S * 12/2008 Kagami D13/108
D651,975 S * 1/2012 Smith D13/138.1
D667,403 S * 9/2012 Maus D13/107
D738,848 S * 9/2015 Loudon D14/192
D739,376 S * 9/2015 Asao D14/204

FOREIGN PATENT DOCUMENTS

EM 001995291-0001 2/2012
EM 002337709-0001 11/2013

* cited by examiner

Primary Examiner — Derrick Holland

Assistant Examiner — Janice Lim

(74) *Attorney, Agent, or Firm* — Altera Law Group, LLC

(57) **CLAIM**

The ornamental design for a combined loudspeaker and speakerphone, as shown and described.

DESCRIPTION

FIG. 1 is a front side perspective view of embodiment one, of a combined loudspeaker and speakerphone, showing our new design.

FIG. 2 is a side view thereof.

FIG. 3 is a top plan view thereof.

FIG. 4 is a bottom plan view thereof.

FIG. 5 is a front view thereof.

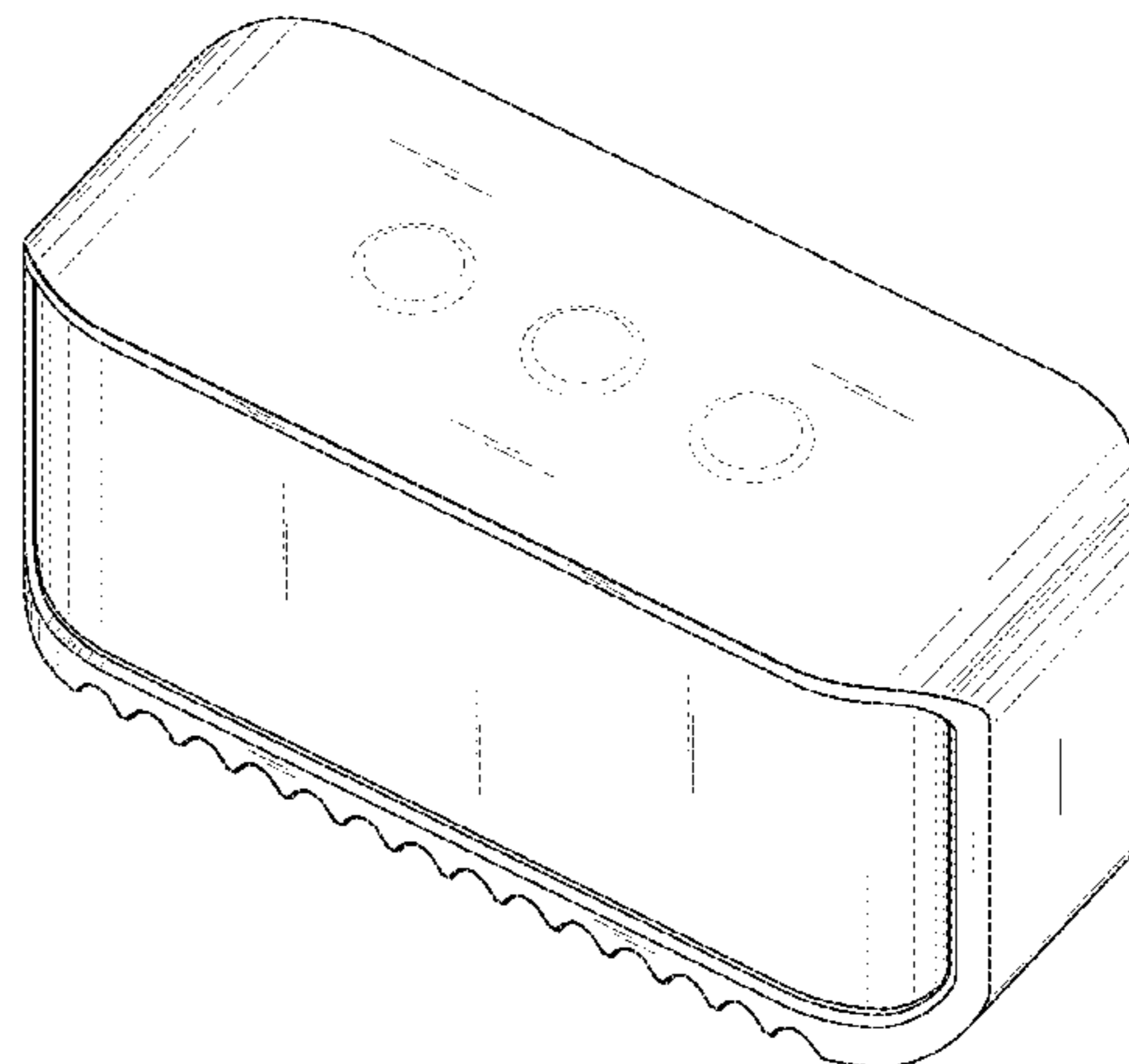
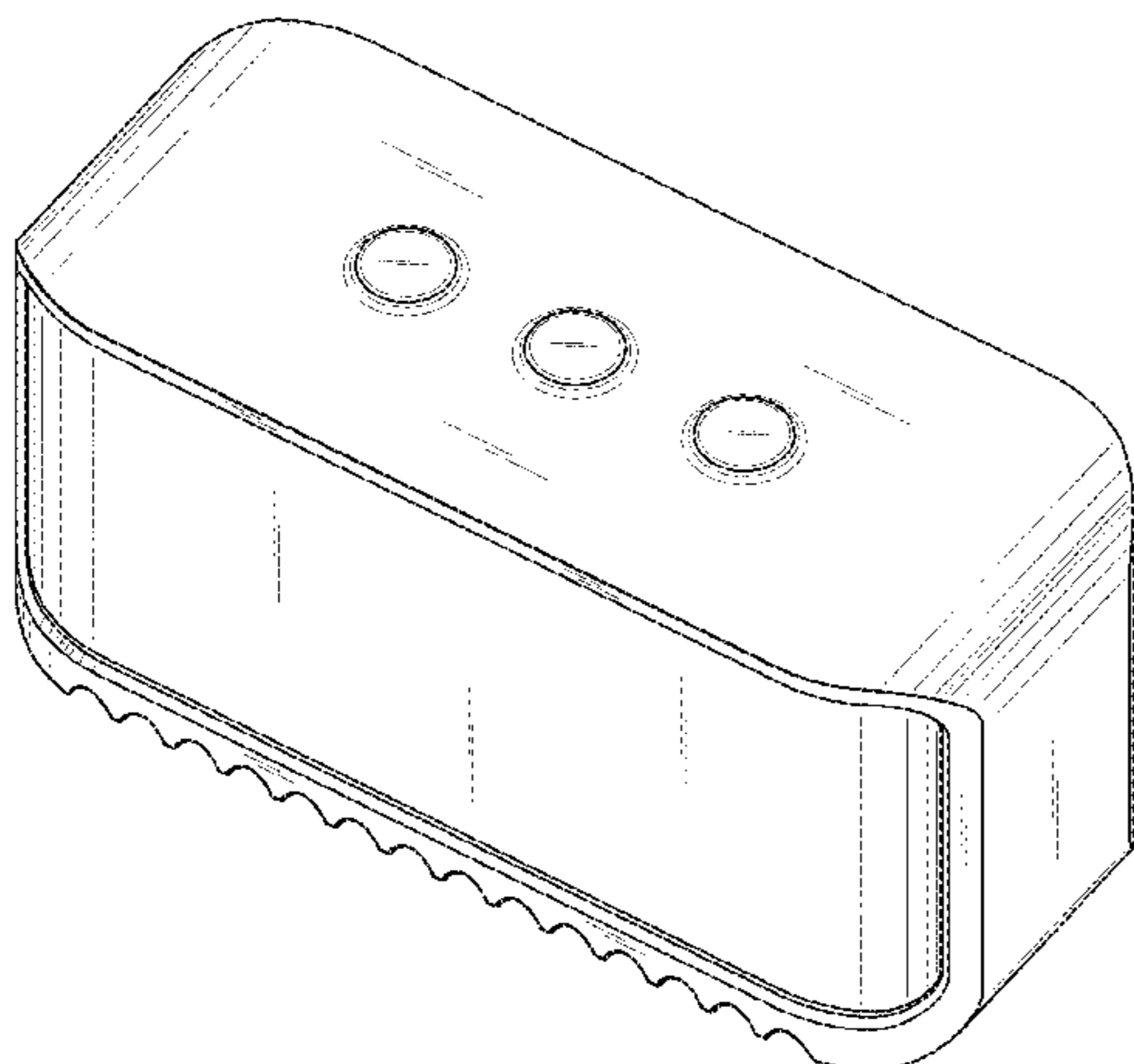
FIG. 6 is a rear view thereof; and,

FIG. 7 is a front side perspective view of embodiment two, of a combined loudspeaker and speakerphone, showing our new design.

The side, top plan, and front views of a second embodiment are identical to the first embodiment with the top three buttons disclaimed.

The broken line portions are included to show unclaimed subject matter only and form no part of the claimed design.

1 Claim, 5 Drawing Sheets



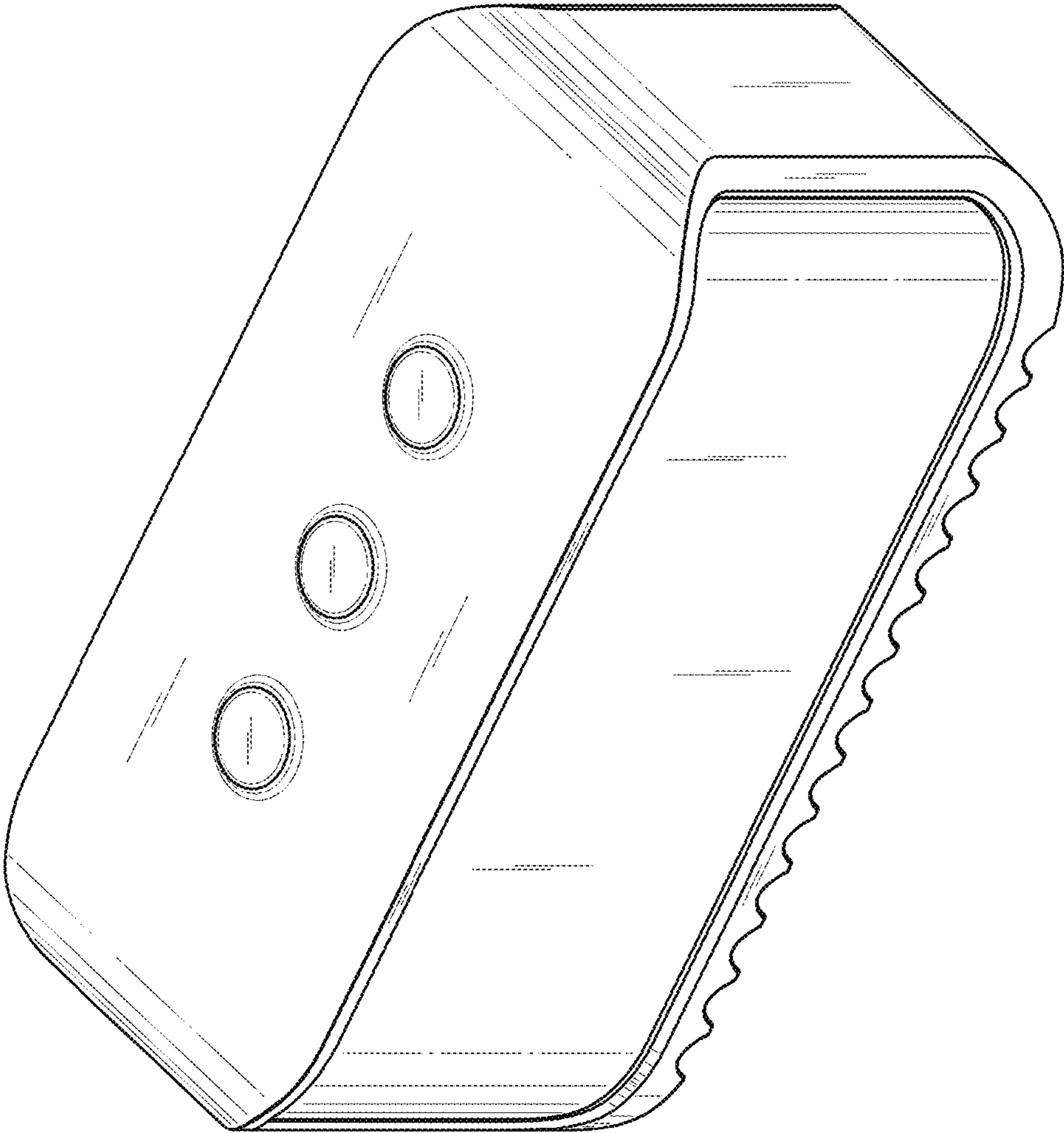


Fig. 1

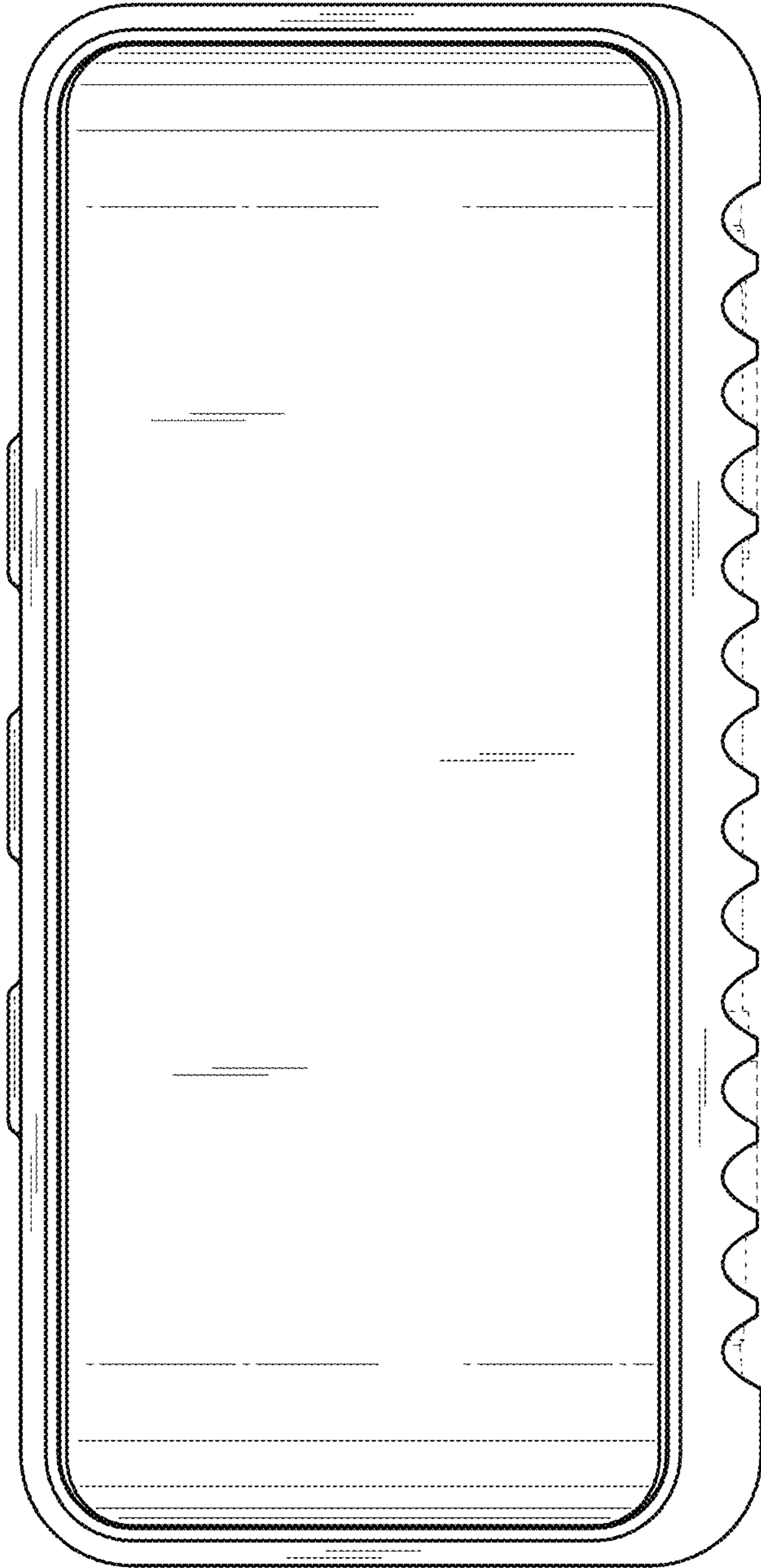


Fig. 2

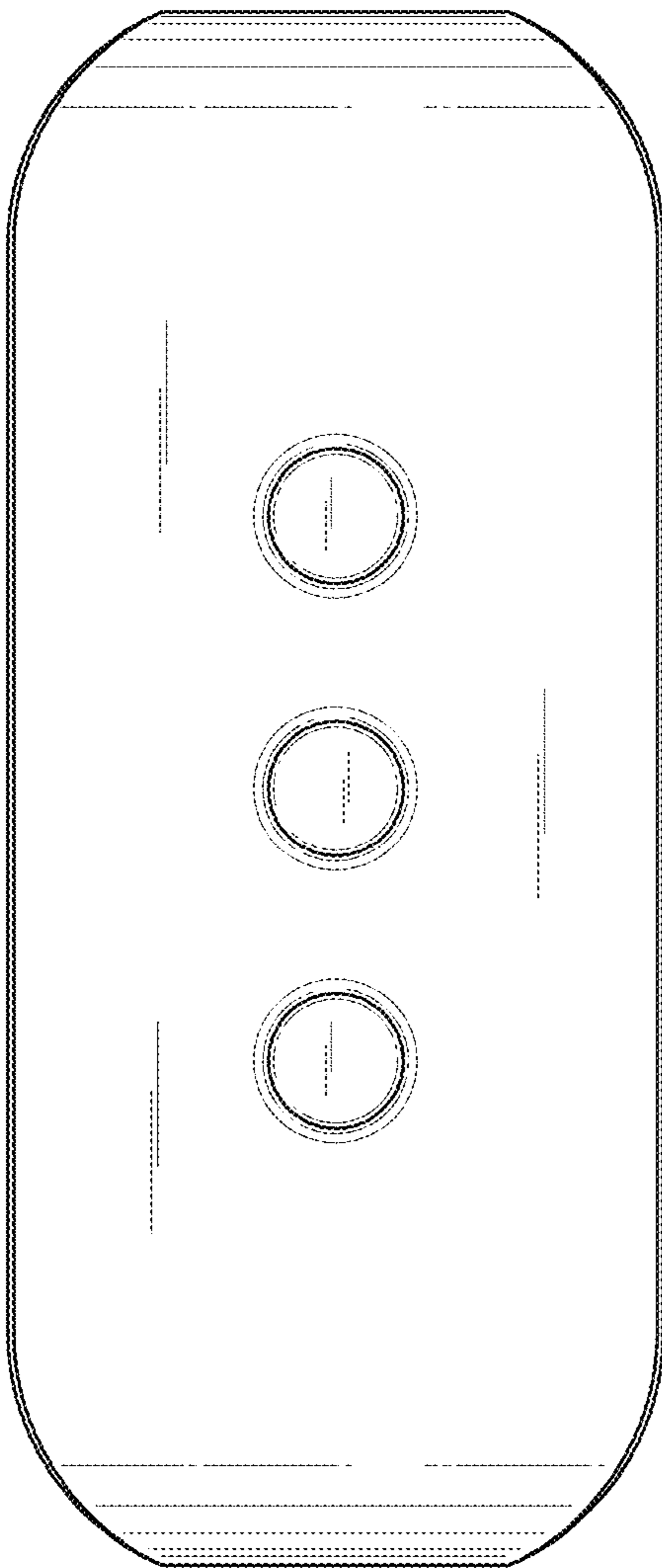


Fig. 3

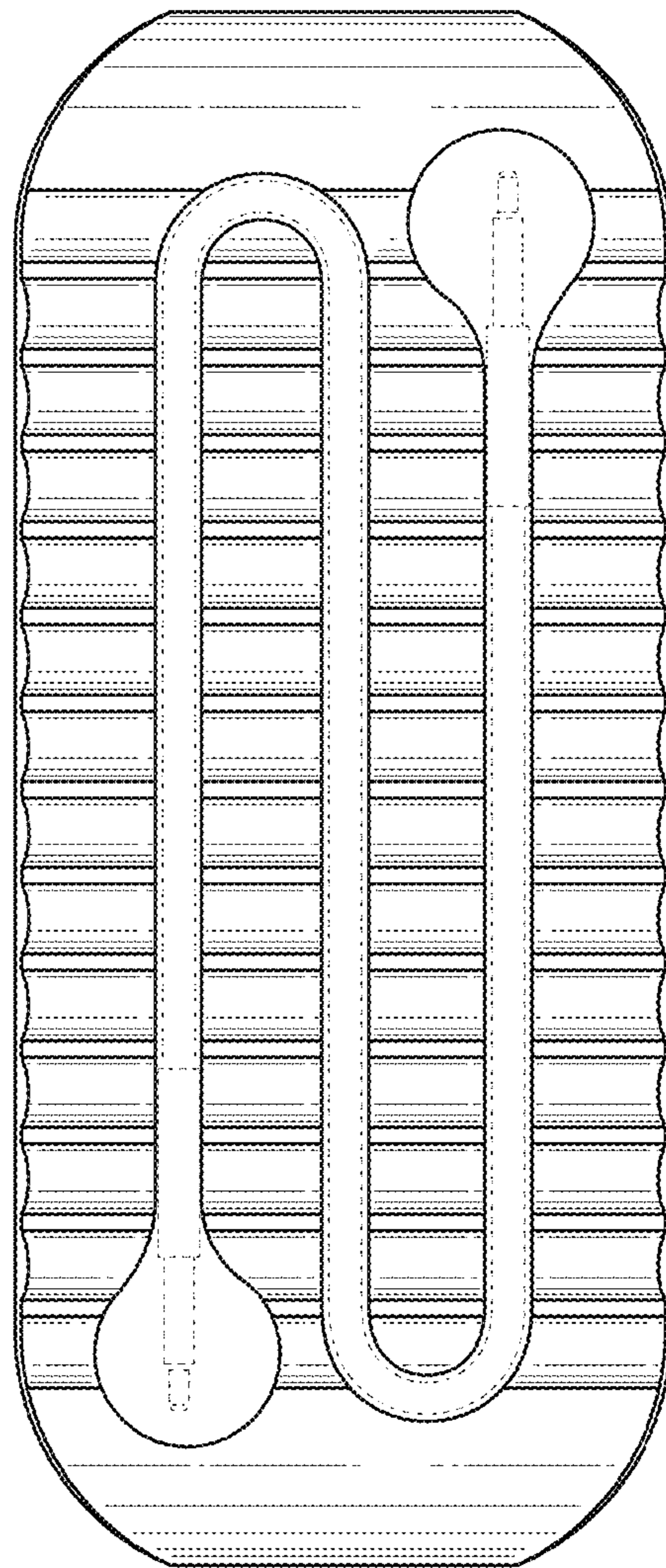


Fig. 4

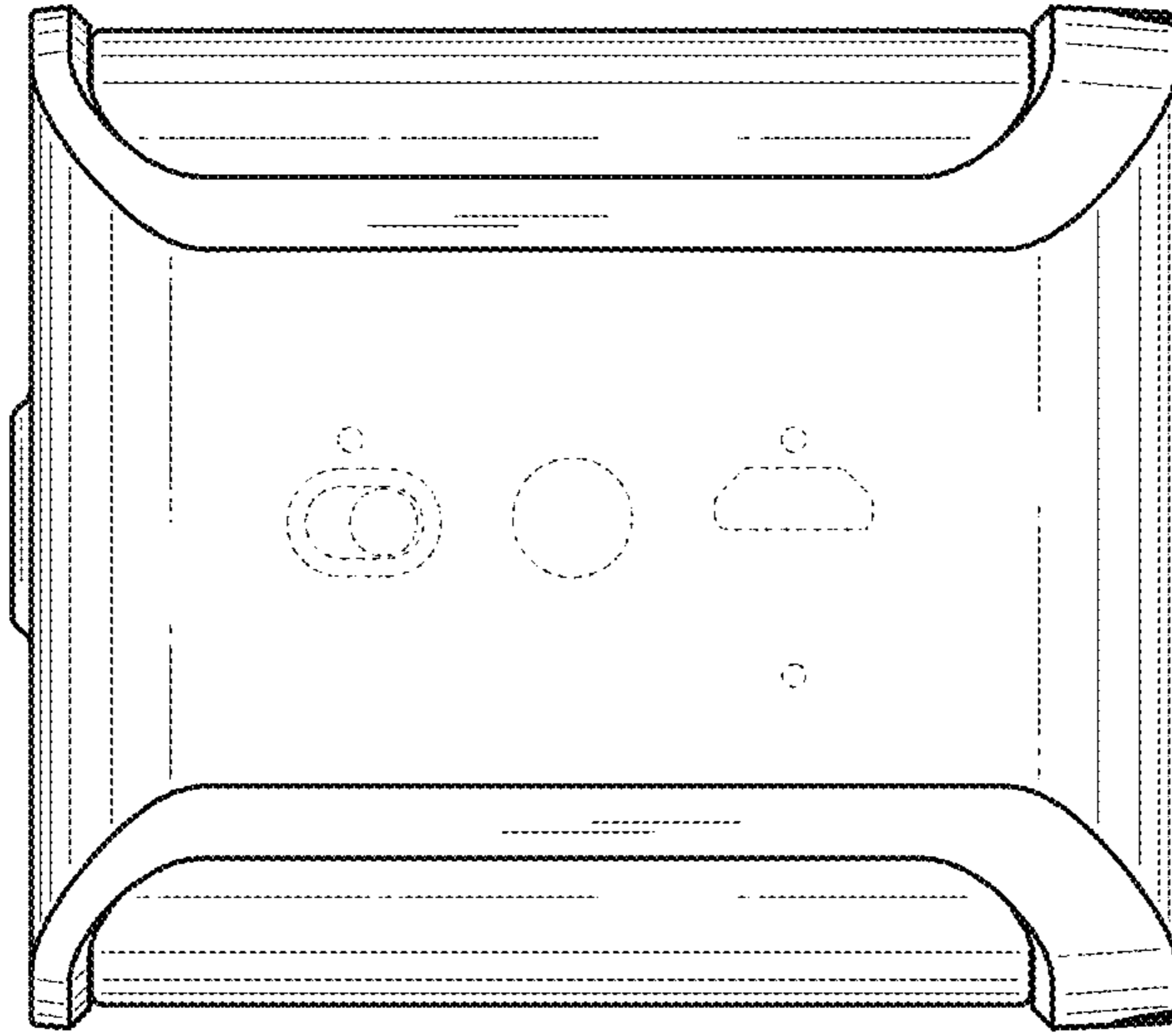


Fig. 6

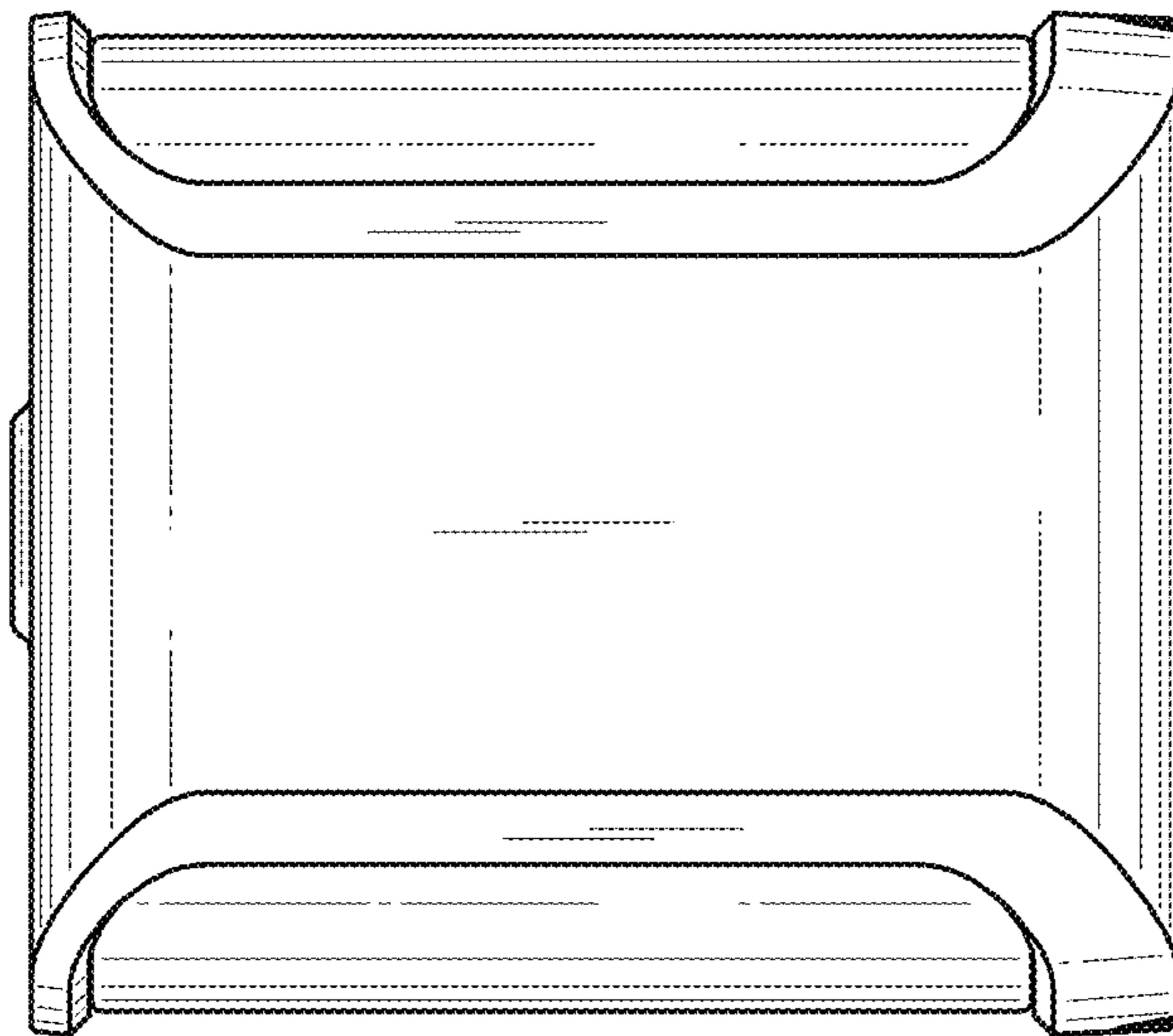


Fig. 5

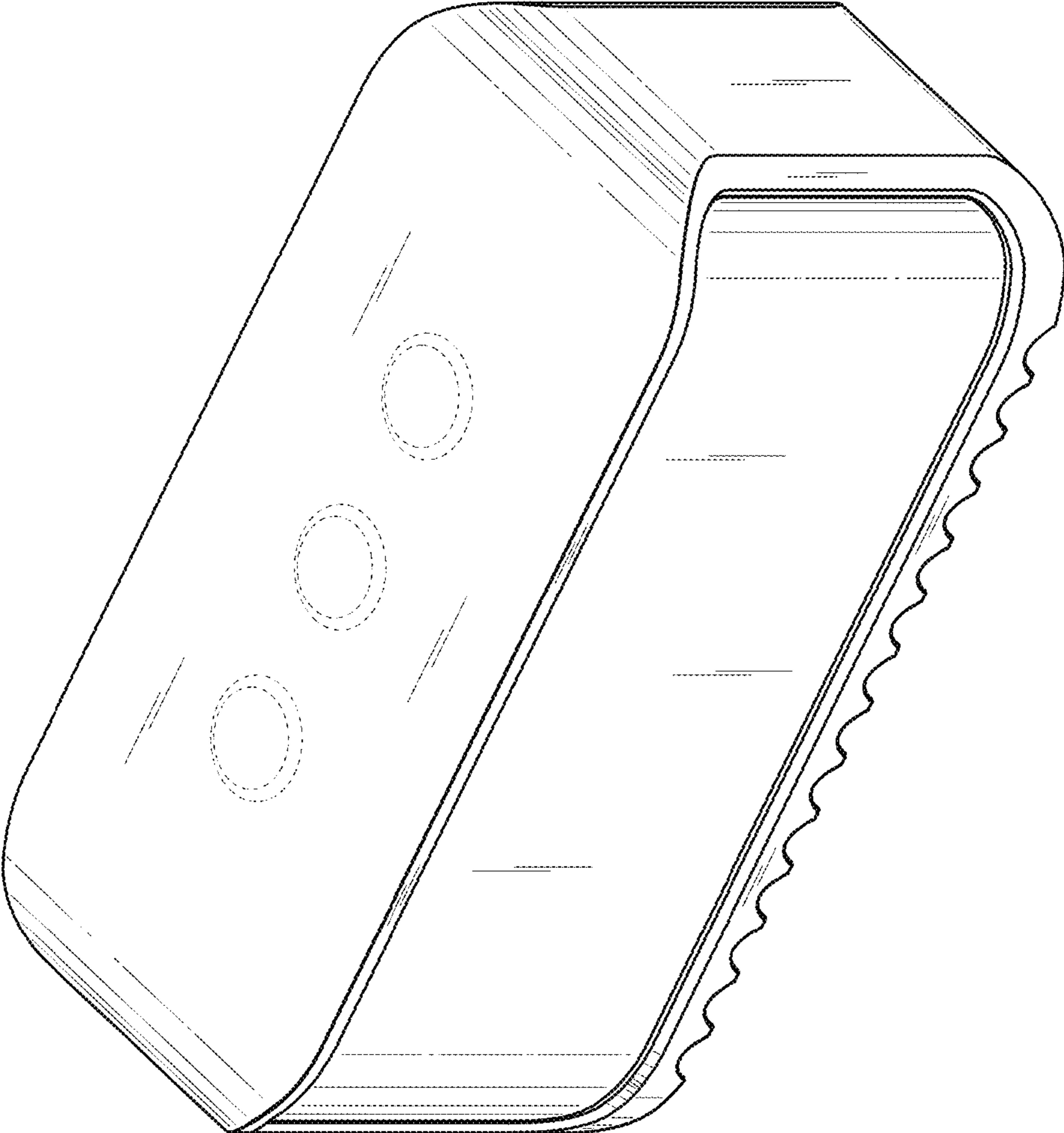


Fig. 7