



US00D769211S

(12) **United States Design Patent**
Schnell

(10) **Patent No.:** **US D769,211 S**
(45) **Date of Patent:** **** Oct. 18, 2016**

- (54) **GAME CALL SPEAKER SYSTEM**
- (71) Applicant: **IP Holdings, Inc.**, Fort Worth, TX (US)
- (72) Inventor: **Tim Schnell**, Rancho Santa Fe, CA (US)
- (73) Assignee: **IP Holdings, Inc.**, Grand Prairie, TX (US)
- (**) Term: **14 Years**
- (21) Appl. No.: **29/478,385**
- (22) Filed: **Jan. 3, 2014**
- (51) **LOC (10) Cl.** **14-01**
- (52) **U.S. Cl.**
USPC **D14/204**
- (58) **Field of Classification Search**
USPC D14/143, 160–165, 176, 188, 189,
D14/196–198, 200, 203.2, 203.6, 204, 207,
D14/209.1, 215, 216, 221, 225, 265, 299,
D14/480.2, 508, 509; 369/75.11, 75.21,
369/77.11, 77.21; 455/344, 347–351
CPC G06F 1/1632; G06F 1/1628; G06F 17/00;
H04R 1/02; H04R 1/021; H04R 1/288;
H04R 2420/07; H04R 5/02; H04R 25/60;
H04R 25/65; H04R 25/608
See application file for complete search history.

(56) **References Cited**

U.S. PATENT DOCUMENTS

D221,899 S *	9/1971	Burton	D14/196
D316,377 S *	4/1991	Merlin	D10/78
D368,937 S *	4/1996	Aker	D14/165
D410,649 S *	6/1999	Kobayashi	D14/163
D413,599 S *	9/1999	Zeitman	D14/165
D425,508 S *	5/2000	Fiebel	D14/194
D538,782 S *	3/2007	Ishibashi	D14/168
D556,737 S *	12/2007	Oh	D14/168
D632,279 S *	2/2011	Chow	D14/209.1

OTHER PUBLICATIONS

Foxpro Firestorm Digital Game Caller, announced Oct. 2012, [online], site visited Oct. 6, 2015. Available from Internet, <URL: <http://www.chuckhawks.com>>.*

www.amazon.com, “Maestro Game Calles Western Rivers Apache Pro Electronic Predator Caller”, earliest date referenced in document is May 16, 2013, obtained and printed Feb. 18, 2016.
www.cabelas.com “Cabela’s—Western Rivers Nite Stalker Pro Combo—customer reviews—product reviews”, earliest date referenced in document is Jan. 17, 2012; obtained and printed on Oct. 31, 2014.
www.cabelas.com “Primos Alpha Dogg Electronic Call: Cabela’s”, earliest date referenced in document is Oct. 16, 2014, obtained and printed Oct. 31, 2014.

* cited by examiner

Primary Examiner — Derrick Holland

Assistant Examiner — Janice Lim

(74) *Attorney, Agent, or Firm* — Knobbe Martens Olson & Bear LLP

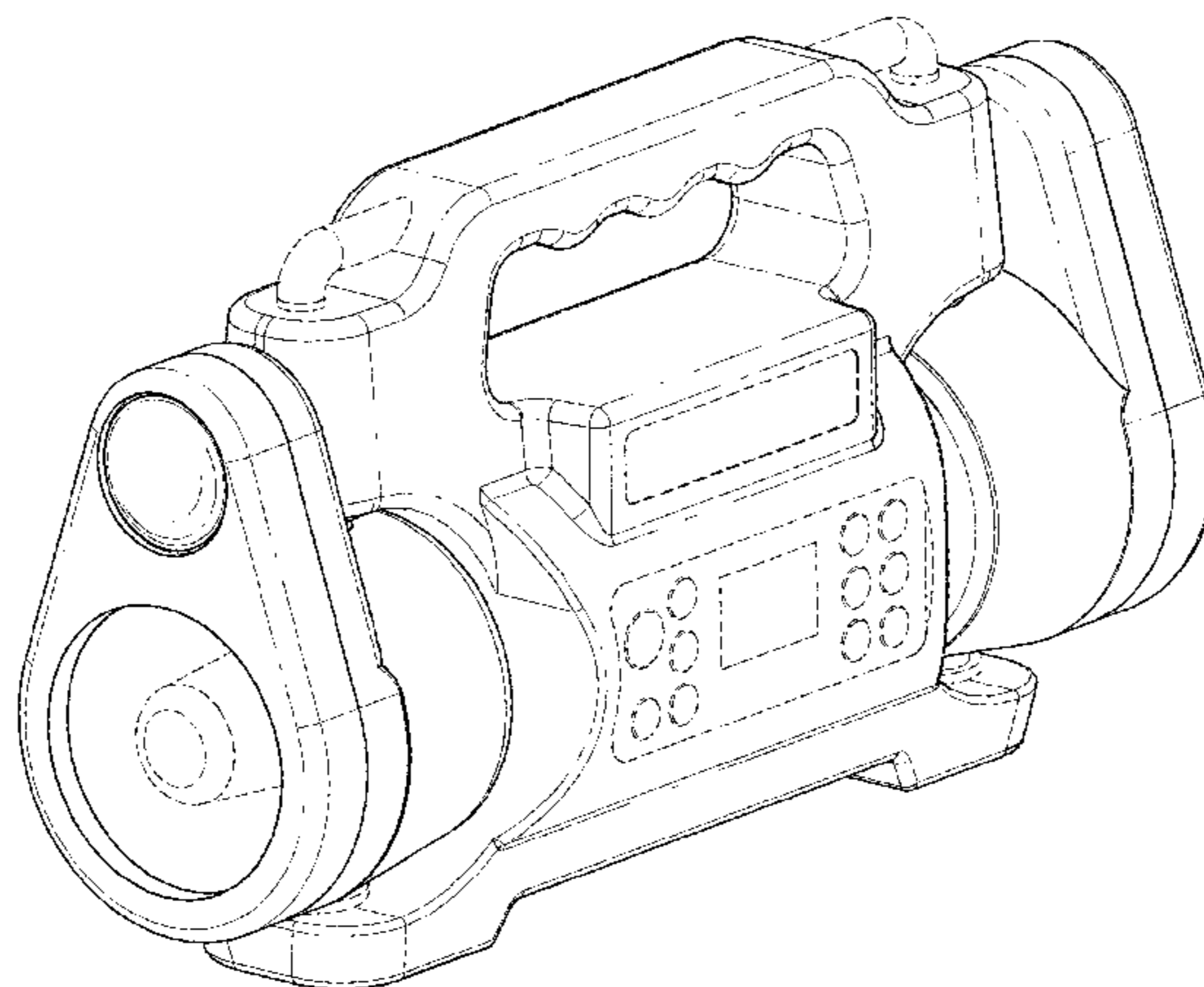
(57) **CLAIM**

The ornamental design for a game call speaker system, as shown and described.

DESCRIPTION

FIG. 1 is a perspective view of a game call speaker system embodying the new design;
FIG. 2 is a front view of the game call speaker system of FIG. 1;
FIG. 3 is a back view of the game call speaker system of FIG. 1;
FIG. 4 is a top plan view of the game call speaker system of FIG. 1;
FIG. 5 is a bottom plan view of the game call speaker system of FIG. 1;
FIG. 6 is a right side view of the game call speaker system of FIG. 1; and,
FIG. 7 is a left side view of the game call speaker system of FIG. 1.
The broken line portions of FIGS. 1-7 show unclaimed subject matter only and form no part of the claimed design.

1 Claim, 4 Drawing Sheets



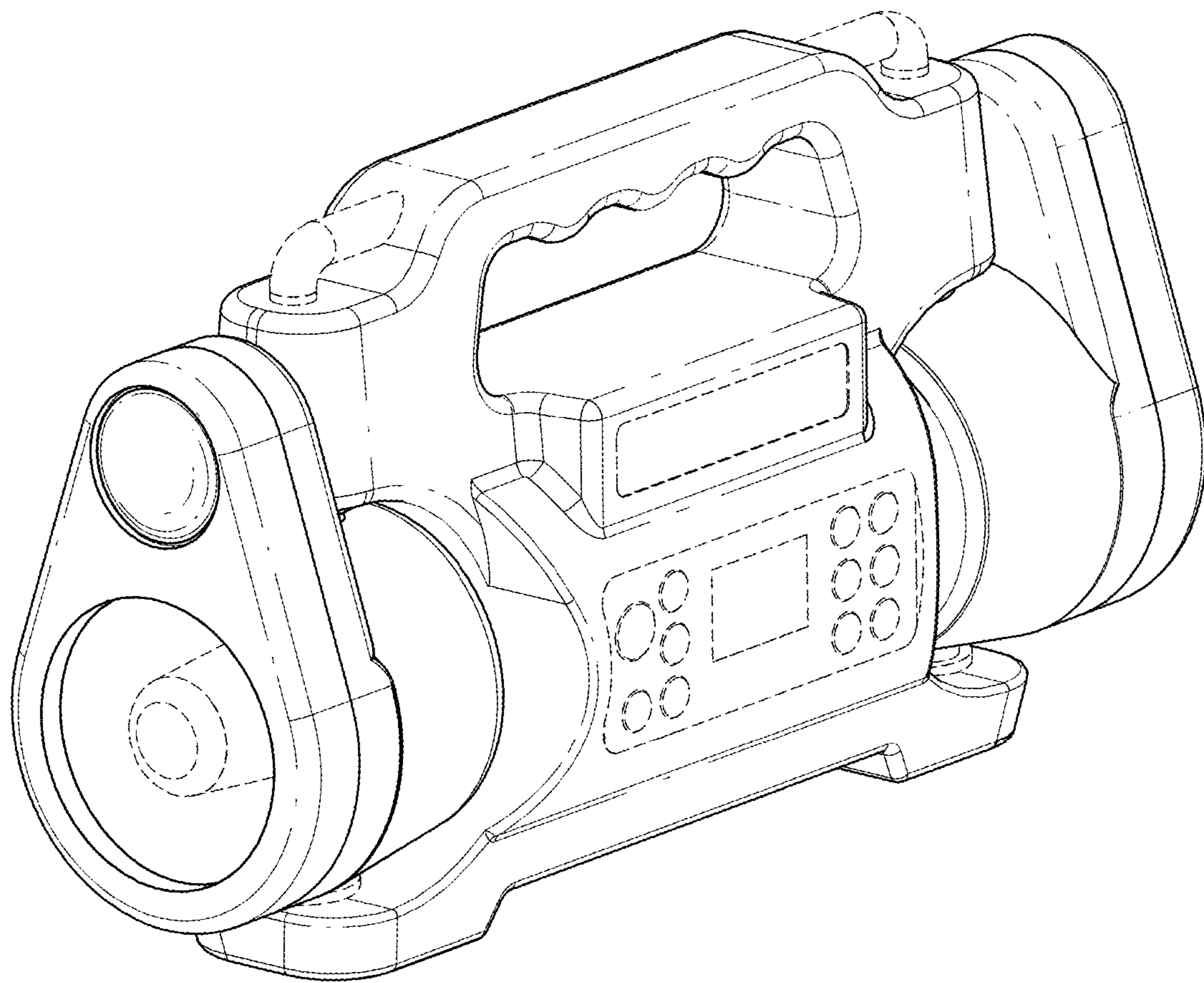


FIG. 1

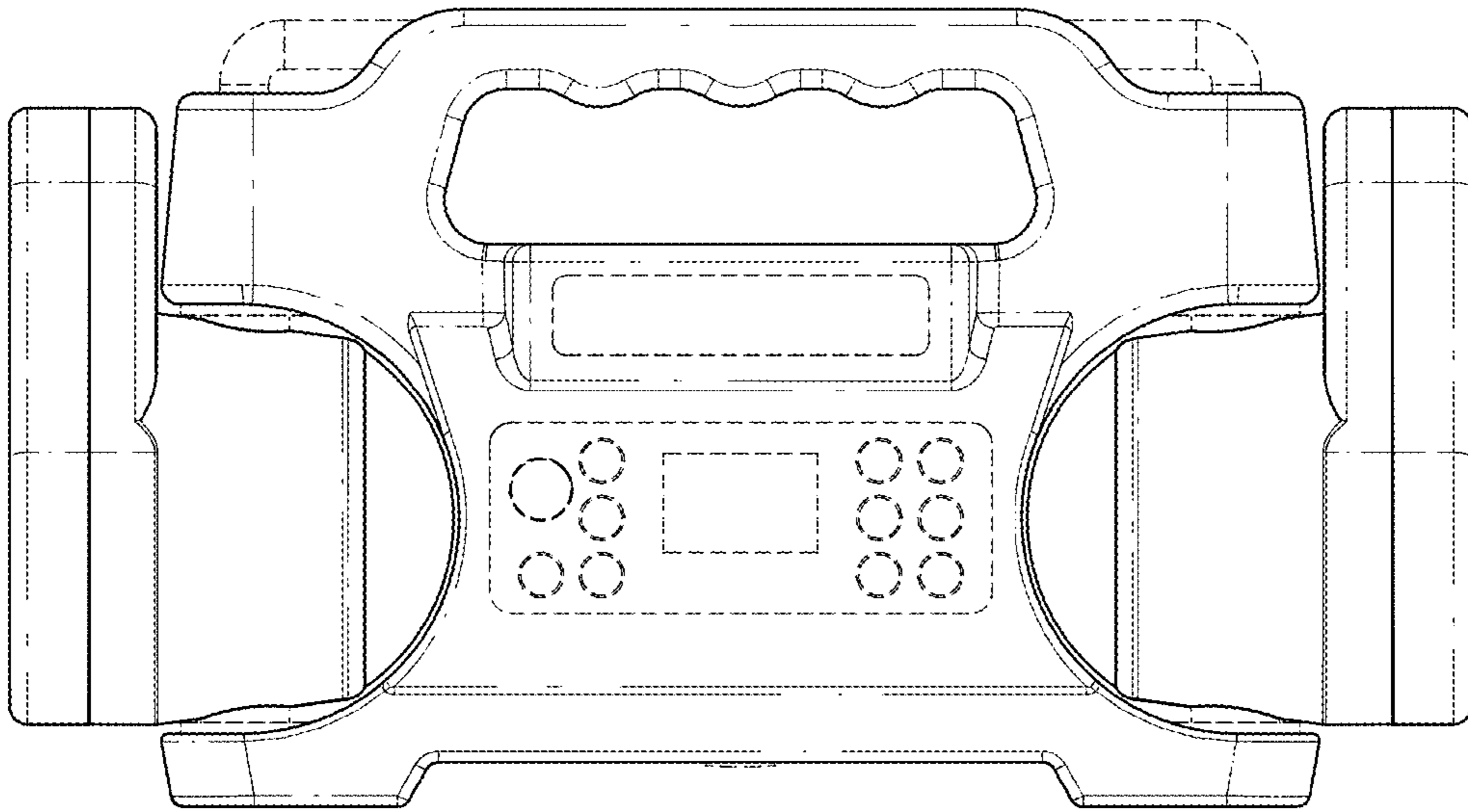


FIG. 2

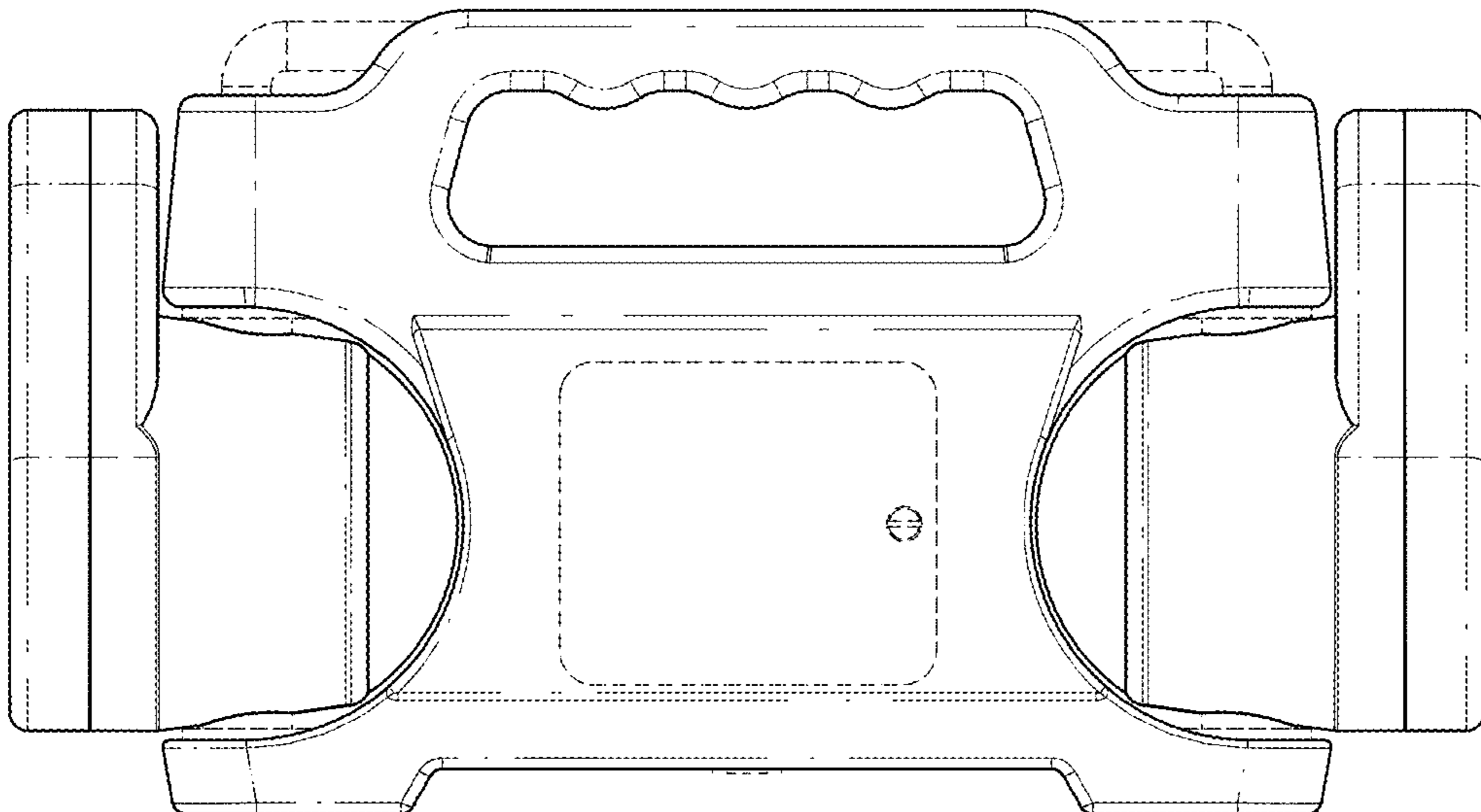


FIG. 3

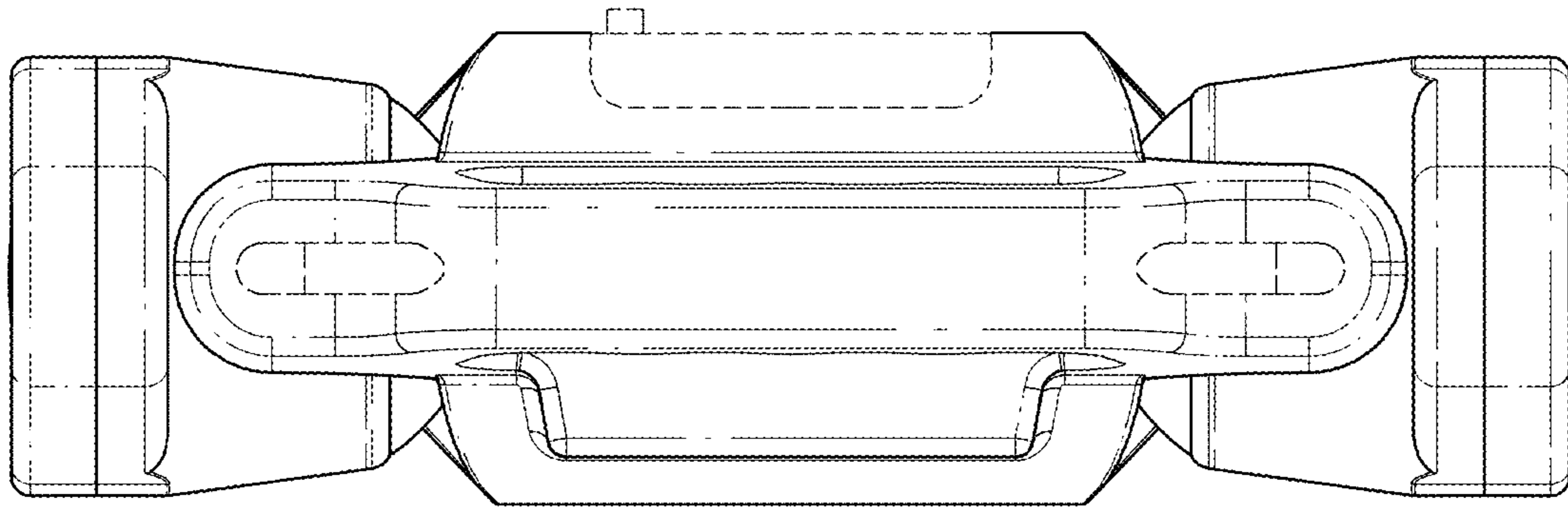


FIG. 4

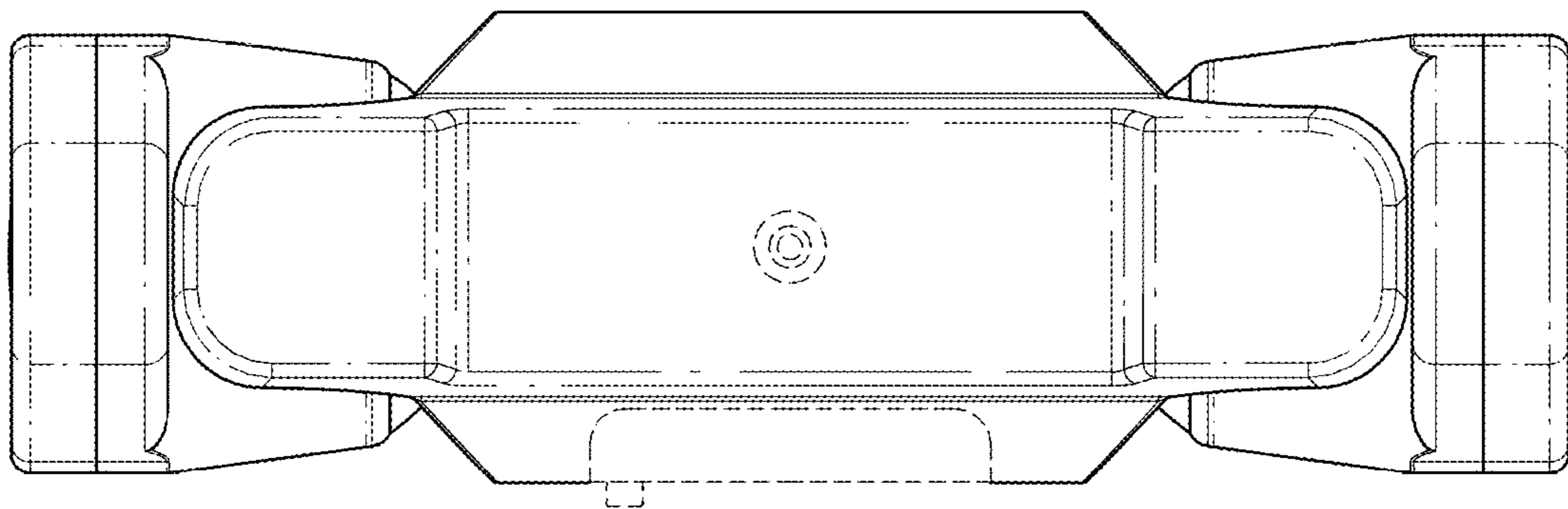


FIG. 5

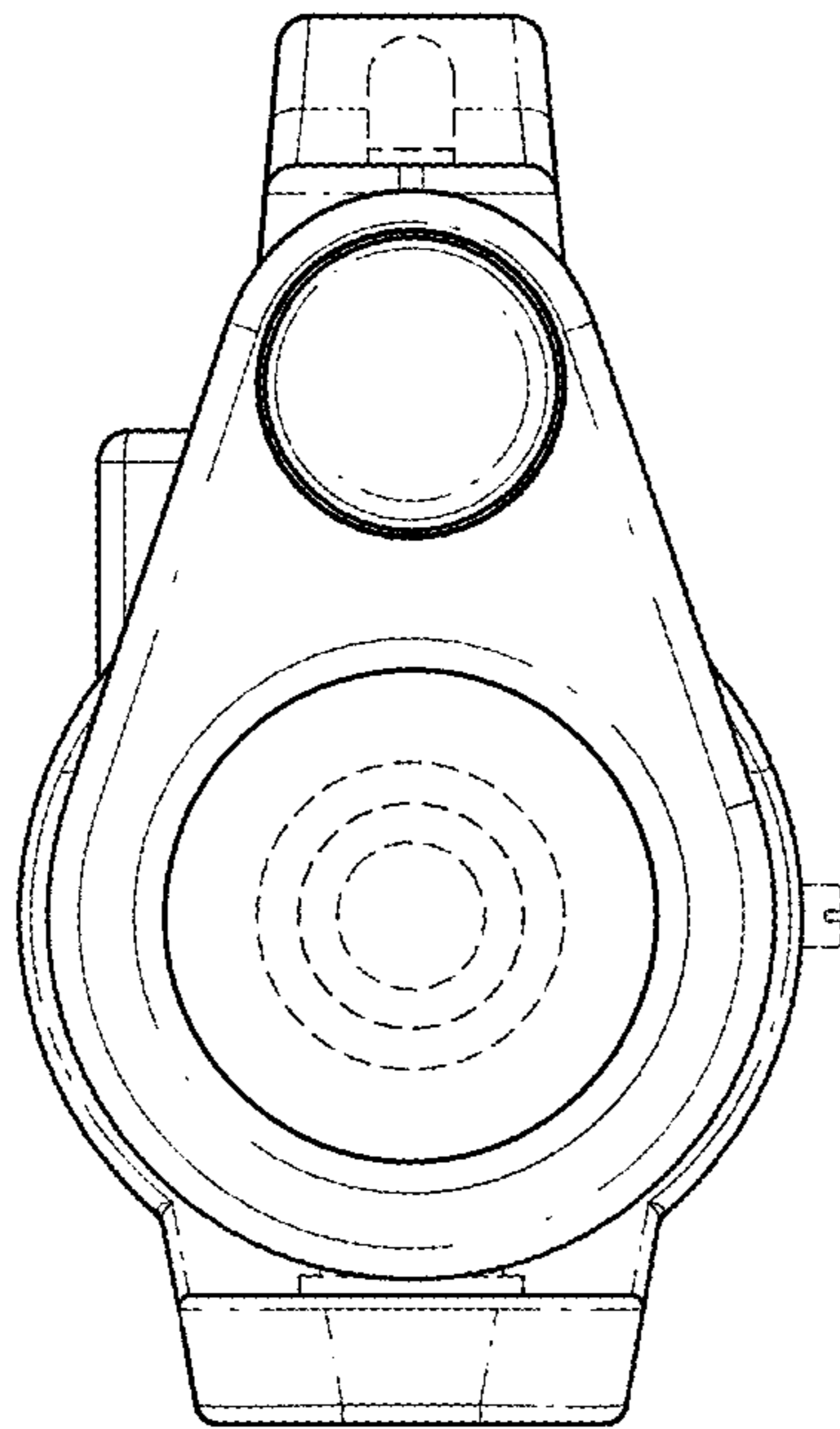


FIG. 6

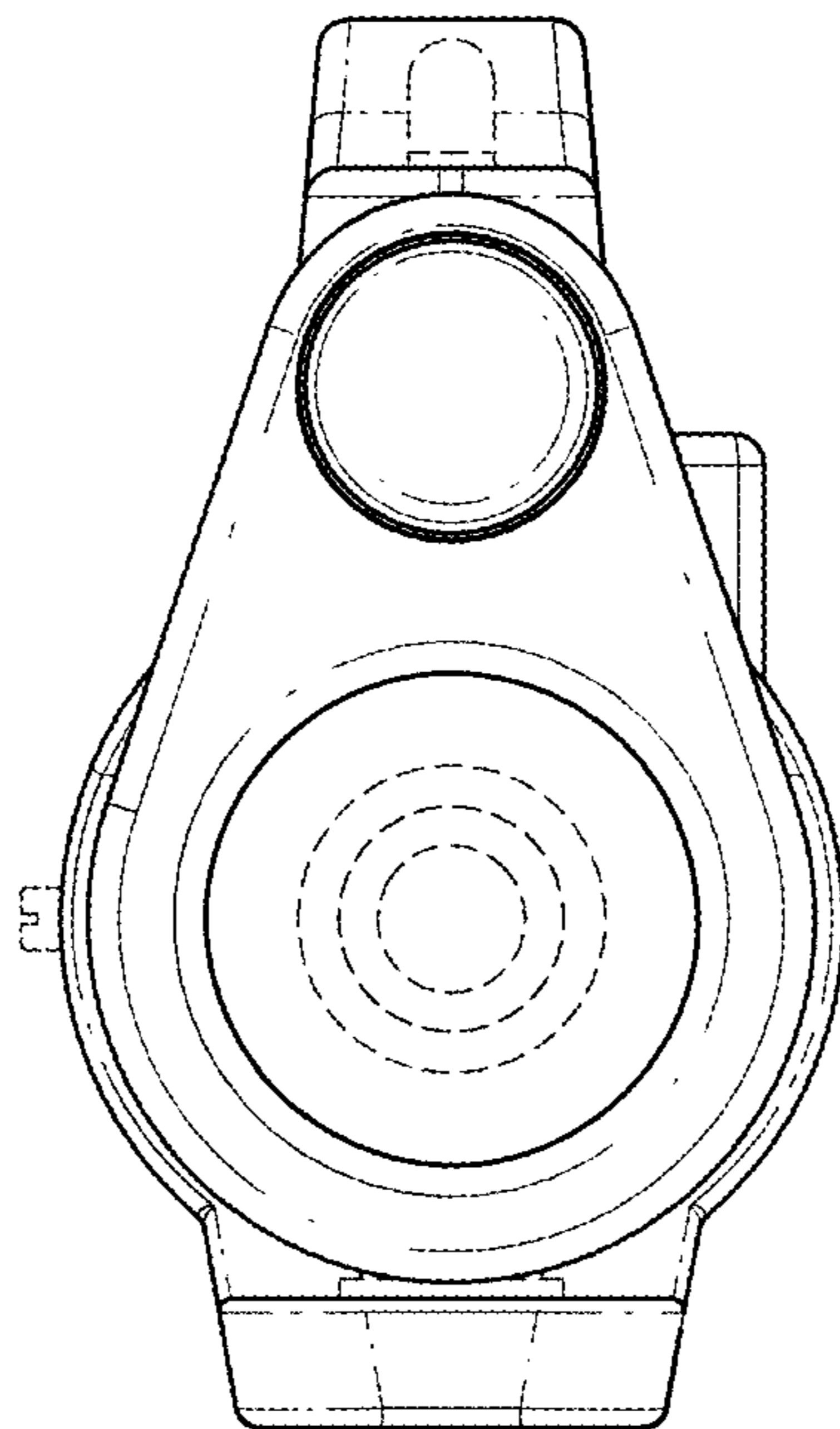


FIG. 7