



US00D769210S

(12) **United States Design Patent** (10) **Patent No.:** **US D769,210 S**
Haro et al. (45) **Date of Patent:** **** Oct. 18, 2016**

- (54) **MEDIA TERMINAL HOUSING**
- (71) Applicants: **Sal Haro**, Santa Ana, CA (US); **Li Ding**, Hunan (CN)
- (72) Inventors: **Sal Haro**, Santa Ana, CA (US); **Li Ding**, Hunan (CN)
- (**) Term: **15 Years**
- (21) Appl. No.: **29/540,361**
- (22) Filed: **Sep. 23, 2015**
- (51) **LOC (10) Cl.** **14-02**
- (52) **U.S. Cl.**
USPC **D14/159**; D14/432; D14/439
- (58) **Field of Classification Search**
USPC D14/300-302, 308-313, 314, 348,
D14/353-355, 432, 439-446, 240;
361/679.02, 679.31, 679.5, 690, 694,
361/679.23, 801, 802; 312/332.1, 334.1;
D13/162; D10/50
CPC A45C 11/00; A45C 2011/003; B60R
11/0241; B60R 11/0252; F16M 13/00;
F16M 11/00
See application file for complete search history.

- D561,734 S * 2/2008 Yamada D14/159
- D597,062 S * 7/2009 Lando D14/159
- D620,917 S * 8/2010 Hattori D14/159
- D639,753 S 6/2011 Saari
- D660,819 S 5/2012 Chen et al.
- D674,901 S 1/2013 Held
- D722,301 S * 2/2015 Crippa D14/159
- D729,760 S * 5/2015 Takahata D14/159

* cited by examiner

Primary Examiner — Austin Murphy
(74) *Attorney, Agent, or Firm* — Flyer & Flyer, a Professional Law Corp.; David R. Flyer

(57) **CLAIM**
We claim the ornamental design for a media terminal housing, substantially as shown and described.

DESCRIPTION

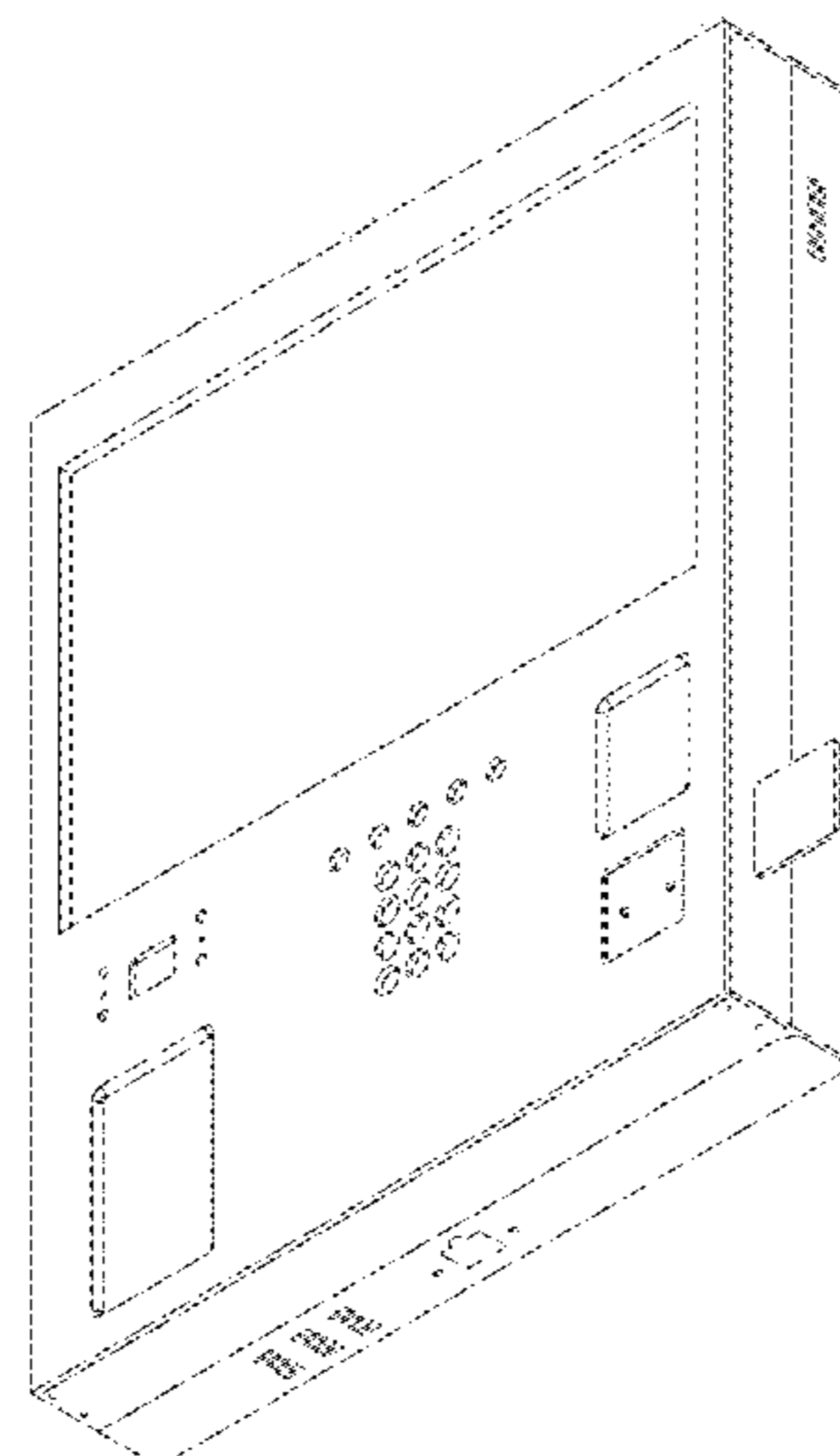
FIG. 1 is a front elevational view of a media terminal housing.
 FIG. 2 is a left side view thereof.
 FIG. 3 is a right side view thereof.
 FIG. 4 is a top view thereof.
 FIG. 5 is a bottom view thereof.
 FIG. 6 is a front, top, left perspective view thereof, showing a detachable customization logo plate with two pegs on the backside that can be fitted into two slots within the lower right rectangle on the media terminal housing.
 FIG. 7 is a front, bottom, right perspective view thereof, showing a detachable customization logo plate with two pegs on the backside that can be fitted into two slots within the lower right rectangle on the media terminal housing.
 FIG. 8 is a bottom, front, right view thereof, showing a detachable customization logo plate with two pegs on the backside that can be fitted into two slots within the lower right rectangle on the media terminal housing; and,
 FIG. 9 is a top, front, left view thereof, showing a detachable customization logo plate with two pegs on the backside that can be fitted into two slots within the lower right rectangle on the media terminal housing.

1 Claim, 7 Drawing Sheets

(56) **References Cited**

U.S. PATENT DOCUMENTS

D202,562 S	10/1965	Wann	
D277,480 S	2/1985	Jackwicz et al.	
D372,679 S	8/1996	Giannini	
D433,347 S	11/2000	Dance	
D469,420 S	1/2003	Parsadayan	
D494,881 S	8/2004	Niemi et al.	
D500,479 S	1/2005	Senda et al.	
D509,820 S	9/2005	Yoshida et al.	
D520,488 S *	5/2006	Fabrizi	D14/159
D525,160 S	7/2006	Kurata	
D531,160 S	10/2006	Yukikado et al.	
D534,885 S *	1/2007	Holger	D14/130
D535,268 S *	1/2007	Holger	D14/130
D554,103 S *	10/2007	Morikawa	D14/142



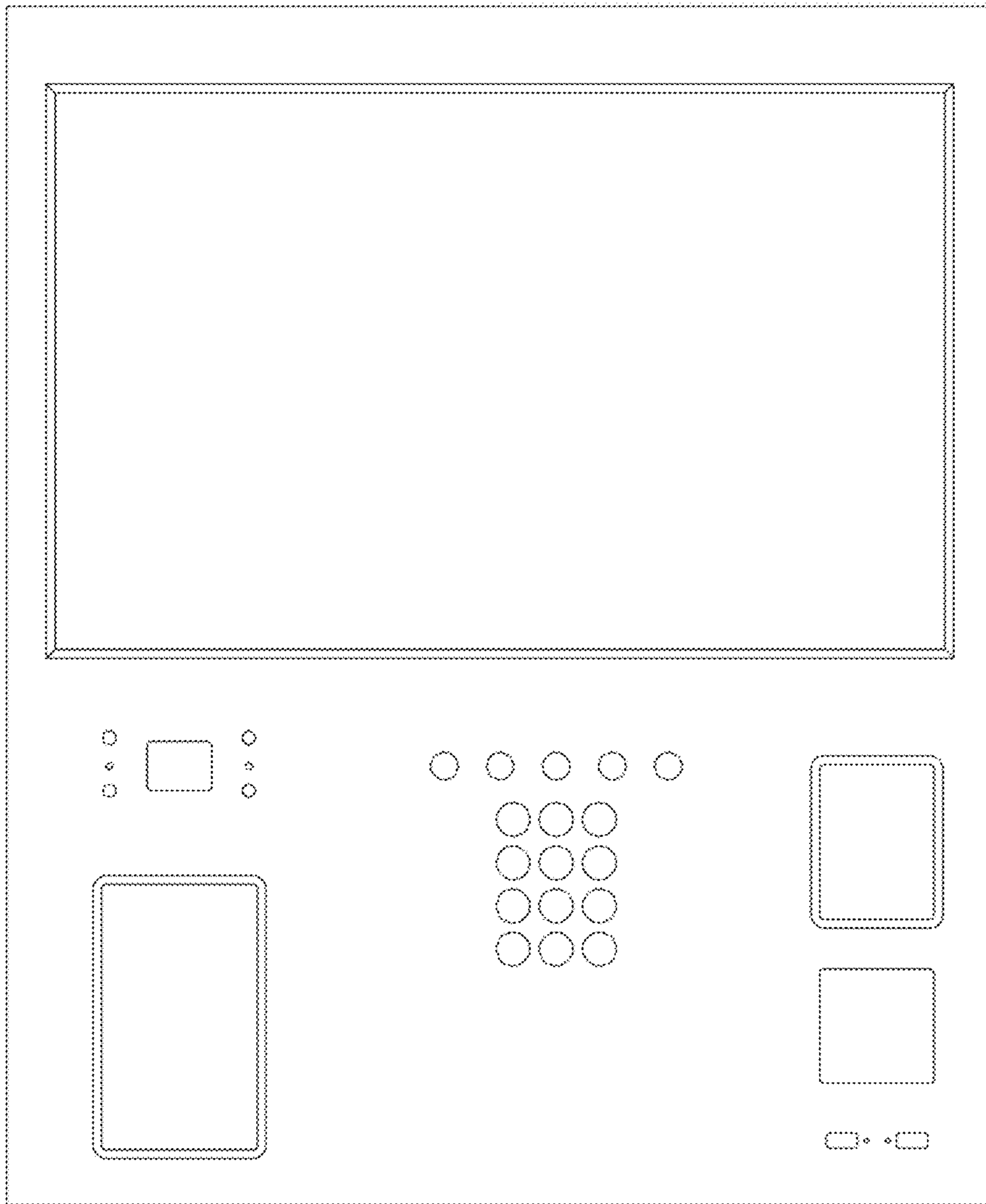


Fig. 1

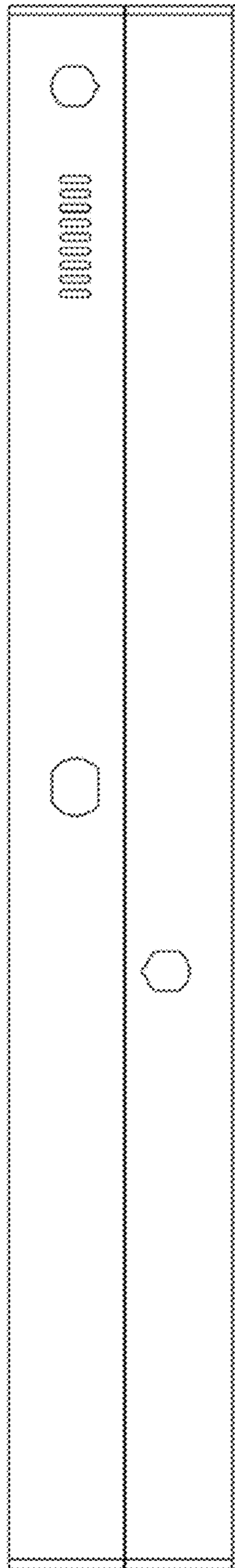


Fig. 2

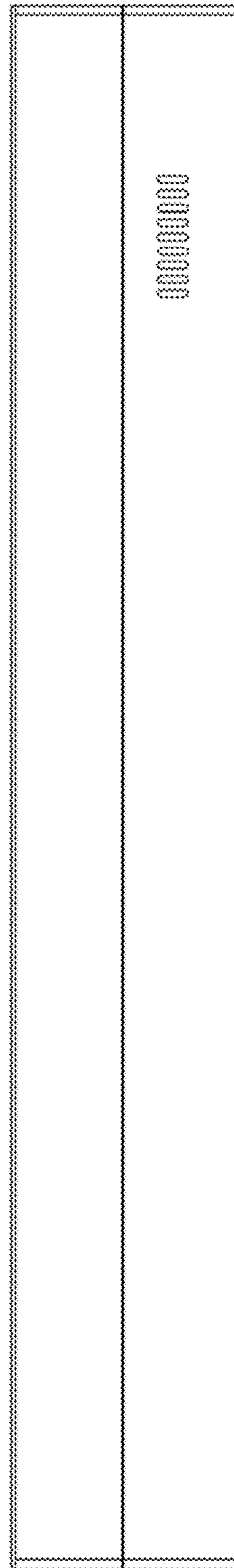


Fig. 3

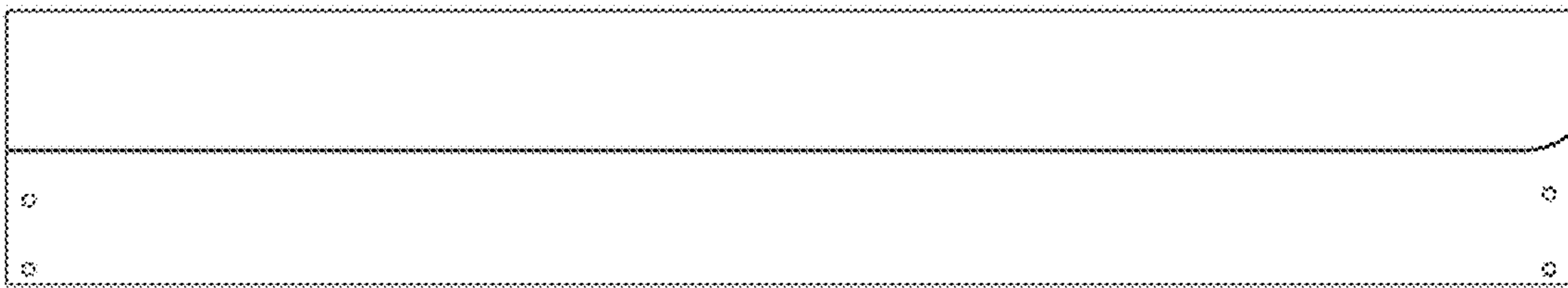


Fig. 4

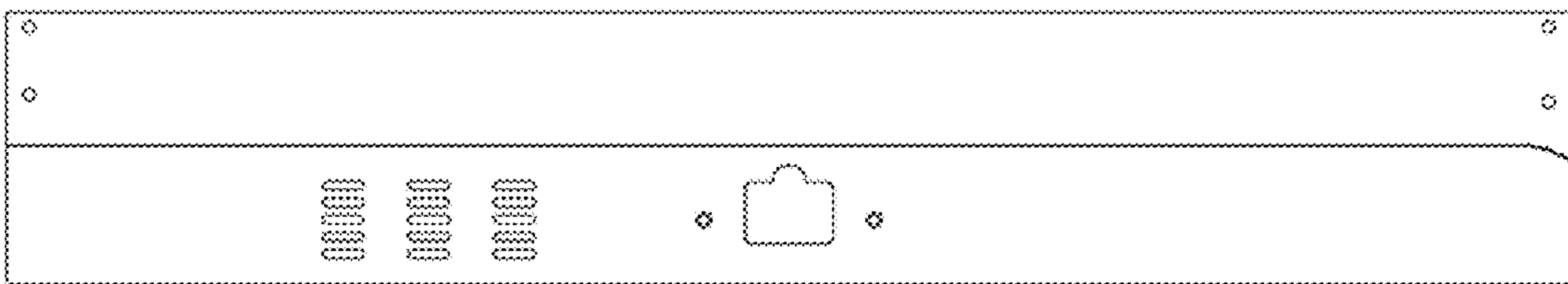


Fig. 5

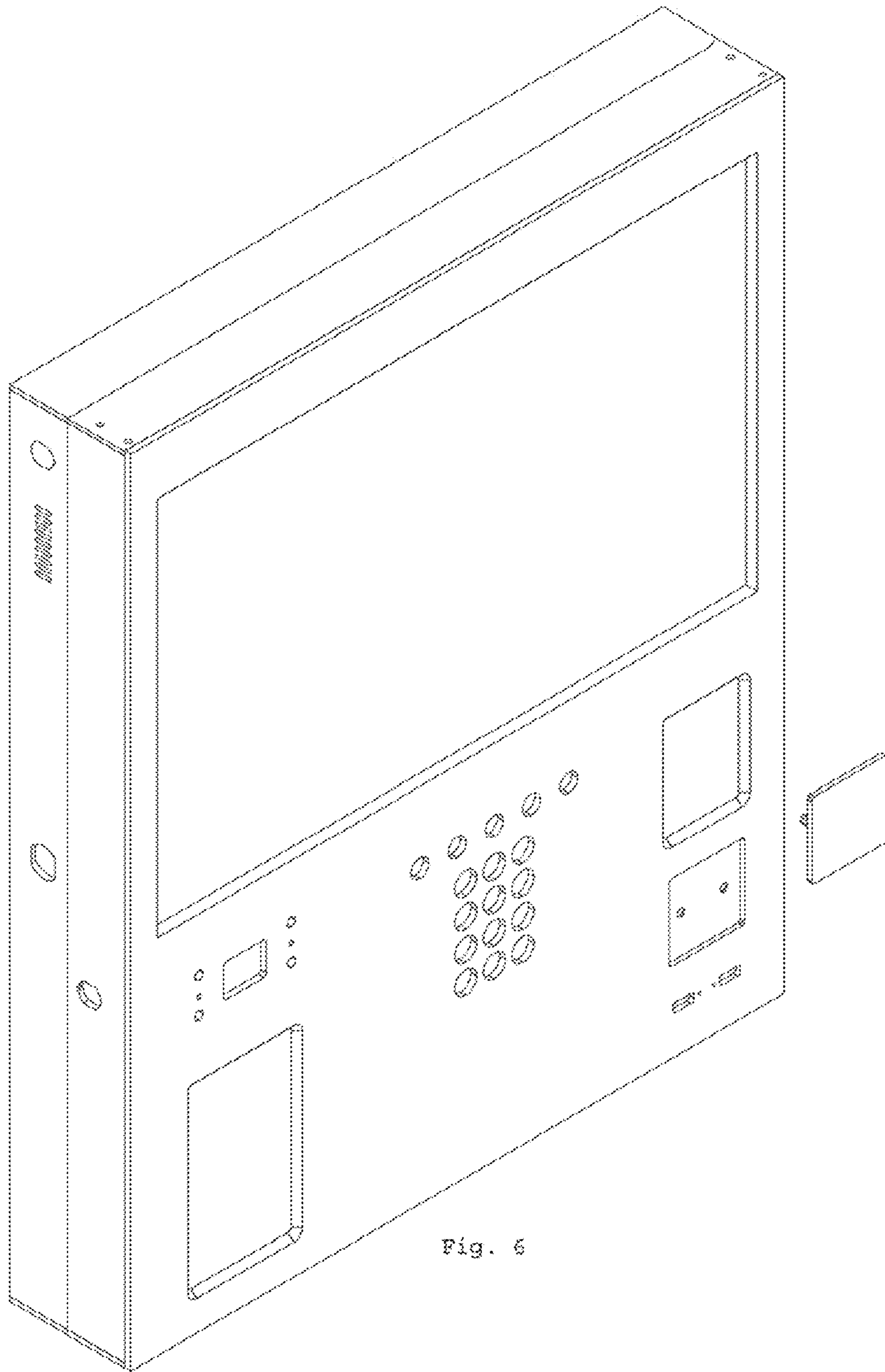


Fig. 6

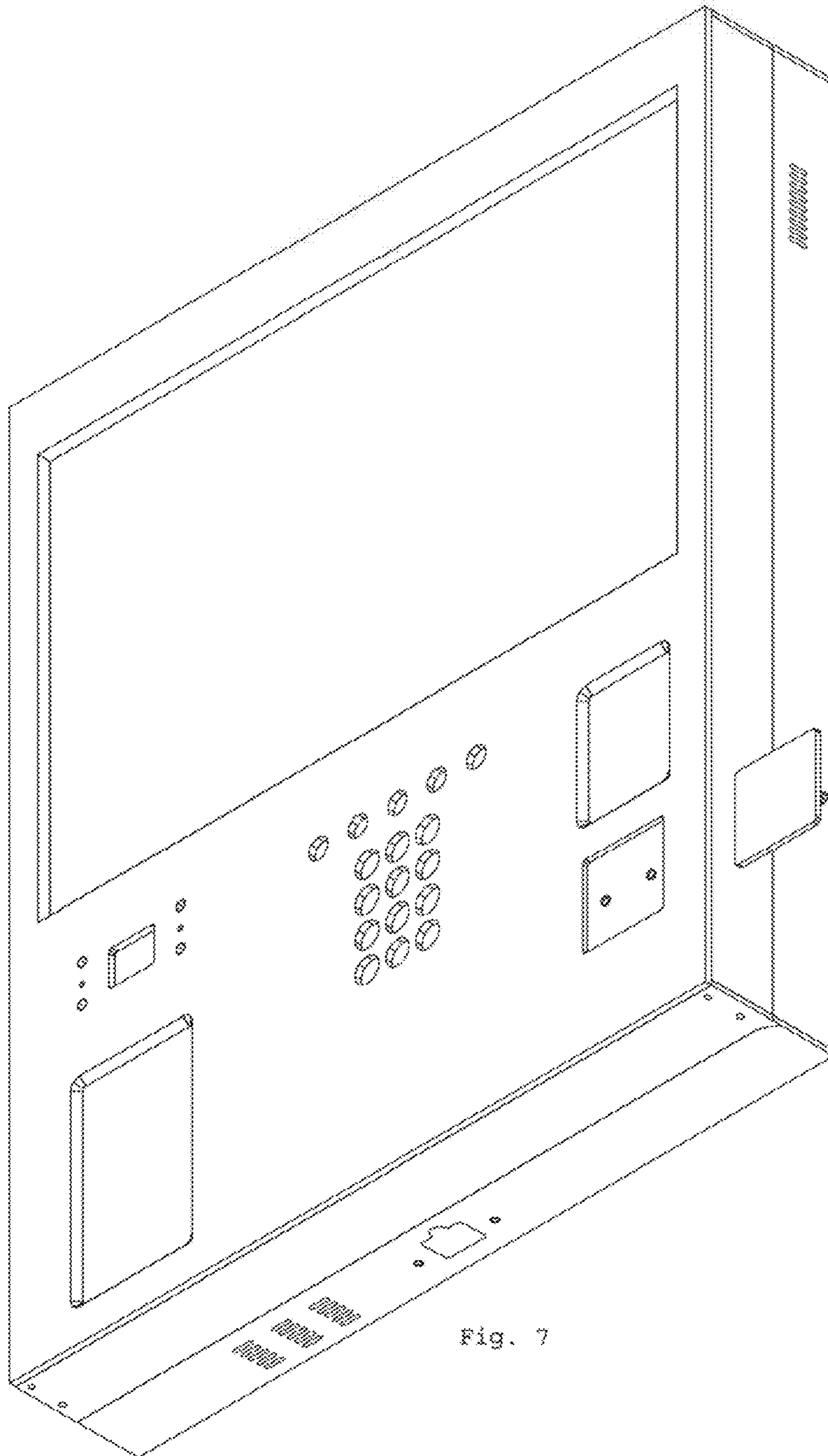


Fig. 7

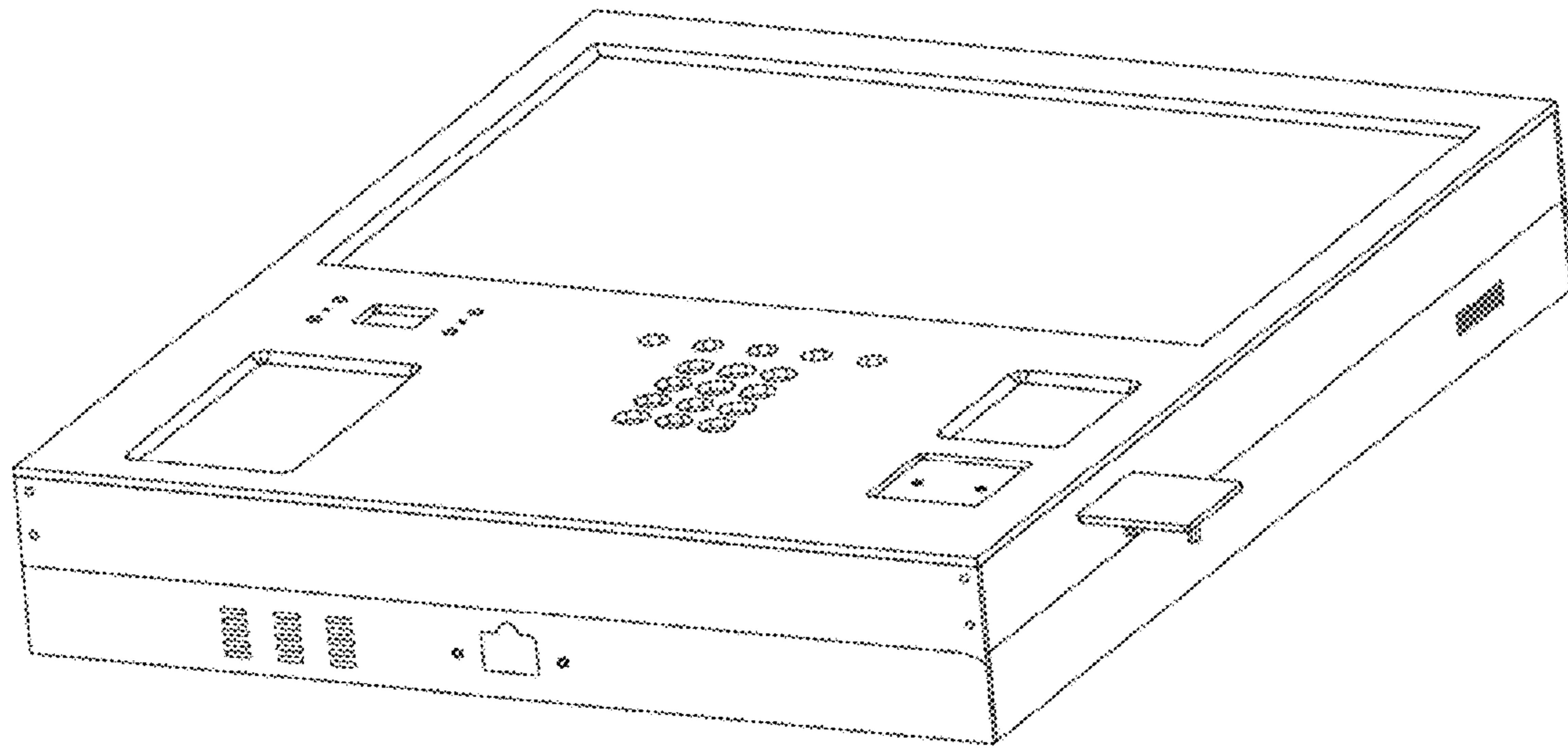


Fig. 8

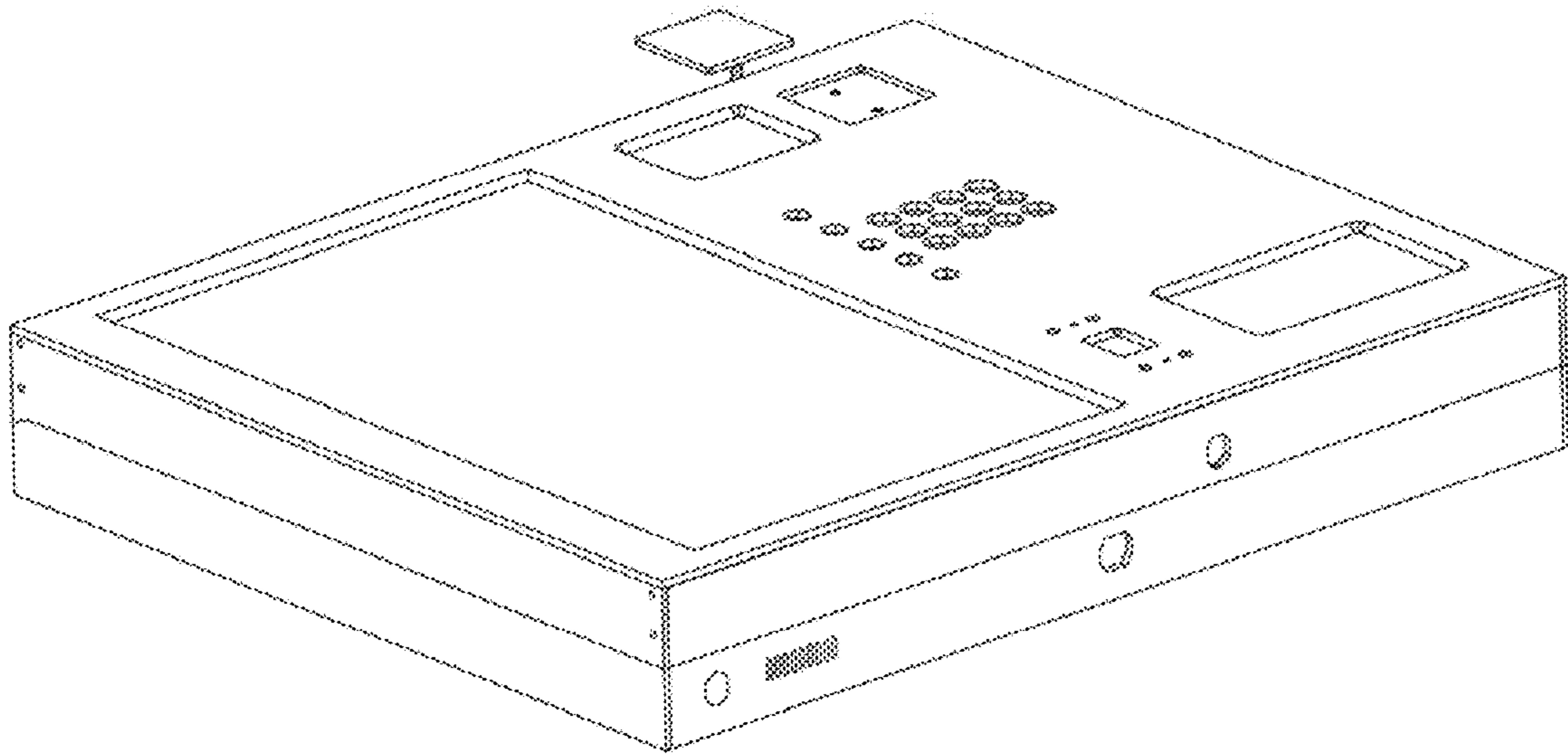


Fig. 9