



US00D769207S

(12) **United States Design Patent**  
**Won et al.**

(10) **Patent No.:** **US D769,207 S**

(45) **Date of Patent:** **\*\* Oct. 18, 2016**

(54) **TV RECEIVER**

CPC . G06F 1/1601; G06F 1/1643; H05K 5/0004;  
H05K 5/0017; H05K 5/02; H05K 5/0217;  
H04N 13/0459

(71) Applicant: **LG ELECTRONICS INC.**, Seoul  
(KR)

See application file for complete search history.

(72) Inventors: **Hyojin Won**, Seoul (KR); **Hyeyoung Hong**, Seoul (KR); **Yongho Lee**, Seoul (KR); **Hewon Kihl**, Seoul (KR); **Jeongrok Lee**, Seoul (KR); **Junghoon Lee**, Seoul (KR)

(56) **References Cited**

U.S. PATENT DOCUMENTS

D572,677	S	*	7/2008	Niitsu	.....	D14/126
D625,278	S	*	10/2010	Kim	.....	D14/126
D637,573	S	*	5/2011	Lee	.....	D14/126
D656,117	S	*	3/2012	Won	.....	D14/126
D670,256	S	*	11/2012	Kim	.....	D14/126
D679,268	S	*	4/2013	Won	.....	D14/239
D684,944	S	*	6/2013	Seong	.....	D14/126

(73) Assignee: **LG ELECTRONICS INC.**, Seoul  
(KR)

(\*\*) Term: **15 Years**

\* cited by examiner

(21) Appl. No.: **29/530,834**

*Primary Examiner* — Raphael Barkai

(22) Filed: **Jun. 19, 2015**

(74) *Attorney, Agent, or Firm* — Birch, Stewart, Kolasch & Birch, LLP

(30) **Foreign Application Priority Data**

Dec. 19, 2014 (KR) ..... 30-2014-0062167

(51) **LOC (10) Cl.** ..... **14-03**

(52) **U.S. Cl.**  
USPC ..... **D14/126**

(58) **Field of Classification Search**  
USPC ..... D14/125–134, 239, 371, 136, 374–377,  
D14/440, 450, 448, 336, 342, 159; 312/7.2;  
348/836, 838, 180, 184, 325, 739;  
248/917–924, 465; 345/104, 133, 156,  
345/168, 87, 173; D21/329, 515, 577, 622,  
D21/333, 433, 448, 452, 450, 331, 505;  
D10/15, 26; 446/484, 175, 356;  
D6/477, 479, 300; D20/10, 19, 39

(57) **CLAIM**

The ornamental design for a TV receiver, as shown and described.

**DESCRIPTION**

FIG. 1 is a front, right side, perspective view of a TV receiver showing our new design;  
FIG. 2 is a front view thereof;  
FIG. 3 is a rear view thereof;  
FIG. 4 is a left side view thereof;  
FIG. 5 is a right side view thereof;  
FIG. 6 is a top view thereof; and,  
FIG. 7 is a bottom view thereof.  
The broken lines indicate unclaimed portion of the article that form no part of the claimed design.

**1 Claim, 3 Drawing Sheets**

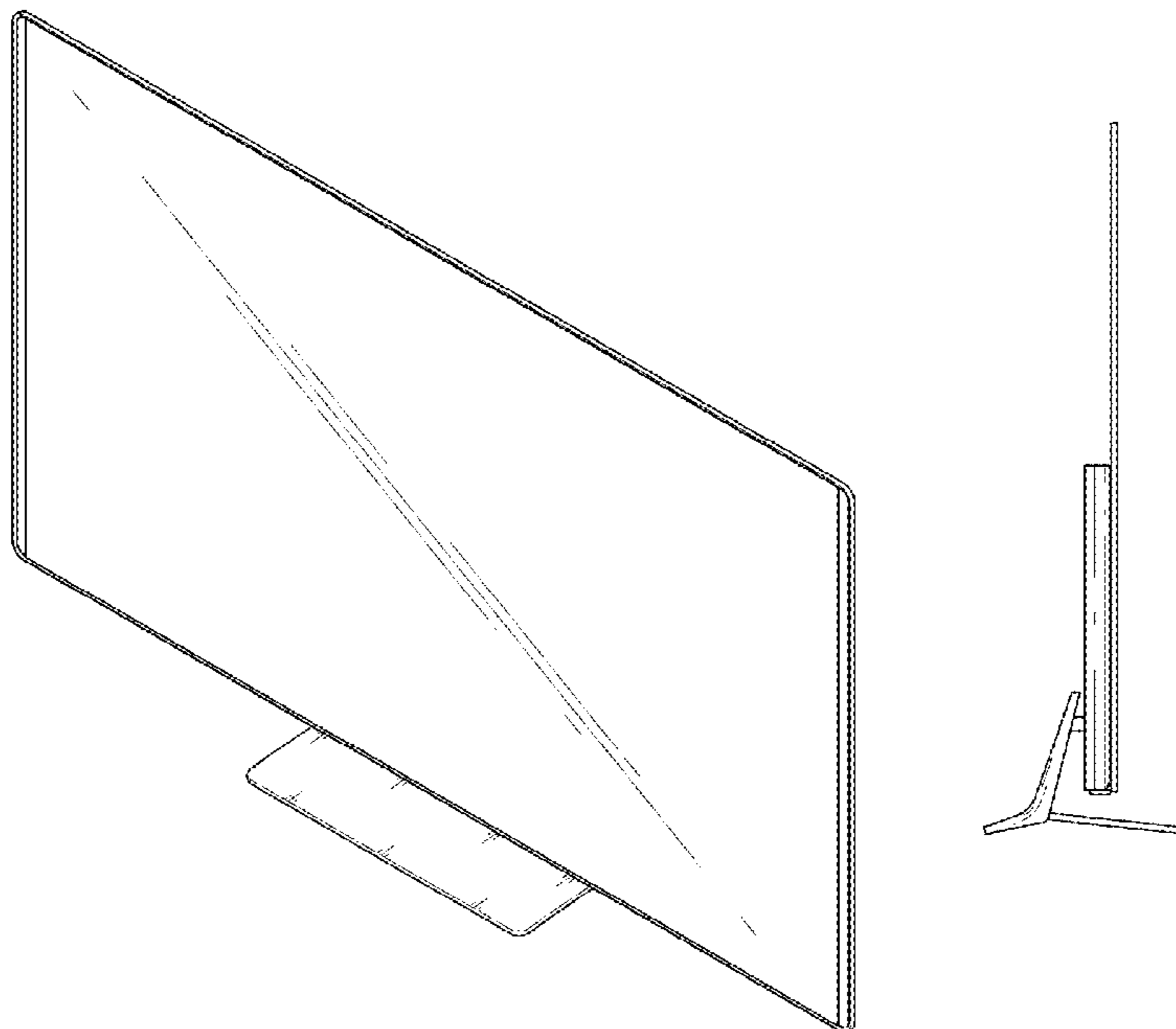


FIG. 1

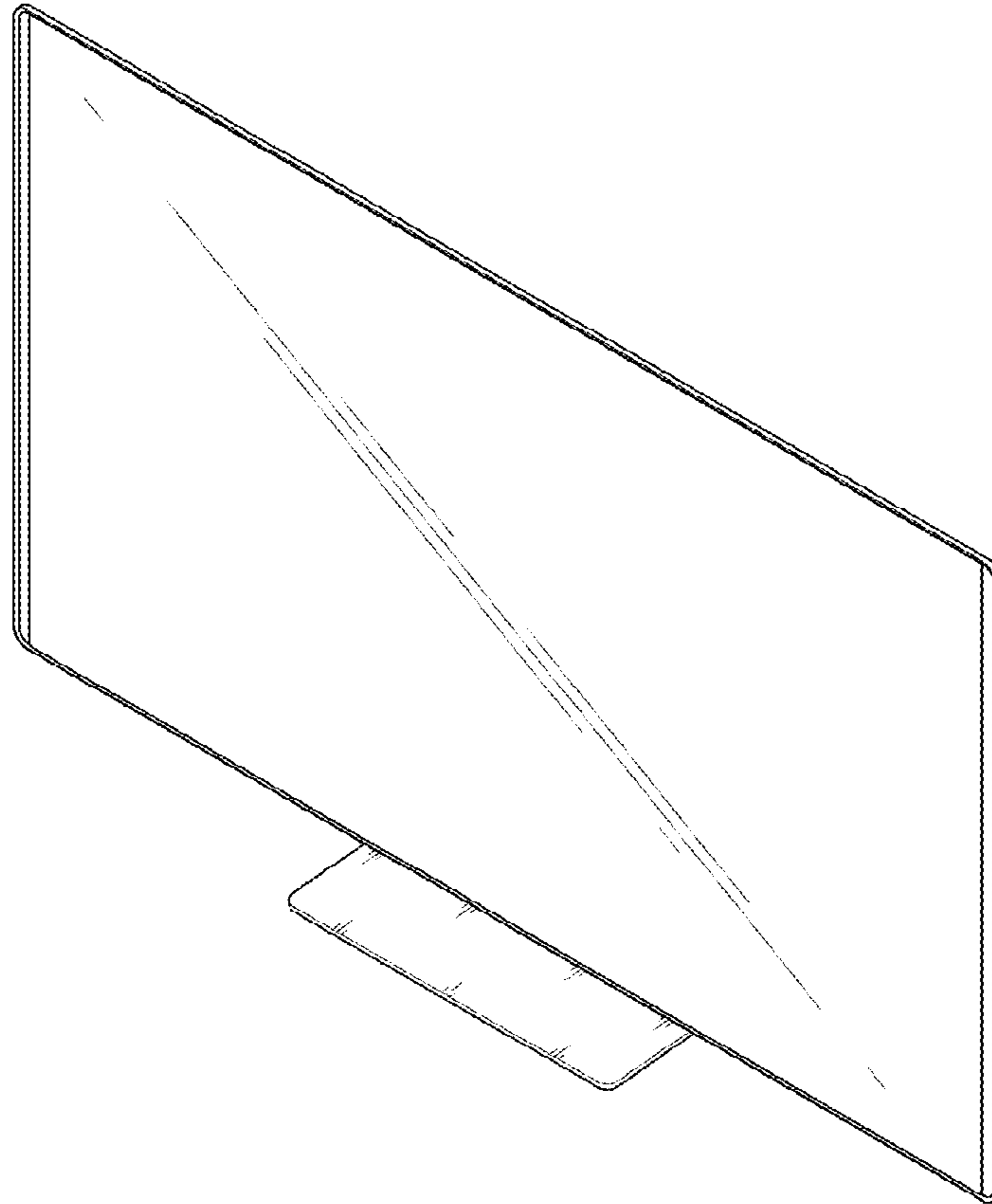


FIG. 2

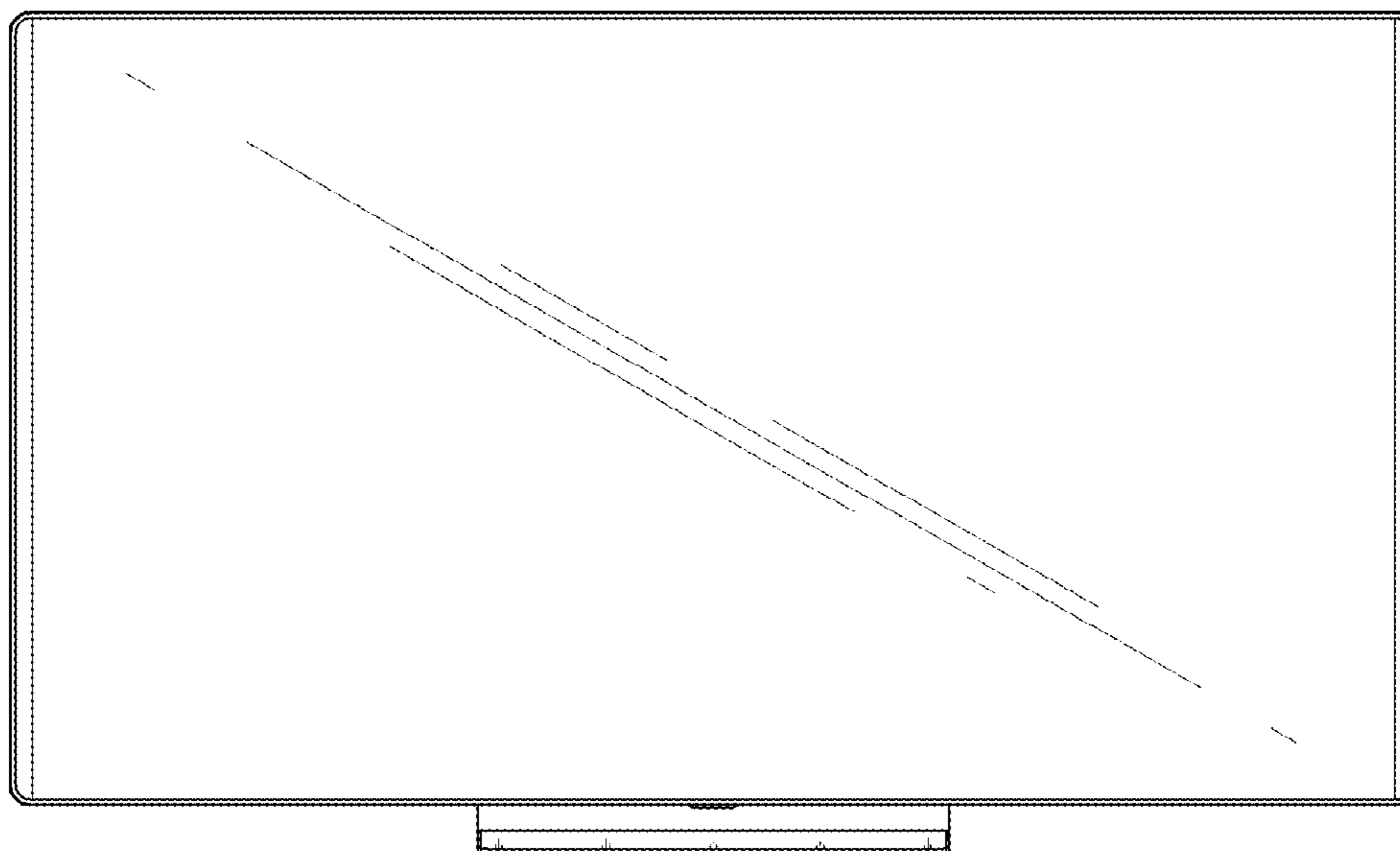


FIG. 3

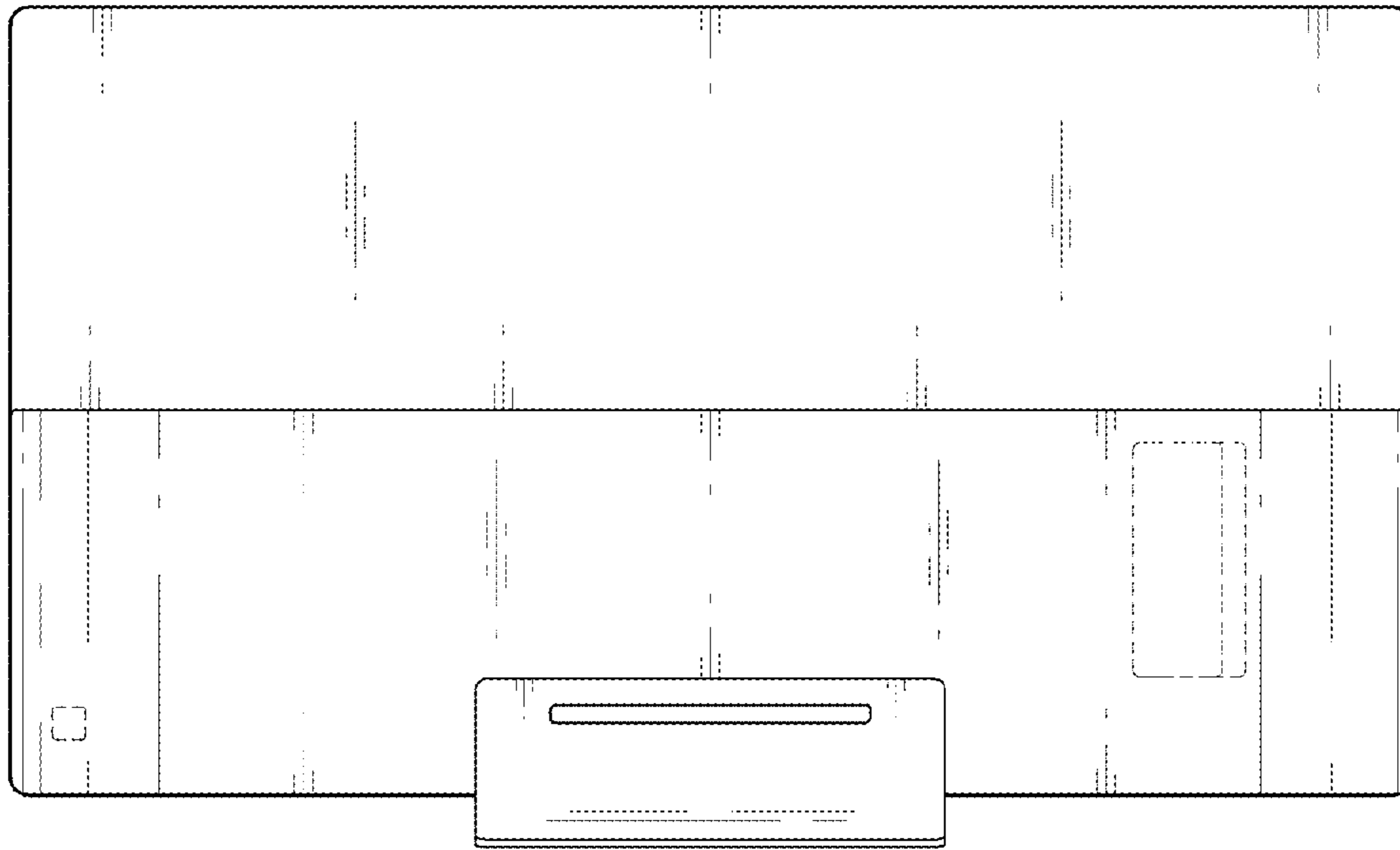


FIG. 4

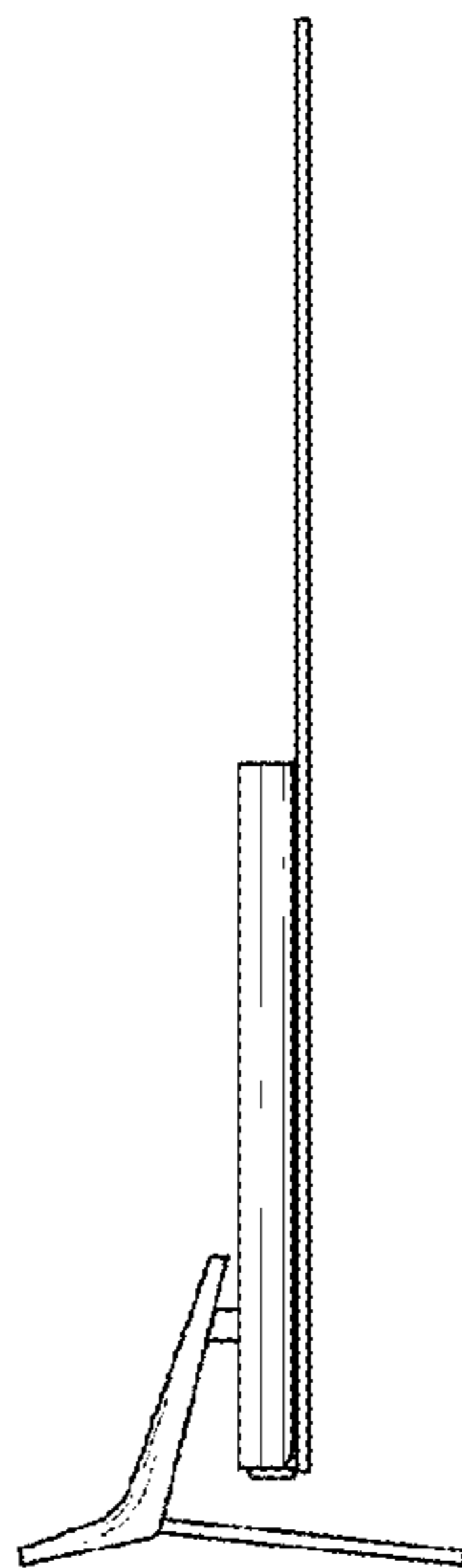


FIG. 5

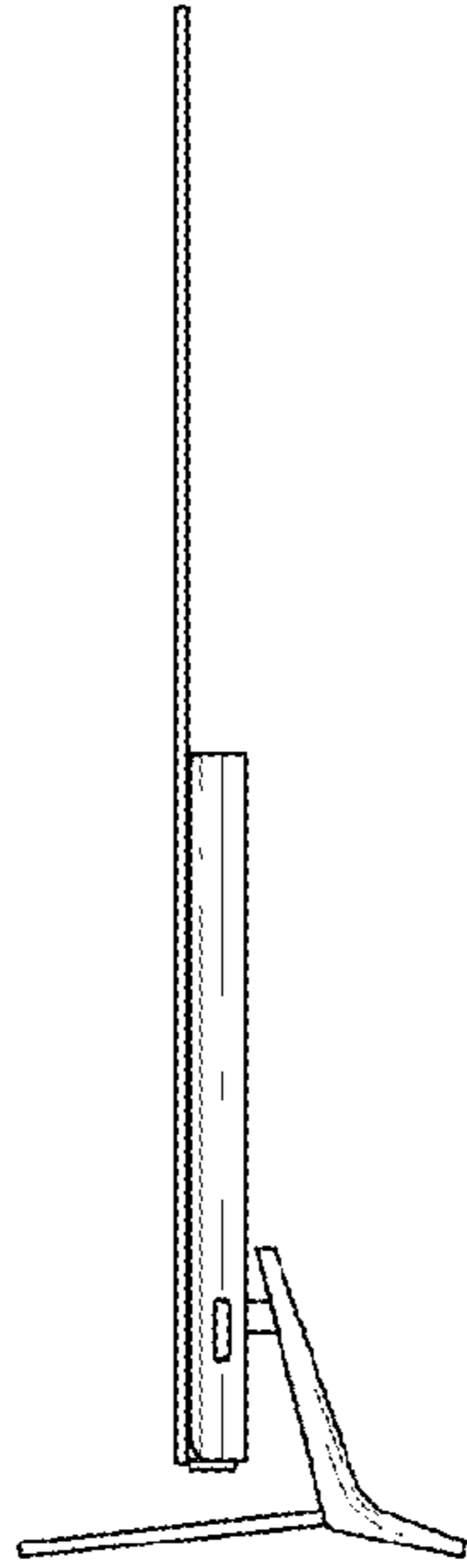


FIG. 6

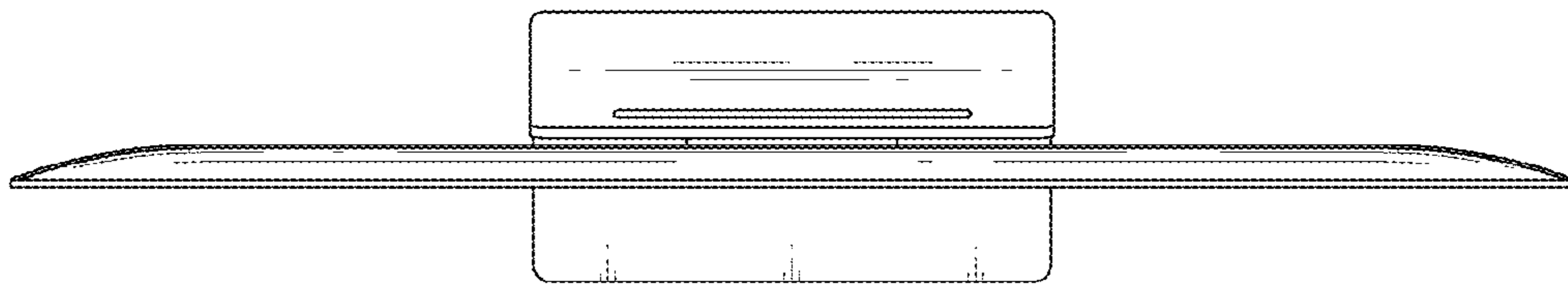


FIG. 7

