



US00D769206S

(12) **United States Design Patent**
Seo et al.

(10) **Patent No.:** **US D769,206 S**
(45) **Date of Patent:** **** Oct. 18, 2016**

(54) **TELEVISION**

FOREIGN PATENT DOCUMENTS

(71) Applicant: **Samsung Electronics Co., Ltd.**,
Suwon-si, Gyeonggi-do (KR)

CN 302909771 S 8/2014
EM 002463190-0001 5/2014
KR 30-0729211 5/2014

(72) Inventors: **Young Jin Seo**, Seoul (KR); **Sung Jin Ann**, Seoul (KR)

* cited by examiner

(73) Assignee: **SAMSUNG ELECTRONICS CO., LTD.**, Suwon-Si, Gyeonggi-Do (KR)

Primary Examiner — Raphael Barkai

(74) *Attorney, Agent, or Firm* — Ladas & Parry LLP

(**) Term: **15 Years**

(21) Appl. No.: **29/529,094**

(22) Filed: **Jun. 3, 2015**

(30) **Foreign Application Priority Data**

Dec. 26, 2014 (KR) 30-2014-0063515

(51) **LOC (10) Cl.** **14-03**

(52) **U.S. Cl.**
USPC **D14/126**

(58) **Field of Classification Search**

USPC D14/125-134, 239, 371, 136, 374-377,
D14/440, 450, 448, 336, 342, 159; 312/7.2;
348/836, 838, 180, 184, 325, 739;
248/917-924, 465; 345/104, 133, 156,
345/168, 87, 173; D21/329, 515, 577, 622,
D21/333, 433, 448, 452, 450, 331, 505;
D10/15, 26; 446/484, 175, 356;
D6/477, 479, 300; D20/10, 19, 39
CPC . G06F 1/1601; G06F 1/1643; H05K 5/0004;
H05K 5/0017; H05K 5/02; H05K 5/0217;
H04N 13/0459

See application file for complete search history.

(56) **References Cited**

U.S. PATENT DOCUMENTS

D719,116 S * 12/2014 Bang D14/126
D730,856 S * 6/2015 Park D14/126
D738,339 S * 9/2015 Seo D14/126
D755,143 S * 5/2016 Moon D14/126

(57) **CLAIM**

We claim the ornamental design for the television, as shown and described.

DESCRIPTION

FIG. 1 is the front perspective view of the television showing our new design;

FIG. 2 is the front view thereof;

FIG. 3 is the view thereof;

FIG. 4 is the left-side view thereof;

FIG. 5 is the right-side view thereof;

FIG. 6 is the top plan view thereof;

FIG. 7 is the bottom plan view thereof;

FIG. 8 is a rear perspective view thereof;

FIG. 9 is a partially enlarged view of FIG. 1; and,

FIG. 10 is a partially enlarged view of FIG. 1.

The broken lines in the drawing show unclaimed environment only and form no part of the claimed design.

The dot-dash lines in the figures represent an unclaimed boundary line and form no part of the claimed design.

The dot-dot-dash lines encircling portions of the claimed design that are illustrated in enlargements form no part of the claimed design.

1 Claim, 9 Drawing Sheets

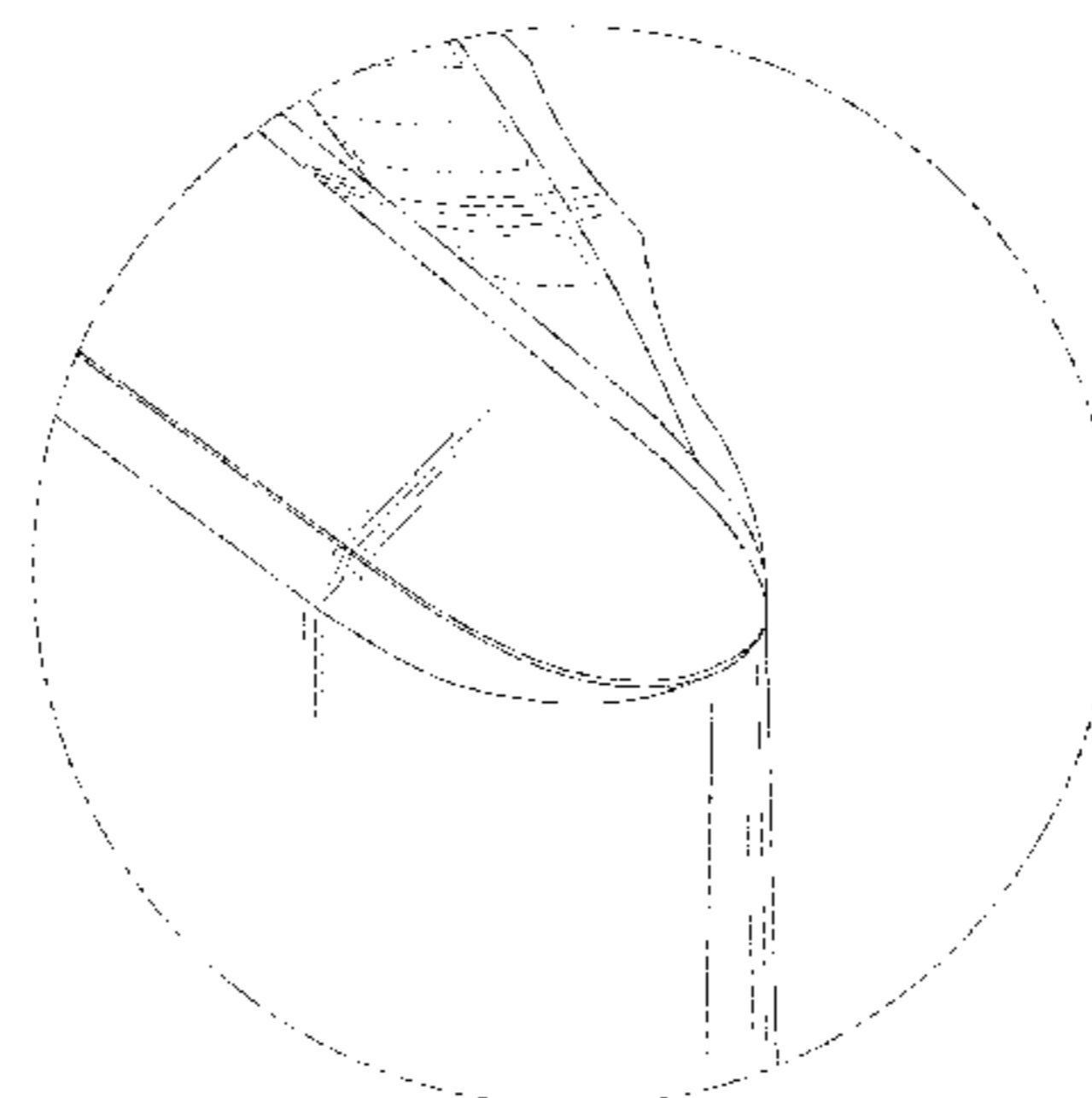
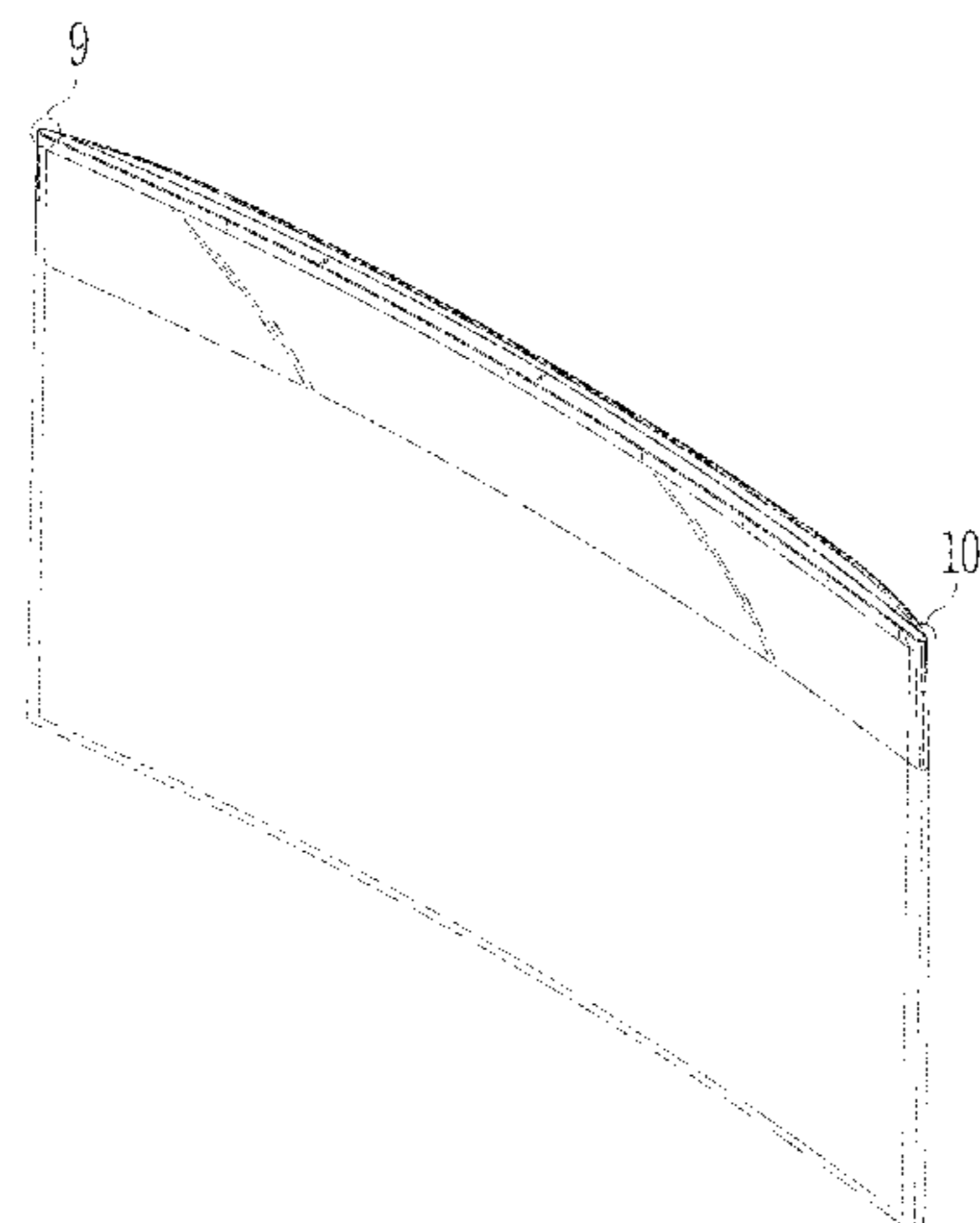


FIG. 1

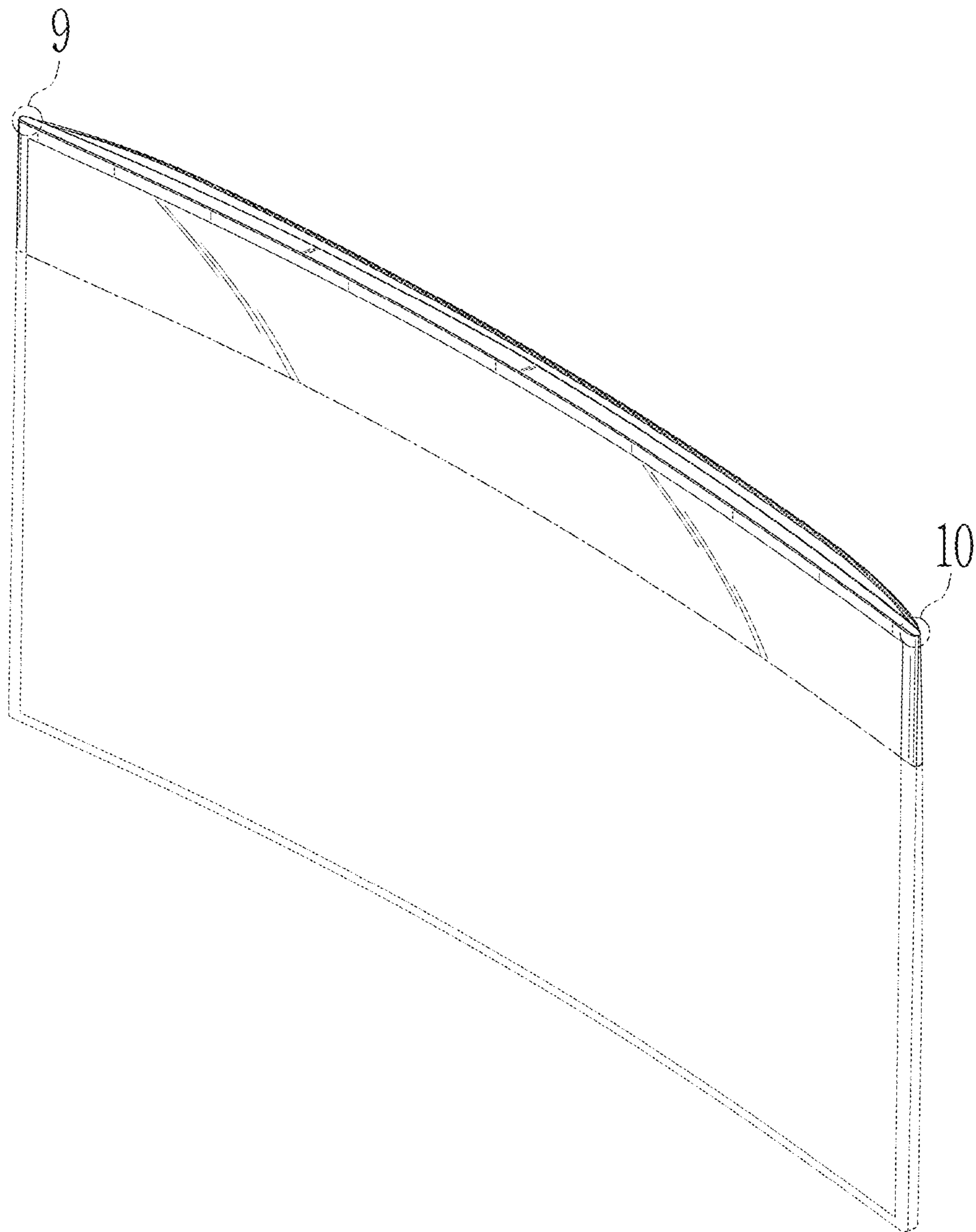


FIG. 2

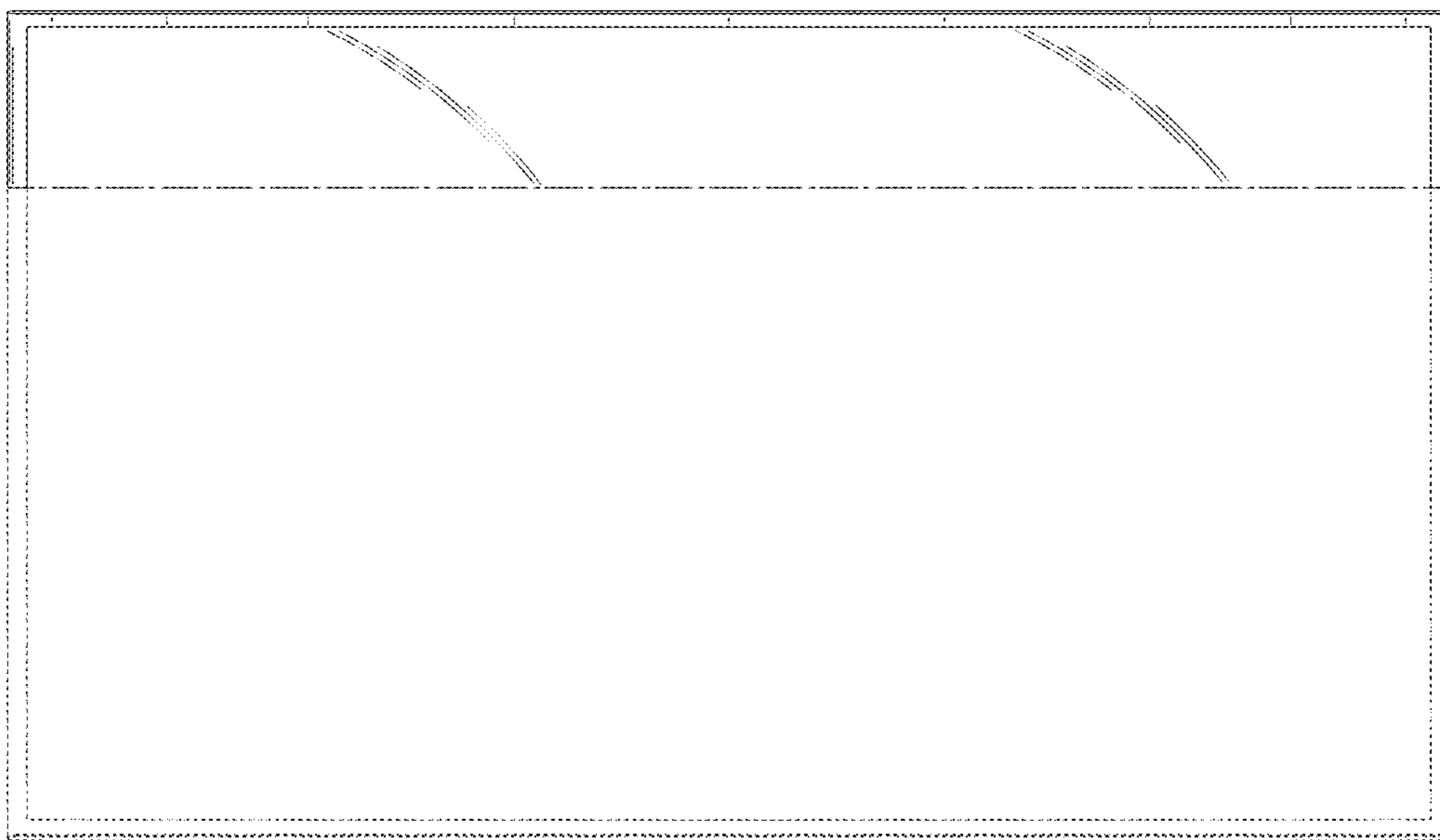


FIG. 3

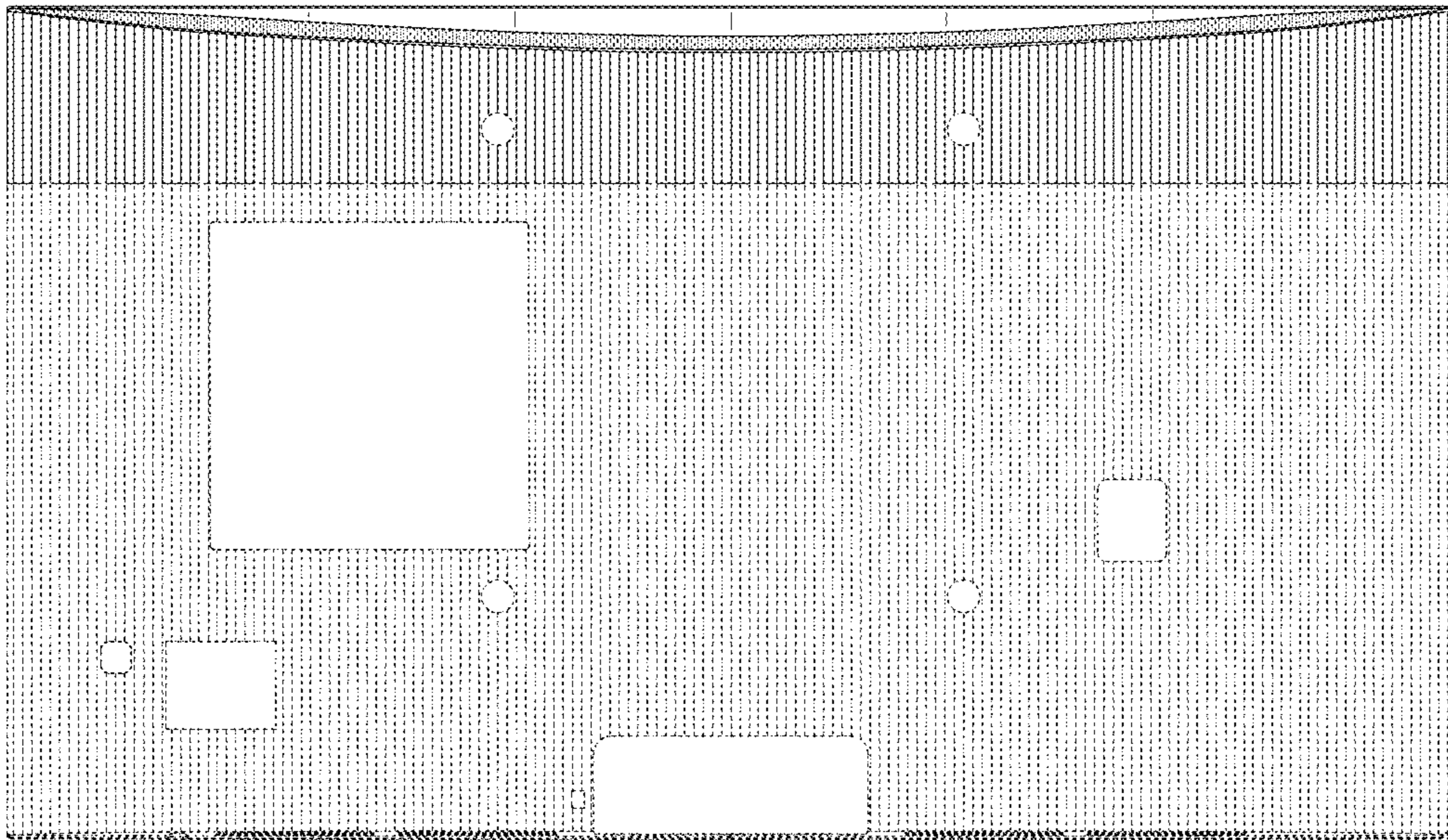


FIG. 4

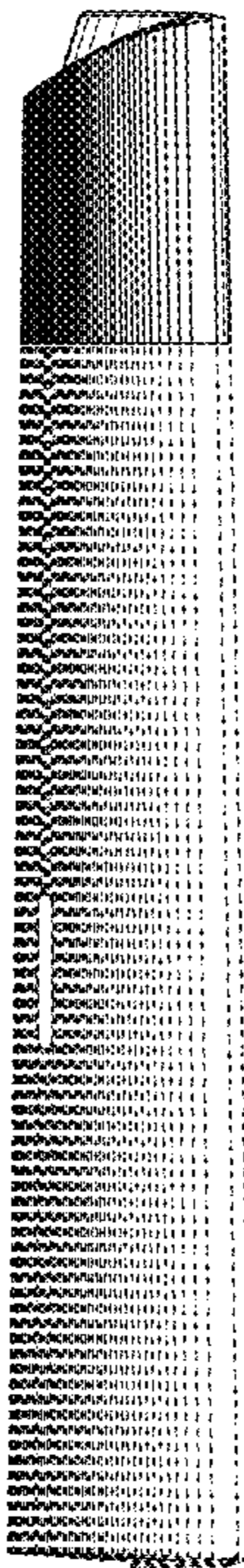


FIG. 5

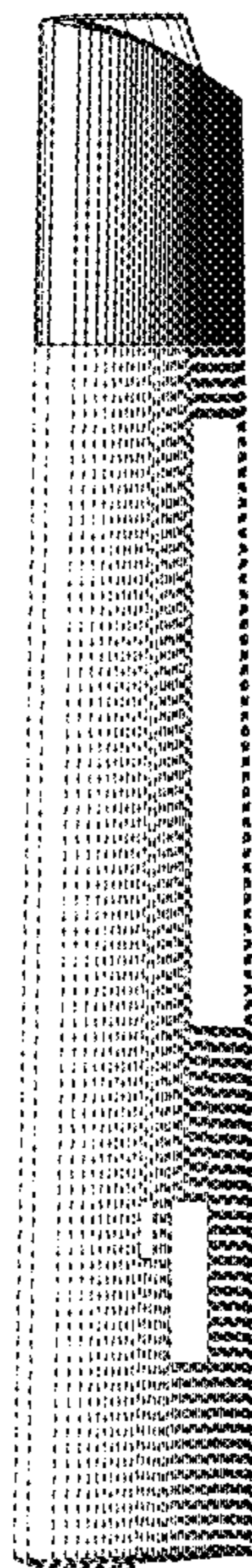


FIG. 6

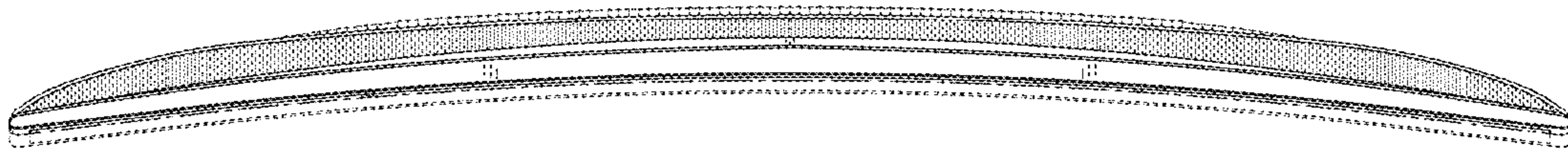


FIG. 7

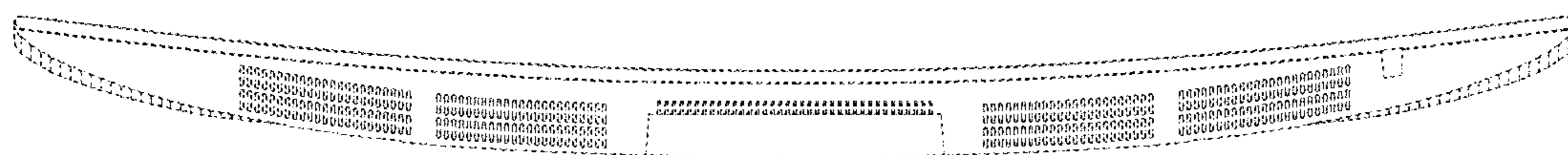


FIG. 8

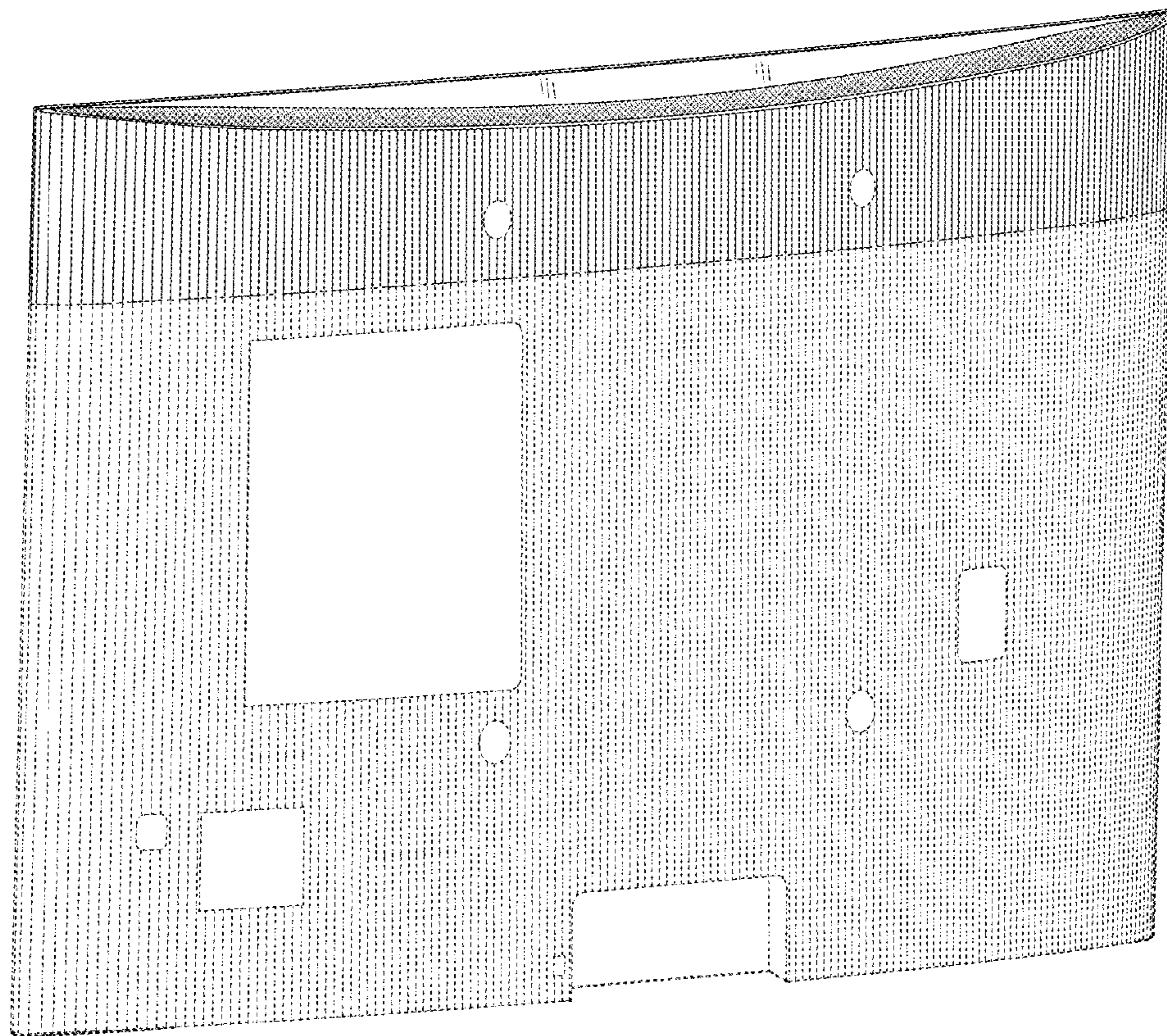


FIG. 9

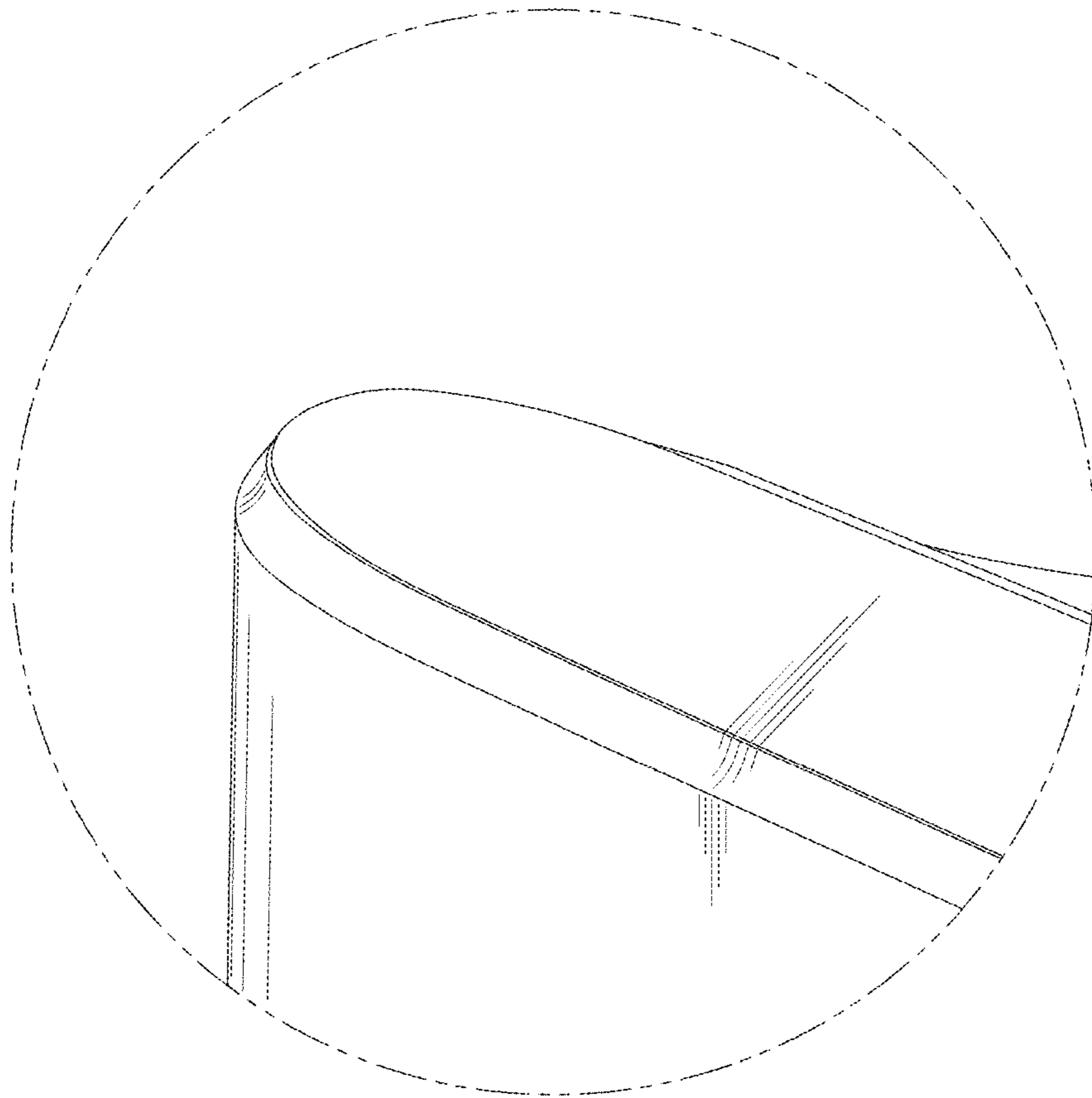


FIG. 10

