

US00D769204S

(12) **United States Design Patent**
Kim et al.

(10) **Patent No.:** **US D769,204 S**

(45) **Date of Patent:** **** Oct. 18, 2016**

(54) **TV RECEIVER**

(71) Applicant: **LG ELECTRONICS INC.**, Seoul (KR)

(72) Inventors: **Yeonjin Kim**, Seoul (KR); **Hyeyoung Hong**, Seoul (KR); **Junghoon Lee**, Seoul (KR); **Kyongtae Han**, Seoul (KR); **Yongho Lee**, Seoul (KR)

(73) Assignee: **LG ELECTRONICS INC.**, Seoul (KR)

(**) Term: **14 Years**

(21) Appl. No.: **29/514,681**

(22) Filed: **Jan. 15, 2015**

(30) **Foreign Application Priority Data**

Jul. 16, 2014 (KR) 30-2014-0034836

(51) **LOC (10) Cl.** **14-03**

(52) **U.S. Cl.**
USPC **D14/126**

(58) **Field of Classification Search**
USPC D14/125-134, 239, 371, 136, 374-377, D14/440, 450, 448, 336, 342, 159; 312/7.2; 348/836, 838, 180, 184, 325, 739; 248/917-924, 465; 345/104, 133, 156, 345/168, 87, 173; D21/329, 515, 577, 622, D21/333, 433, 448, 452, 450, 331, 505; D10/15, 26; 446/484, 175, 356; D6/477, 479, 300; D20/10, 19, 39; D5/4, 5, 30, 61
CPC . G06F 1/1601; G06F 1/1643; H05K 5/0004; H05K 5/0017; H05K 5/02; H05K 5/0217; H04N 13/0459

See application file for complete search history.

(56) **References Cited**

U.S. PATENT DOCUMENTS

D88,550 S *	12/1932	Hellman	D5/61
D122,622 S *	9/1940	Bixer	D5/61
D124,243 S *	12/1940	Breuss	D5/61
D198,725 S *	7/1964	Hofferberth	D19/5
D390,708 S *	2/1998	Brown	D5/53
D702,445 S *	4/2014	Boyle	D5/61
D735,656 S *	8/2015	Seii	D5/30
D735,659 S *	8/2015	Ropars	D5/30
D740,243 S *	10/2015	Bieler	D14/126

* cited by examiner

Primary Examiner — Raphael Barkai

(74) *Attorney, Agent, or Firm* — Birch, Stewart, Kolasch & Birch, LLP

(57) **CLAIM**

The ornamental design for a TV receiver, as shown and described.

DESCRIPTION

FIG. 1 is a front, right side, perspective view of a TV receiver showing our new design; FIG. 2 is a front view thereof; FIG. 3 is a rear view thereof; FIG. 4 is a left side view thereof; FIG. 5 is a right side view thereof; FIG. 6 is a top view thereof; FIG. 7 is a bottom view thereof; FIG. 8 is a rear, right side, perspective view thereof; and, FIG. 9 is an enlarged view of the sound reflector thereof. The broken lines indicate unclaimed portion of the article that form no part of the claimed design.

1 Claim, 8 Drawing Sheets

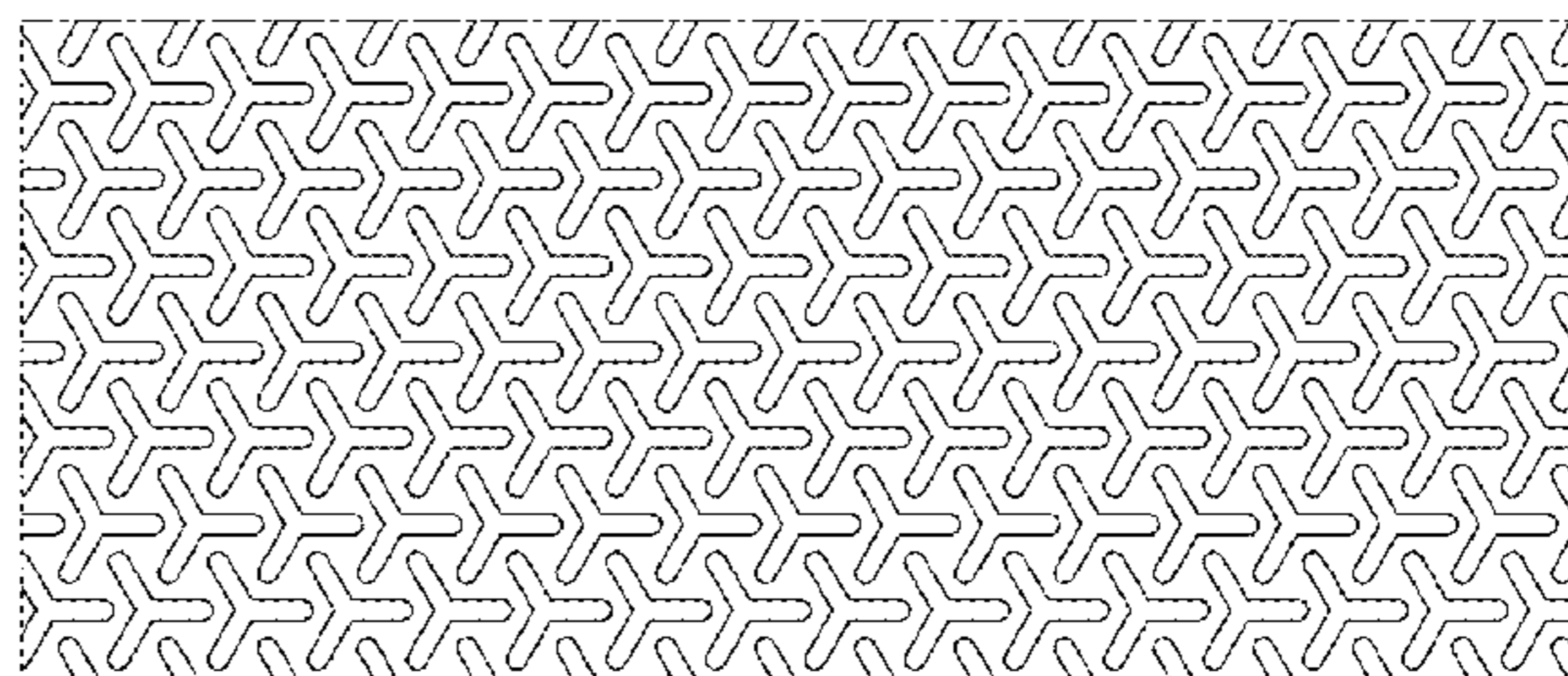
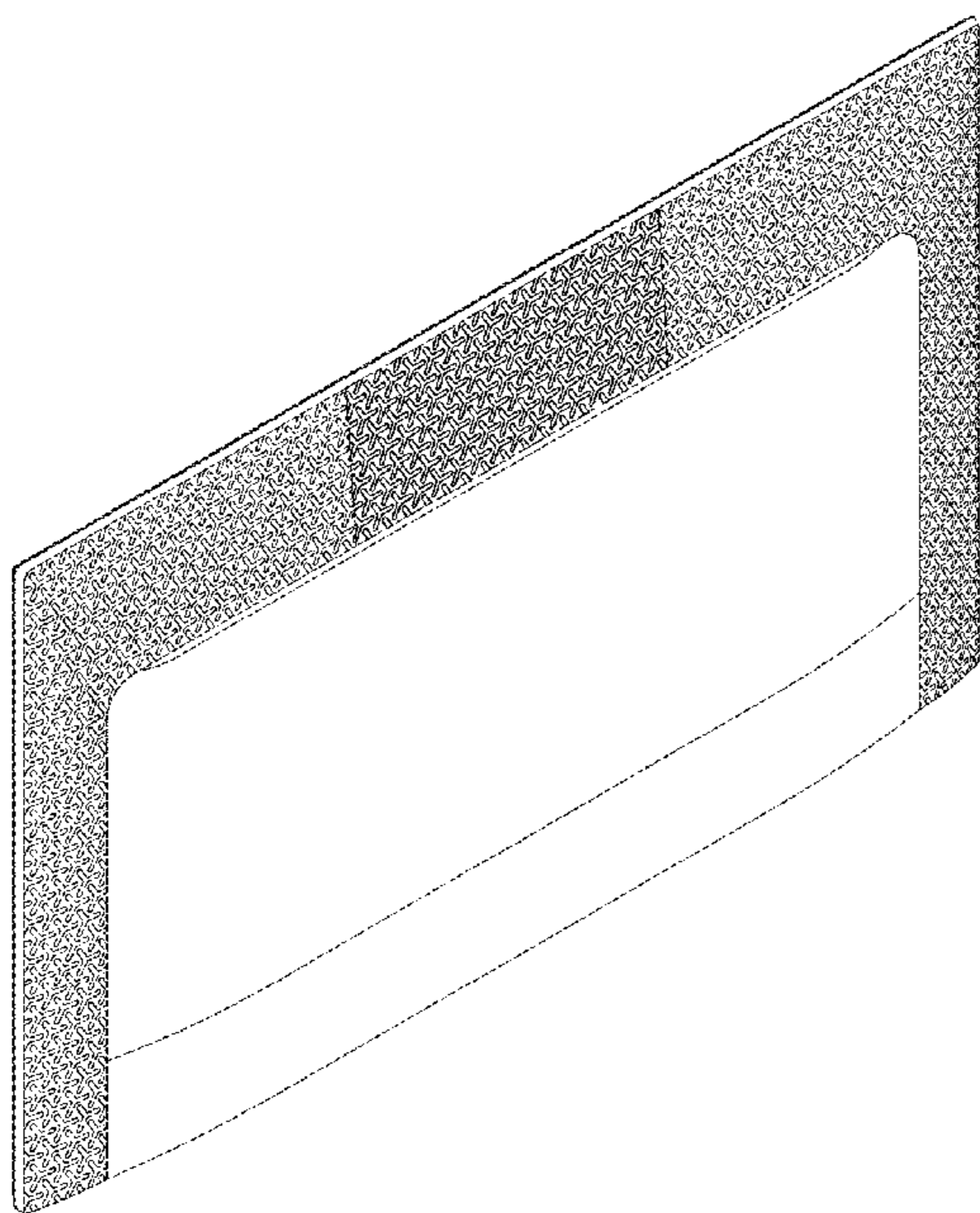


FIG. 1

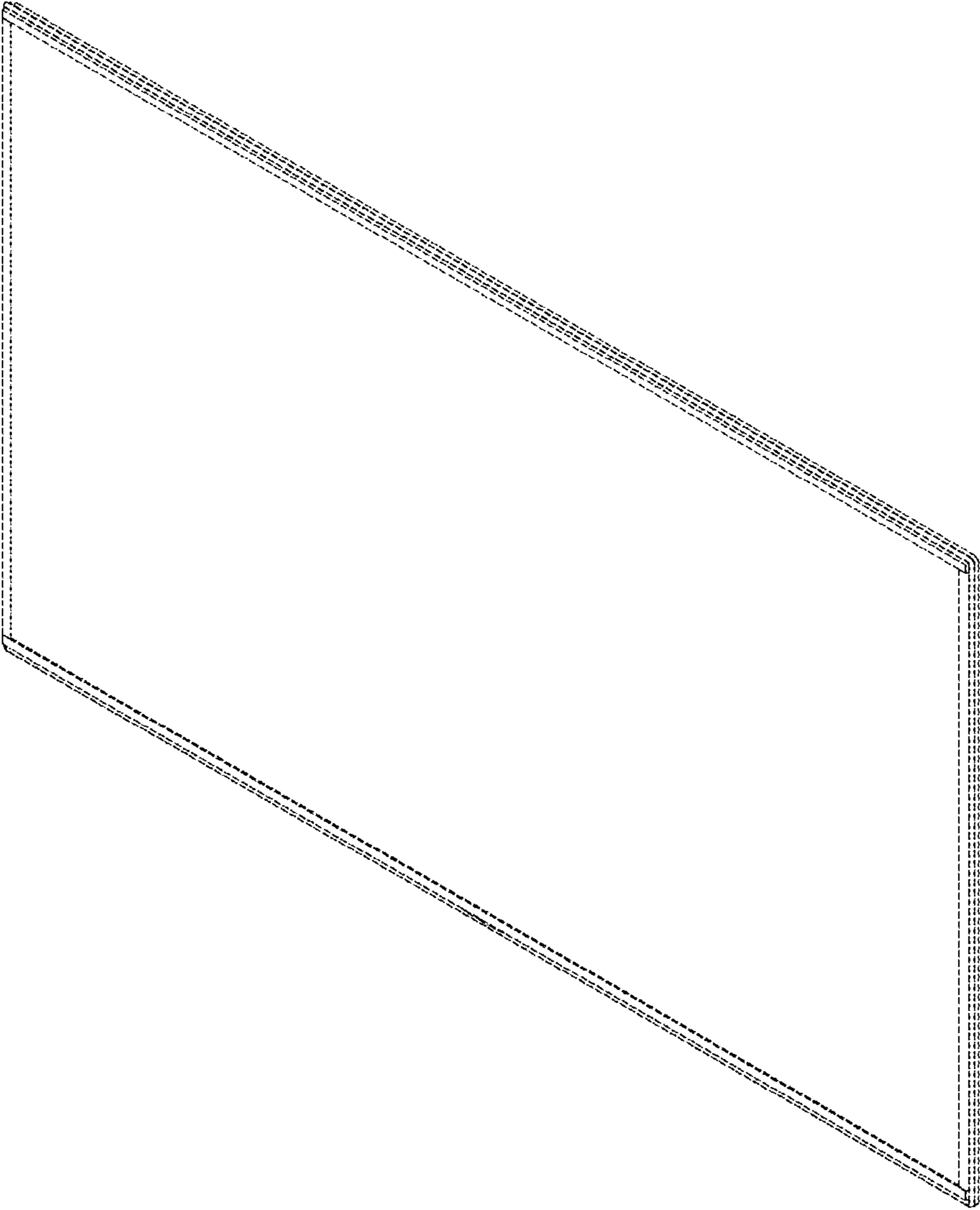


FIG. 2

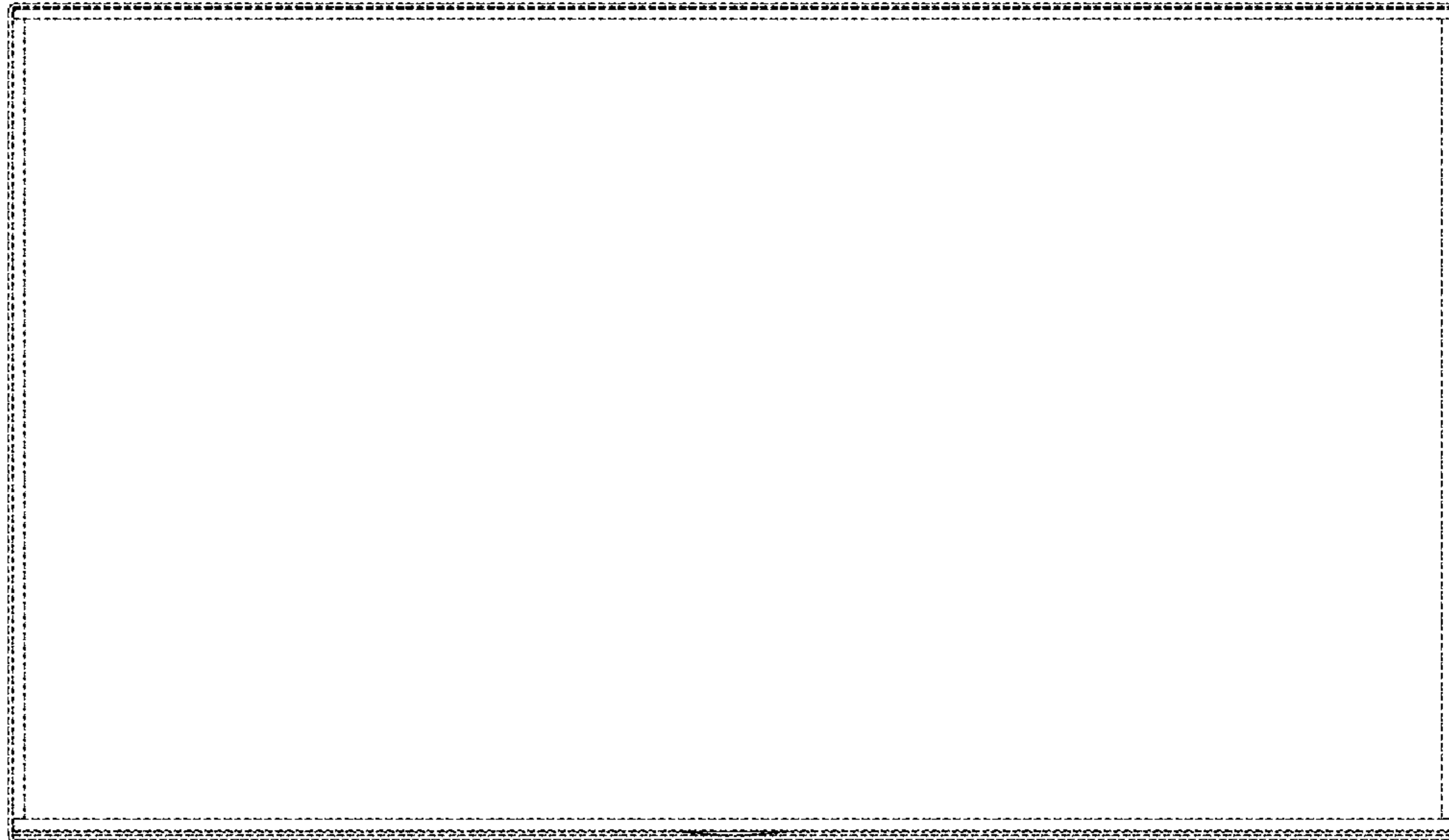


FIG. 3

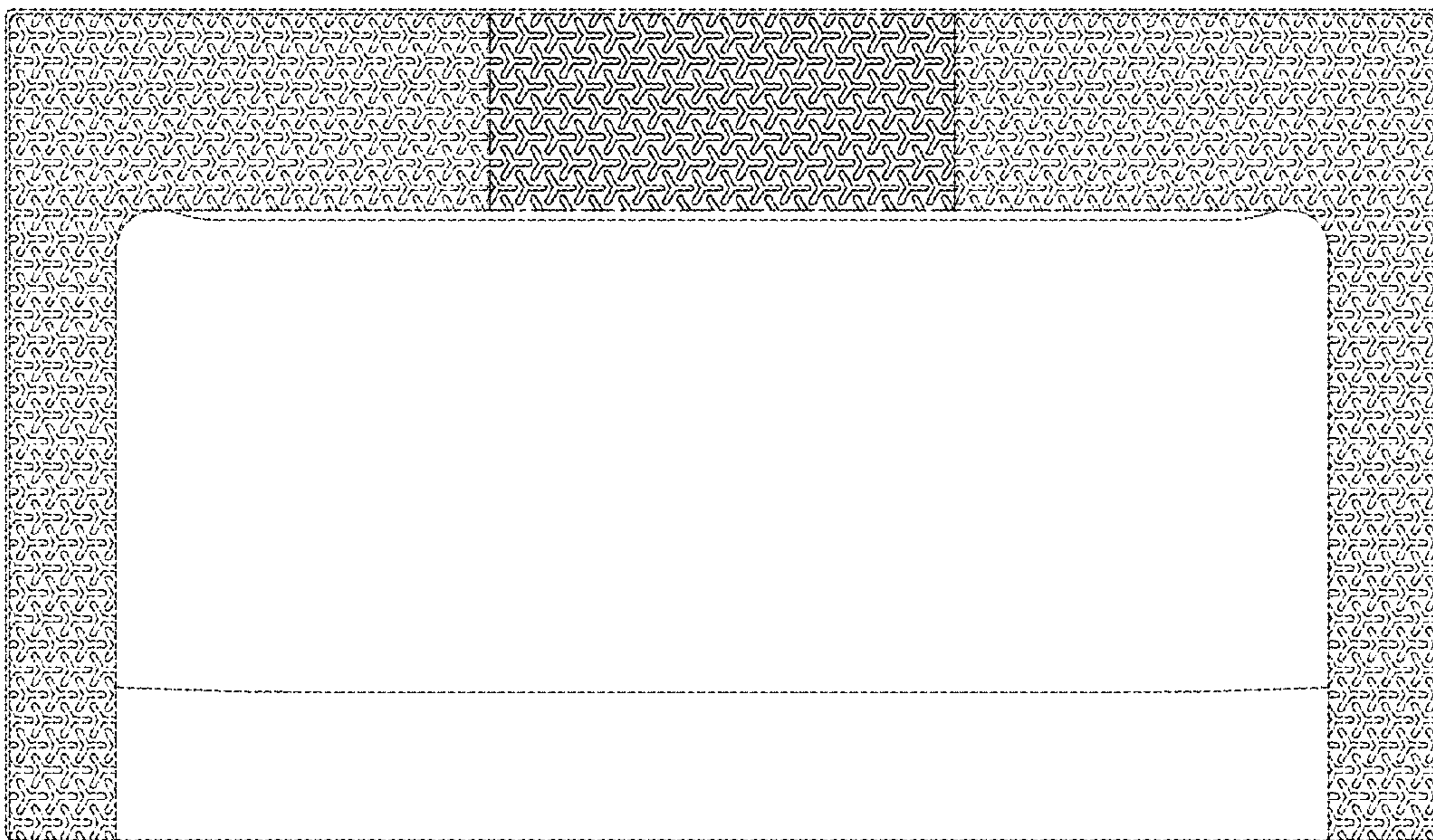


FIG. 4



FIG. 5



FIG. 6

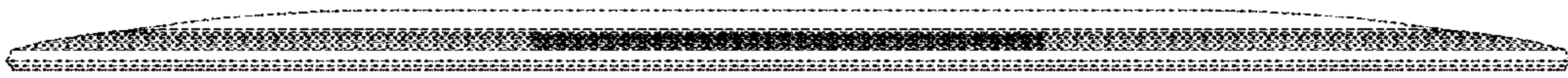


FIG. 7

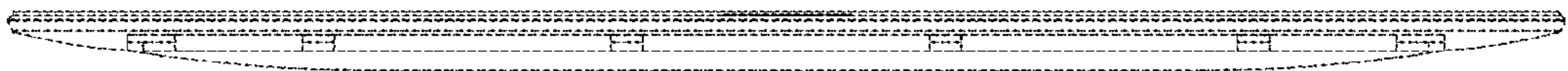


FIG. 8

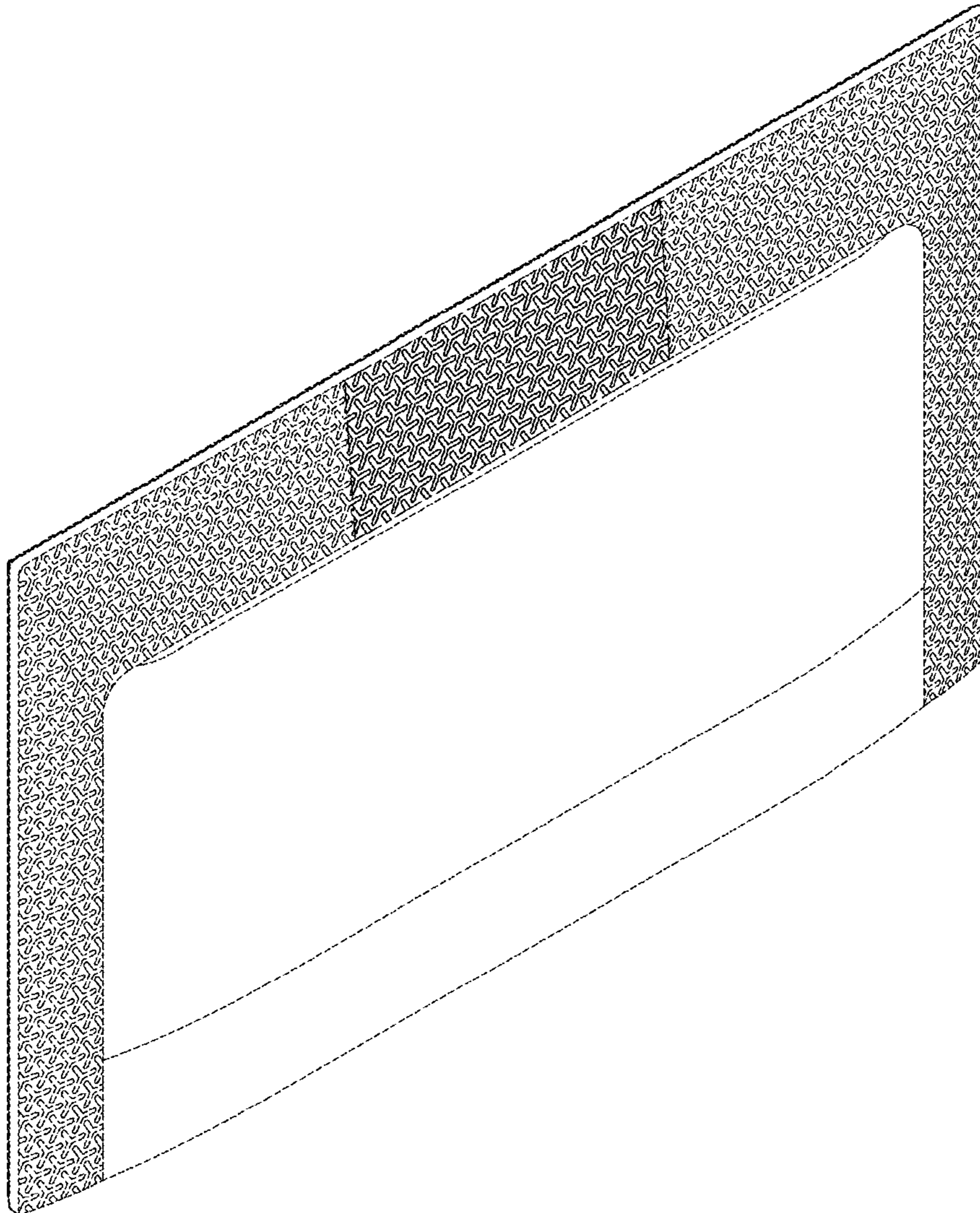


FIG. 9

