



US00D769203S

(12) **United States Design Patent**
Ann et al.

(10) **Patent No.:** **US D769,203 S**

(45) **Date of Patent:** **** Oct. 18, 2016**

(54) **TV RECEIVER**

(71) Applicant: **SAMSUNG ELECTRONICS CO., LTD.**, Suwon-si (KR)

(72) Inventors: **Sungjin Ann**, Seoul (KR); **Diana Minsun Kang**, Seoul (KR)

(73) Assignee: **SAMSUNG ELECTRONICS CO., LTD.** (KR)

(**) Term: **14 Years**

(21) Appl. No.: **29/499,984**

(22) Filed: **Aug. 20, 2014**

(30) **Foreign Application Priority Data**

Mar. 10, 2014 (KR) 30-2014-0011990

(51) **LOC (10) Cl.** **14-03**

(52) **U.S. Cl.**
USPC **D14/126**

(58) **Field of Classification Search**

USPC D14/125-134, 239, 371, 136, 374-377, D14/440, 450, 448, 336, 342, 159; 312/7.2; 348/836, 838, 180, 184, 325, 739; 248/917-924, 465; 345/104, 133, 156, 345/168, 87, 173; D21/329, 515, 577, 622, D21/333, 433, 448, 452, 450, 331, 505; D10/15, 26; 446/484, 175, 356; D6/477, 479, 300; D20/10, 19, 39
CPC . G06F 1/1601; G06F 1/1643; H05K 5/0004; H05K 5/0017; H05K 5/02; H05K 5/0217; H04N 13/0459

See application file for complete search history.

(56) **References Cited**

U.S. PATENT DOCUMENTS

D542,747 S * 5/2007 Kim D14/126
D563,913 S * 3/2008 Sonoda D14/126

D568,842 S * 5/2008 Iijima D14/126
D573,560 S * 7/2008 Niitsu D14/126
D629,769 S * 12/2010 Zhong D14/126
D714,746 S * 10/2014 Euseok D14/126
D753,618 S * 4/2016 Ryu D14/126

* cited by examiner

Primary Examiner — Raphael Barkai

(74) *Attorney, Agent, or Firm* — Cantor Colburn LLP

(57) **CLAIM**

The ornamental design for a TV receiver, as shown and described.

DESCRIPTION

FIG. 1 is a perspective view of a TV receiver showing our new design;

FIG. 2 is a front elevation view thereof;

FIG. 3 is a rear elevation view thereof;

FIG. 4 is a side elevation view thereof;

FIG. 5 is another side elevation view thereof;

FIG. 6 is a top plan view thereof;

FIG. 7 is a bottom plan view thereof;

FIG. 8 is an enlarged view of the encircled portion of FIG. 1;

FIG. 9 is an enlarged view of the encircled portion of FIG. 2;

FIG. 10 is a partial cross-sectional view taken along line 10-10 of the encircled portion of FIG. 2; and,

FIG. 11 is a partial cross-sectional view taken along line 11-11 of the encircled portion of FIG. 2.

The broken lines in the figures show portions of the TV receiver which form no part of the claimed design.

The dot dash lines in the figures represent an unclaimed boundary line and form no part of the claimed design.

The dot-dot-dash broken lines encircling portions of the claimed design that are illustrated in enlargements form no part of the claimed design.

1 Claim, 11 Drawing Sheets

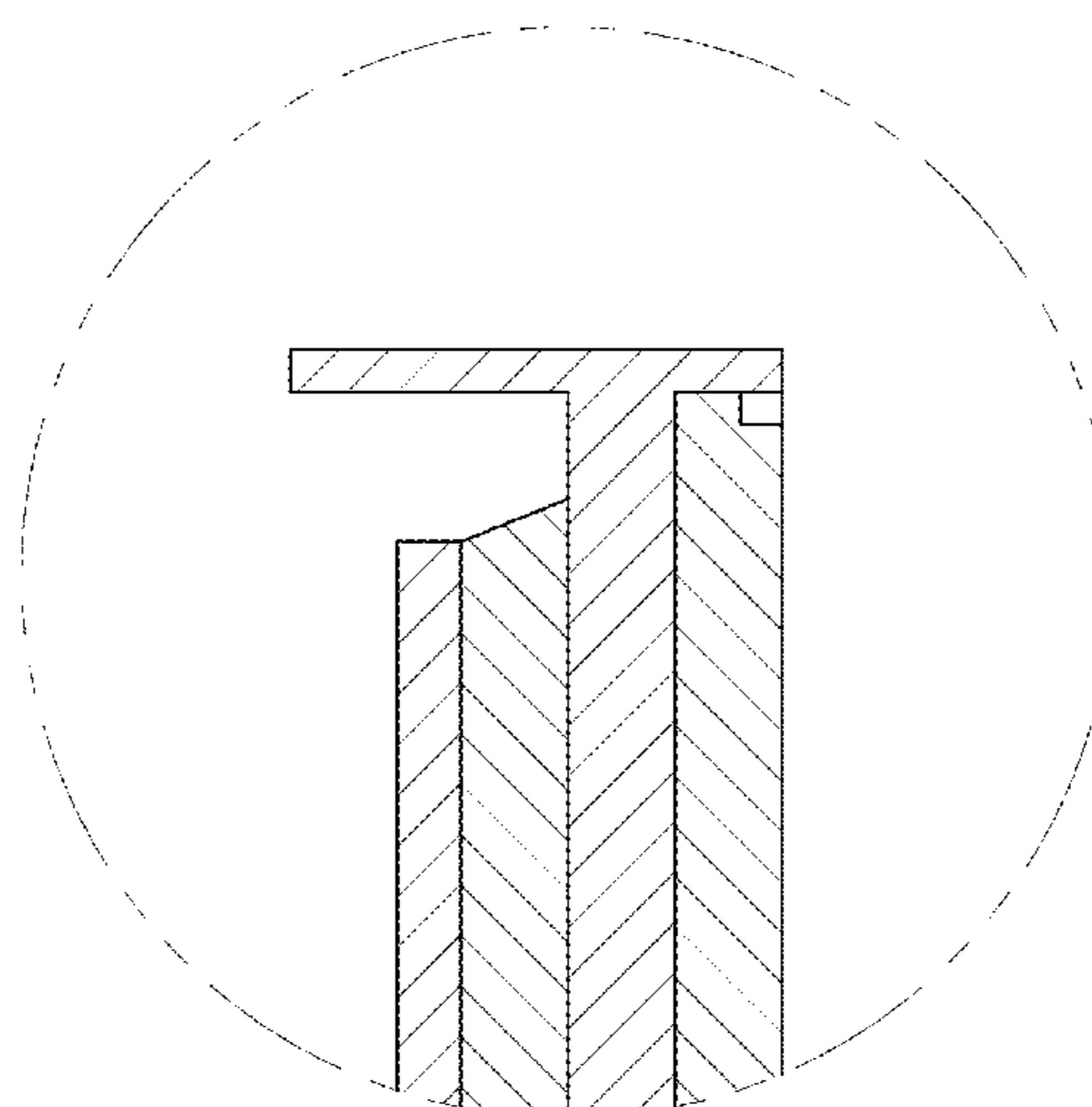
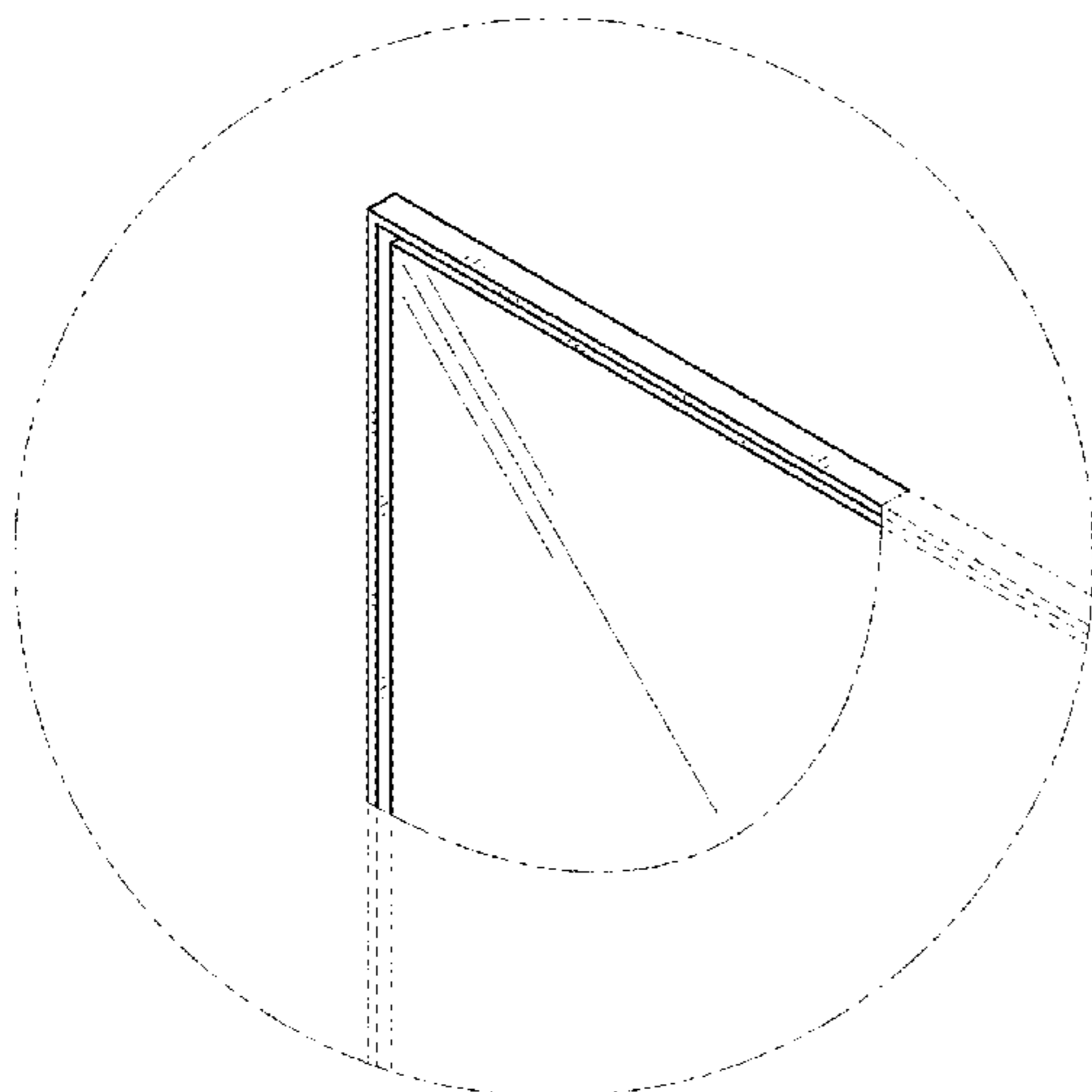
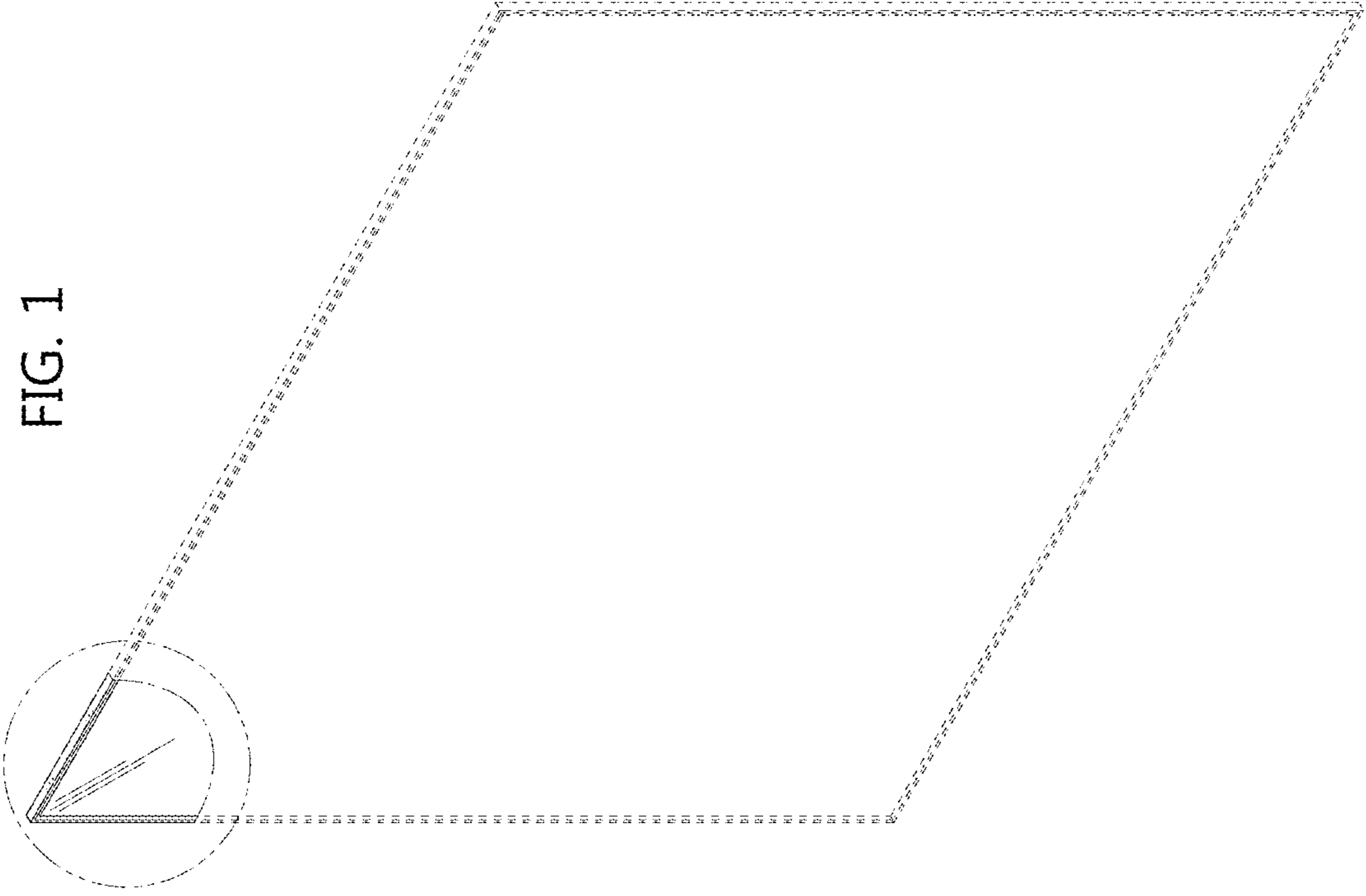


FIG. 1



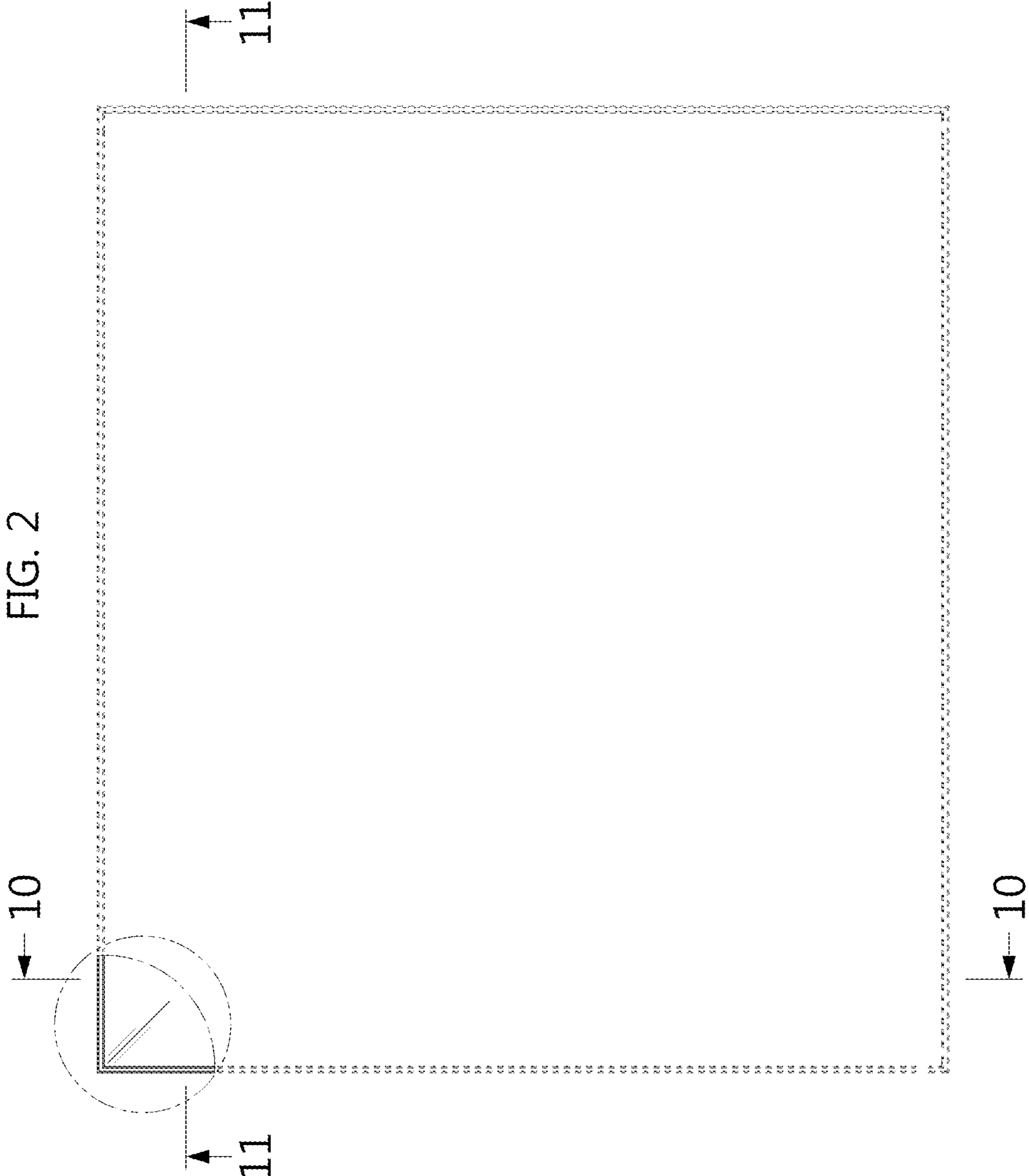


FIG. 3

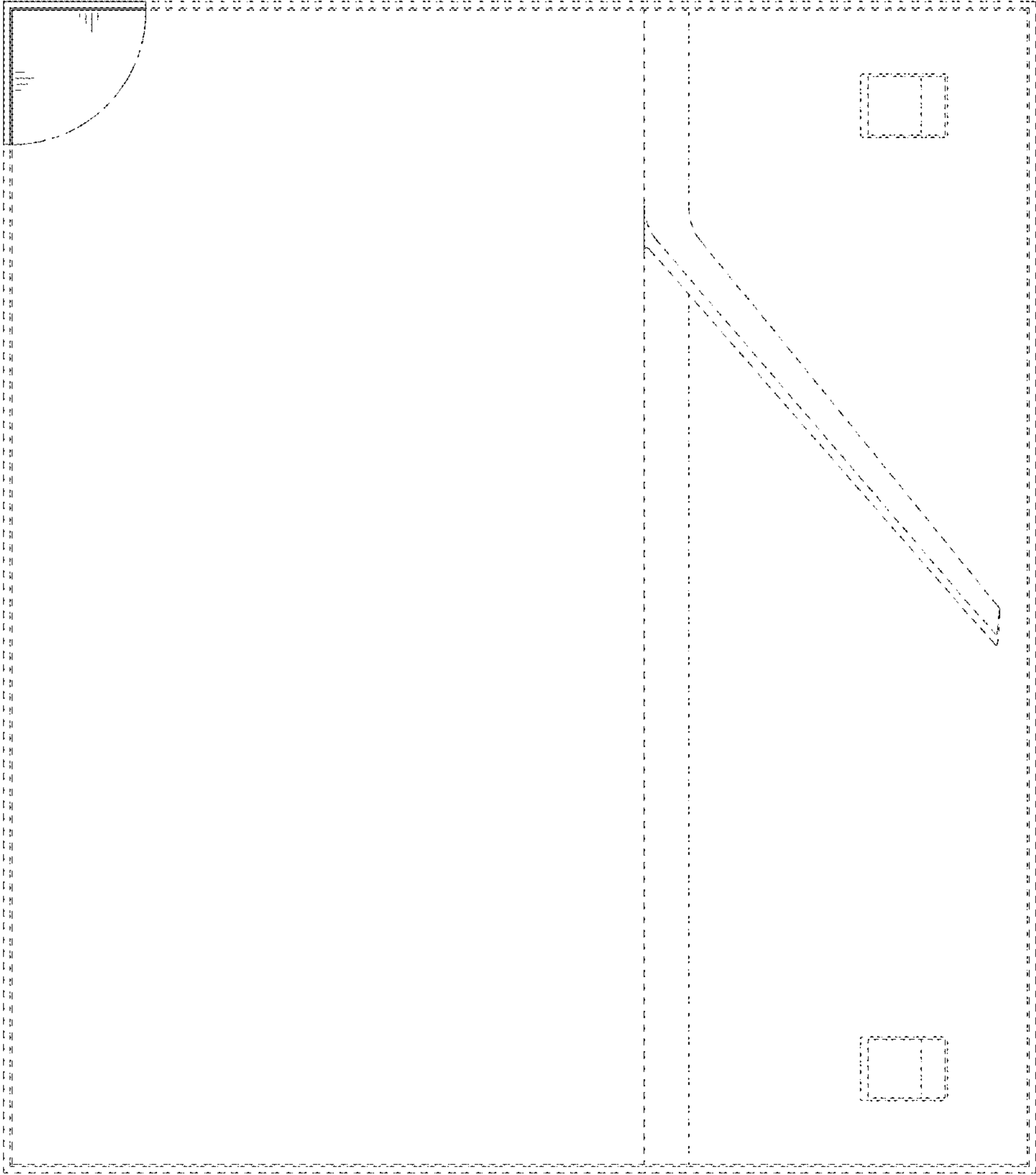


FIG. 4

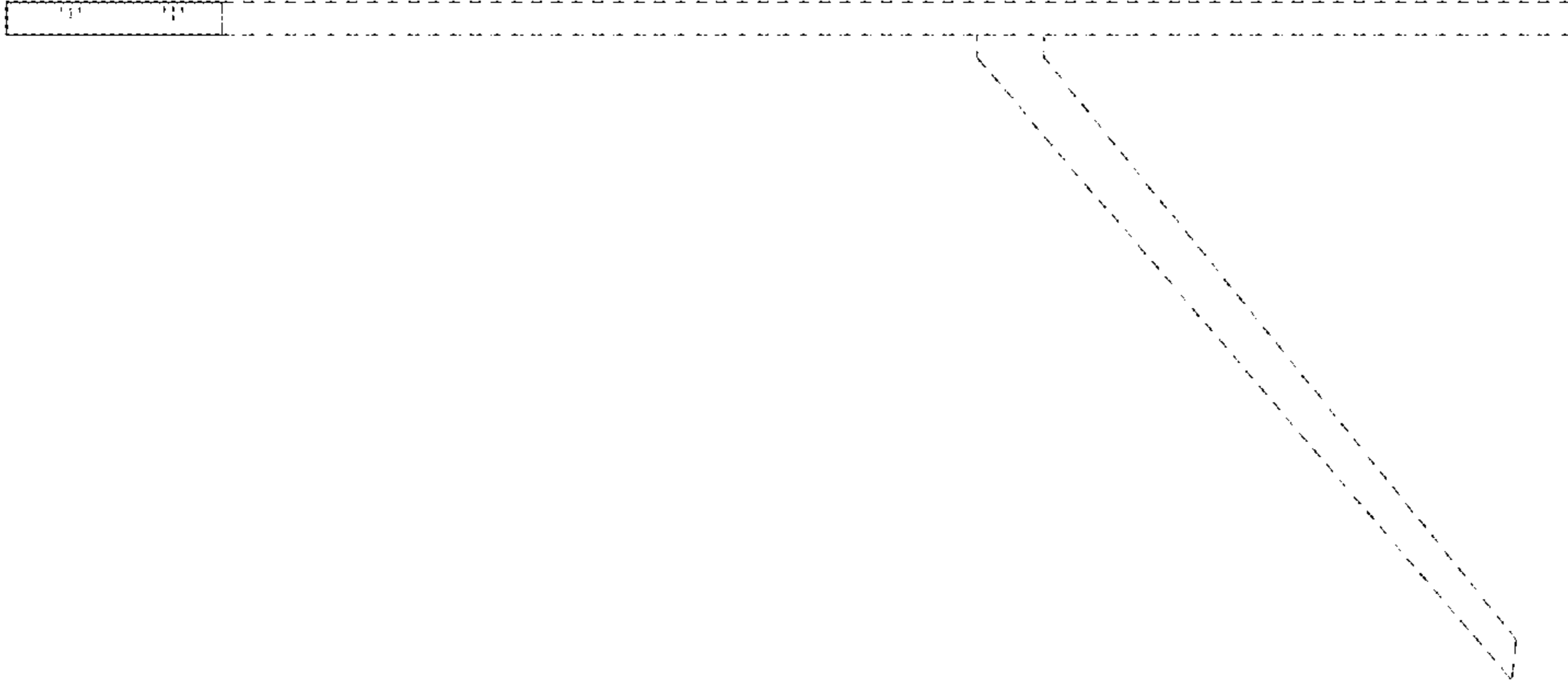


FIG. 5

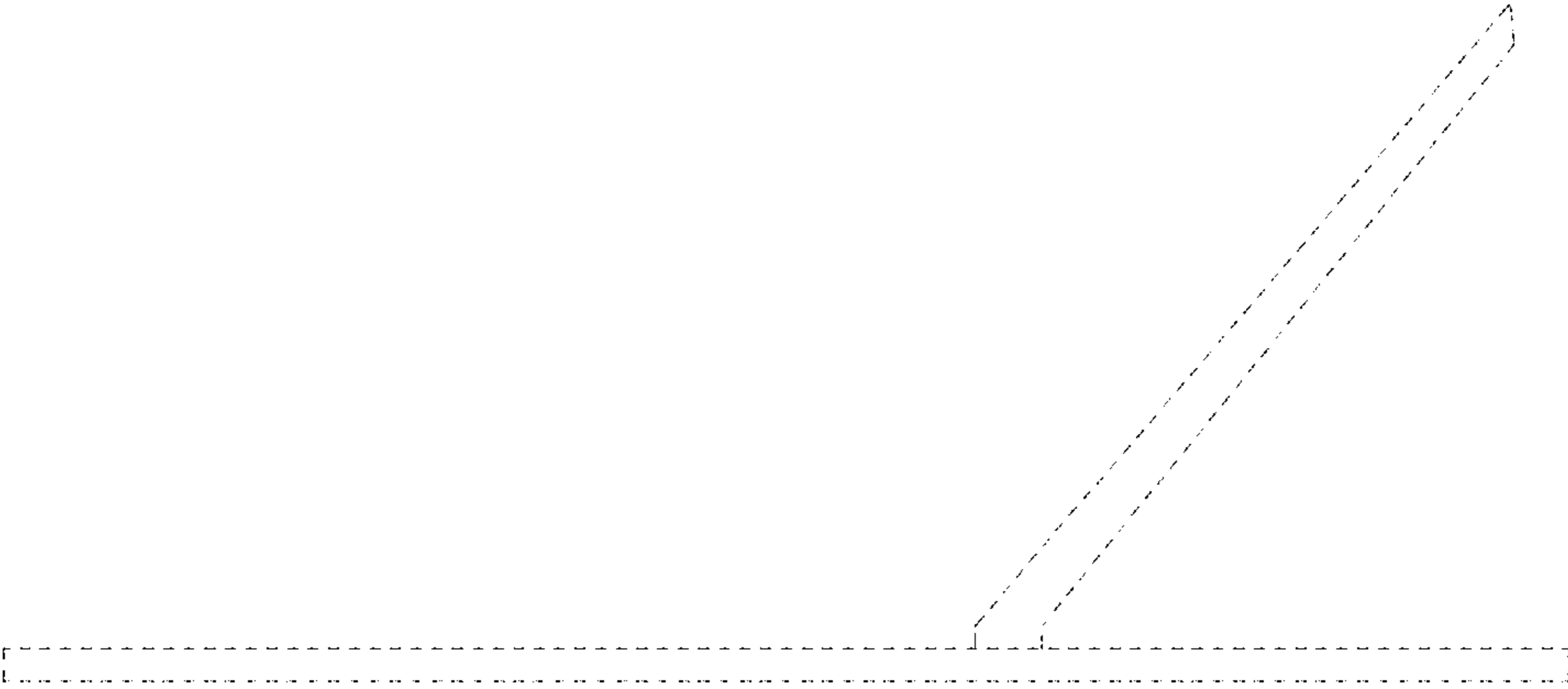


FIG. 6

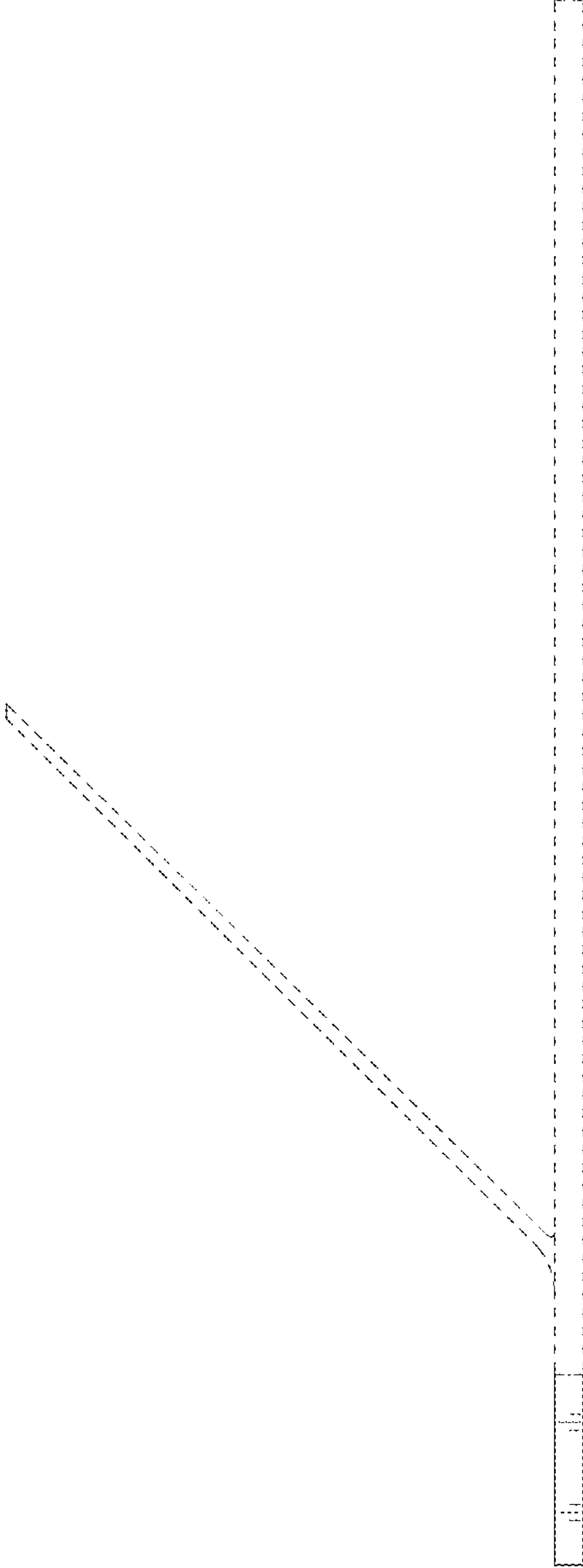


FIG. 7

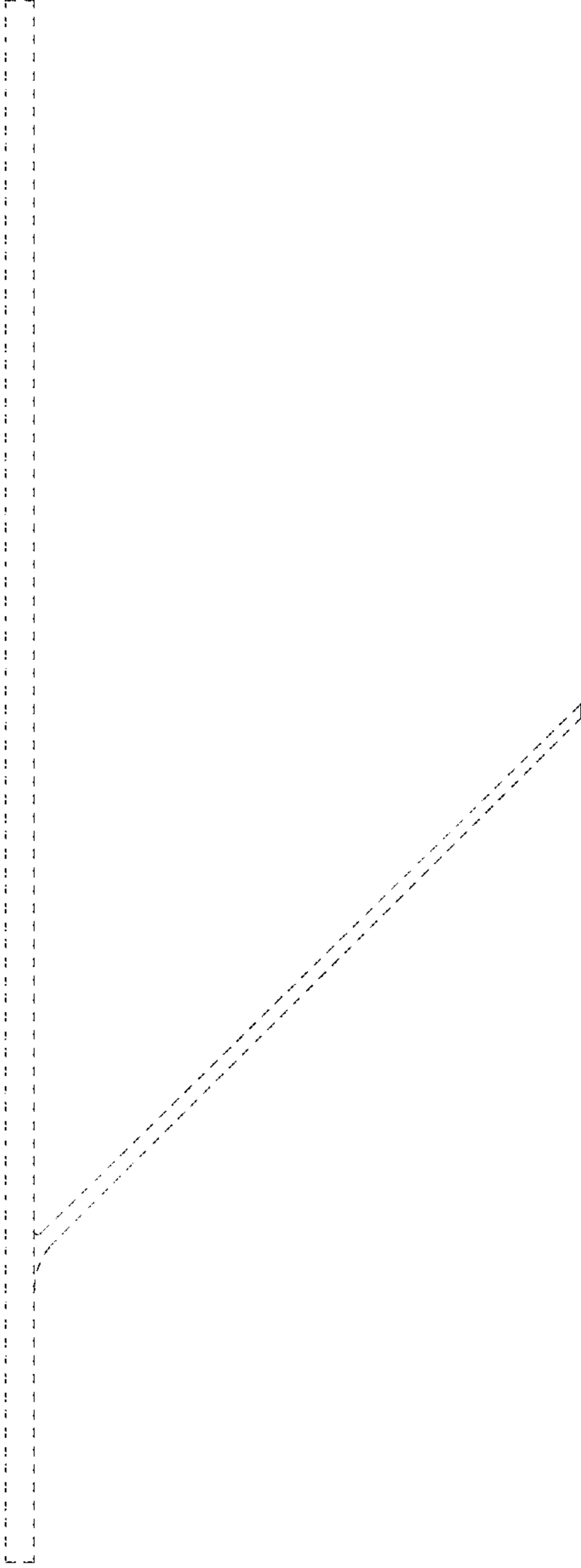


FIG. 8

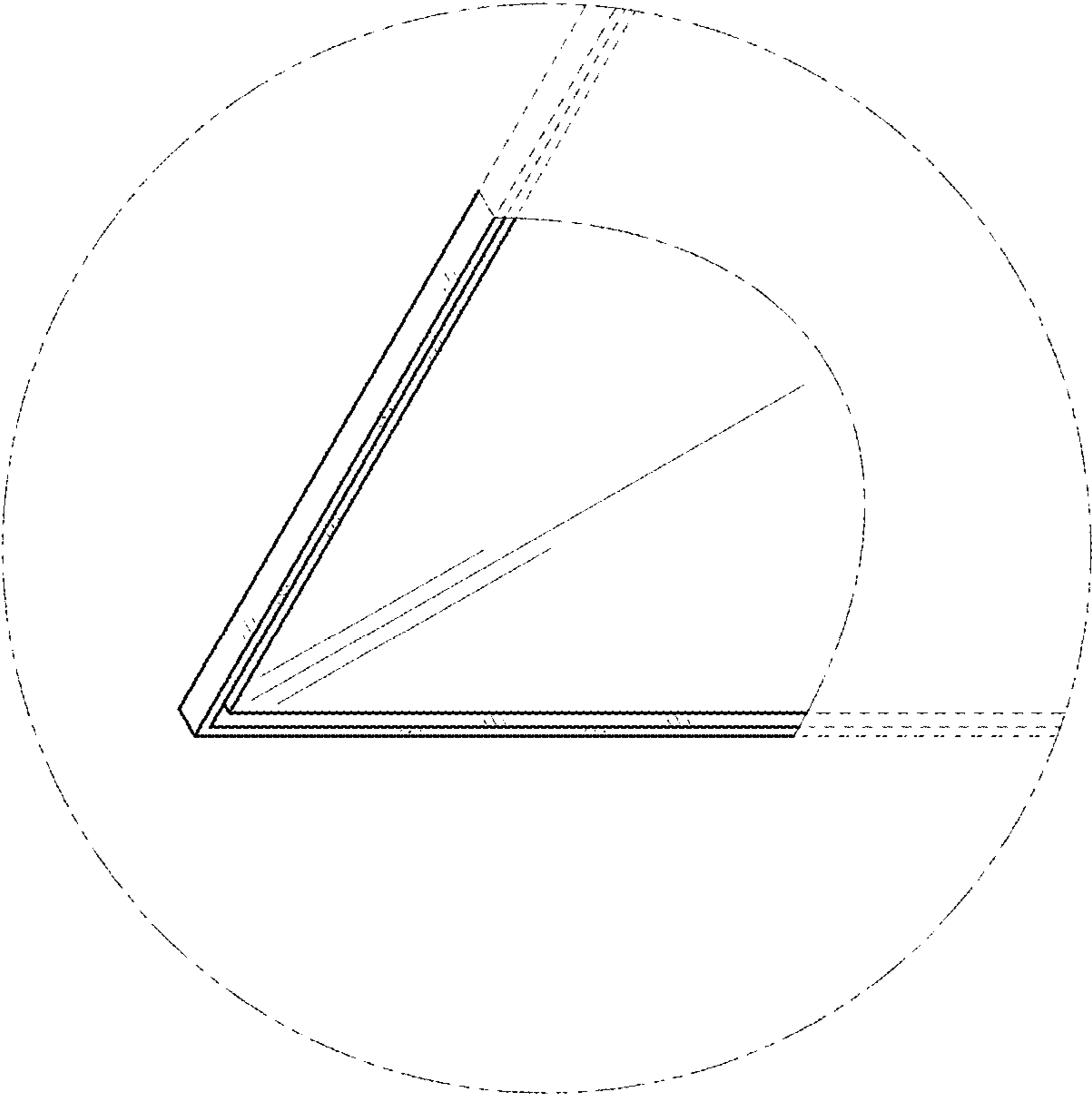


FIG. 9

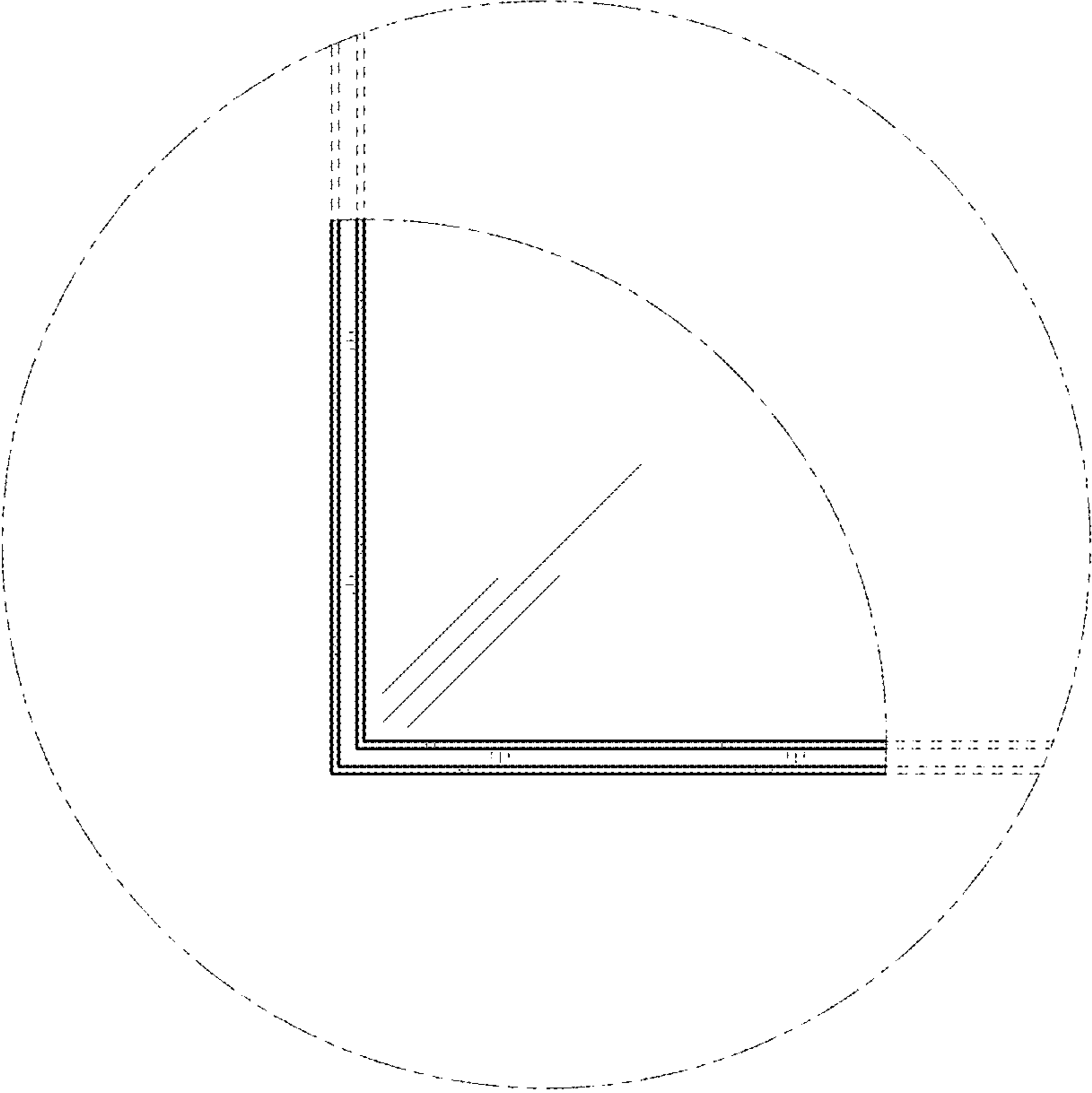


FIG. 10

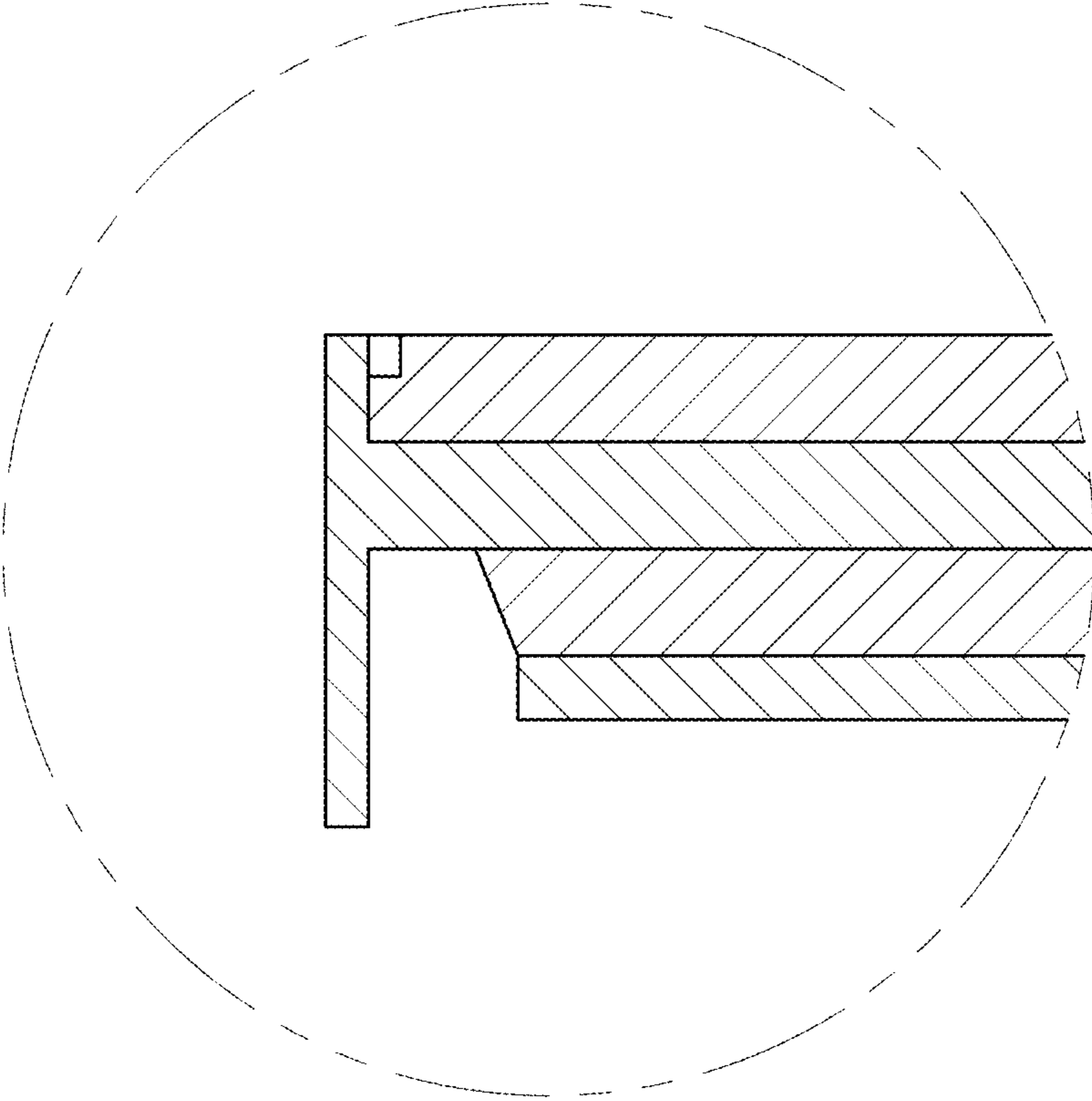


FIG. 11

