



US00D769201S

(12) **United States Design Patent**
Kusakabe et al.

(10) **Patent No.:** **US D769,201 S**

(45) **Date of Patent:** **** Oct. 18, 2016**

- (54) **WAFER BOAT**
- (71) Applicant: **Tokyo Electron Limited**, Tokyo (JP)
- (72) Inventors: **Yoshinori Kusakabe**, Iwate (JP);
Masami Oikawa, Iwate (JP)
- (73) Assignee: **Tokyo Electron Limited**, Tokyo (JP)
- (**) Term: **14 Years**
- (21) Appl. No.: **29/525,566**
- (22) Filed: **Apr. 30, 2015**

(30) **Foreign Application Priority Data**

Nov. 20, 2014 (JP) 2014-025970

(51) **LOC (10) Cl.** **13-03**

(52) **U.S. Cl.**
USPC **D13/182**

(58) **Field of Classification Search**
USPC D13/182; D15/144, 144.1, 199;
118/715, 500, 728, 729; 211/41.18;
432/253, 258; 156/345.51, 345.52,
156/345.53, 345.55; 414/217, 220.01,
414/935-941

CPC C23C 16/458; C23C 16/4581; C23C
16/4582; C23C 16/4583; C23C 16/4584;
C23C 16/4586; C23C 16/4587; C23C
16/4588; C30B 31/14; H01L 21/673; H01L
21/67303; H01L 21/67306; H01L 21/67309;
H01L 21/67313; H01L 21/67316; H01L
21/67323; H01L 21/67326; H01L 21/6733

See application file for complete search history.

(56) **References Cited**

U.S. PATENT DOCUMENTS

- D361,752 S * 8/1995 Yamaga D13/182
- D366,868 S * 2/1996 Ohsawa D13/182
- D378,675 S * 4/1997 Iwai D13/182
- D378,823 S * 4/1997 Watanabe D13/182
- D380,454 S * 7/1997 Iwai D13/182

- 5,752,609 A * 5/1998 Kato H01L 21/67309
118/500
- D404,015 S * 1/1999 Honma D13/182
- D404,371 S * 1/1999 Shimazu D13/182
- 5,897,311 A * 4/1999 Nishi C23C 16/4583
432/239
- D409,158 S * 5/1999 Shimazu 206/832
- D411,176 S * 6/1999 Shimazu D13/182
- 6,062,853 A * 5/2000 Shimazu H01L 21/6875
211/41.18
- 6,065,615 A * 5/2000 Uchiyama H01L 21/67306
118/500
- 6,099,302 A * 8/2000 Hong C30B 25/12
211/41.18

(Continued)

OTHER PUBLICATIONS

U.S. Appl. No. 29/525,559, filed Apr. 30, 2015, Tokyo Electron Limited.

(Continued)

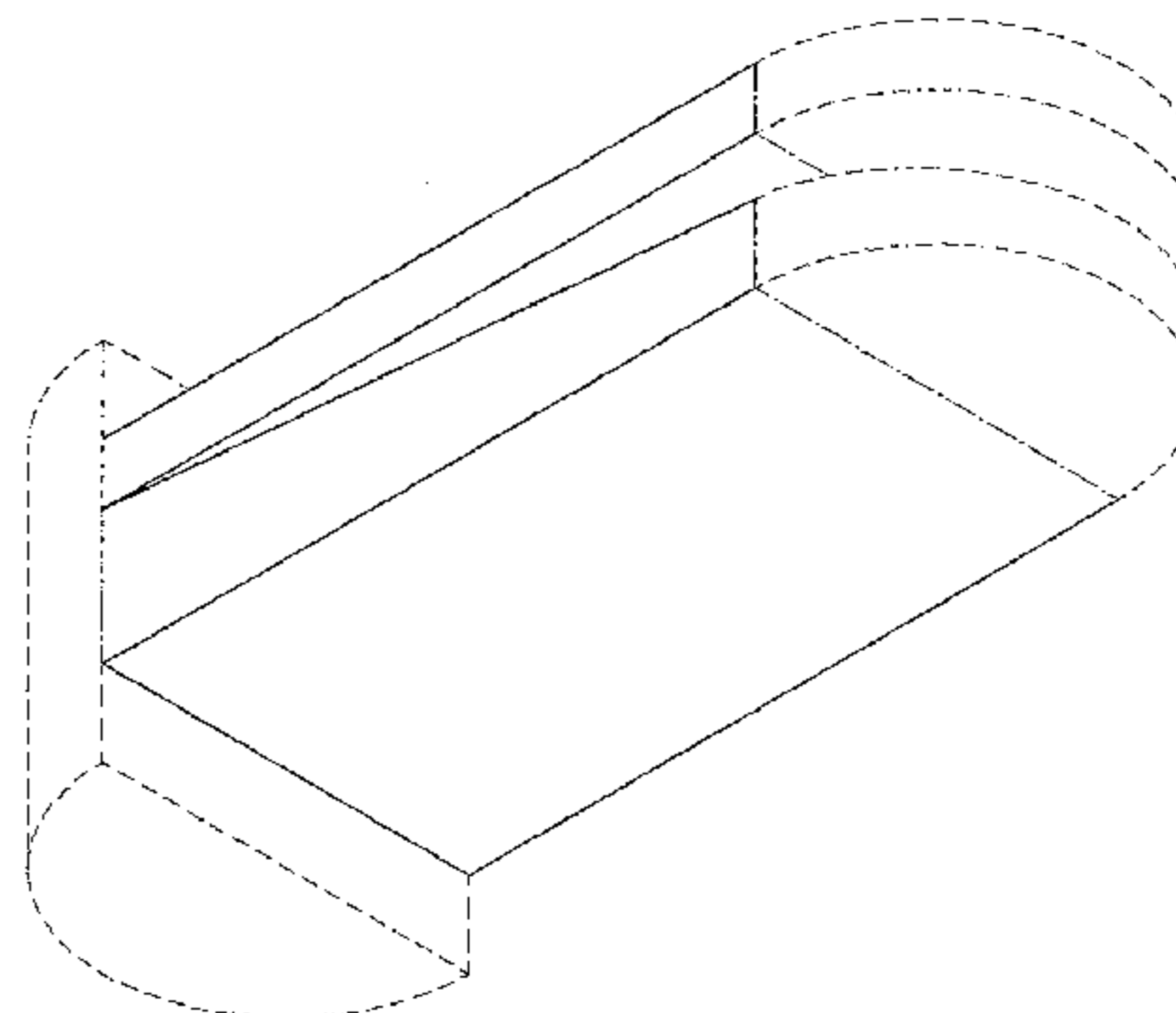
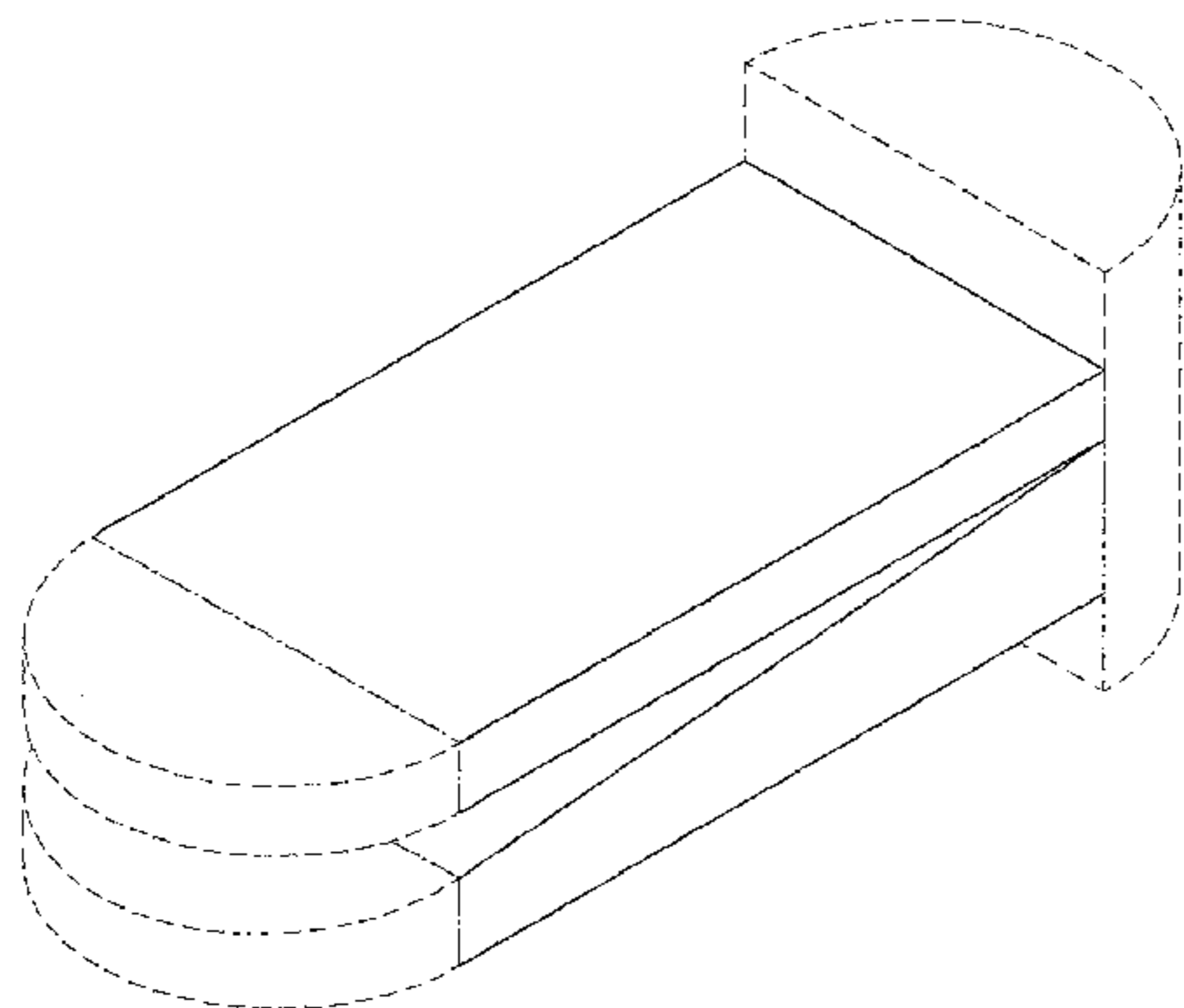
Primary Examiner — Elizabeth J Oswecki
(74) *Attorney, Agent, or Firm* — IPUSA, PLLC

(57) **CLAIM**
The ornamental design for a wafer boat, as shown and described.

DESCRIPTION

FIG. 1 is a front, top, left side perspective view of a wafer boat, showing our new design;
 FIG. 2 is an enlarged portion view taken along line 2-2 in FIG. 1;
 FIG. 3 is an enlarged portion view taken along line 3-3 in FIG. 1;
 FIG. 4 is a right side view of FIG. 1; the left side view being a mirror image;
 FIG. 5 is an enlarged portion view taken along line 5-5 in FIG. 4;
 FIG. 6 is a top plan view of FIG. 2; and,
 FIG. 7 is a bottom plan view of FIG. 2.
 The broken lines shown in the drawings represent portions of the wafer boat that form no part of the claimed design. All sides not shown form no part of the claimed design.

1 Claim, 4 Drawing Sheets



(56)

References Cited

U.S. PATENT DOCUMENTS

6,099,645 A * 8/2000 Easley C30B 31/14
118/500
6,287,112 B1 * 9/2001 Van Voorst
Vader H01L 21/67309
118/728
6,341,935 B1 * 1/2002 Tseng H01L 21/67303
118/500
D570,308 S * 6/2008 Sato D13/182
D570,309 S * 6/2008 Sato D13/182
D580,894 S * 11/2008 Sato D13/182
7,484,958 B2 * 2/2009 Kobayashi H01L 21/67309
211/41.18
D600,221 S * 9/2009 Sato D13/182
D600,222 S * 9/2009 Sato D13/182
D616,394 S * 5/2010 Sato D13/182
D616,395 S * 5/2010 Sato D13/182
D655,255 S * 3/2012 Takebayashi D13/182
D655,682 S * 3/2012 Takebayashi D13/182
D737,785 S * 9/2015 Yoshida D13/182
D738,329 S * 9/2015 Yoshida D13/182
D739,831 S * 9/2015 Takagi D13/182

D740,769 S * 10/2015 Takagi D13/182
D747,279 S * 1/2016 Yoshida D13/182
2002/0092815 A1 * 7/2002 Kim C30B 31/14
211/41.18
2002/0113027 A1 * 8/2002 Minami H01L 21/67109
211/41.18
2002/0130061 A1 * 9/2002 Hengst C23C 16/325
206/710
2002/0187023 A1 * 12/2002 Araki C30B 31/14
414/160
2003/0024888 A1 * 2/2003 Payne H01L 21/67303
211/41.18
2005/0145584 A1 * 7/2005 Buckley H01L 21/67303
211/41.18

OTHER PUBLICATIONS

U.S. Appl. No. 29/525,561, filed Apr. 30, 2015, Tokyo Electron Limited.
U.S. Appl. No. 29/525,563, filed Apr. 30, 2015, Tokyo Electron Limited.

* cited by examiner

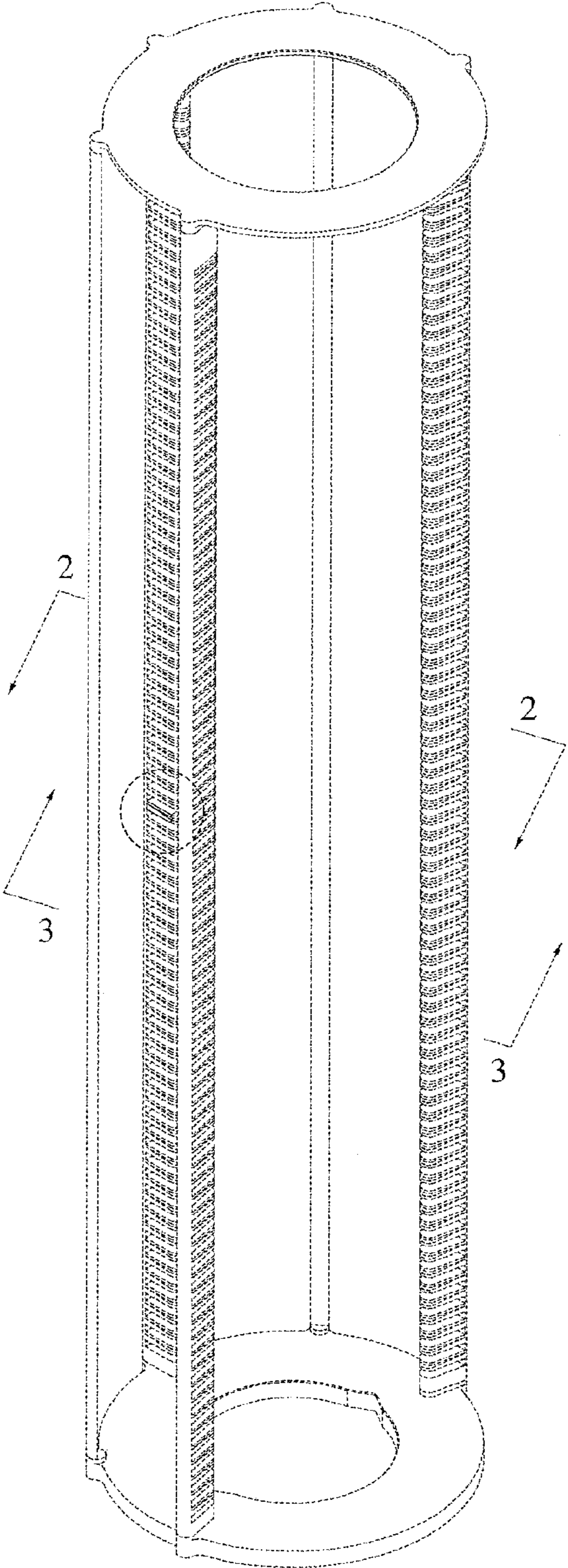


Fig. 1

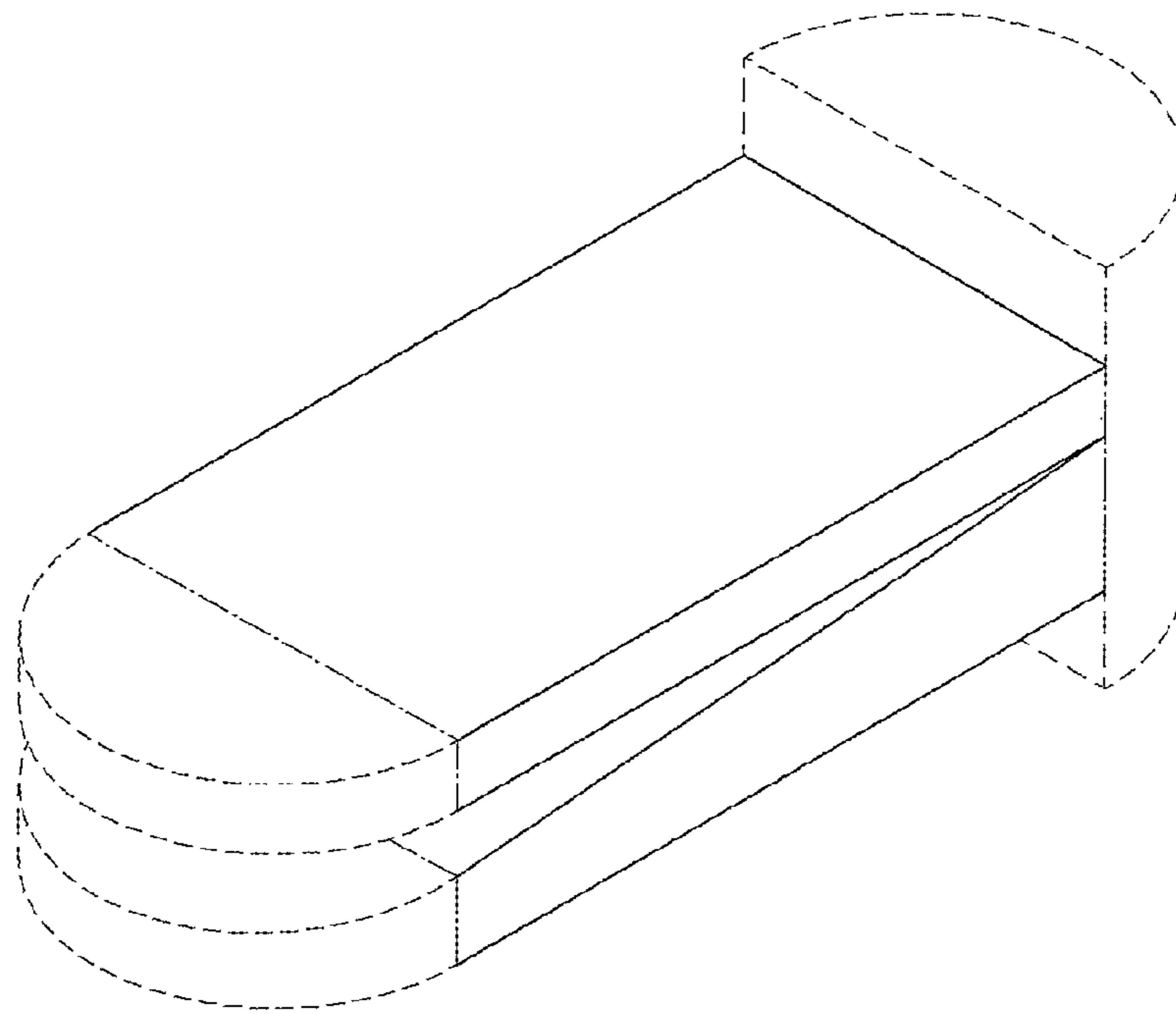


Fig. 2

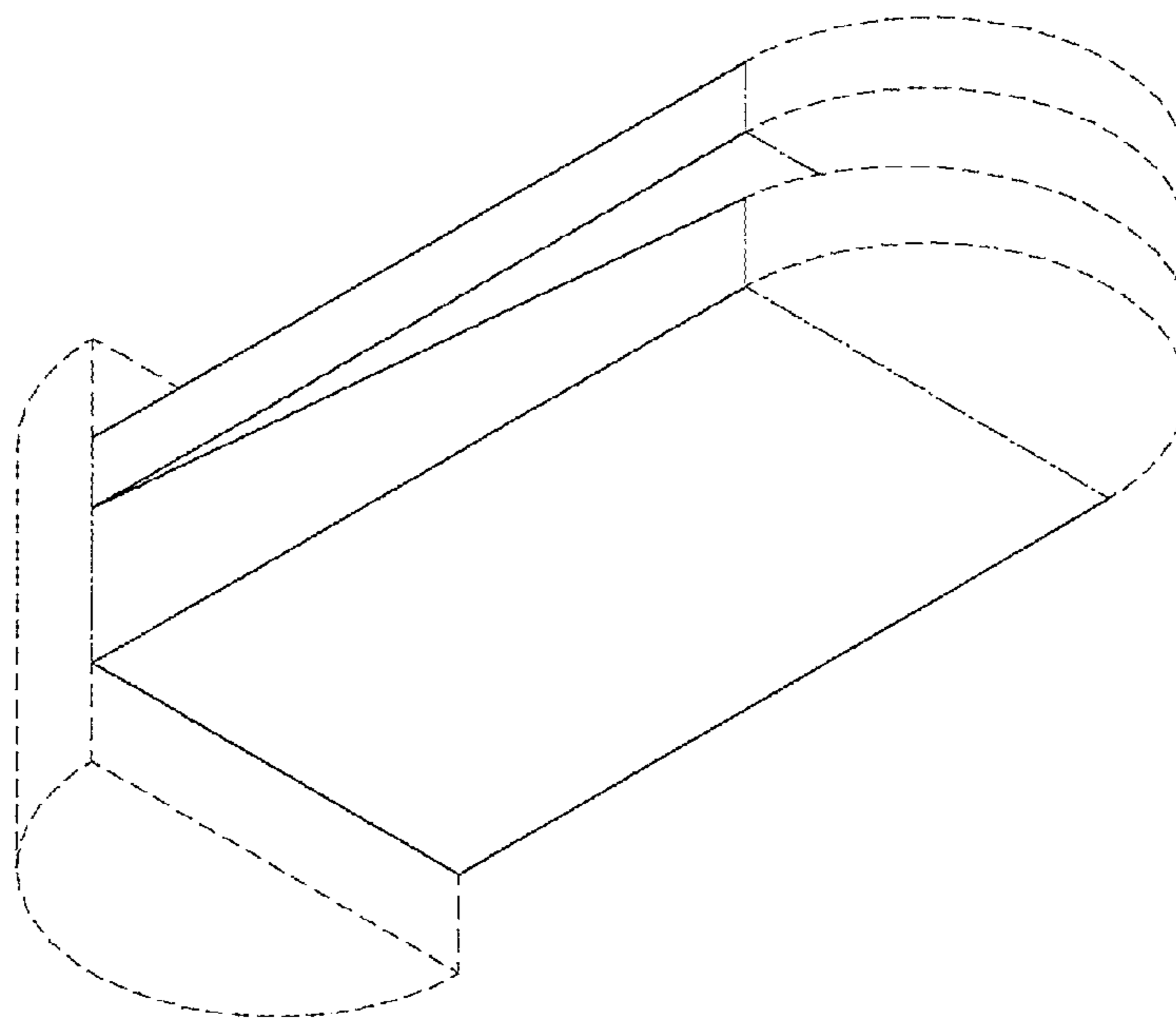


Fig. 3

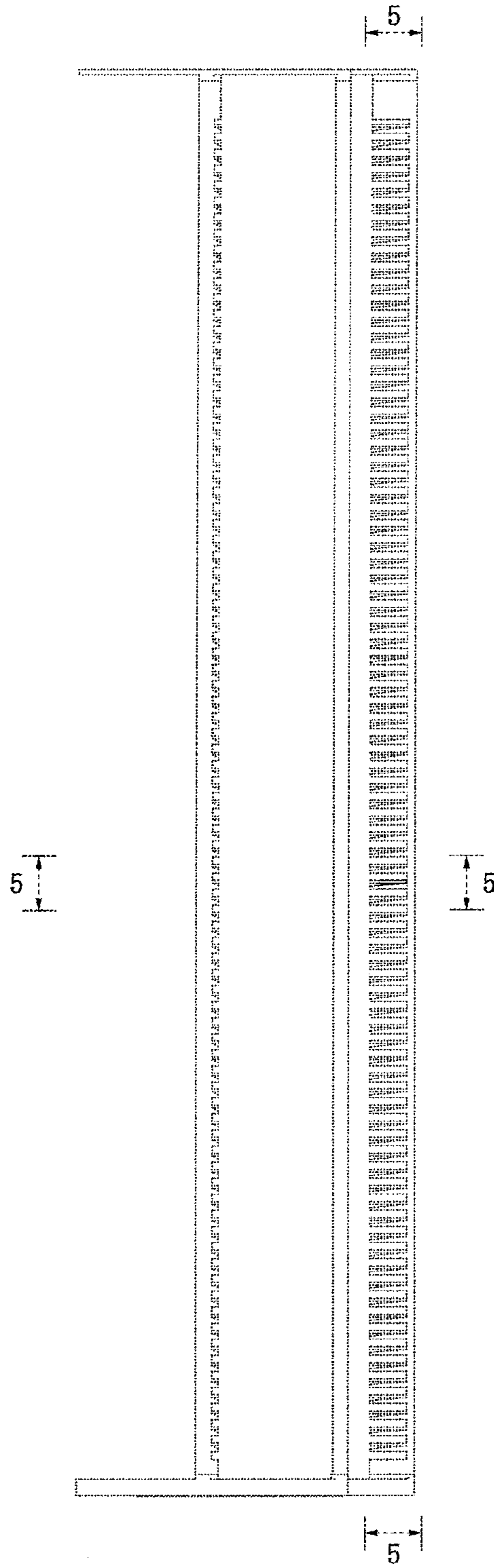


Fig. 4

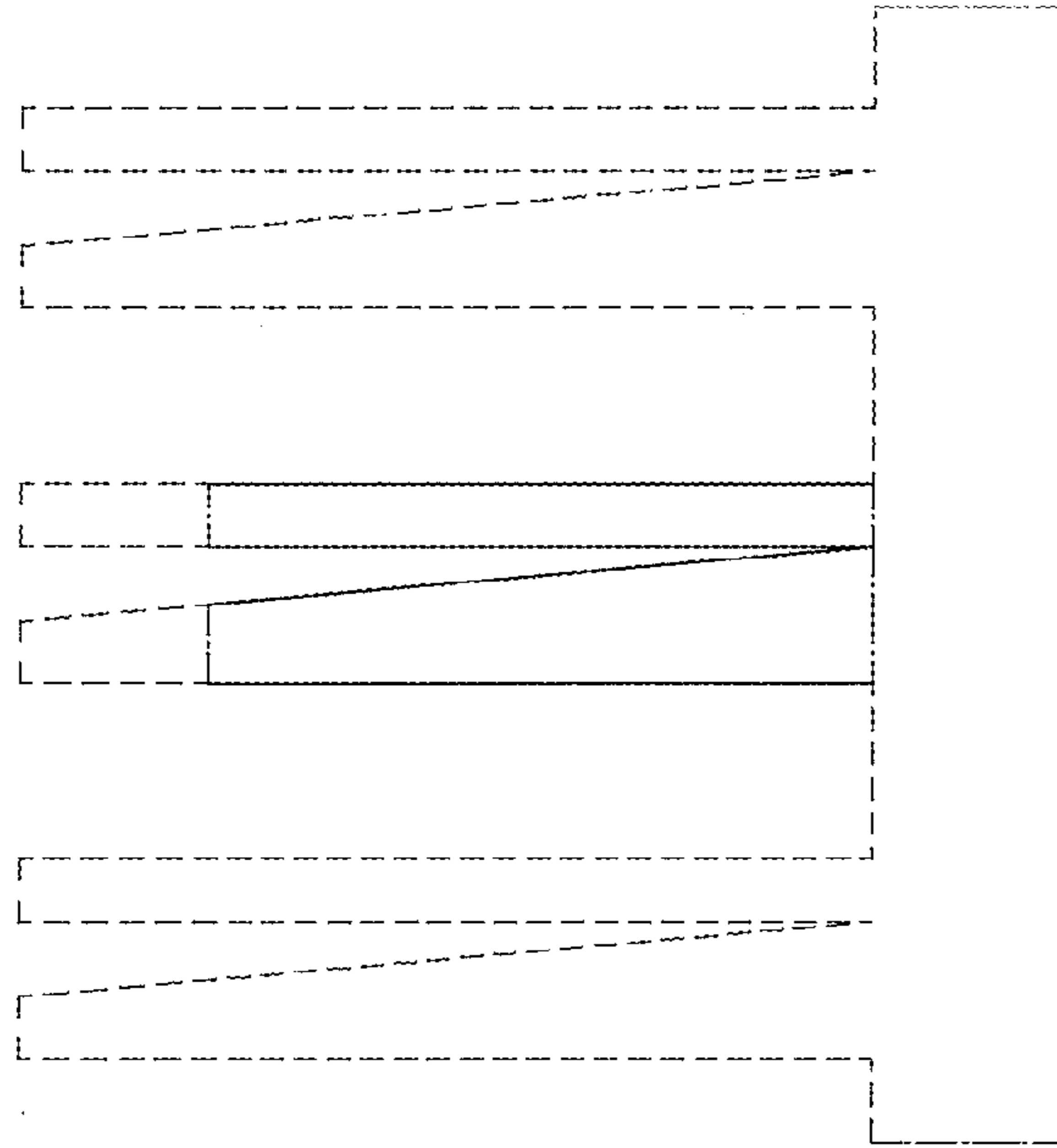


Fig. 5

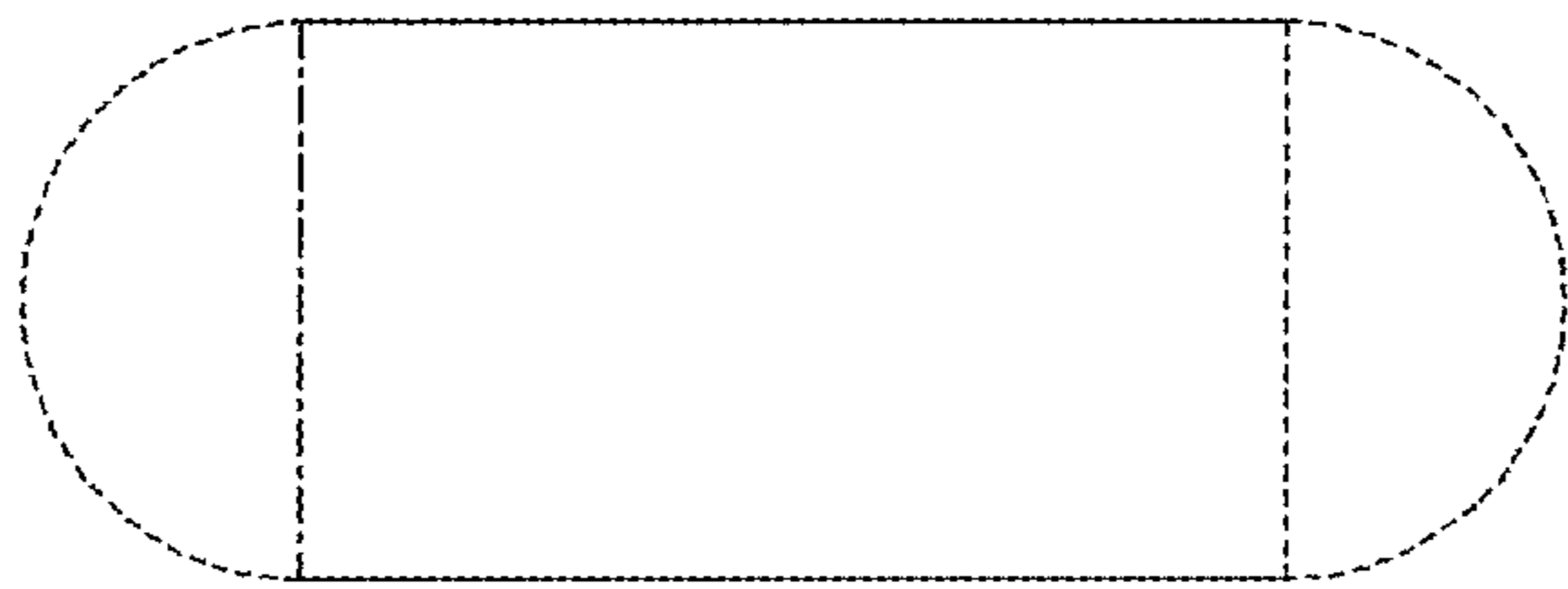


Fig. 6

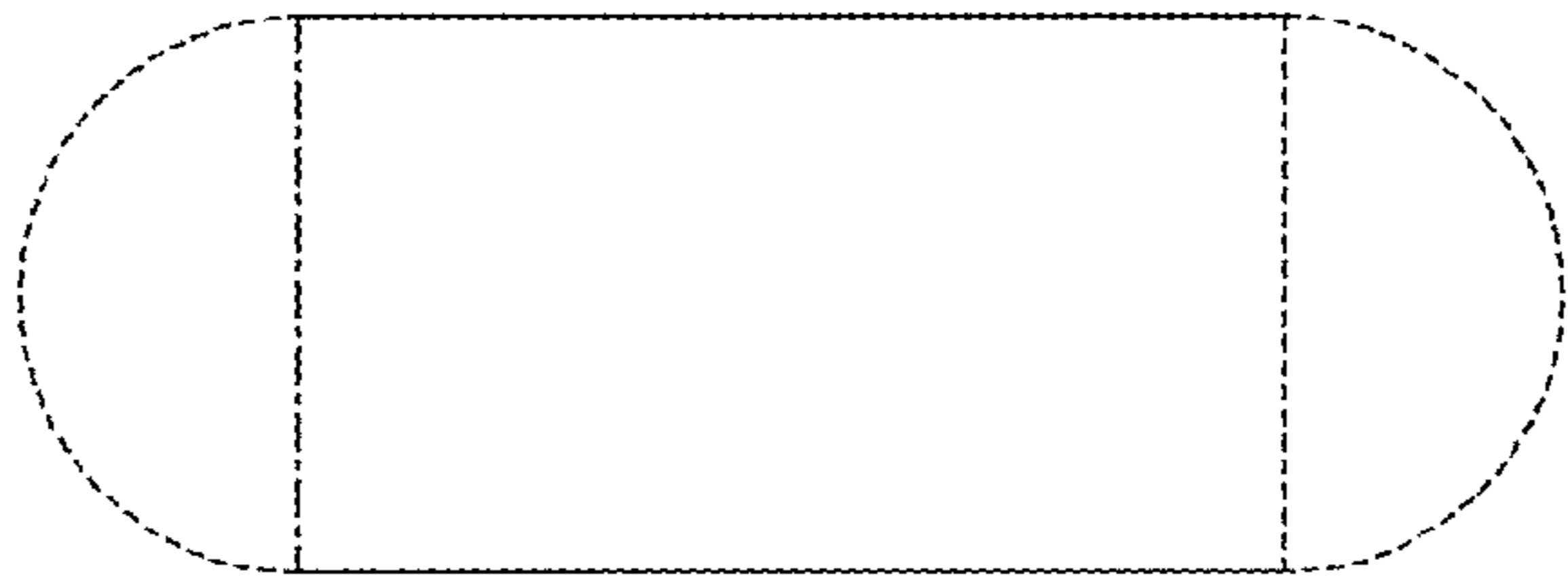


Fig. 7