



US00D769199S

(12) **United States Design Patent** (10) **Patent No.:** **US D769,199 S**
Chen et al. (45) **Date of Patent:** **** Oct. 18, 2016**

(54) **LIGHT-EMITTING DIODE UNIT**

(71) Applicant: **EPISTAR CORPORATION**, Hsinchu (TW)

(72) Inventors: **Chao Hsing Chen**, Hsinchu (TW); **Tsung Hsun Chiang**, Hsinchu (TW); **Chien Chih Liao**, Hsinchu (TW); **Wen Hung Chuang**, Hsinchu (TW); **Bo Jiun Hu**, Hsinchu (TW); **Tzu Yao Tseng**, Hsinchu (TW); **Jia Kuen Wang**, Hsinchu (TW); **Tsun Kai Ko**, Hsinchu (TW); **Chien Fu Shen**, Hsinchu (TW); **Kuan Yi Lee**, Hsinchu (TW); **Min Yen Tsai**, Hsinchu (TW)

(73) Assignee: **EPISTAR CORPORATION**, Hsinchu (TW)

(**) Term: **14 Years**

(21) Appl. No.: **29/526,403**

(22) Filed: **May 8, 2015**

(30) **Foreign Application Priority Data**

Nov. 10, 2014 (TW) 103306536

(51) **LOC (10) Cl.** **13-03**

(52) **U.S. Cl.**

USPC **D13/180**

(58) **Field of Classification Search**

USPC D13/180, 1

CPC . H01L 25/167; H01L 25/0753; H01L 27/15; H01L 27/156; H01L 31/02; H01L 33/00; H01L 33/04; H01L 33/08; H01L 33/10; H01L 33/20; H01L 33/38; H01L 33/42; H01L 33/48; H01L 33/483; H01L 33/486

See application file for complete search history.

(56) **References Cited**

U.S. PATENT DOCUMENTS

7,015,512 B2 * 3/2006 Park H01L 27/156
257/773

D681,566 S * 5/2013 Chen D13/180

D686,581 S * 7/2013 Lim D13/180

D687,396 S * 8/2013 Chen D13/180

8,704,249 B2 * 4/2014 Kamiya H01L 33/38
257/91

(Continued)

FOREIGN PATENT DOCUMENTS

KR 30-0453614 6/2007

Primary Examiner — Selina Sikder

(74) *Attorney, Agent, or Firm* — Muncy, Geissler, Olds & Lowe, P.C.

(57) **CLAIM**

The ornamental design for a light-emitting diode unit, as shown and described.

DESCRIPTION

FIG. 1 is a perspective view of a light-emitting diode unit showing our new design;

FIG. 2 is another perspective view thereof;

FIG. 3 is a front elevational view thereof;

FIG. 4 is a rear elevational view thereof;

FIG. 5 is a left side view thereof;

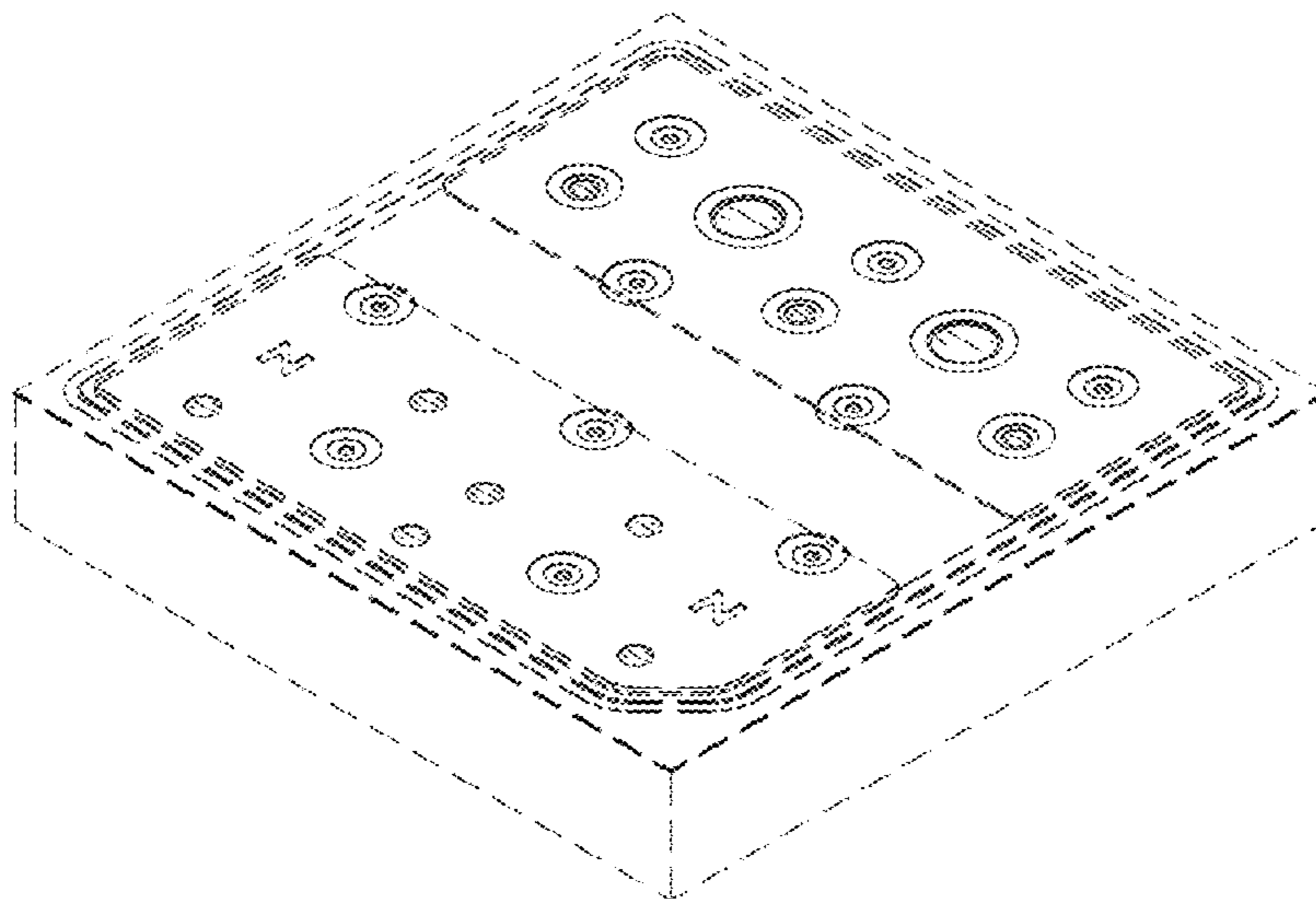
FIG. 6 is a right side view thereof;

FIG. 7 is a top plan view thereof; and,

FIG. 8 is a bottom plan view thereof.

The broken line showing is for the purpose of illustrating environmental structure only and forms no part of the claimed design.

1 Claim, 6 Drawing Sheets



(56)

References Cited

U.S. PATENT DOCUMENTS

D721,663 S *	1/2015	Chen	D13/180	2006/0261725 A1*	11/2006	Lee	H01J 3/021 313/495
D725,051 S *	3/2015	Kao	D13/180	2007/0176206 A1*	8/2007	Choi	H01J 9/025 257/198
D725,052 S *	3/2015	Chen	D13/180	2008/0116782 A1*	5/2008	Kim	H01J 3/021 313/496
D733,079 S *	6/2015	Chen	D13/180	2011/0284883 A1*	11/2011	Suda	H01L 27/153 257/88
D745,472 S *	12/2015	Feng	D13/180	2011/0291070 A1*	12/2011	Won	H01L 33/0066 257/13
D745,473 S *	12/2015	Feng	D13/180	2011/0291120 A1*	12/2011	Tak	H01L 33/08 257/88
D745,474 S *	12/2015	Feng	D13/180	2016/0005926 A1*	1/2016	Chen	H01L 33/38 257/98
D745,475 S *	12/2015	Feng	D13/180	2016/0133615 A1*	5/2016	Park	H01L 25/16 257/98
D752,527 S *	3/2016	Chen	D13/180					
D754,619 S *	4/2016	Feng	D13/180					
D755,135 S *	5/2016	Feng	D13/180					
2006/0160409 A1*	7/2006	Shimizu	F21K 9/13 439/490					

* cited by examiner

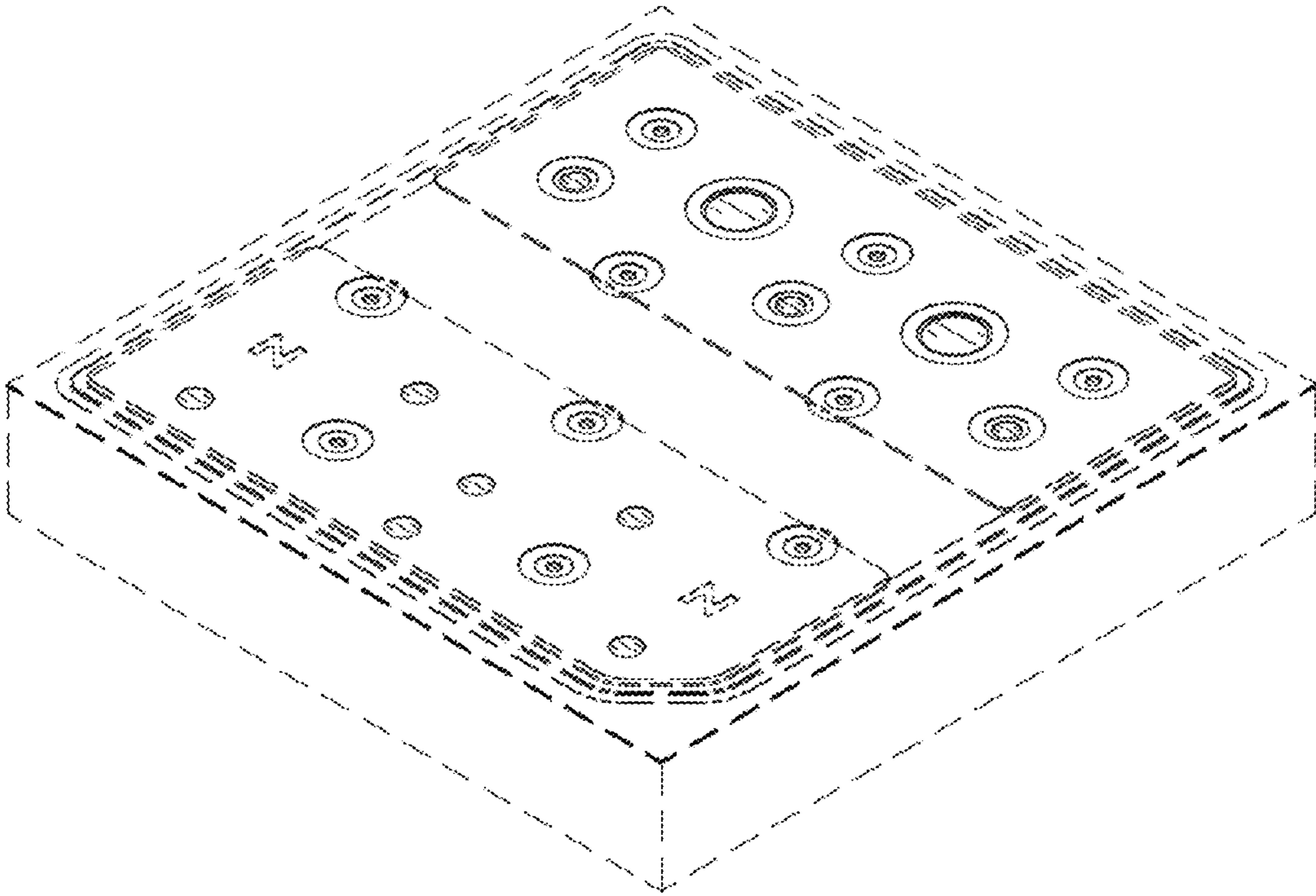


FIG. 1

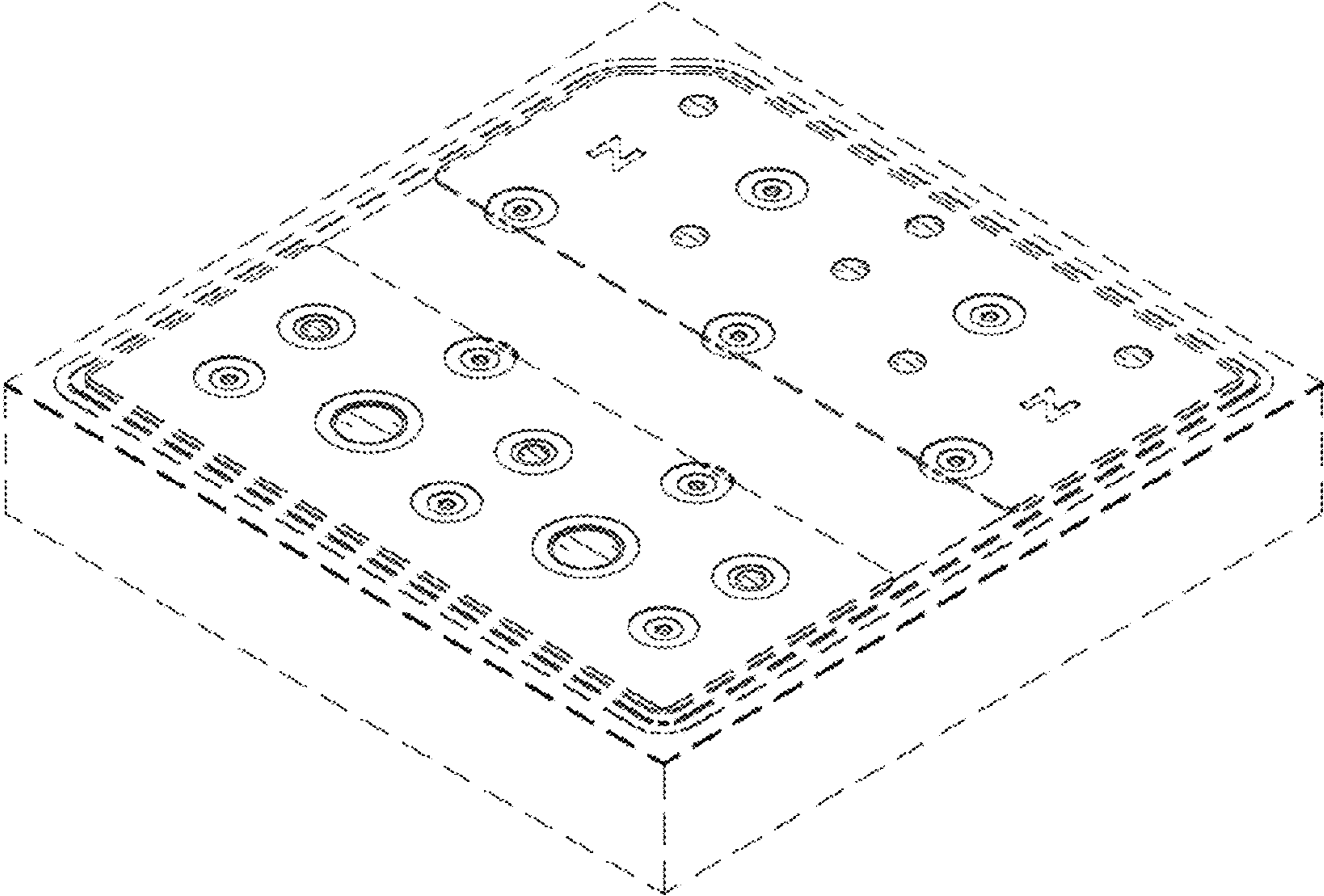


FIG. 2

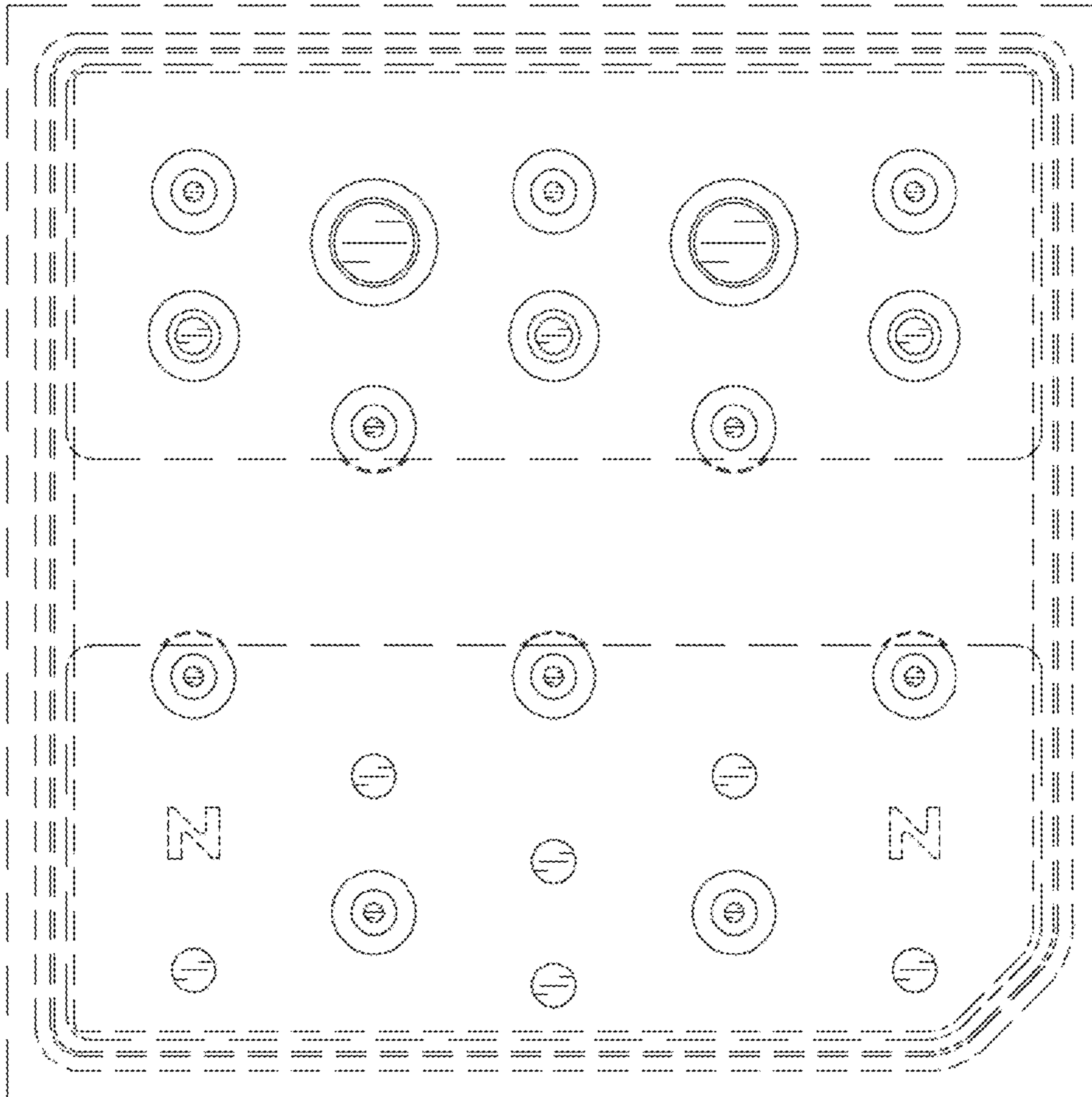


FIG. 3



FIG. 4



FIG. 5

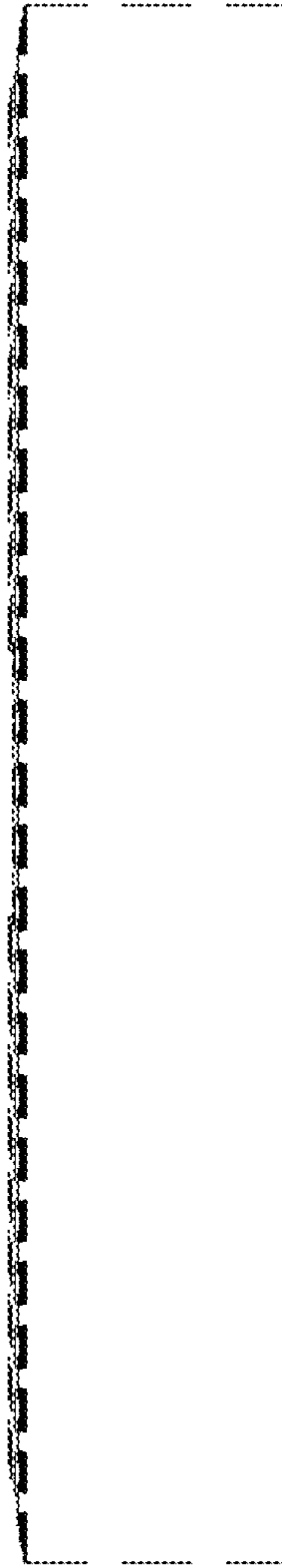


FIG. 6

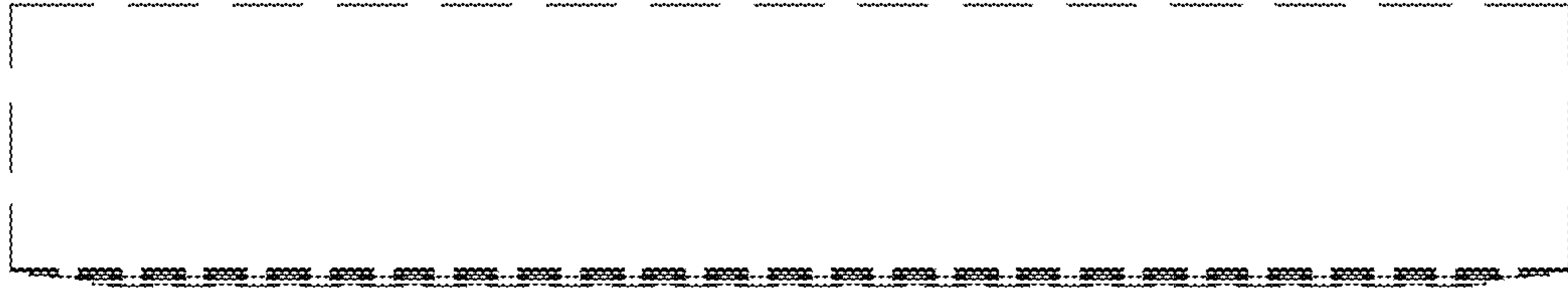


FIG. 7



FIG. 8