



US00D769198S

(12) **United States Design Patent** (10) **Patent No.:** **US D769,198 S**
Sajedian (45) **Date of Patent:** **** Oct. 18, 2016**

(54) **CABLE STRUT FOR GUIDING AUDIO, VIDEO, AND POWER CABLES**

(71) Applicant: **Hooman Sajedian**, Haverhill, MA (US)

(72) Inventor: **Hooman Sajedian**, Haverhill, MA (US)

(**) Term: **14 Years**

(21) Appl. No.: **29/524,627**

(22) Filed: **Apr. 22, 2015**

(51) **LOC (10) Cl.** **13-03**

(52) **U.S. Cl.**
USPC **D13/155**

(58) **Field of Classification Search**
USPC D13/155, 153, 156, 157, 184, 199;
D8/349, 354, 356, 394, 396; 174/68.1,
174/68.2, 68.3; 248/49, 53, 60; 361/827;
385/134, 135; 439/207, 210, 446, 445,
439/447

CPC G02B 6/4452; G02B 6/4459; G02B 6/4478;
G02B 6/3608; H02G 3/045; H02G 3/046;
H02G 3/0487; H02G 3/26; H02G 9/05;
H02G 5/06; B29C 47/0028

See application file for complete search history.

(56) **References Cited**

U.S. PATENT DOCUMENTS

D248,924 S * 8/1978 Curtis D8/382
D297,110 S * 8/1988 Zagorski 141/392
D318,784 S * 8/1991 Tamm D8/356
D376,972 S * 12/1996 Zissu D8/354
D421,212 S * 2/2000 Dunn D8/356
D439,503 S * 3/2001 Paliga D8/356
D539,752 S * 4/2007 Ruddick D13/155

D587,102 S * 2/2009 Morgan D8/356
D639,143 S * 6/2011 Schaefer D25/122
D640,527 S * 6/2011 Hoek D8/356
D663,274 S * 7/2012 Gretz D13/155
D691,876 S * 10/2013 Ganski D8/356
D712,731 S * 9/2014 Brown D8/394
D742,212 S * 11/2015 Hsu D8/396
2002/0191939 A1 * 12/2002 Daoud G02B 6/4471
385/135
2009/0050753 A1 * 2/2009 Gabriel H02G 3/32
248/49

* cited by examiner

Primary Examiner — Derrick Holland

Assistant Examiner — Jennifer O King

(74) *Attorney, Agent, or Firm* — Shifrin Patent Law; Dan Shifrin

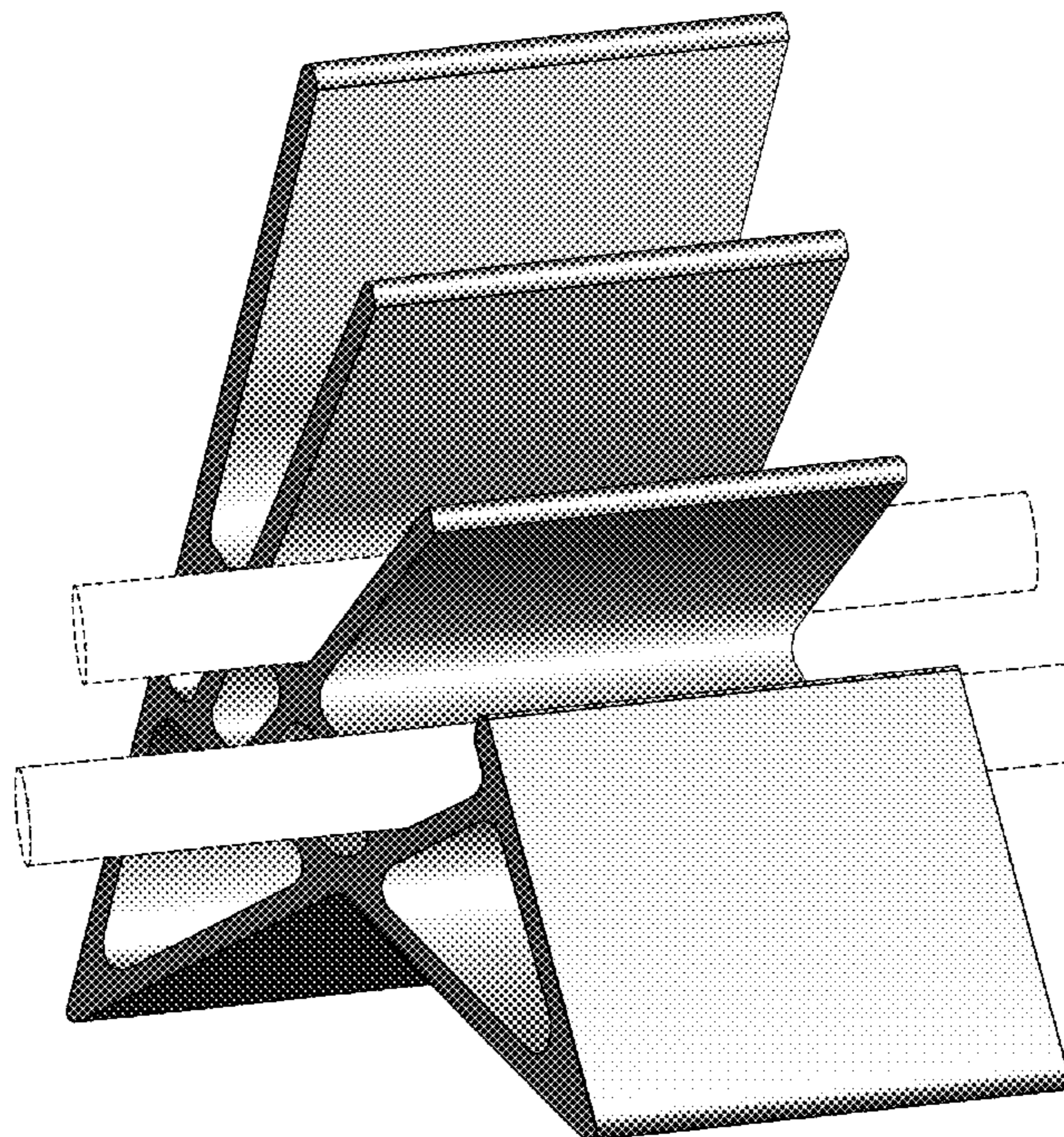
(57) **CLAIM**

The ornamental design for a cable strut for guiding audio, video, and power cables, as substantially shown and described.

DESCRIPTION

FIG. 1 is a front perspective view of a cable strut for guiding audio, video, and power cables;
FIG. 2 is a back perspective view thereof;
FIG. 3 is a front view thereof;
FIG. 4 is a back view thereof;
FIG. 5 is a left side view thereof, the right side view being a mirror image thereof;
FIG. 6 is a top view thereof; and,
FIG. 7 is a bottom view thereof.
The broken lines shown represent unclaimed subject matter and form no part of the claimed design.

1 Claim, 7 Drawing Sheets



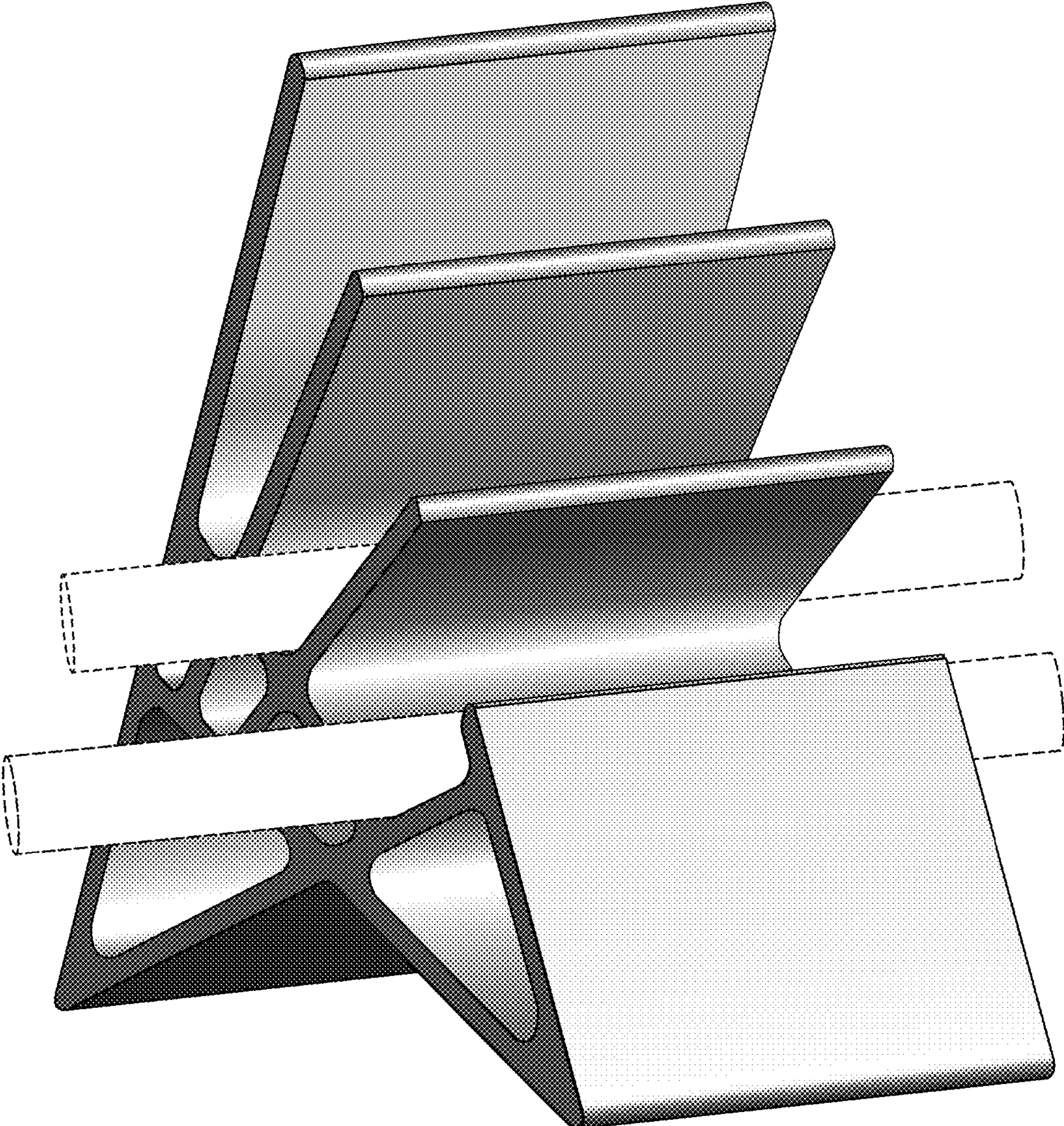


FIG. 1

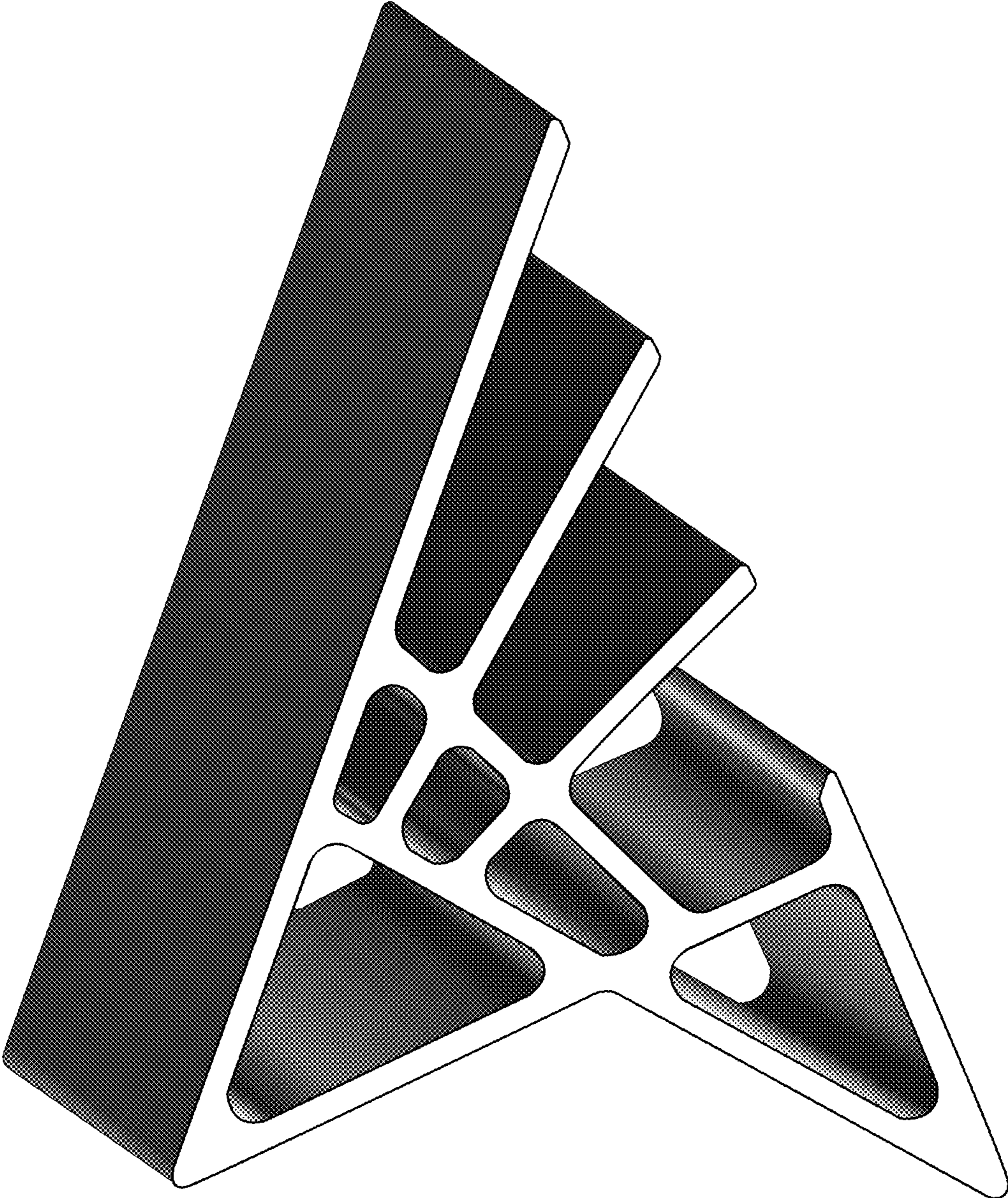


FIG. 2

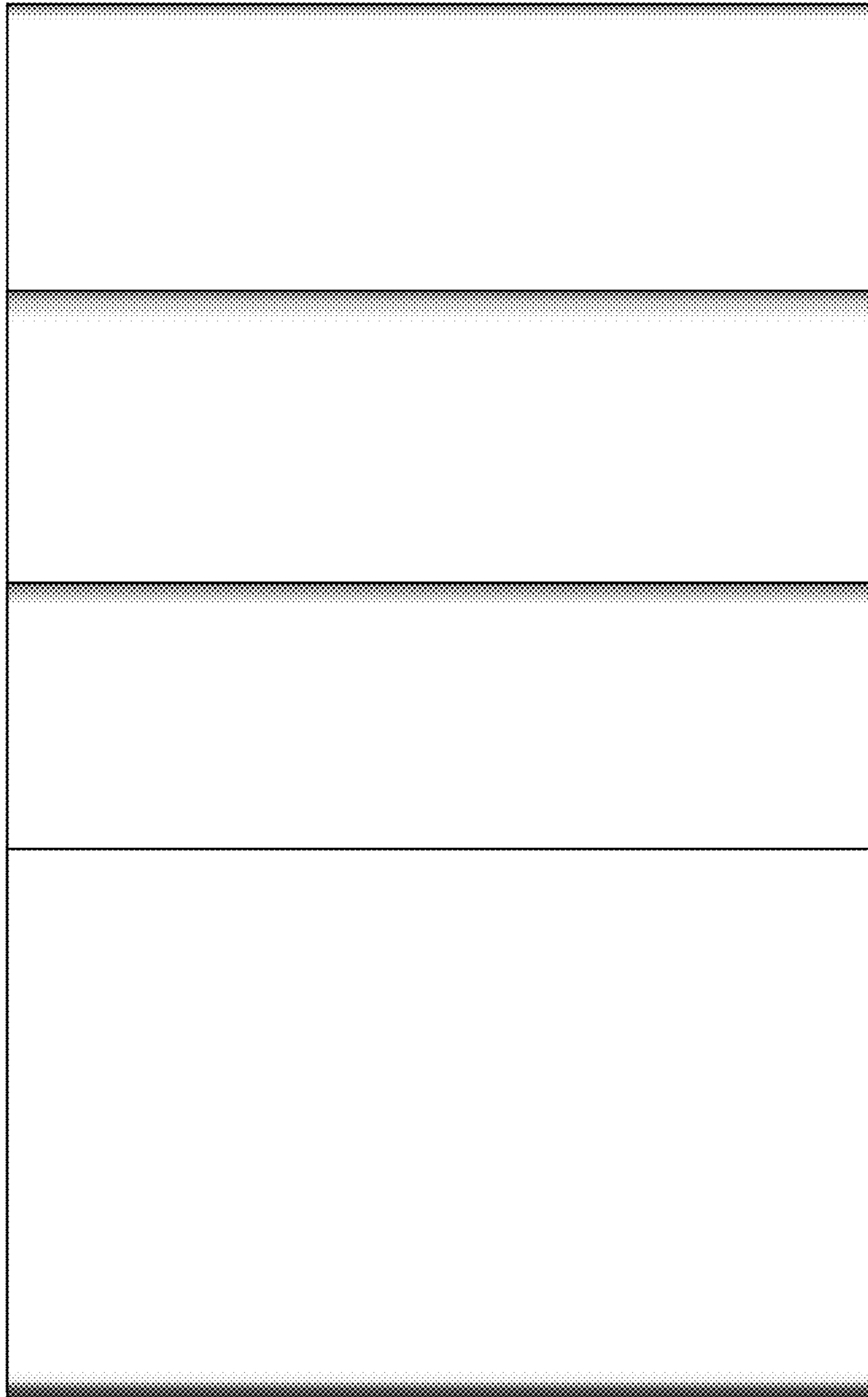


FIG. 3

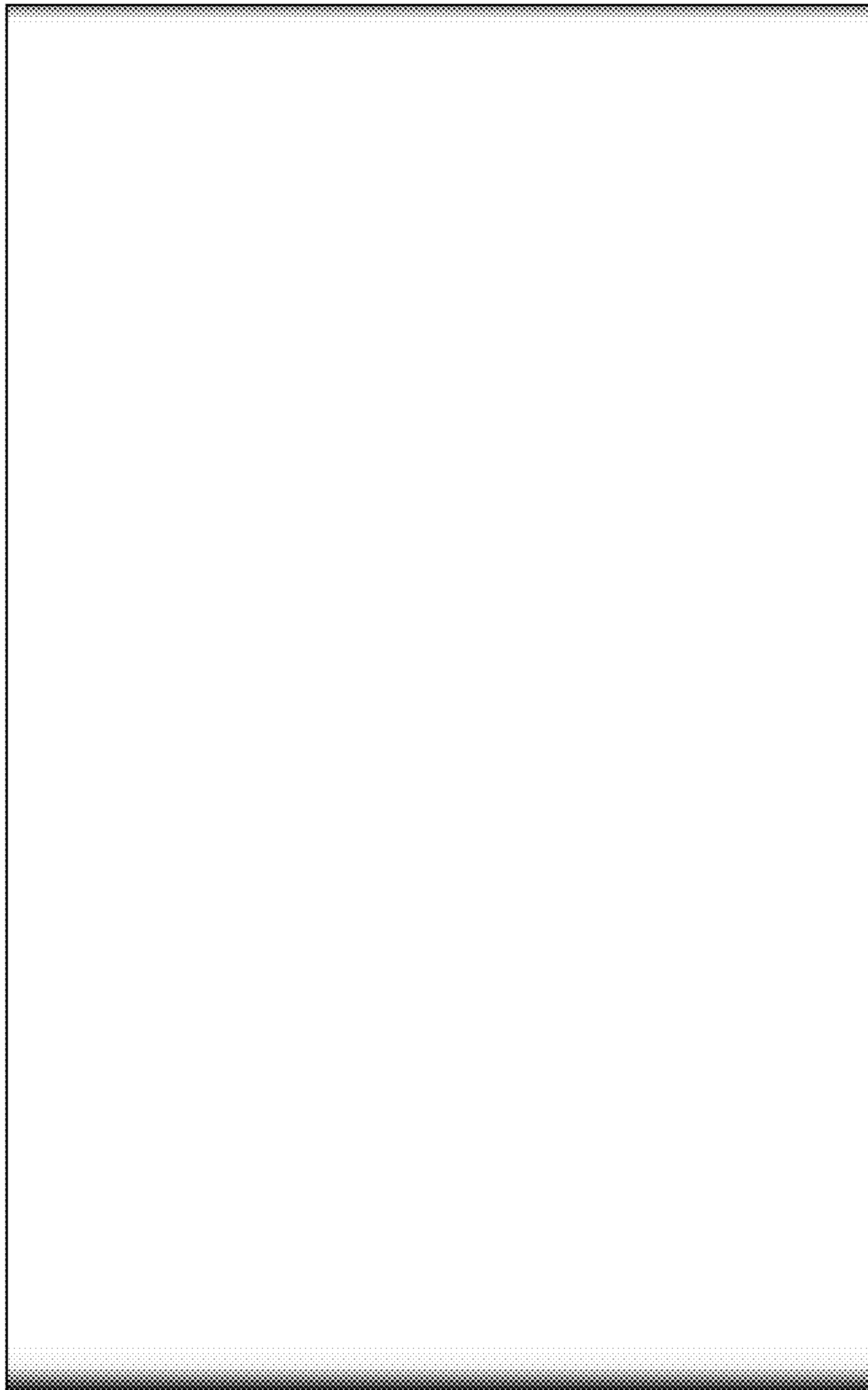


FIG. 4

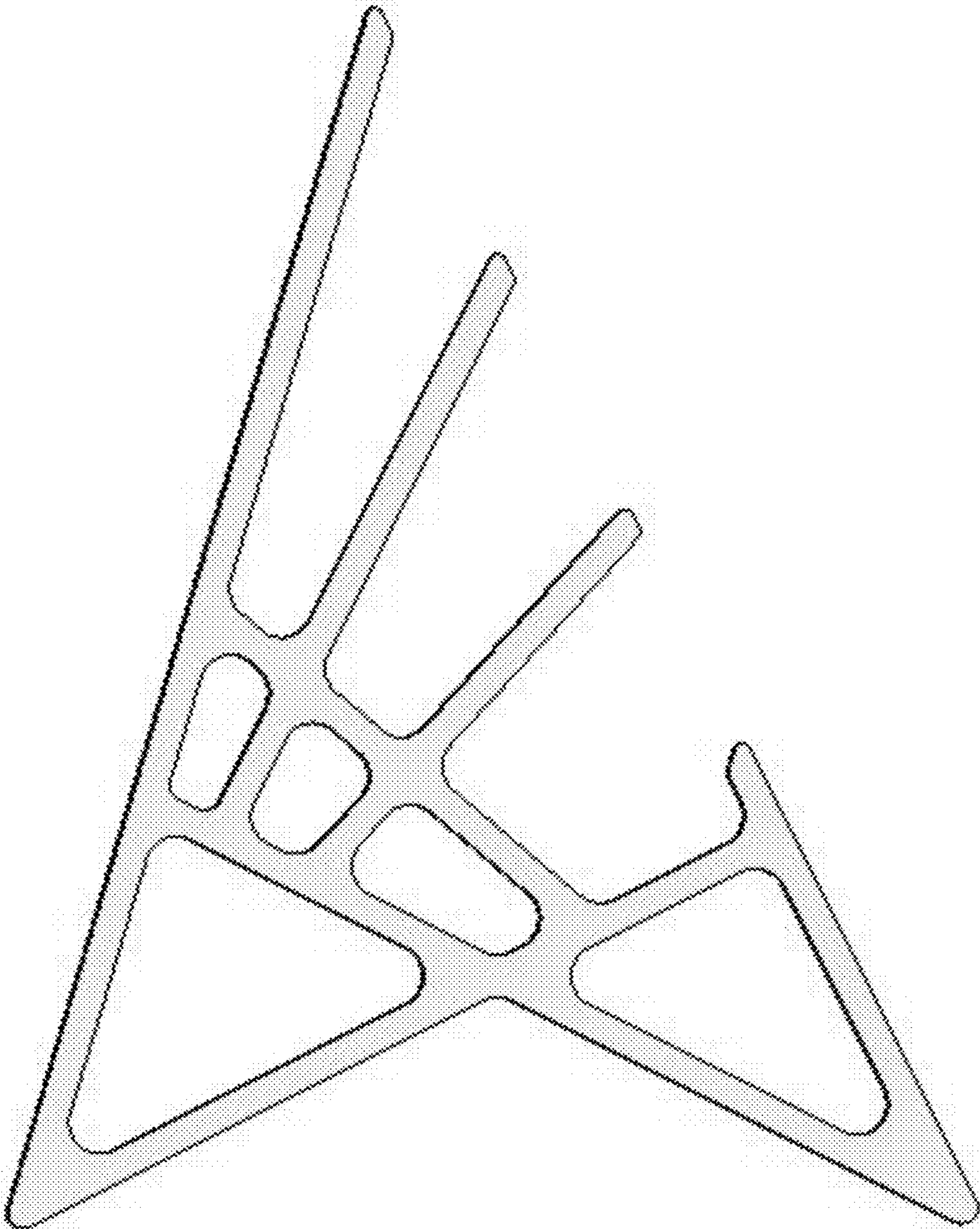


FIG. 5

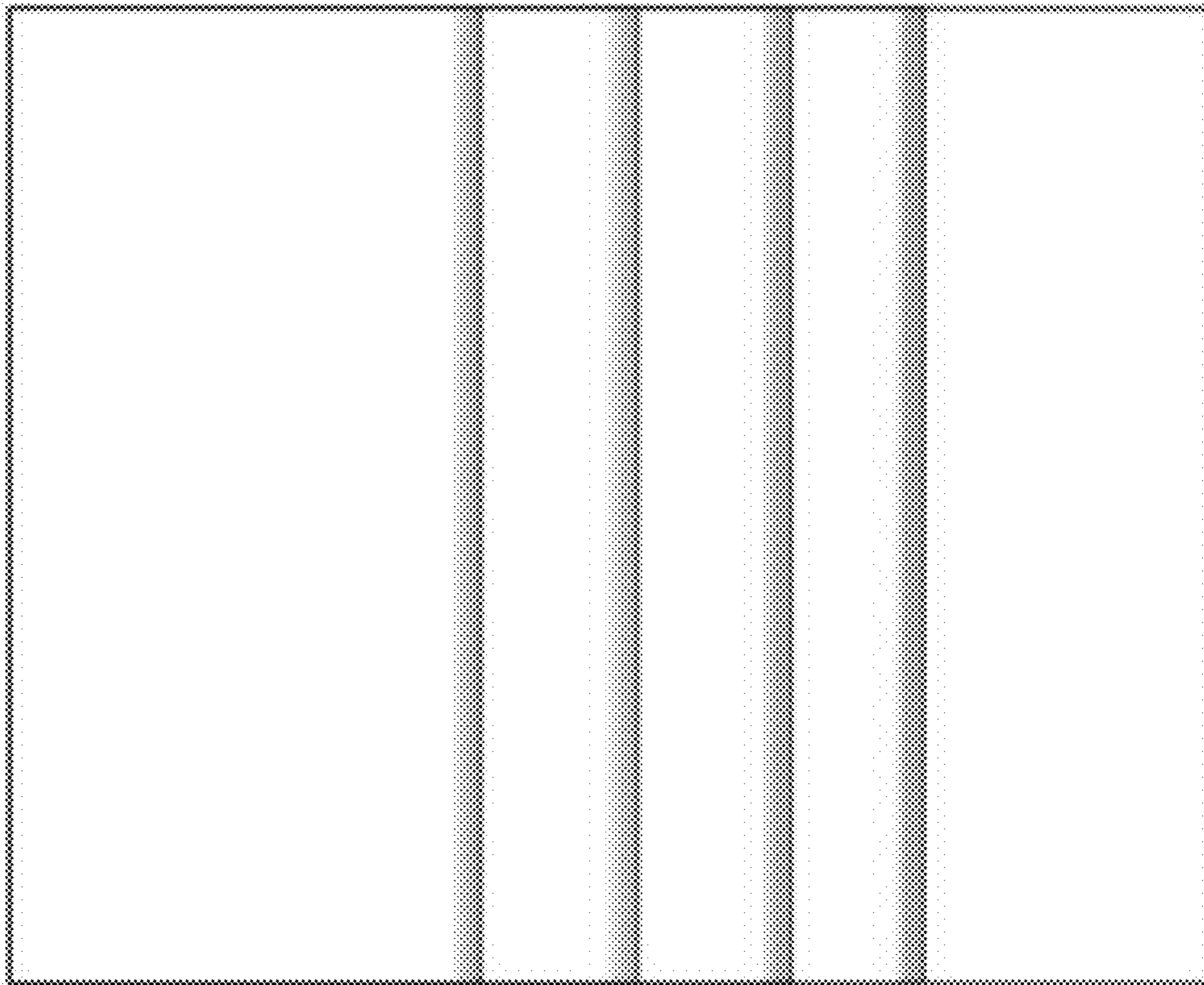


FIG. 6

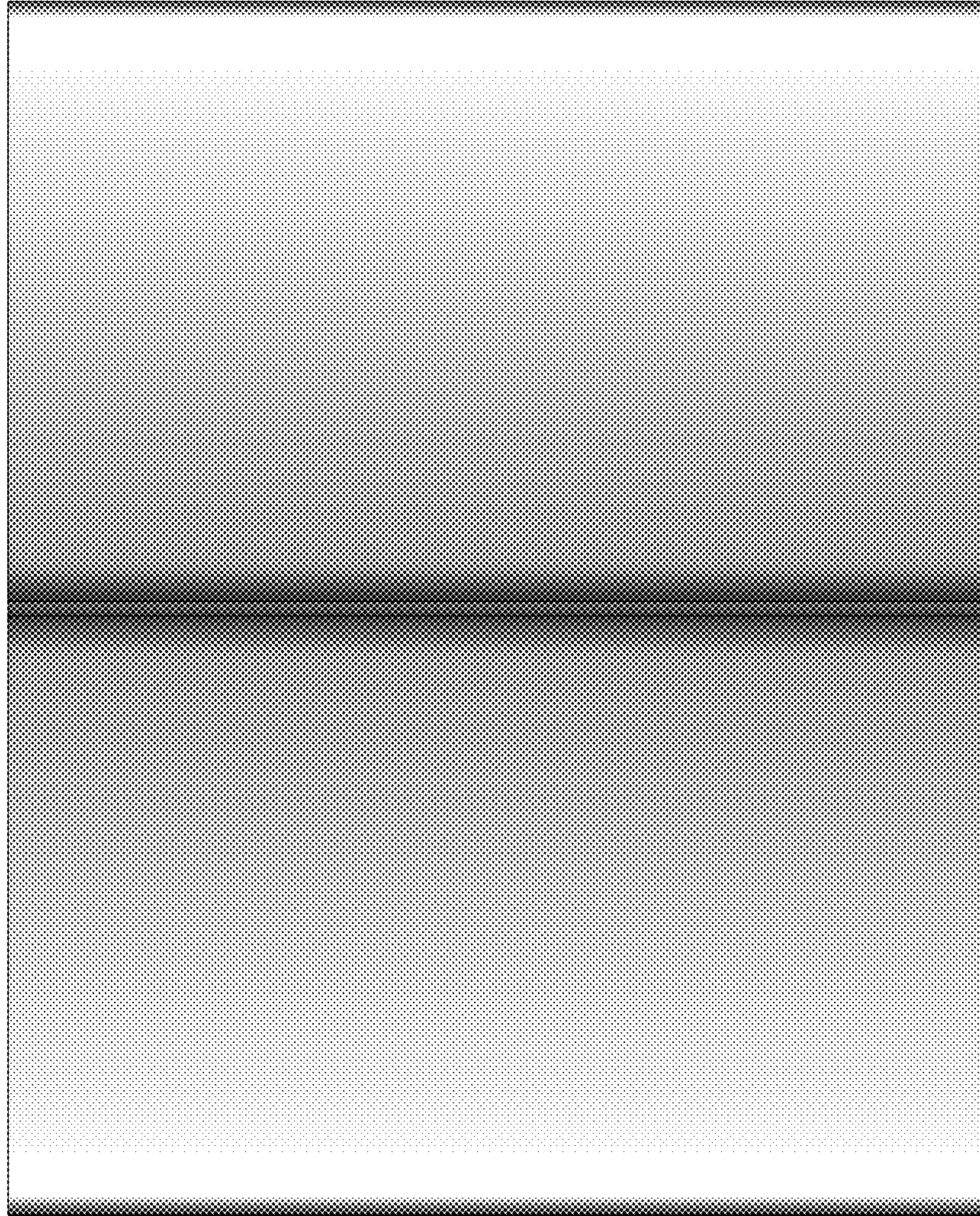


FIG. 7