



US00D769197S

(12) **United States Design Patent**
Chen et al.

(10) **Patent No.:** **US D769,197 S**

(45) **Date of Patent:** **** Oct. 18, 2016**

(54) **CONNECTOR HOUSING**

(71) Applicant: **ADVANCED-CONNECTEK INC.**,
New Taipei (TW)

(72) Inventors: **Ching-Tien Chen**, New Taipei (TW);
Shu-Lin Duan, New Taipei (CN); **Wei Wan**,
New Taipei (CN); **Fu-Yi Zu**,
New Taipei (CN)

(73) Assignee: **Advanced Connectek Inc.**, New Taipei
(TW)

(**) Term: **15 Years**

(21) Appl. No.: **29/526,780**

(22) Filed: **May 13, 2015**

(30) **Foreign Application Priority Data**

Dec. 8, 2014 (TW) 103307205

(51) **LOC (10) Cl.** **13-03**

(52) **U.S. Cl.**
USPC **D13/154**

(58) **Field of Classification Search**

USPC D13/147, 154, 184, 199
CPC H01R 24/00; H01R 24/60; H01R 13/00;
H01R 13/516; H01R 13/64; H01R 13/6474;
H01R 13/6582; H01R 13/6595; H01R
13/6275; H01R 13/6581; H01R 13/6591;
H01R 13/6597

See application file for complete search history.

(56) **References Cited**

U.S. PATENT DOCUMENTS

D465,767 S *	11/2002	Zhu	D13/147
D508,679 S *	8/2005	Li	D13/147
D509,800 S *	9/2005	Hu	D13/147
D522,968 S *	6/2006	Hu	D13/147
D522,971 S *	6/2006	Shang-Yen	D13/147
D537,786 S *	3/2007	Li	D13/147

* cited by examiner

Primary Examiner — Daniel Bui

(74) *Attorney, Agent, or Firm* — Schmeiser, Olsen &
Watts, LLP

(57) **CLAIM**

We claim the ornamental design for a connector housing, as shown and described.

DESCRIPTION

FIG. 1 is perspective view of a connector housing showing our new design;

FIG. 2 is a bottom perspective view thereof;

FIG. 3 is a front view thereof;

FIG. 4 is a rear view thereof;

FIG. 5 is a left side view thereof;

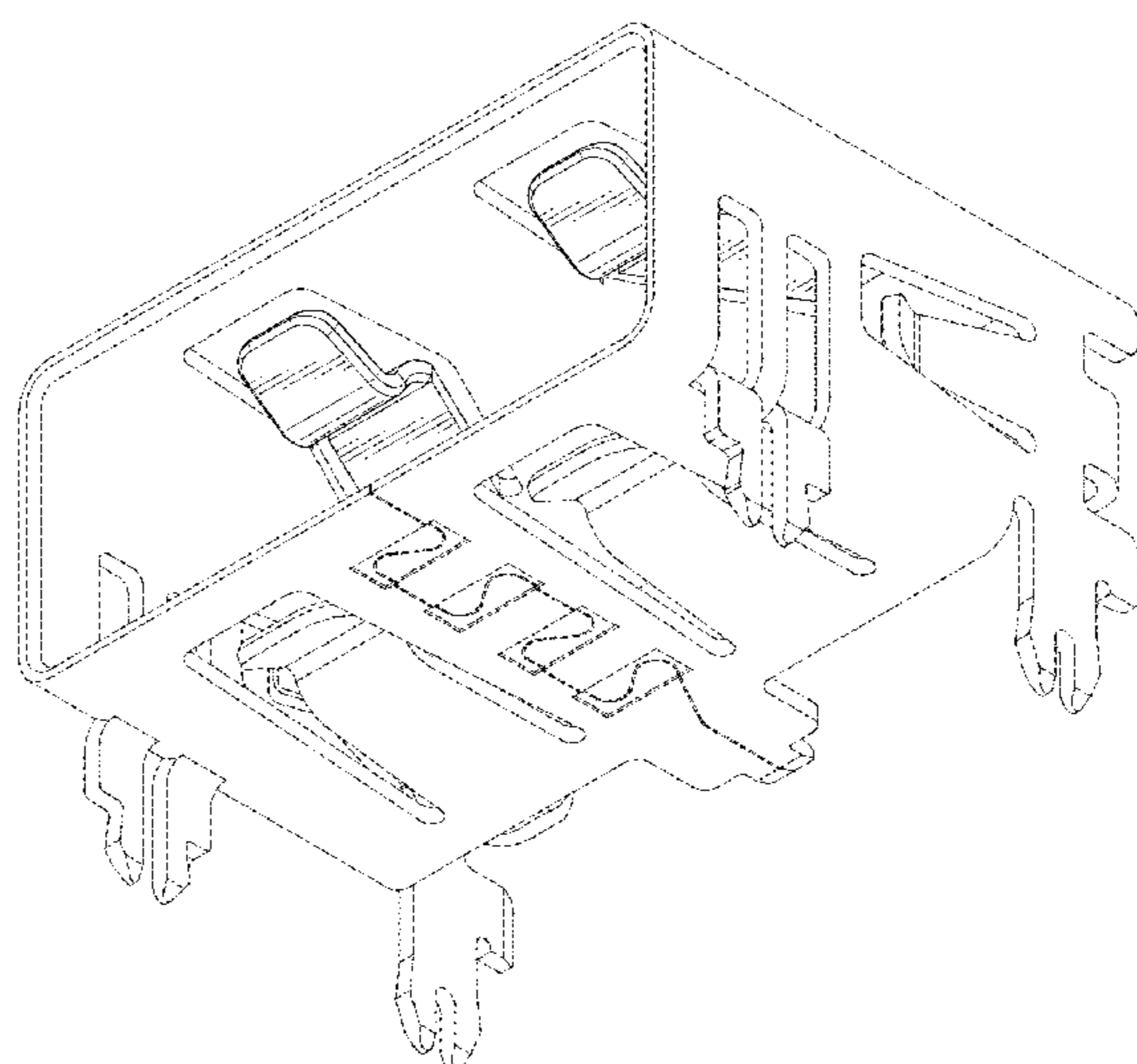
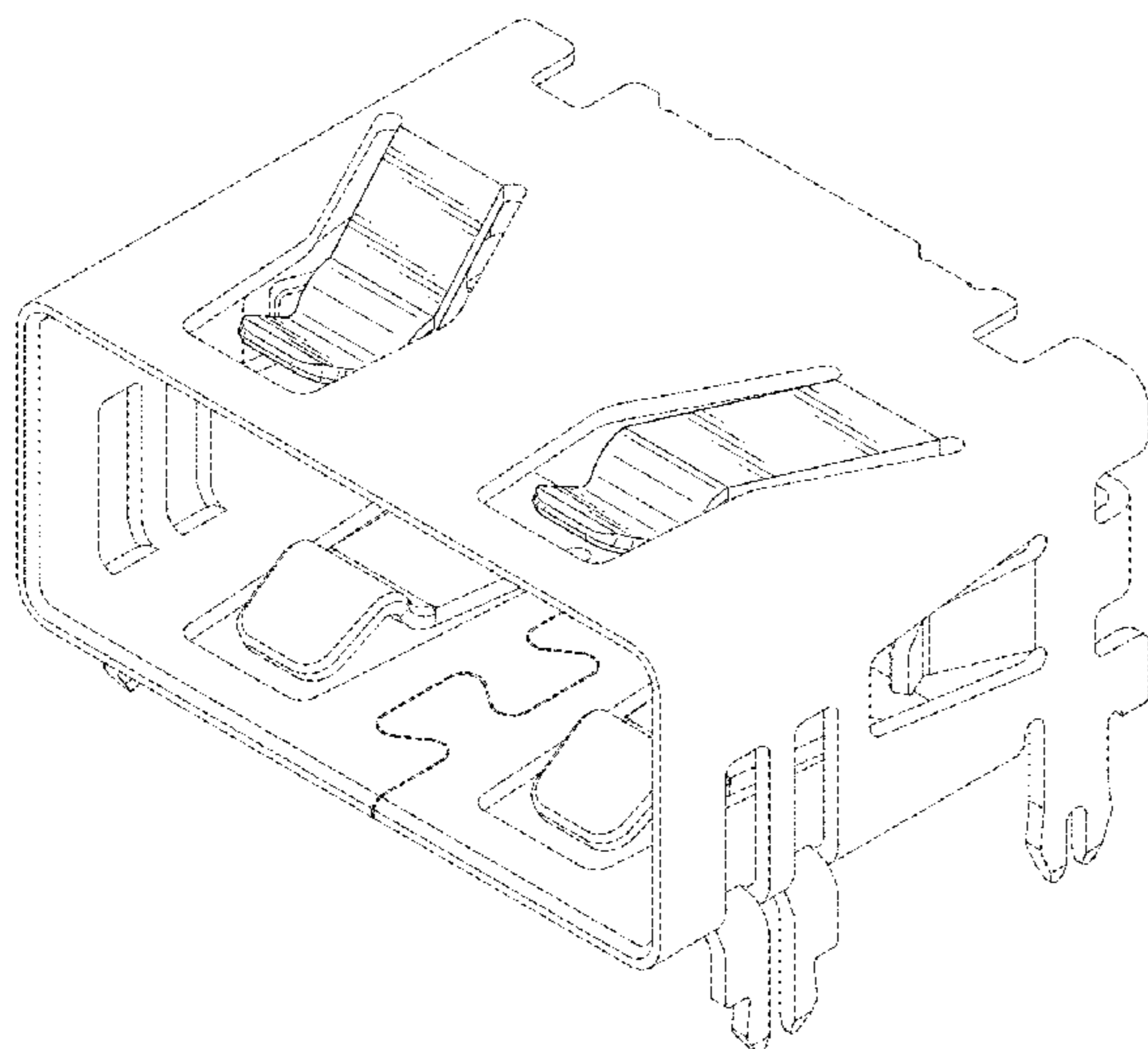
FIG. 6 is a right side view thereof;

FIG. 7 is a top view thereof; and,

FIG. 8 is a bottom view thereof.

The broken line portion of the figure drawings is included for the purpose of illustrating environment and forms no part of the claimed design. Only shaded areas shown in the drawing views are part of the claimed design.

1 Claim, 8 Drawing Sheets



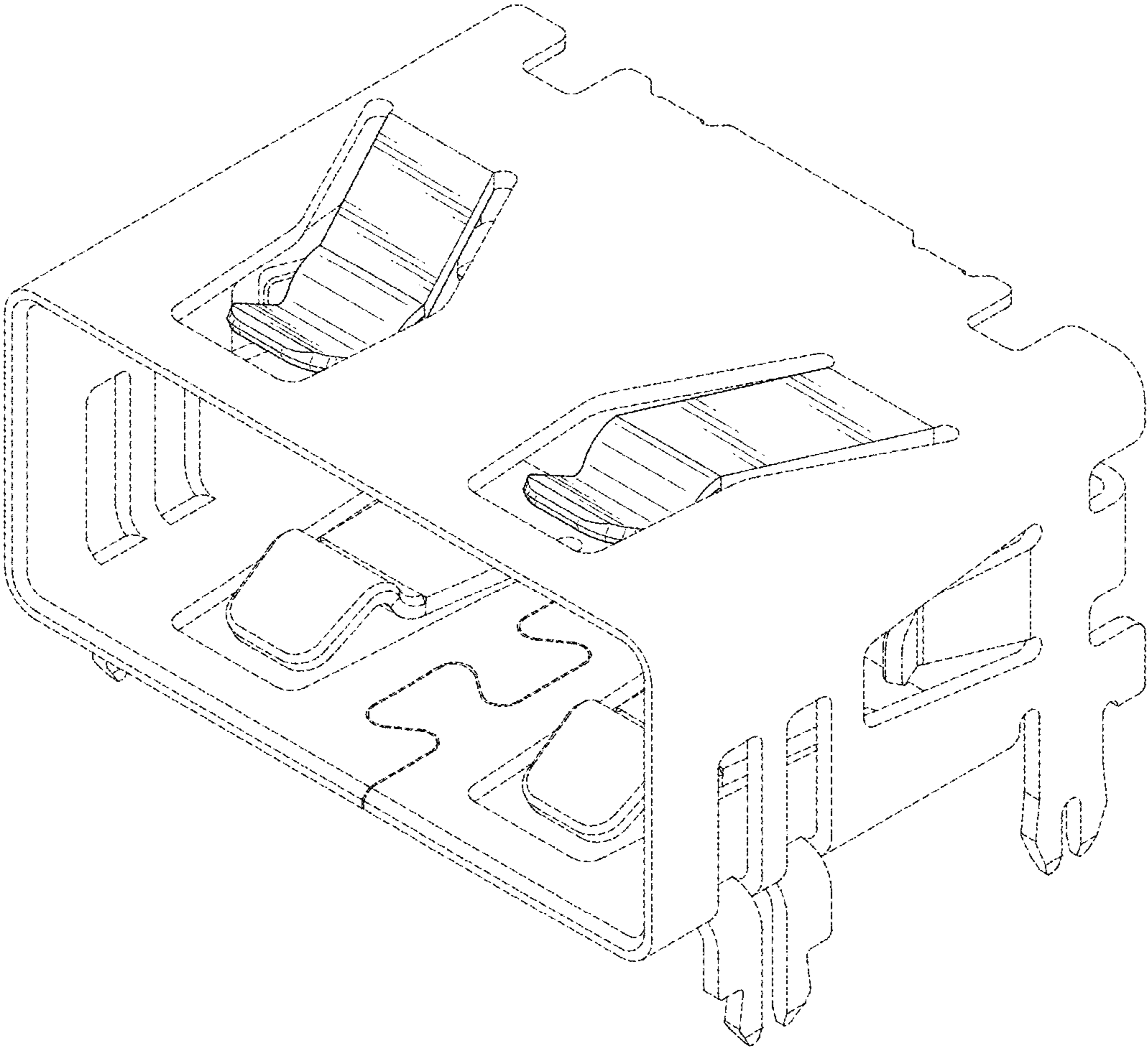


FIG.1

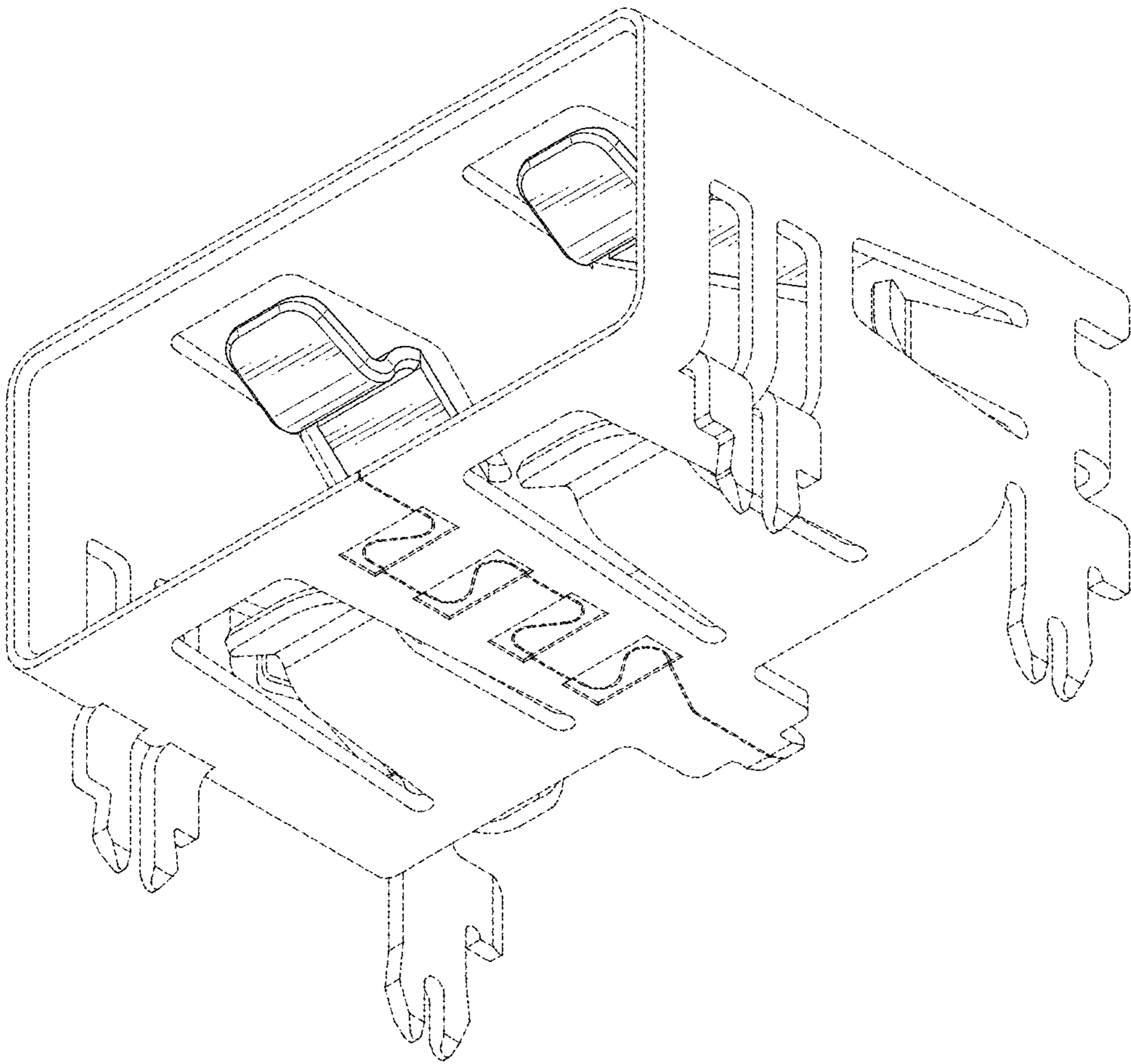


FIG.2

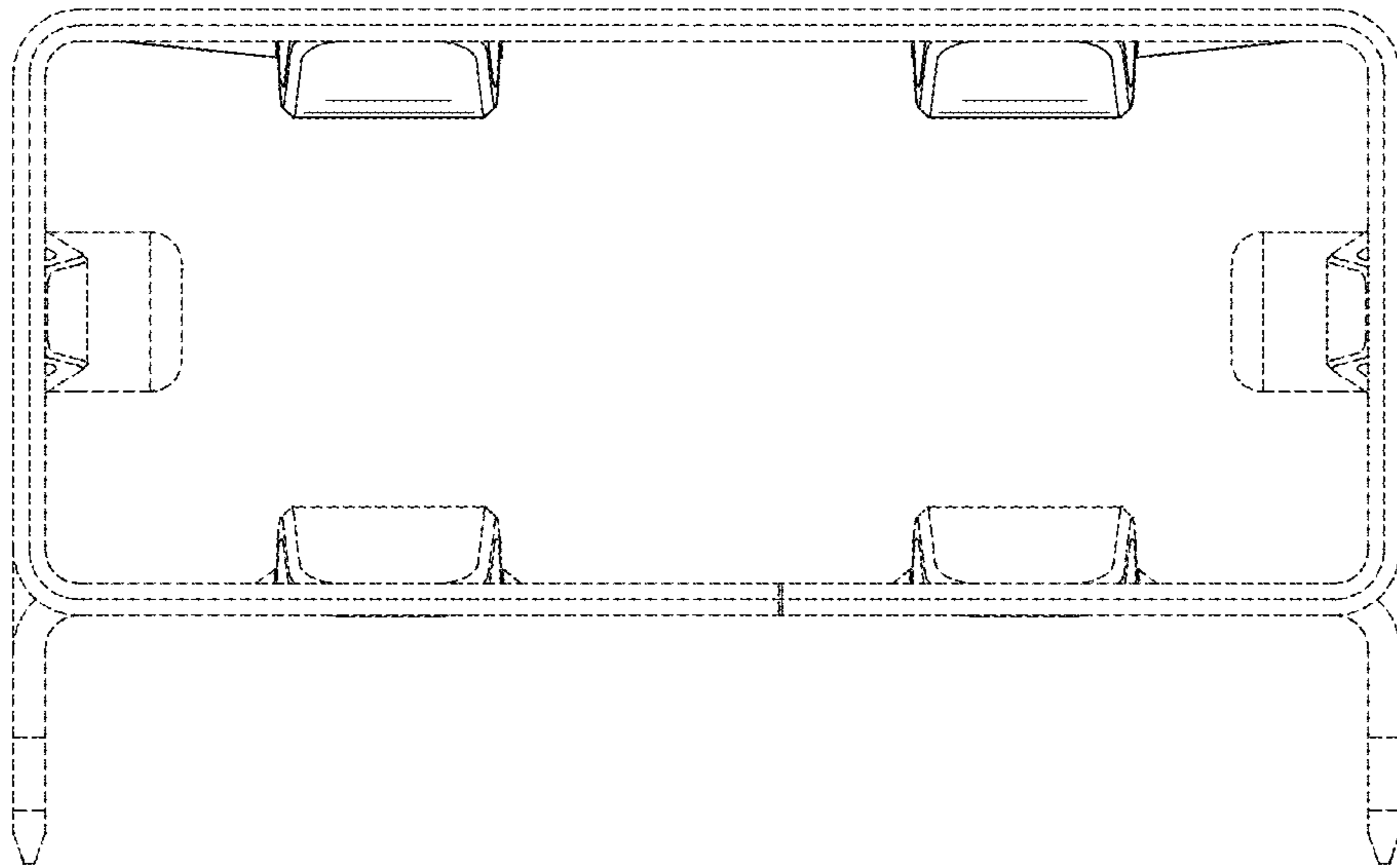


FIG.3

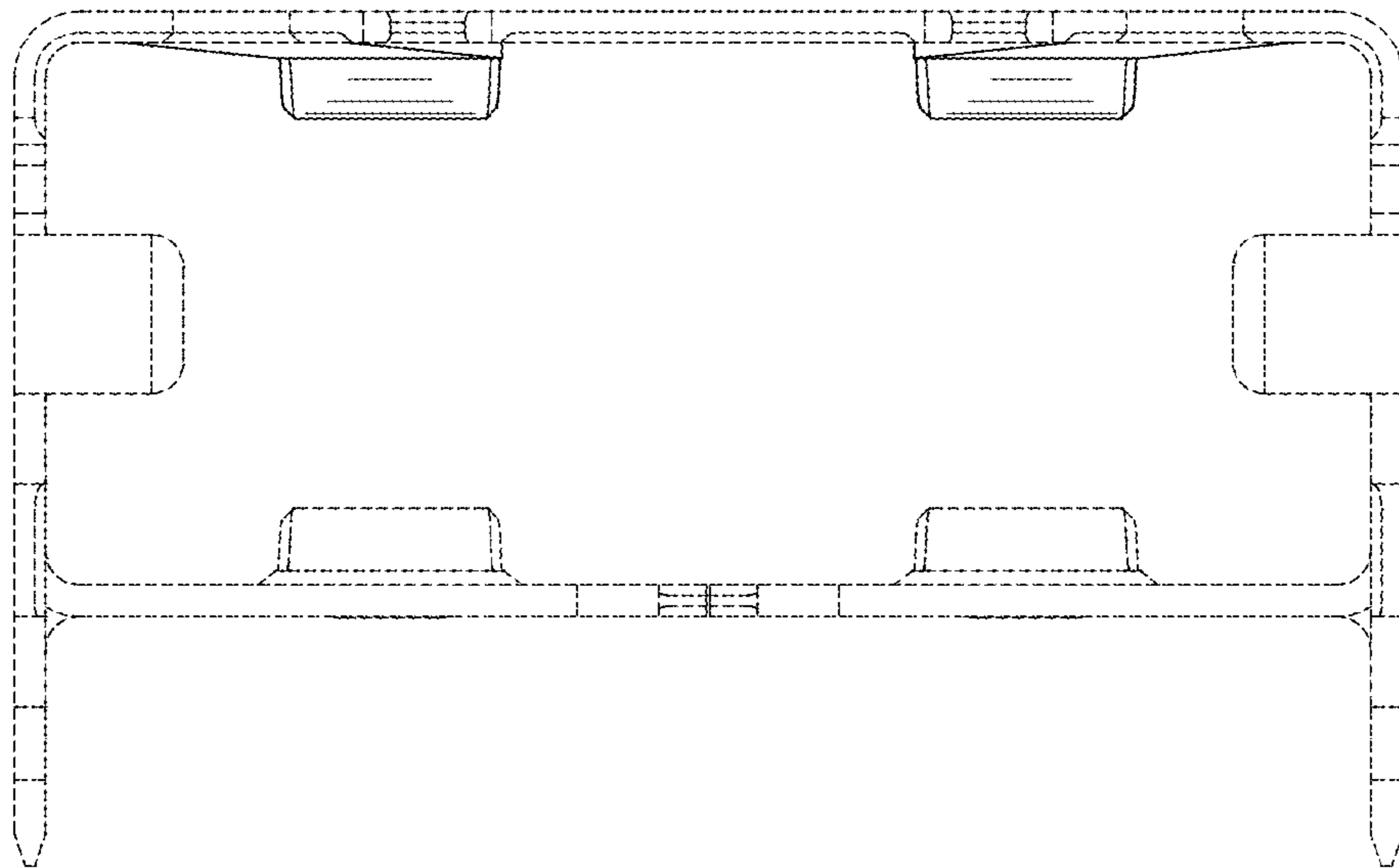


FIG.4

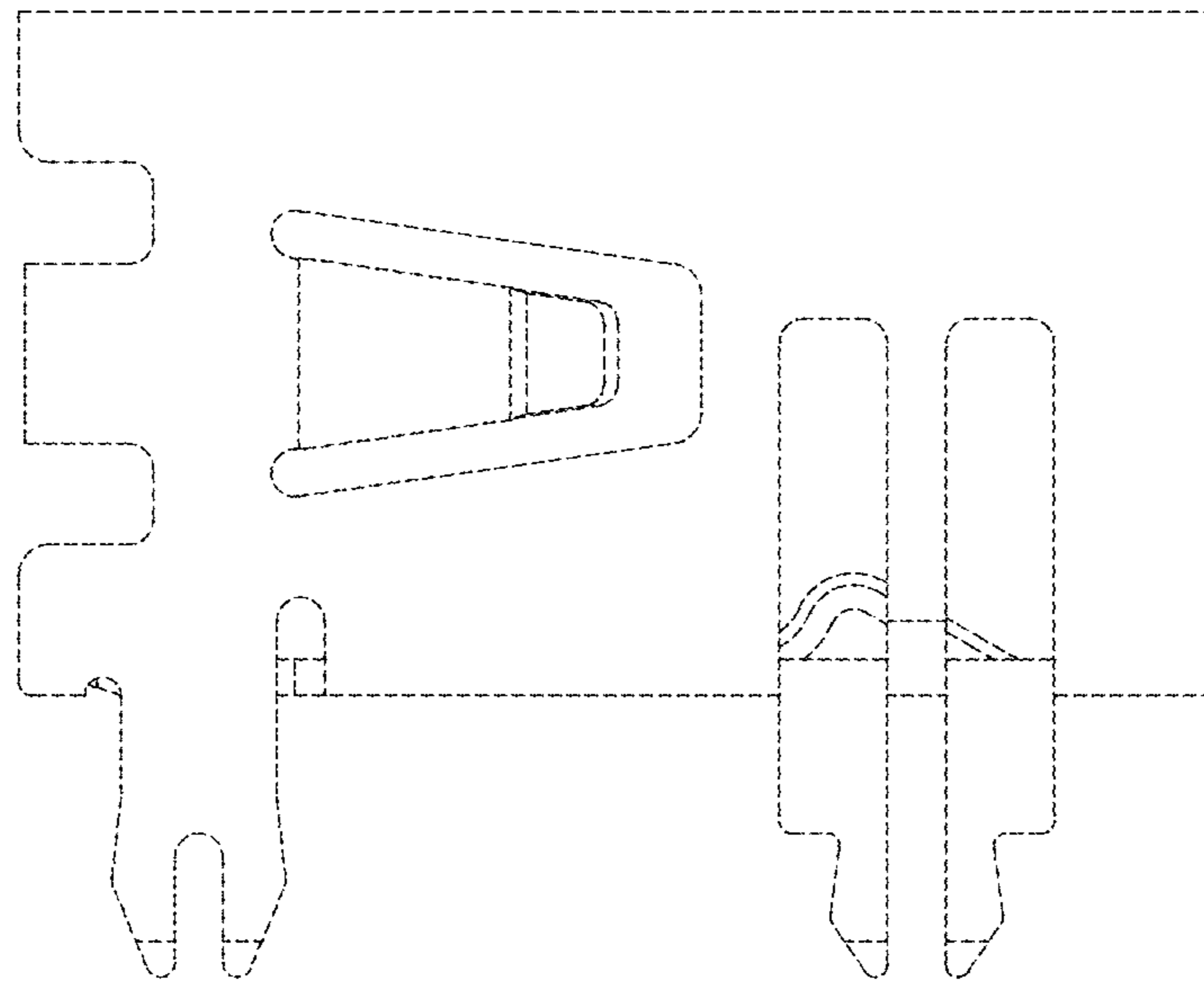


FIG. 5

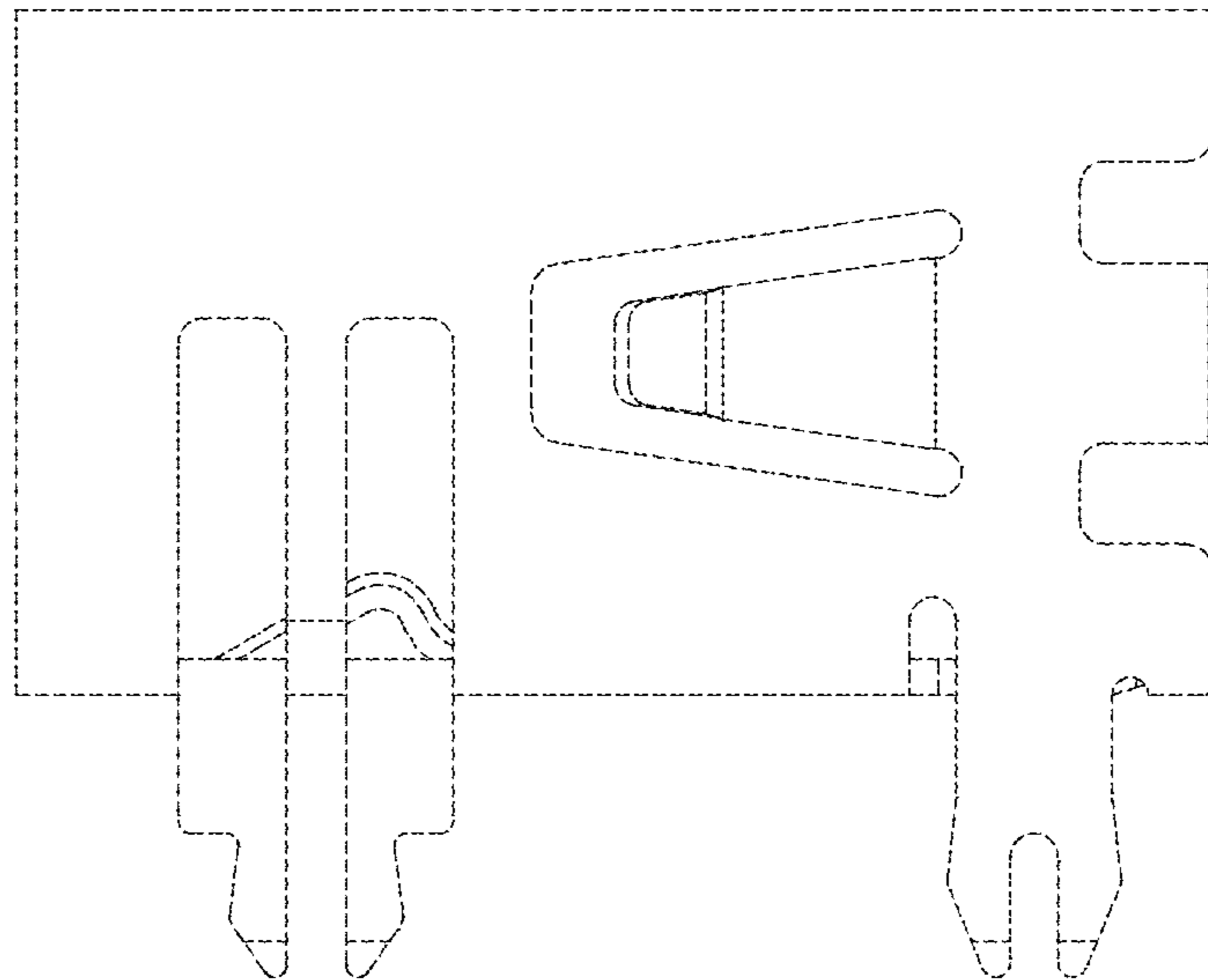


FIG.6

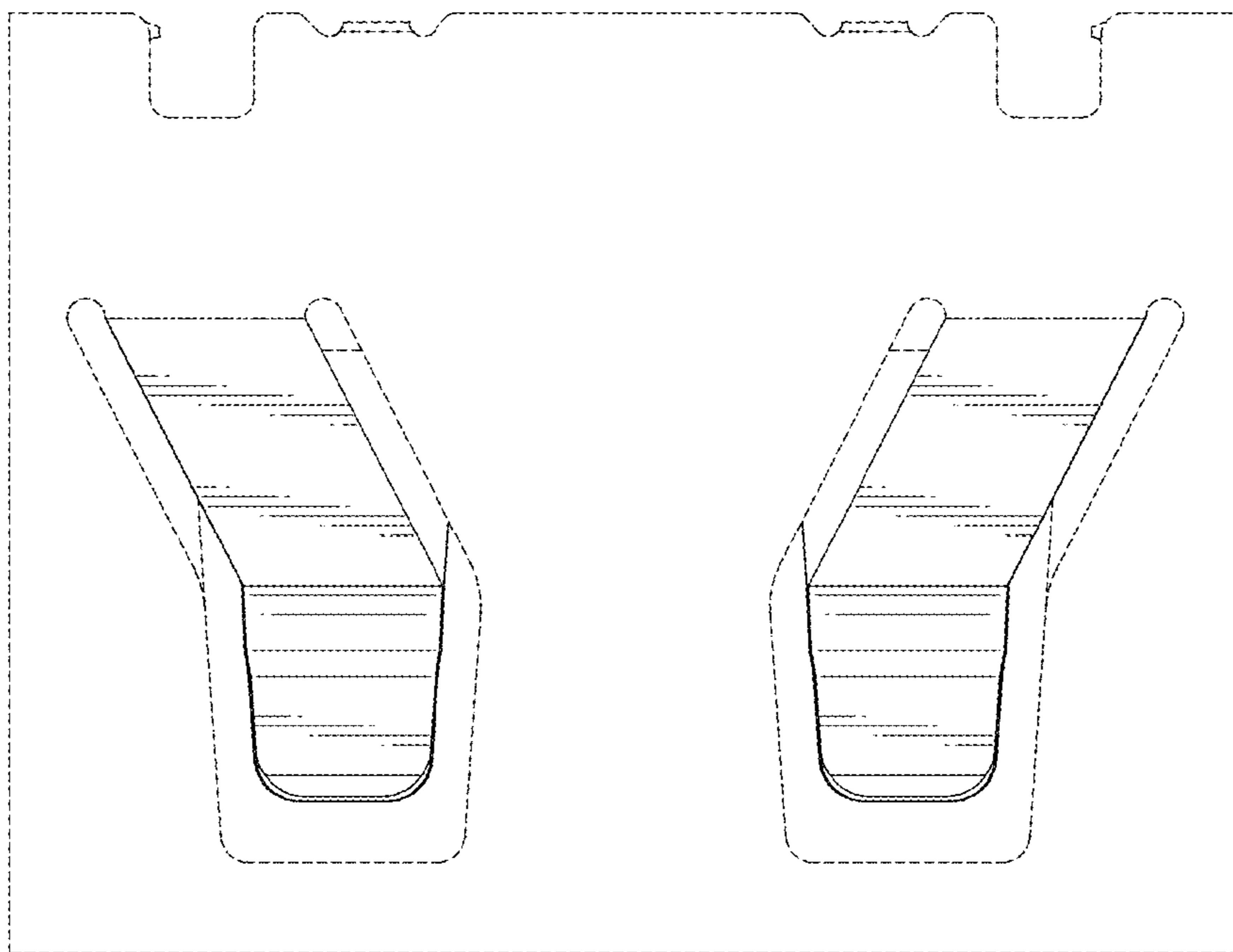


FIG. 7

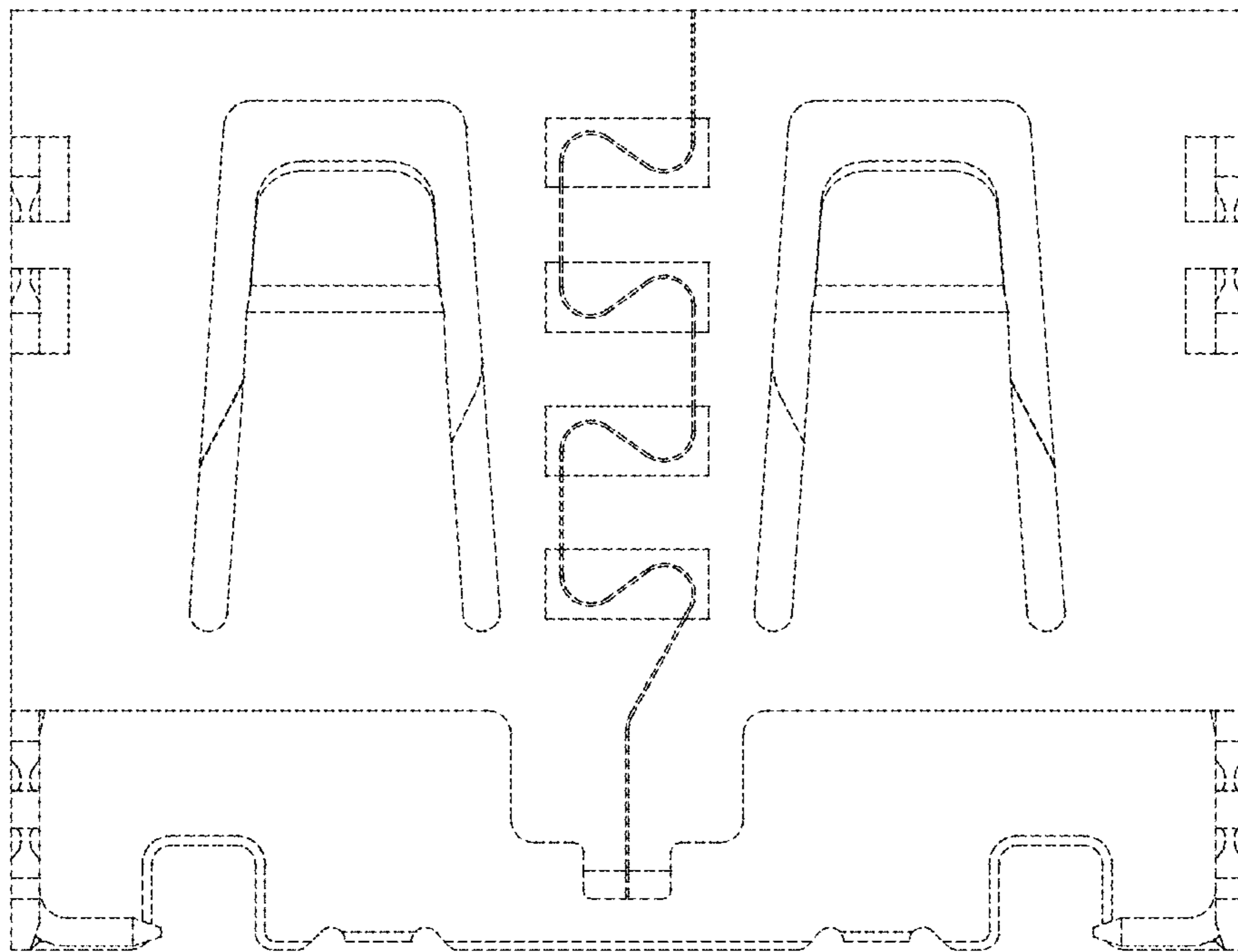


FIG. 8