



US00D769196S

(12) **United States Design Patent**
Yokoyama

(10) **Patent No.:** **US D769,196 S**

(45) **Date of Patent:** **** Oct. 18, 2016**

(54) **ELECTRICAL CONNECTOR**

(71) Applicant: **Japan Aviation Electronics Industry, Limited**, Tokyo (JP)

(72) Inventor: **Yohei Yokoyama**, Tokyo (JP)

(73) Assignee: **JAPAN AVIATION ELECTRONICS INDUSTRY, LIMITED**, Tokyo (JP)

(**) Term: **15 Years**

(21) Appl. No.: **29/555,060**

(22) Filed: **Feb. 18, 2016**

(30) **Foreign Application Priority Data**

Sep. 3, 2015 (JP) 2015-019517

(51) **LOC (10) Cl.** **13-03**

(52) **U.S. Cl.**
USPC **D13/147**

(58) **Field of Classification Search**
USPC D13/146, 147, 154, 184, 199; D14/432, D14/433, 435.1
CPC .. H01R 24/60; H01R 24/70; H01R 13/5205; H01R 13/5219; H01R 13/642; H01R 13/6471; H01R 13/6581; H01R 13/6582; H01R 13/6285; H01R 13/6591; H01R 13/6596

See application file for complete search history.

(56) **References Cited**

U.S. PATENT DOCUMENTS

D516,519 S * 3/2006 Nishio D13/147
D517,491 S * 3/2006 Nishio D13/147
D517,993 S * 3/2006 Su D13/147
D518,790 S * 4/2006 Nishio D13/147
D732,478 S * 6/2015 Kang D13/147

D744,428 S * 12/2015 Rodriguez D13/147
2015/0364871 A1* 12/2015 Lin H01R 13/6581
439/607.58
2016/0134056 A1* 5/2016 Chen H01R 13/642
439/217
2016/0156114 A1* 6/2016 Kao H05K 1/111
439/83

* cited by examiner

Primary Examiner — Daniel Bui

(74) *Attorney, Agent, or Firm* — Manabu Kanesaka

(57) **CLAIM**

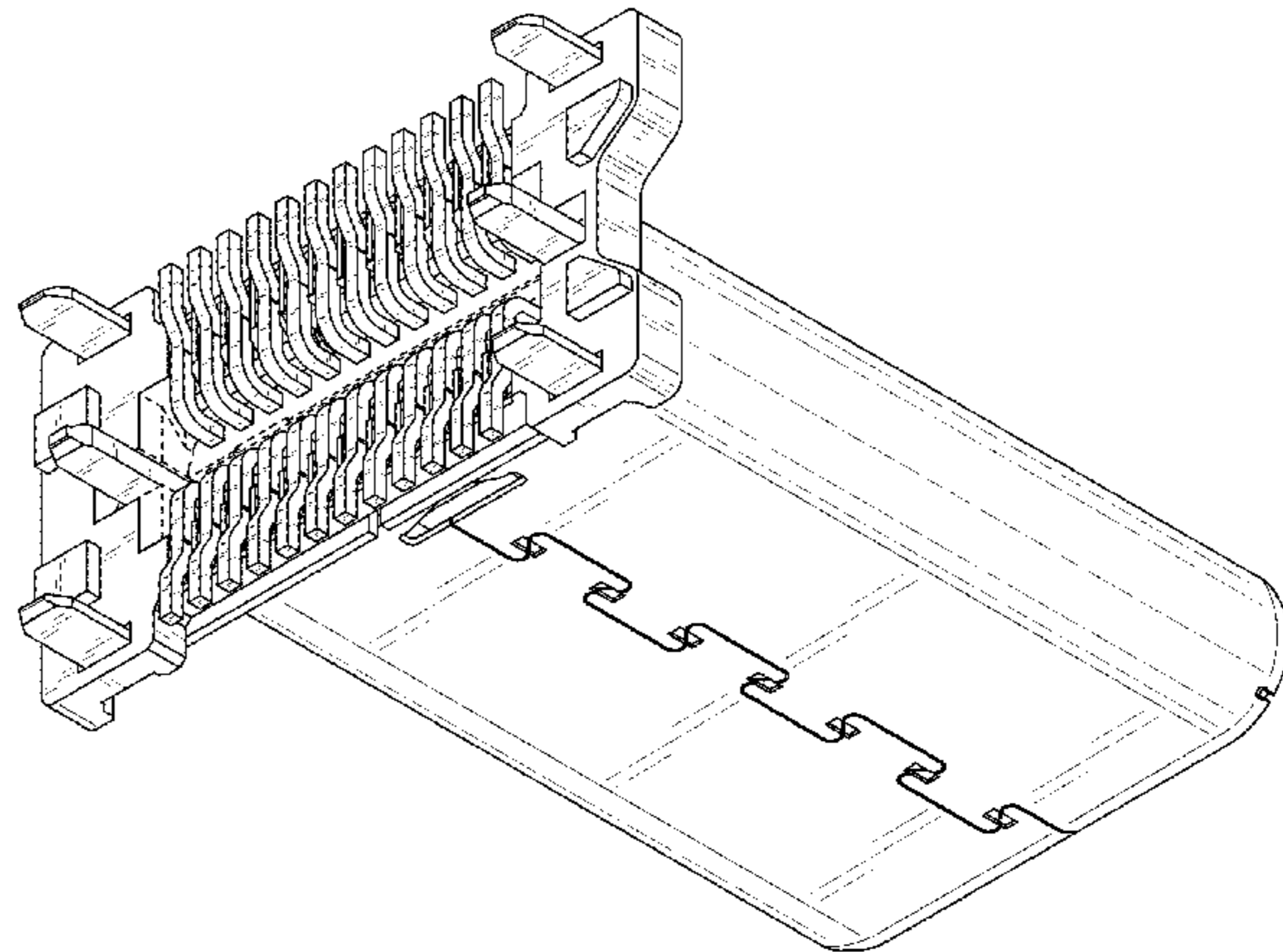
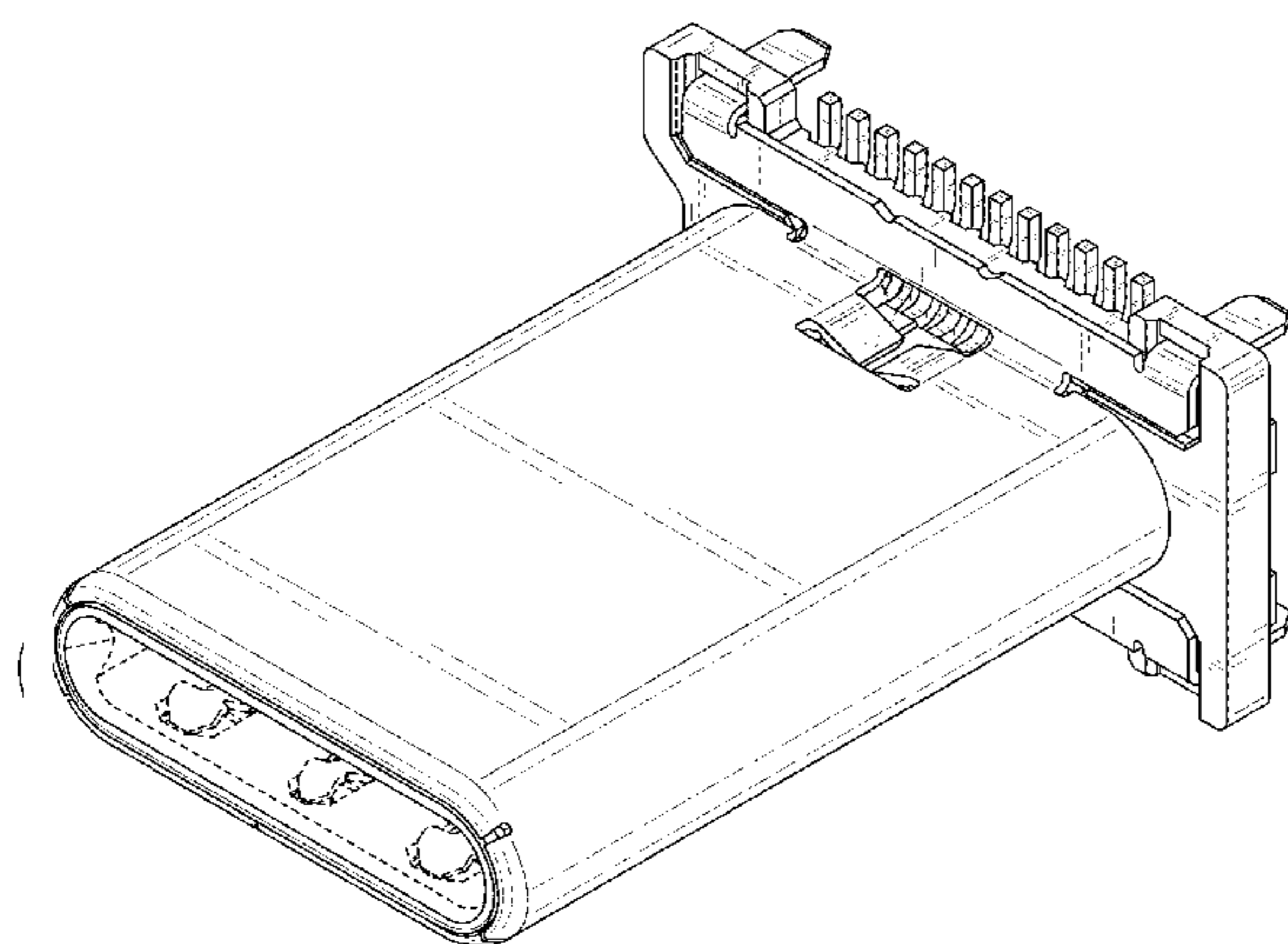
The ornamental design for an electrical connector, as shown and described.

DESCRIPTION

FIG. 1 is a front elevational view of an electrical connector showing my new design;
FIG. 2 is a rear elevational view thereof;
FIG. 3 is a right side elevational view thereof;
FIG. 4 is a left side elevational view thereof;
FIG. 5 is a top plan view thereof;
FIG. 6 is a bottom plan view thereof;
FIG. 7 is a perspective view showing a front, top and right side thereof;
FIG. 8 is a perspective view showing a rear, bottom and left side thereof;
FIG. 9 is a perspective view showing a front, right side and bottom thereof; and,
FIG. 10 is a perspective view showing a rear, left side and top thereof.

The broken lines are shown for environmental purposes only and depict portions of the electrical connector that form no part of claimed design.

1 Claim, 8 Drawing Sheets



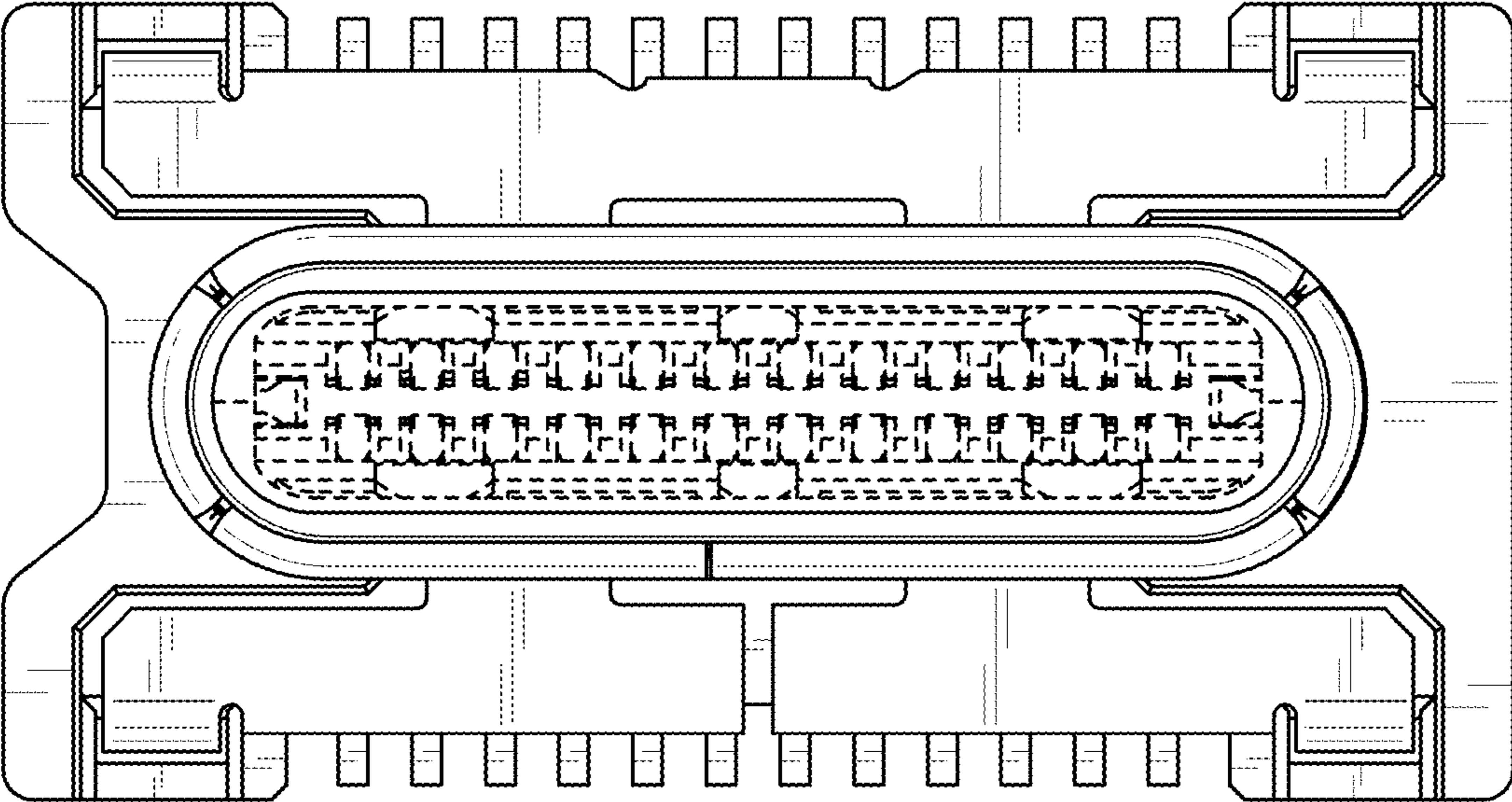


FIG. 1

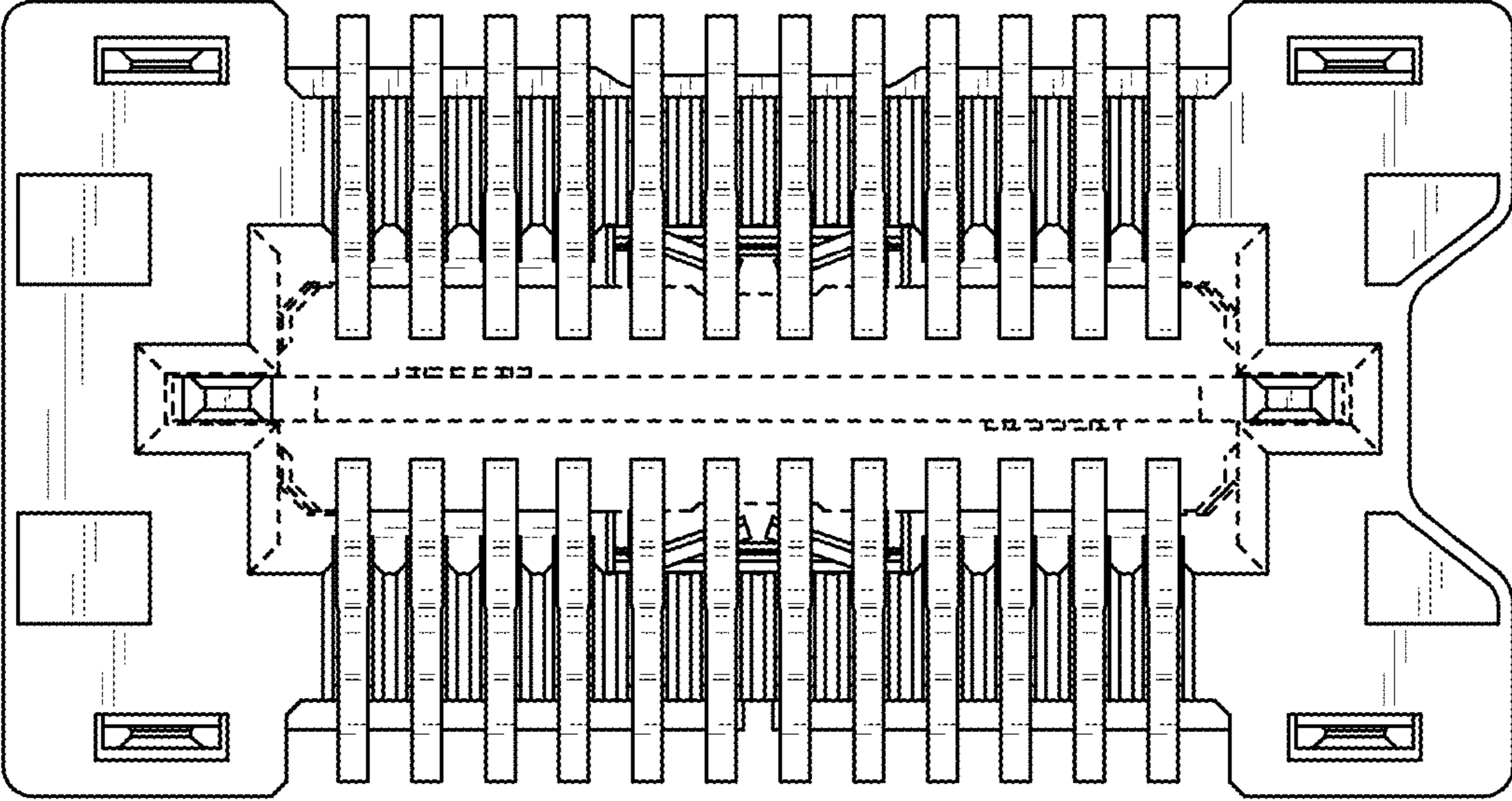


FIG. 2

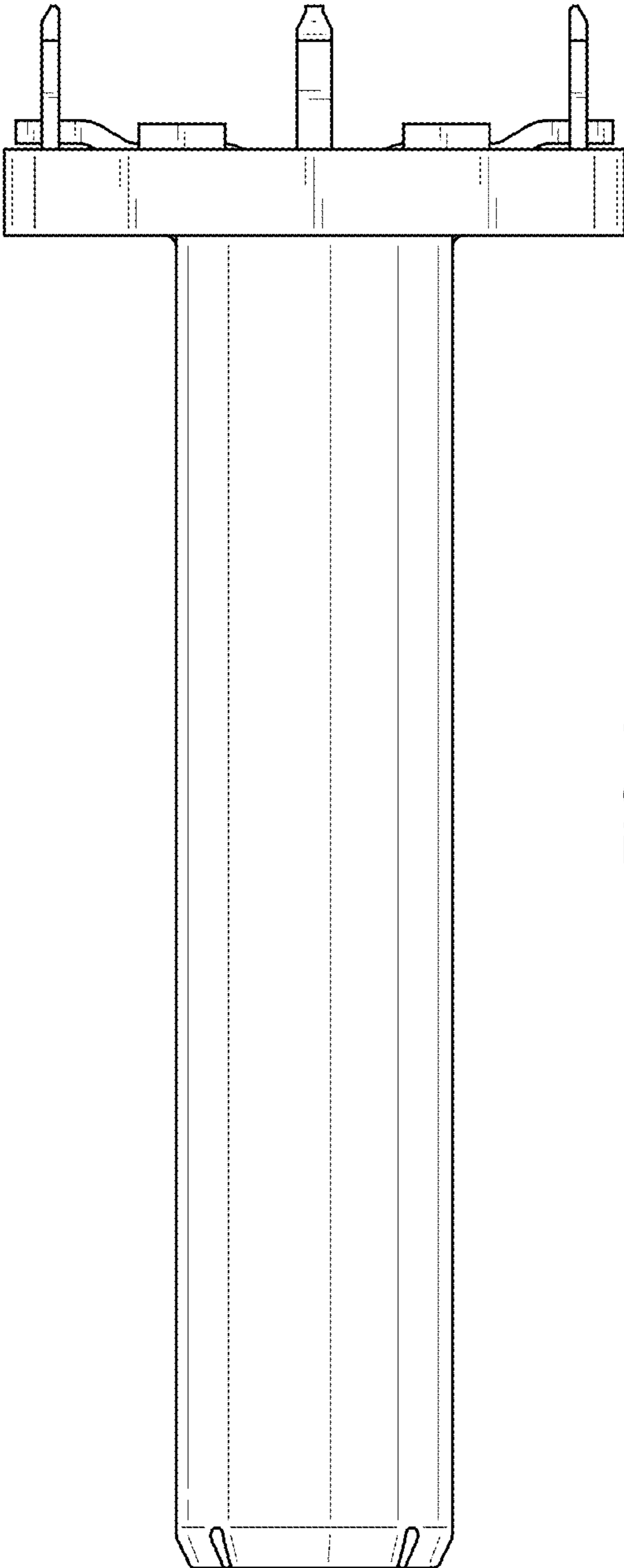


FIG. 3

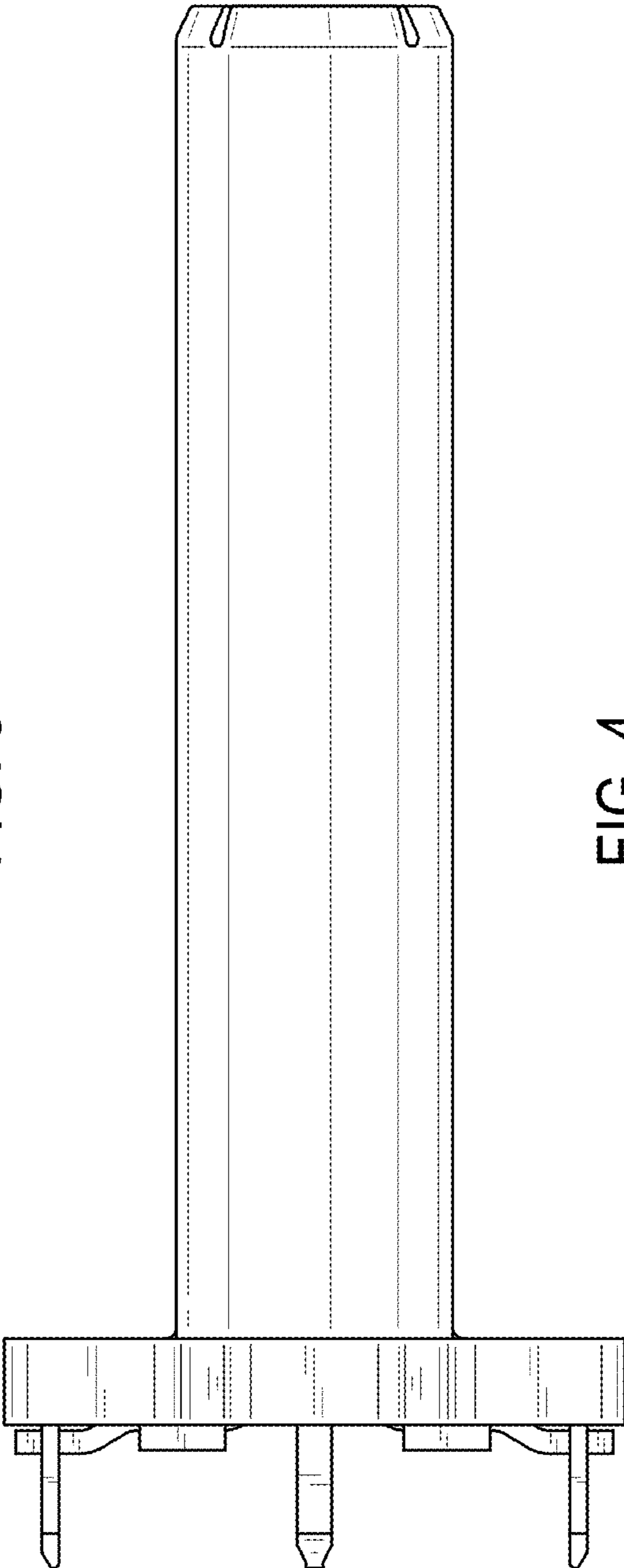


FIG. 4

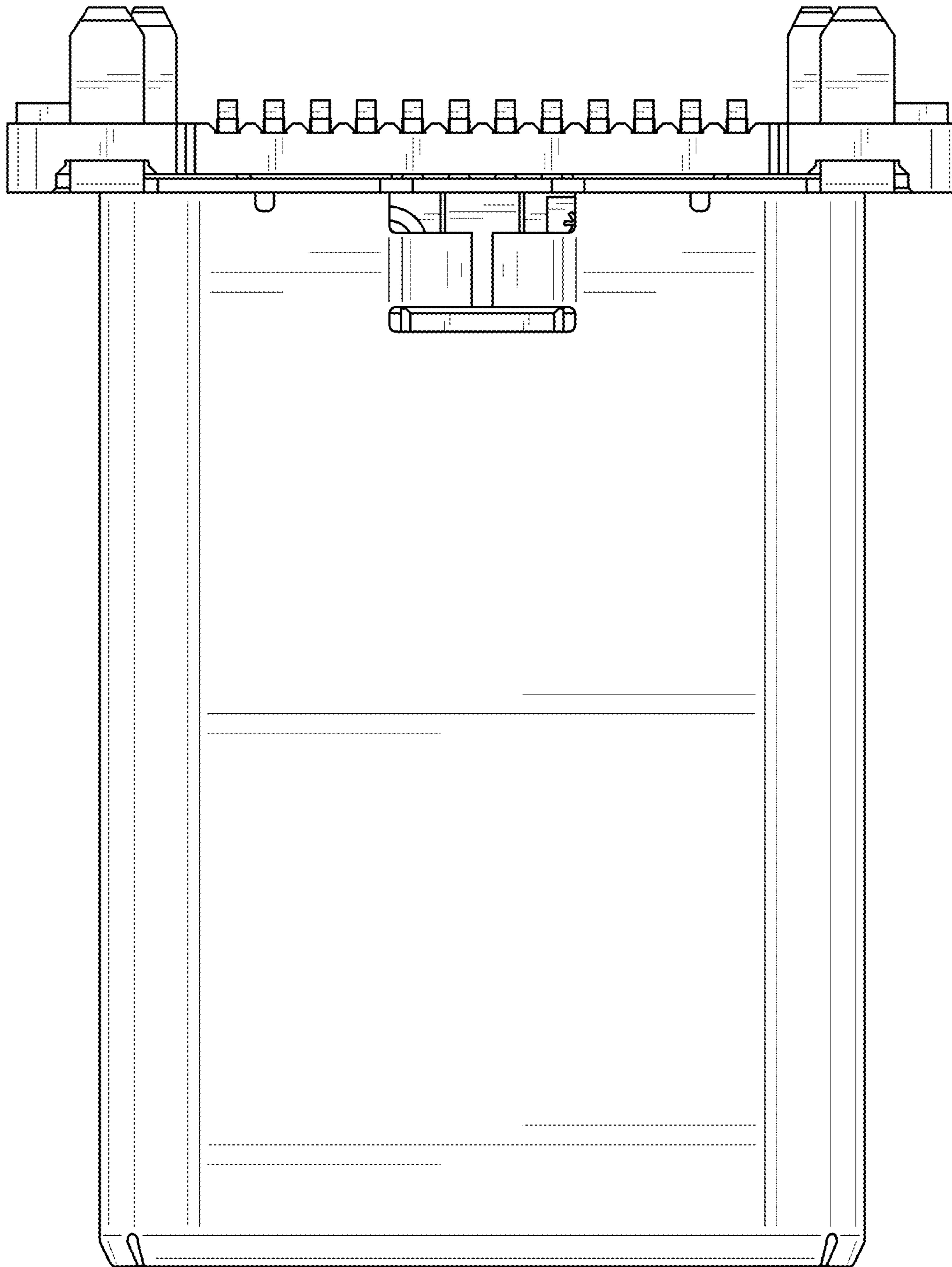


FIG. 5

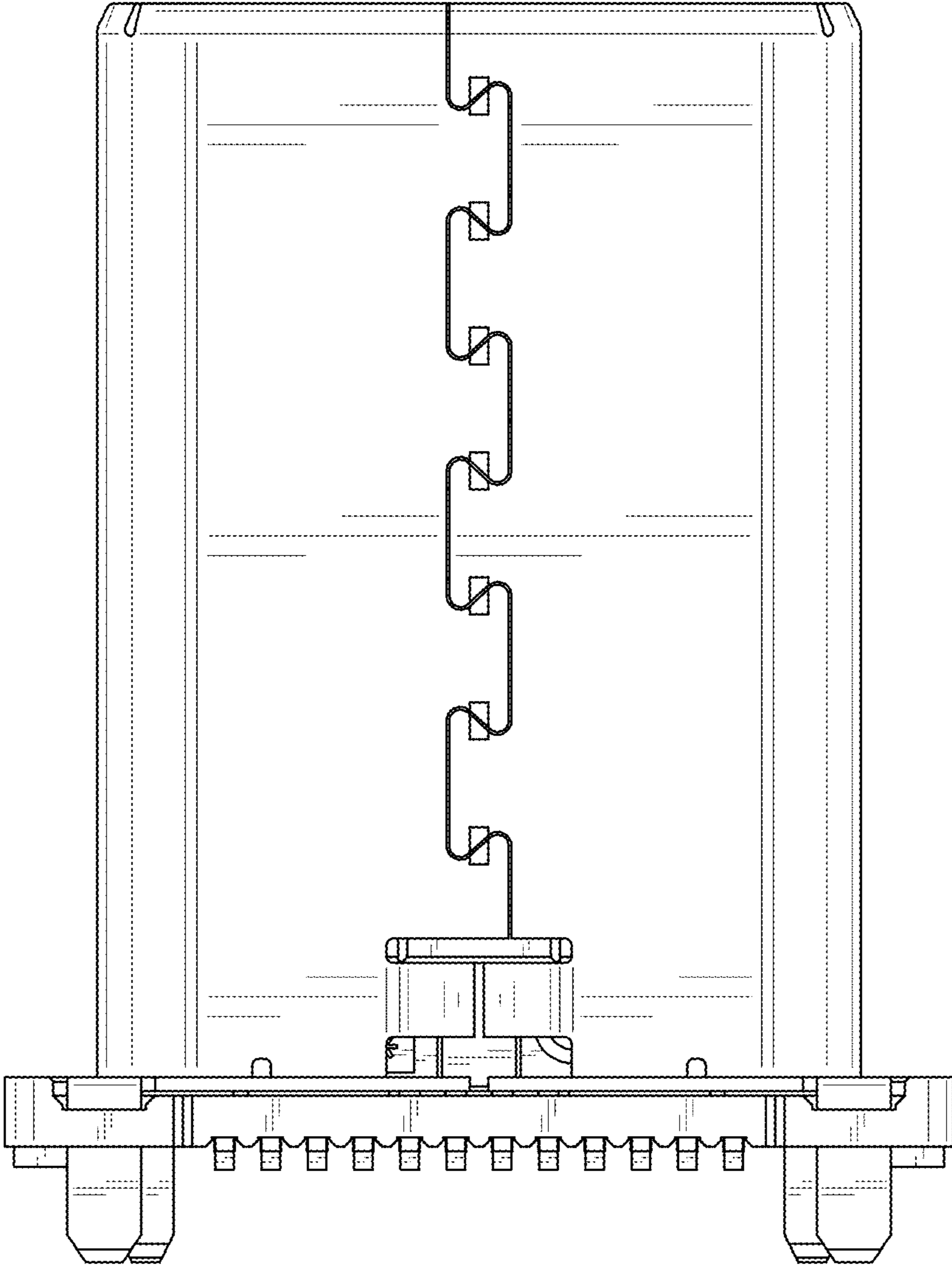


FIG. 6

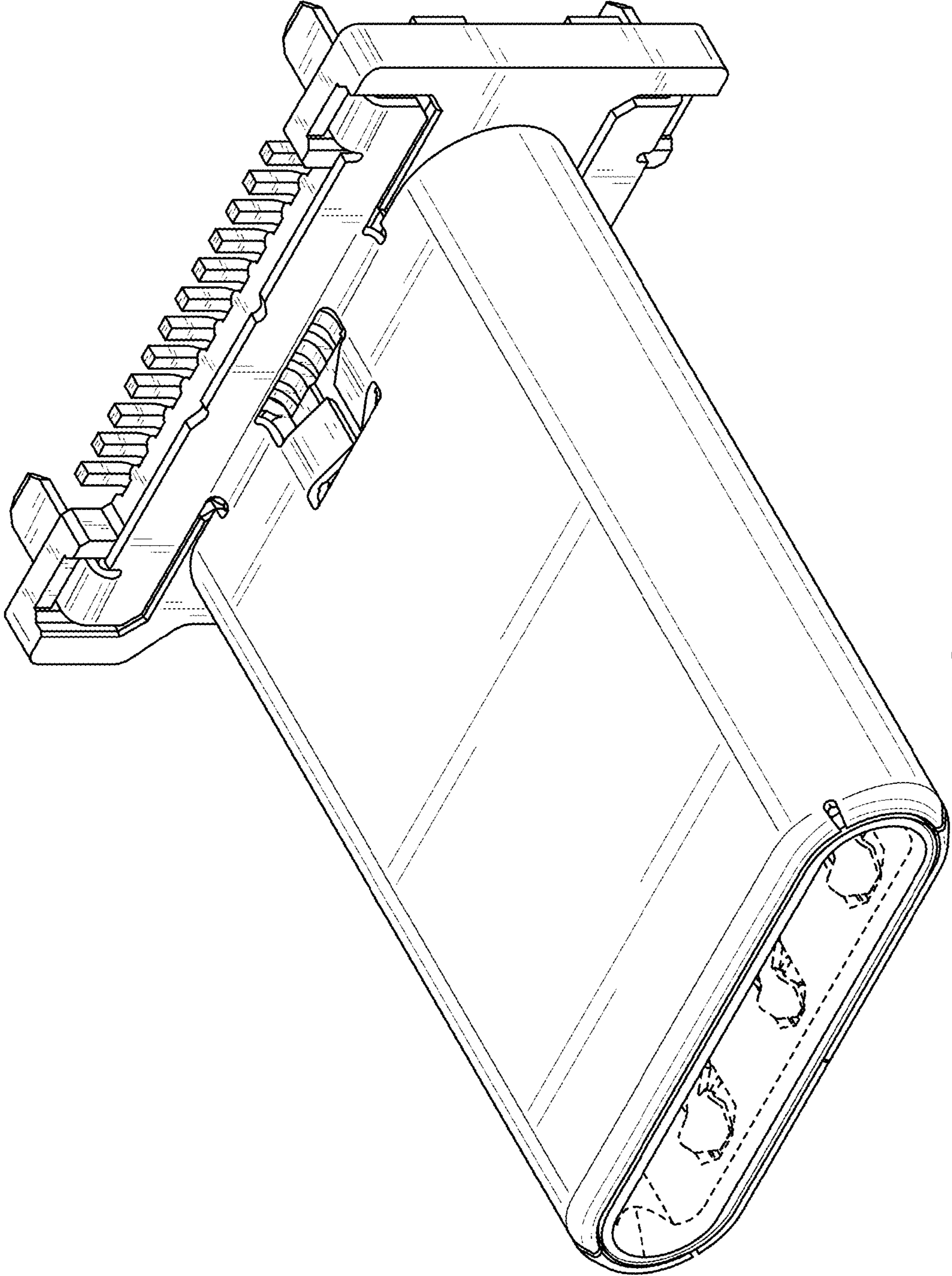


FIG. 7

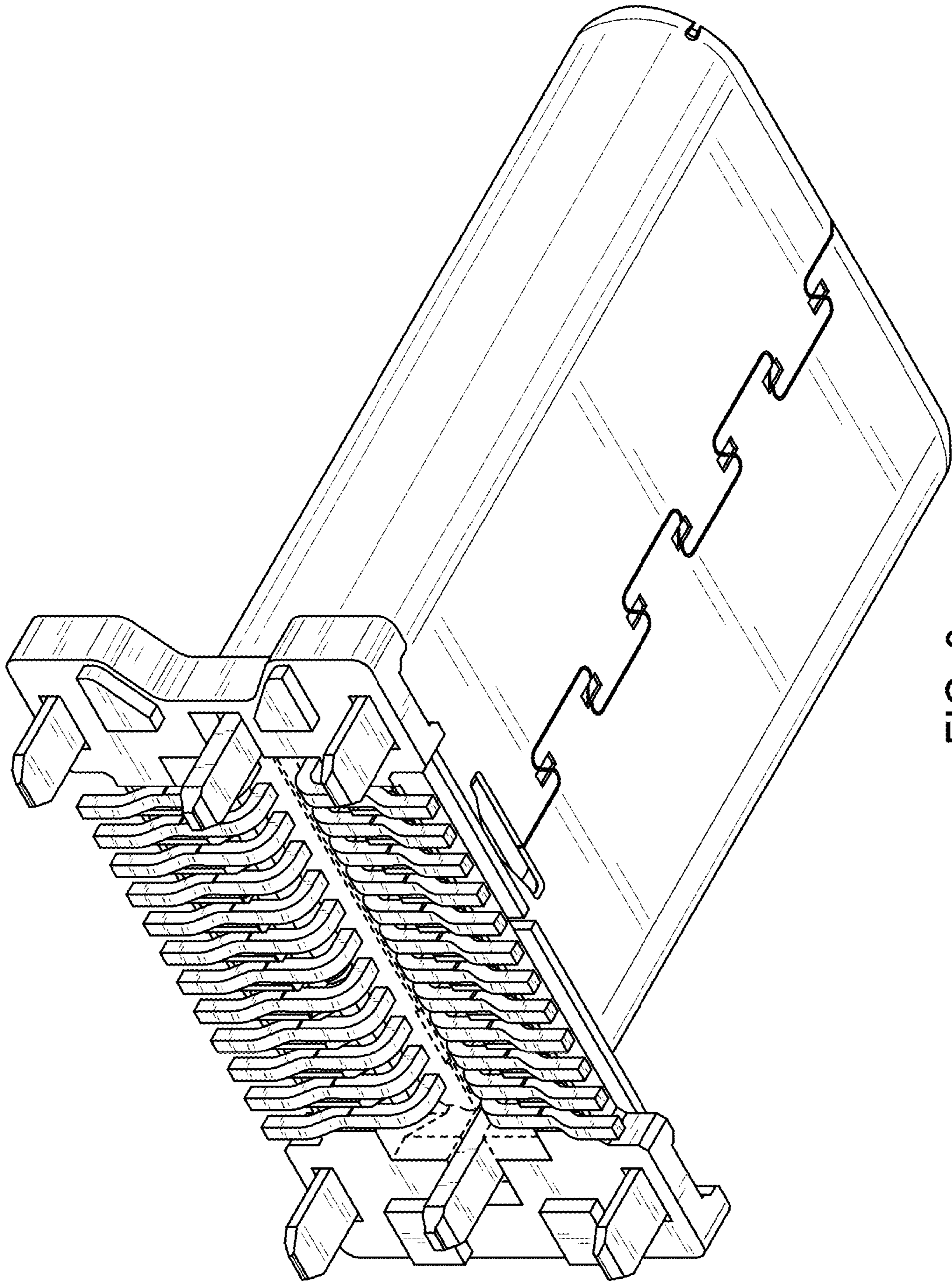


FIG. 8

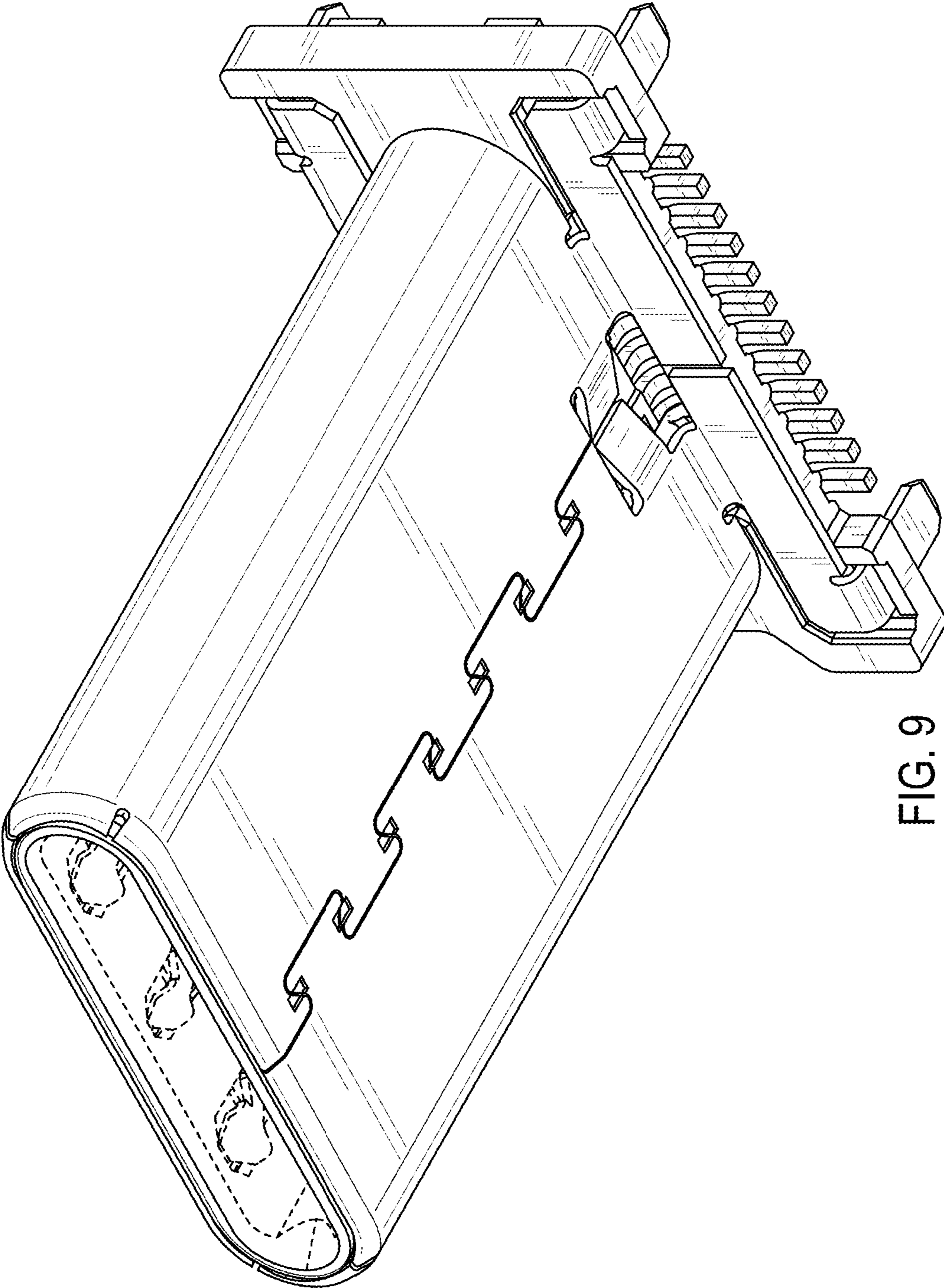


FIG. 9

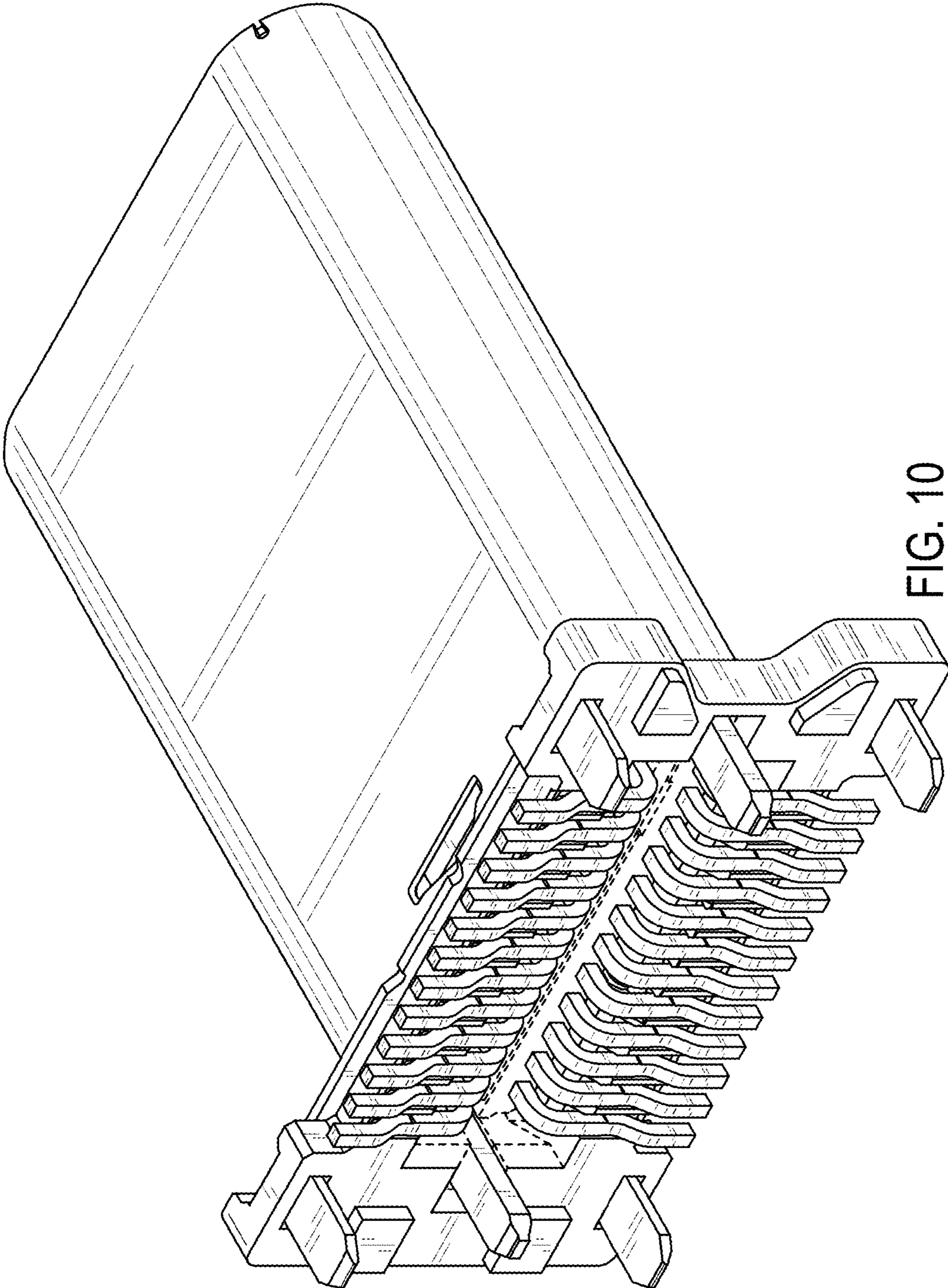


FIG. 10