



US00D769194S

(12) **United States Design Patent** (10) **Patent No.:** **US D769,194 S**
Greig et al. (45) **Date of Patent:** **** *Oct. 18, 2016**

(54) **MAGNETIC PLUG**

(71) Applicant: **Phitek Systems Limited**, Auckland (NZ)

(72) Inventors: **Nigel Greig**, Auckland (NZ); **Edward Scholton**, Auckland (NZ); **William James Sim**, Auckland (NZ)

(*) Notice: This patent is subject to a terminal disclaimer.

(**) Term: **14 Years**

(21) Appl. No.: **29/432,802**

(22) Filed: **Sep. 20, 2012**

(30) **Foreign Application Priority Data**

Mar. 20, 2012 (NZ) 416018
Mar. 20, 2012 (NZ) 416019
Mar. 20, 2012 (NZ) 416021
Mar. 20, 2012 (NZ) 416022

(51) **LOC (10) Cl.** **13-03**

(52) **U.S. Cl.**
USPC **D13/147**

(58) **Field of Classification Search**
USPC D13/133, 146, 147, 154, 184, 199;
D14/432, 433, 435, 435.1, 436, 437,
D14/438; 439/180, 246, 252, 278, 374, 378,
439/379, 380, 381, 527, 529, 530, 533, 892,
439/894

See application file for complete search history.

(56) **References Cited**

U.S. PATENT DOCUMENTS

D318,648 S * 7/1991 Collins D13/144
D454,542 S 3/2002 Nakashima et al.
D456,358 S 4/2002 Niklander et al.
D478,550 S * 8/2003 Garver D13/146

D498,462 S * 11/2004 Andre et al. D13/146
D602,434 S * 10/2009 Mancari et al. D13/139.1
D604,697 S 11/2009 Sogo et al.
D609,184 S 2/2010 Liu
D616,826 S 6/2010 Ebihara
D622,220 S 8/2010 Huang et al.
D627,730 S 11/2010 Huang et al.
D643,815 S 8/2011 Mark et al.
D702,639 S * 4/2014 Ruffner D13/139.1
2002/0072275 A1* 6/2002 Arai 439/680
2003/0174848 A1* 9/2003 Hoagland 381/74
2004/0209489 A1 10/2004 Clapper
2006/0166539 A1* 7/2006 Corey et al. 439/222
2011/0003505 A1 1/2011 Greig et al.
2011/0124218 A1 5/2011 Huang
2011/0201228 A1 8/2011 Schumacher et al.
2012/0315771 A1 12/2012 Greig et al.

FOREIGN PATENT DOCUMENTS

EP 2469663 6/2012

OTHER PUBLICATIONS

U.S. Appl. No. 29/432,801, filed Sep. 20, 2012.
U.S. Appl. No. 29/432,799, filed Sep. 20, 2012.
U.S. Appl. No. 13/847,268, filed Mar. 19, 2013.

* cited by examiner

Primary Examiner — Daniel Bui

(74) *Attorney, Agent, or Firm* — Jackson Walker LLP

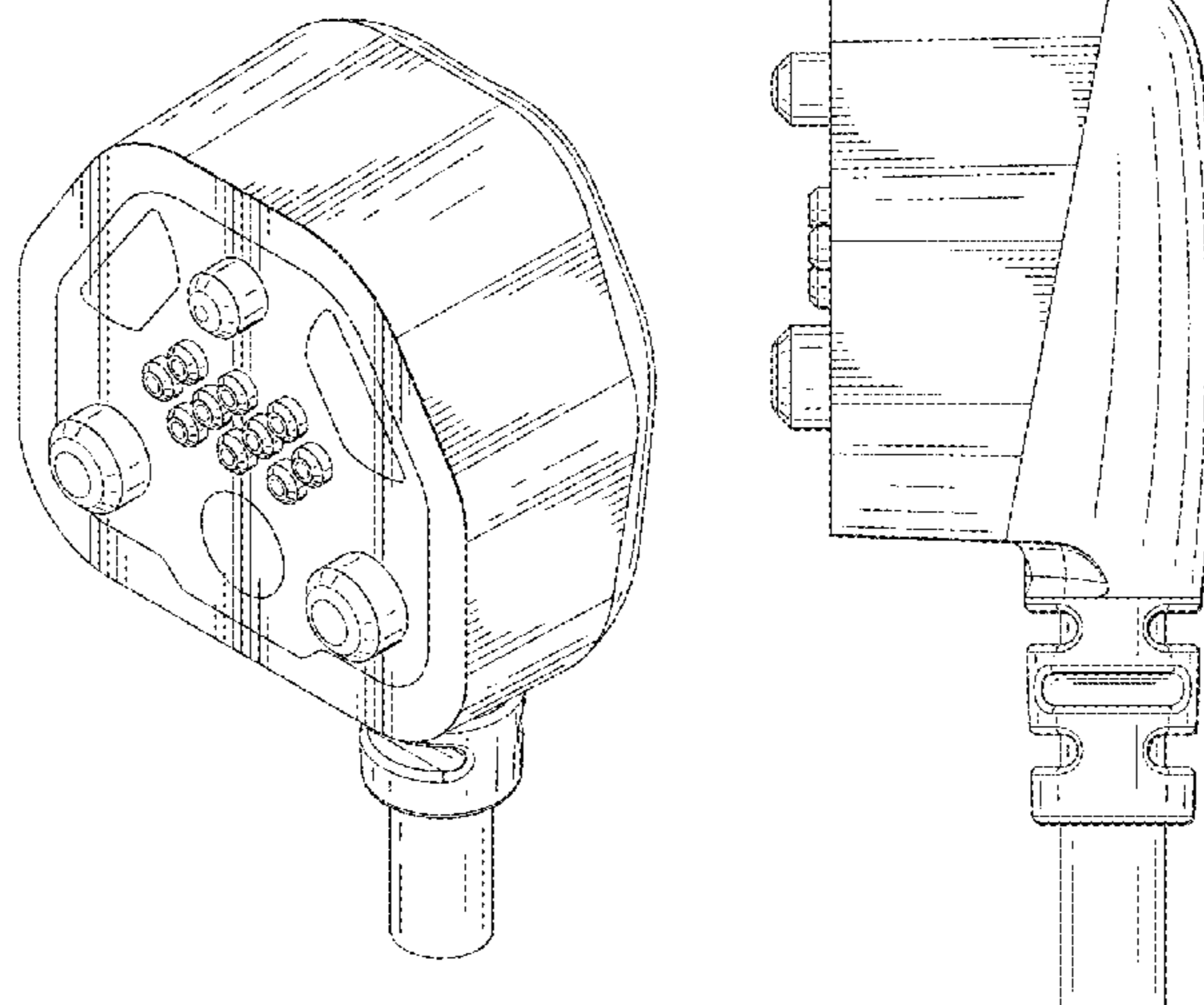
(57) **CLAIM**

The ornamental design for a magnetic plug, as shown and described.

DESCRIPTION

FIG. 1 is a perspective view of a magnetic plug showing our new design;
FIG. 2 is a front elevational view thereof; and,
FIG. 3 is a left side elevational view thereof, the left and right side elevational views being the same.

1 Claim, 1 Drawing Sheet



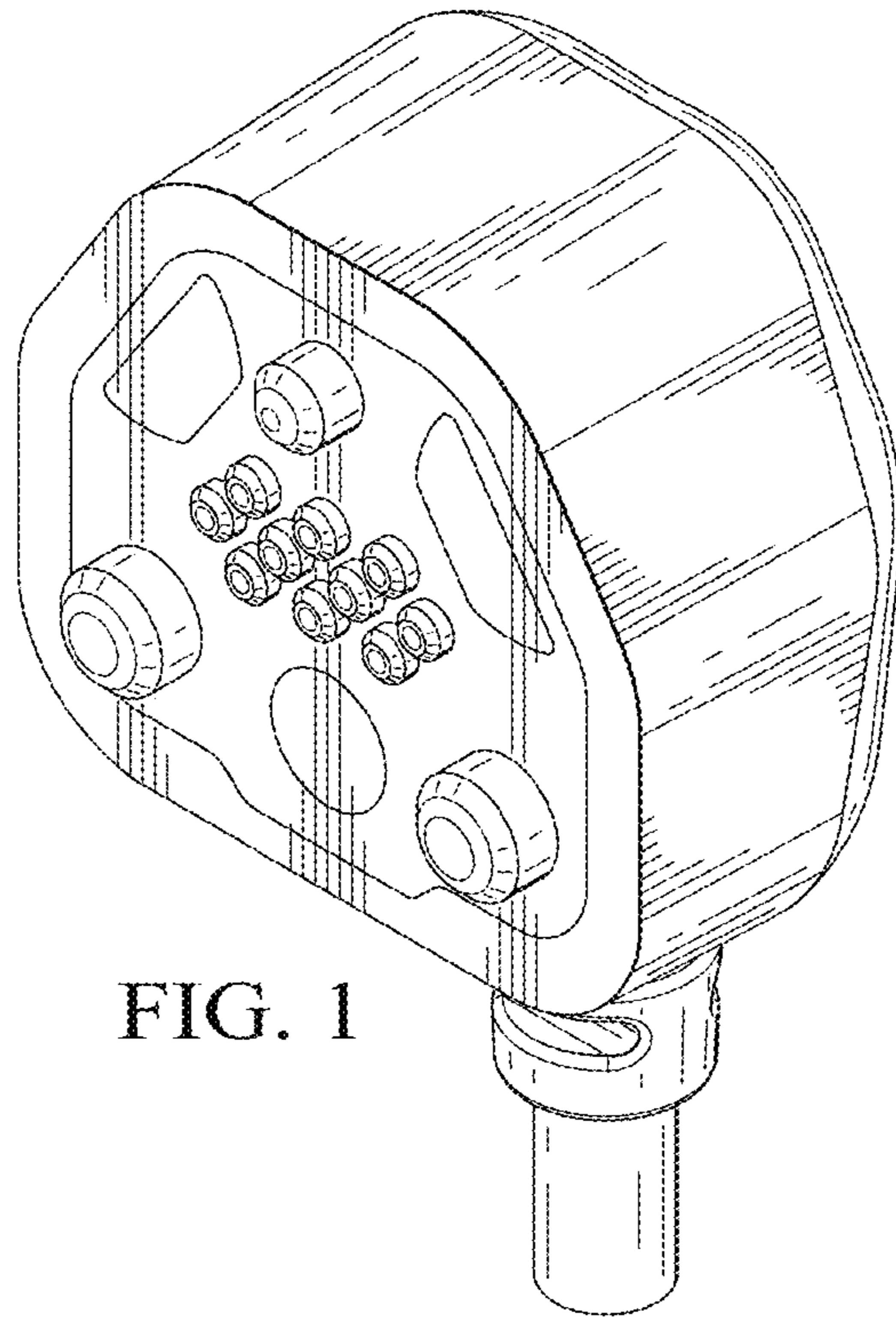


FIG. 1

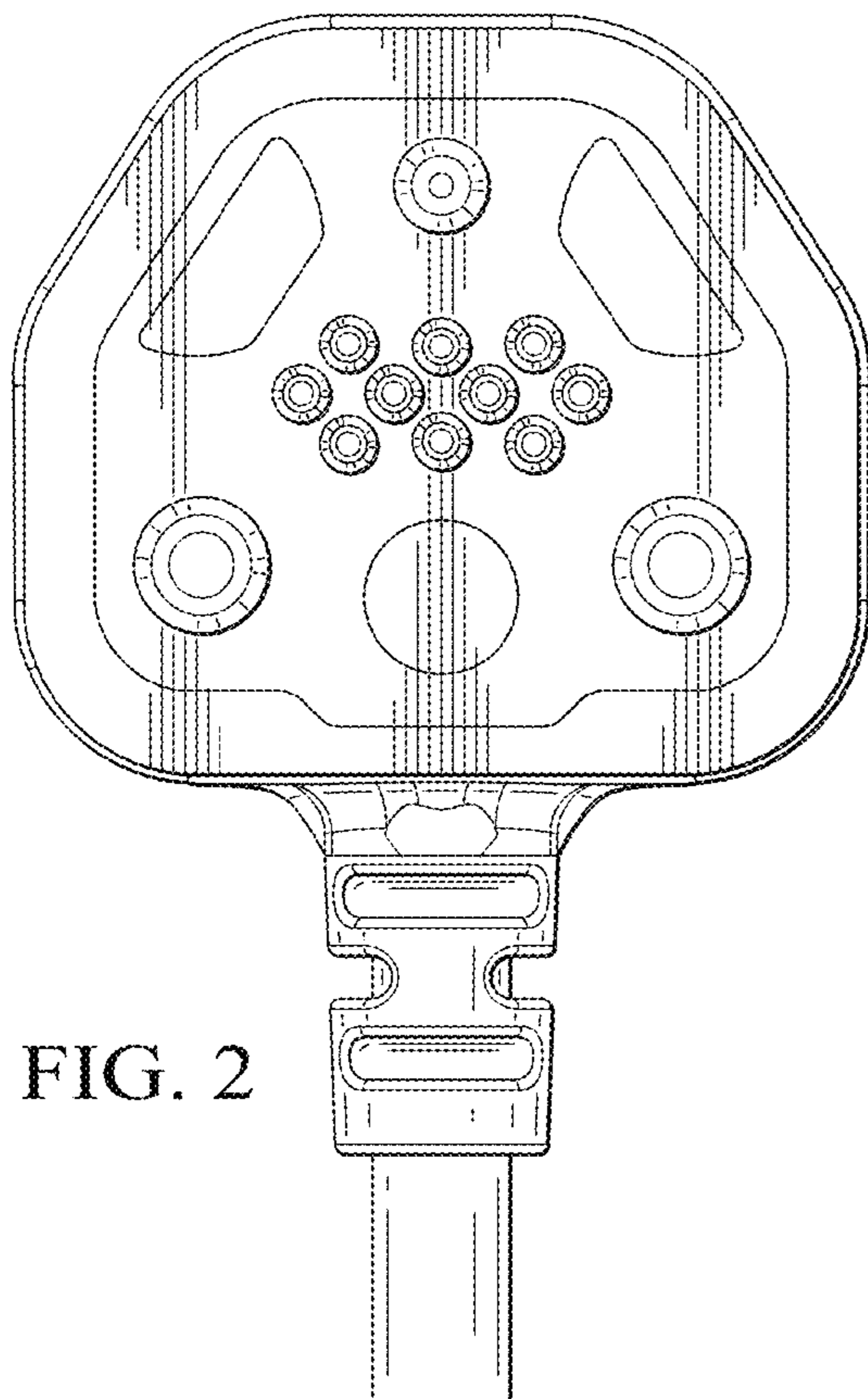


FIG. 2

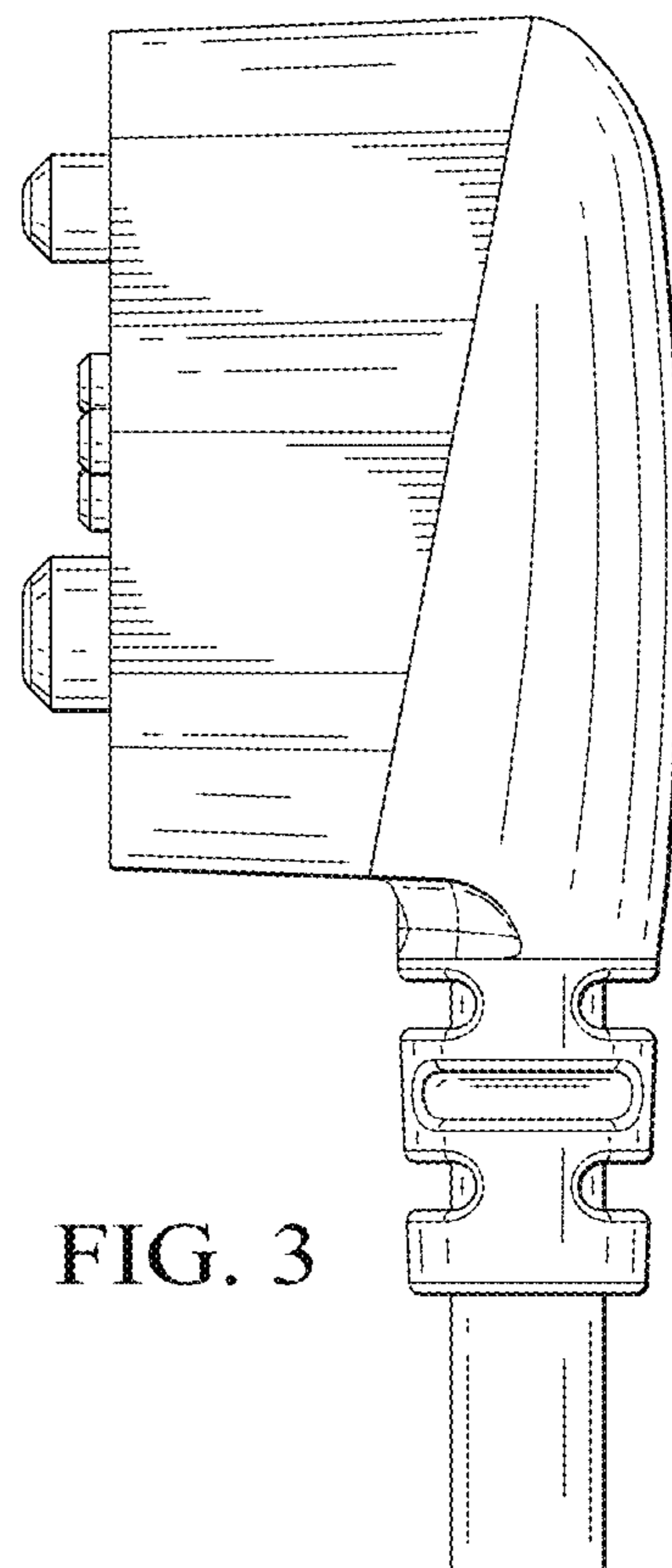


FIG. 3