



US00D769193S

(12) **United States Design Patent** (10) **Patent No.:** **US D769,193 S**
Willette (45) **Date of Patent:** **** Oct. 18, 2016**

(54) **COMMERCIAL MALE KEYED LAMP PLUG**

(71) Applicant: **Christopher C. Willette**, Tequesta, FL (US)

(72) Inventor: **Christopher C. Willette**, Tequesta, FL (US)

(**) Term: **14 Years**

(21) Appl. No.: **29/508,359**

(22) Filed: **Nov. 5, 2014**

(51) **LOC (10) Cl.** **13-03**

(52) **U.S. Cl.**
USPC **D13/134**

(58) **Field of Classification Search**
USPC D13/101, 103, 110, 118, 123, 133-136, D13/146, 147, 149, 151-156, 173, 182, 184, D13/199; D26/1-3, 27, 113, 142
CPC A61L 9/20; B01J 19/12; F21S 8/00; F21V 19/00; H01H 85/00; H01J 5/48; H01J 5/50; H01J 5/54; H01J 19/48; H01R 4/24; H01R 13/00; H01R 13/66; H01R 24/00; H01R 33/00; H01R 33/05; H01R 33/08

See application file for complete search history.

(56) **References Cited**

U.S. PATENT DOCUMENTS

2,925,511 A *	2/1960	Skellett	H01J 1/30 313/1
D289,206 S	4/1987	Scoville, Jr. et al.	
D296,325 S *	6/1988	Hugin	D13/133
D316,611 S	4/1991	Spina	
D452,214 S	12/2001	Vieno et al.	
D459,301 S *	6/2002	Fan Wong	D13/133
D487,252 S	3/2004	Schweitzer	
D518,778 S	4/2006	Wardenburg	
D527,346 S	8/2006	Brodin	
D537,414 S *	2/2007	Saito	D13/146
D542,735 S	5/2007	Keilholz et al.	
D546,762 S	7/2007	Kovacs	

D547,724 S	7/2007	Ciancanelli et al.	
D558,673 S	1/2008	Easley	
D577,337 S *	9/2008	Zayas	D13/134
D583,761 S	12/2008	Schenck	
D585,837 S	2/2009	Kuehne et al.	
D593,706 S	6/2009	Zayas et al.	
D616,822 S	6/2010	Zayas	
D625,438 S	10/2010	Lai et al.	
D632,833 S	2/2011	Lee	

(Continued)

Primary Examiner — Thomas Johannes

Assistant Examiner — Shawn T Gingrich

(74) *Attorney, Agent, or Firm* — Akerman LLP; Michael K. Dixon

(57) **CLAIM**

The ornamental design for a commercial male keyed lamp plug, as shown and described.

DESCRIPTION

FIG. 1 is a perspective view of a commercial male keyed lamp plug according to the invention.

FIG. 2 is a top view of the commercial male keyed lamp plug of FIG. 1.

FIG. 3 is a front view of the commercial male keyed lamp plug of FIG. 1.

FIG. 4 is a bottom view of the commercial male keyed lamp plug of FIG. 1.

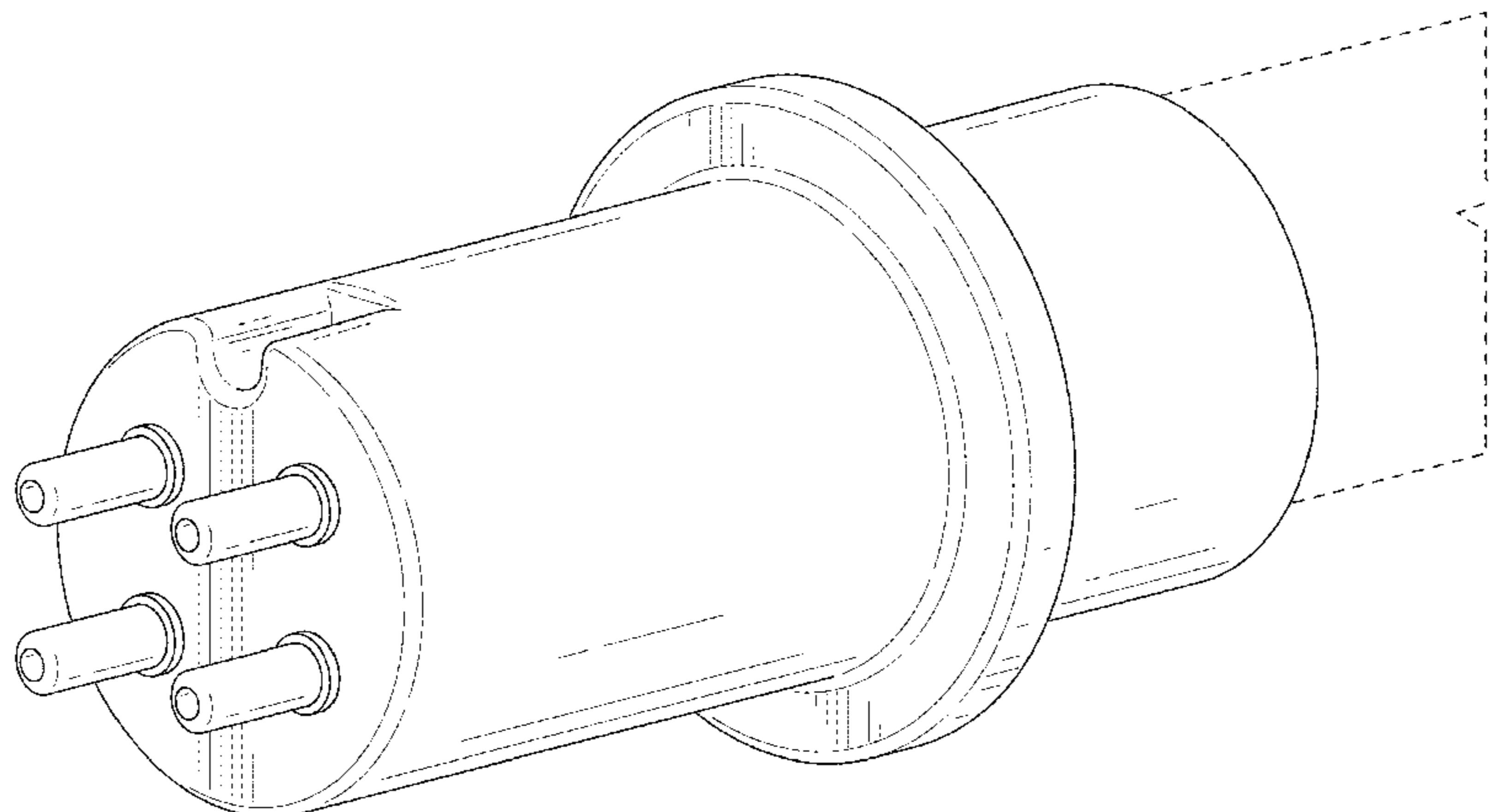
FIG. 5 is a left side view of the commercial male keyed lamp plug of FIG. 1. The right side view is identical to the left side view; and,

FIG. 6 is a rear view of the commercial male keyed lamp plug of FIG. 1.

This design is directed to a commercial male keyed lamp plug for electrical devices.

The broken line portion of the figure drawings is included to show portions of the article that form no part of the claimed design. The symbolic break line shown at the rear of the article indicate a symbolic break in its length, the appearance of any portion of the article beyond the break line form no part of the claimed design.

1 Claim, 6 Drawing Sheets



(56)

References Cited

U.S. PATENT DOCUMENTS

D638,572 S 5/2011 Lee
D647,226 S 10/2011 Huang et al.
D679,413 S 4/2013 Bucher et al.
D694,189 S 11/2013 Ledinger et al.
D700,577 S 3/2014 Ding et al.
D709,643 S * 7/2014 Kohler D26/138
9,062,870 B2 6/2015 Hoang
D751,506 S * 3/2016 Liu D13/134

2004/0150998 A1* 8/2004 Fan F21S 4/10
362/267
2005/0052867 A1 3/2005 Wardenburg
2008/0076281 A1* 3/2008 Ciancanelli H01R 13/6275
439/133
2008/0188131 A1* 8/2008 Zayas H01J 5/54
439/617
2009/0156037 A1* 6/2009 Zayas H01R 13/6275
439/232
2013/0340460 A1* 12/2013 Andros A61L 9/20
62/264

* cited by examiner

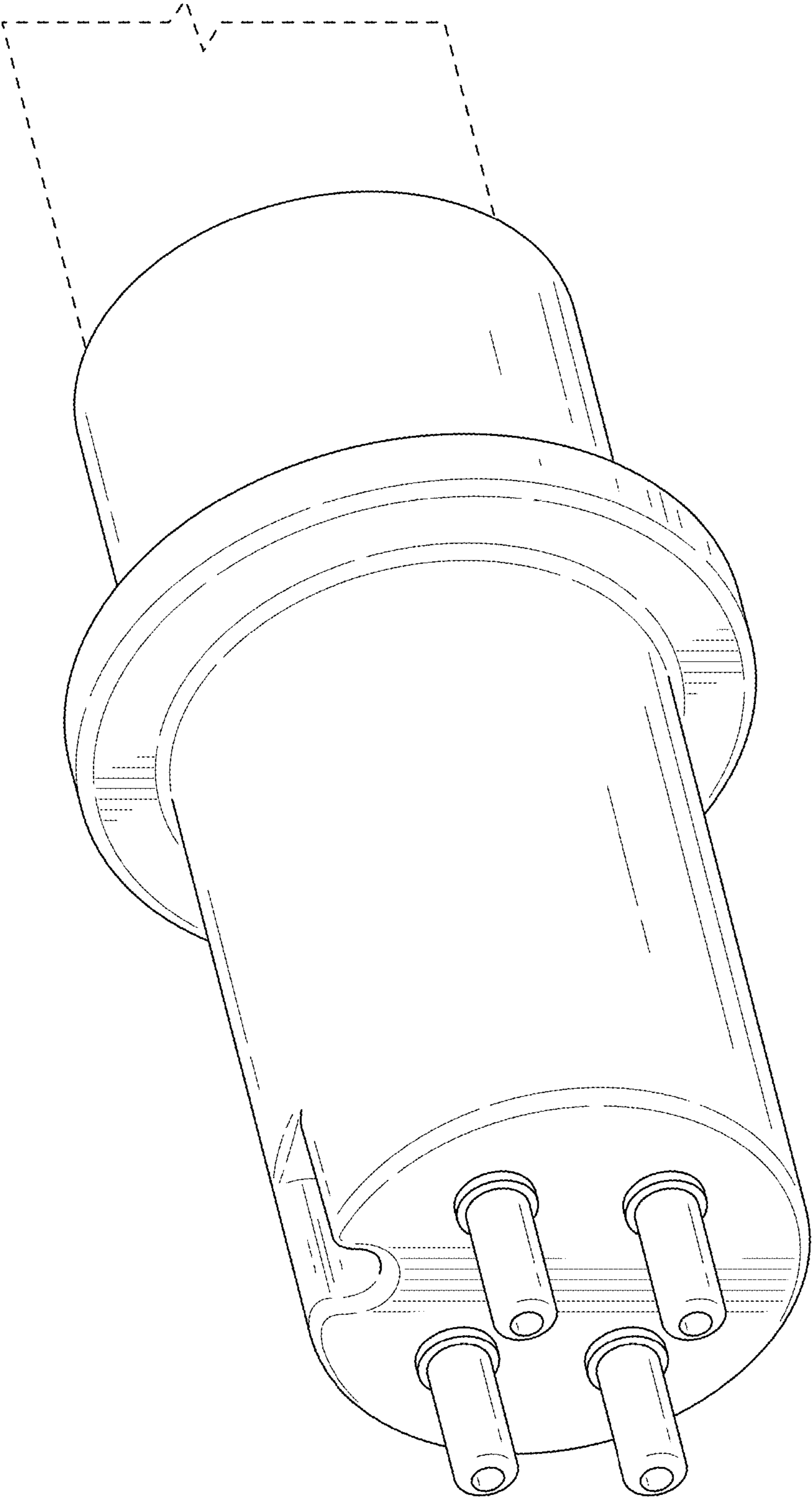


FIG. 1

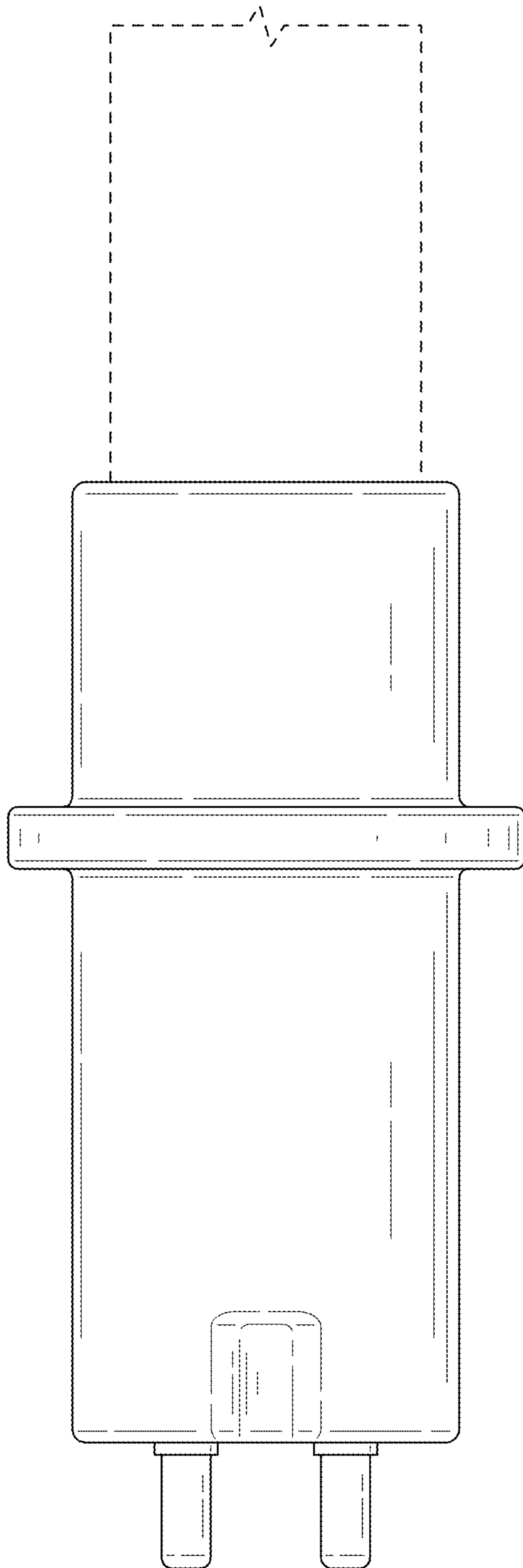


FIG. 2

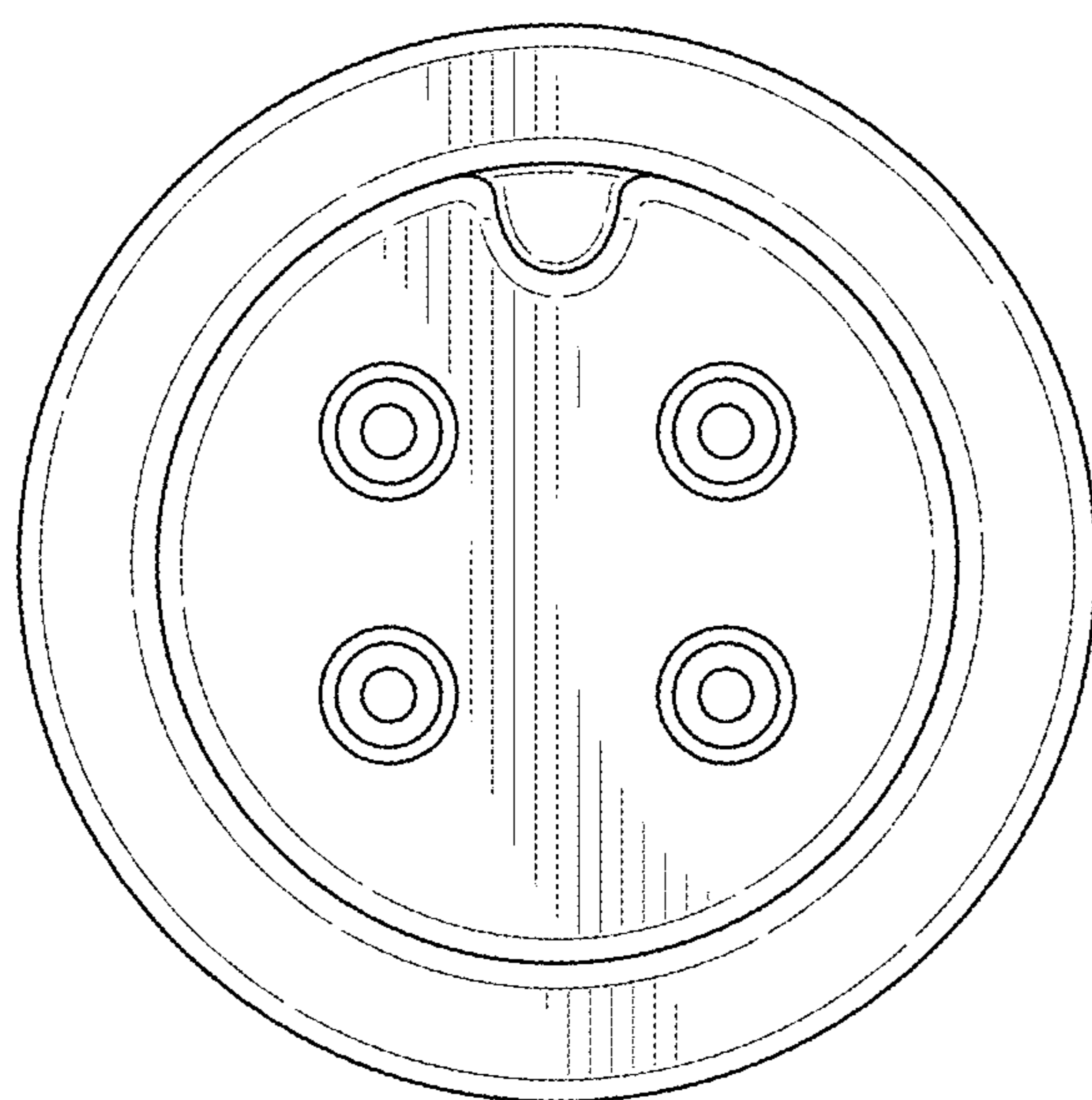


FIG. 3

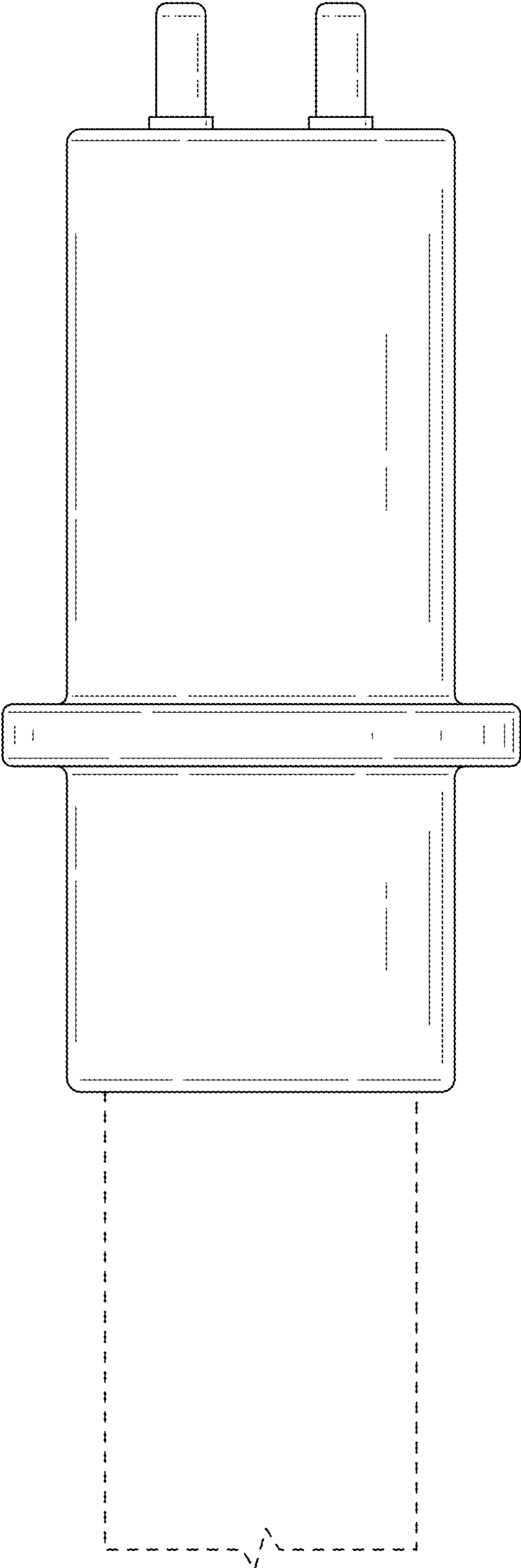


FIG. 4

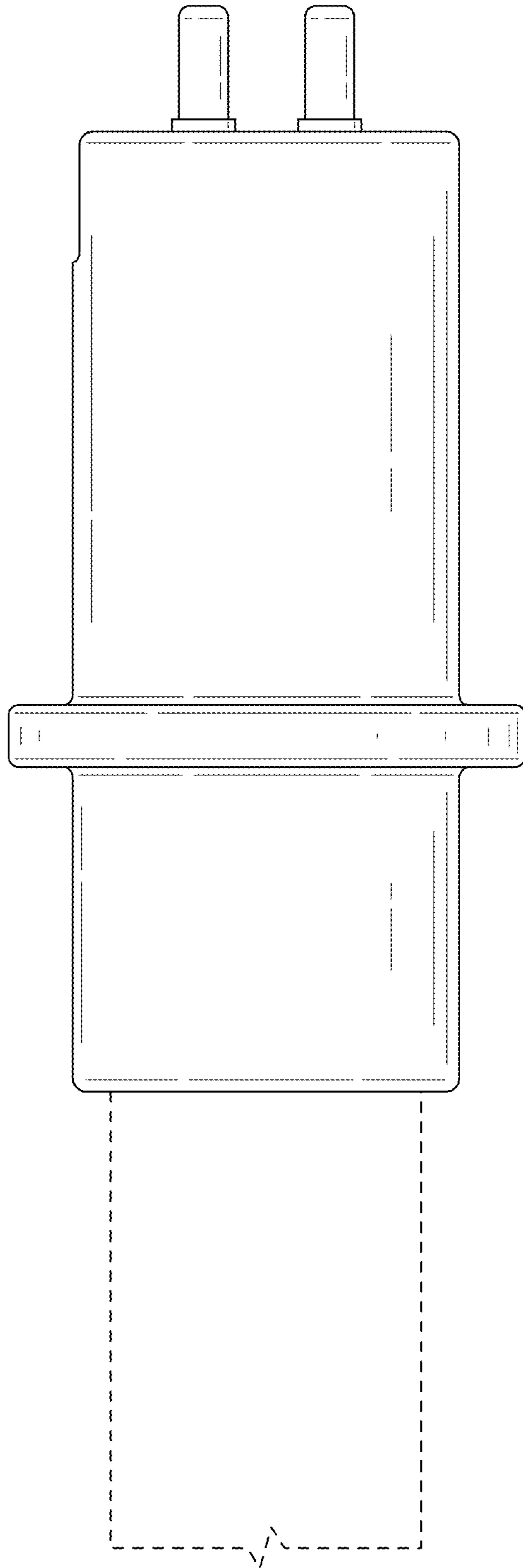


FIG. 5

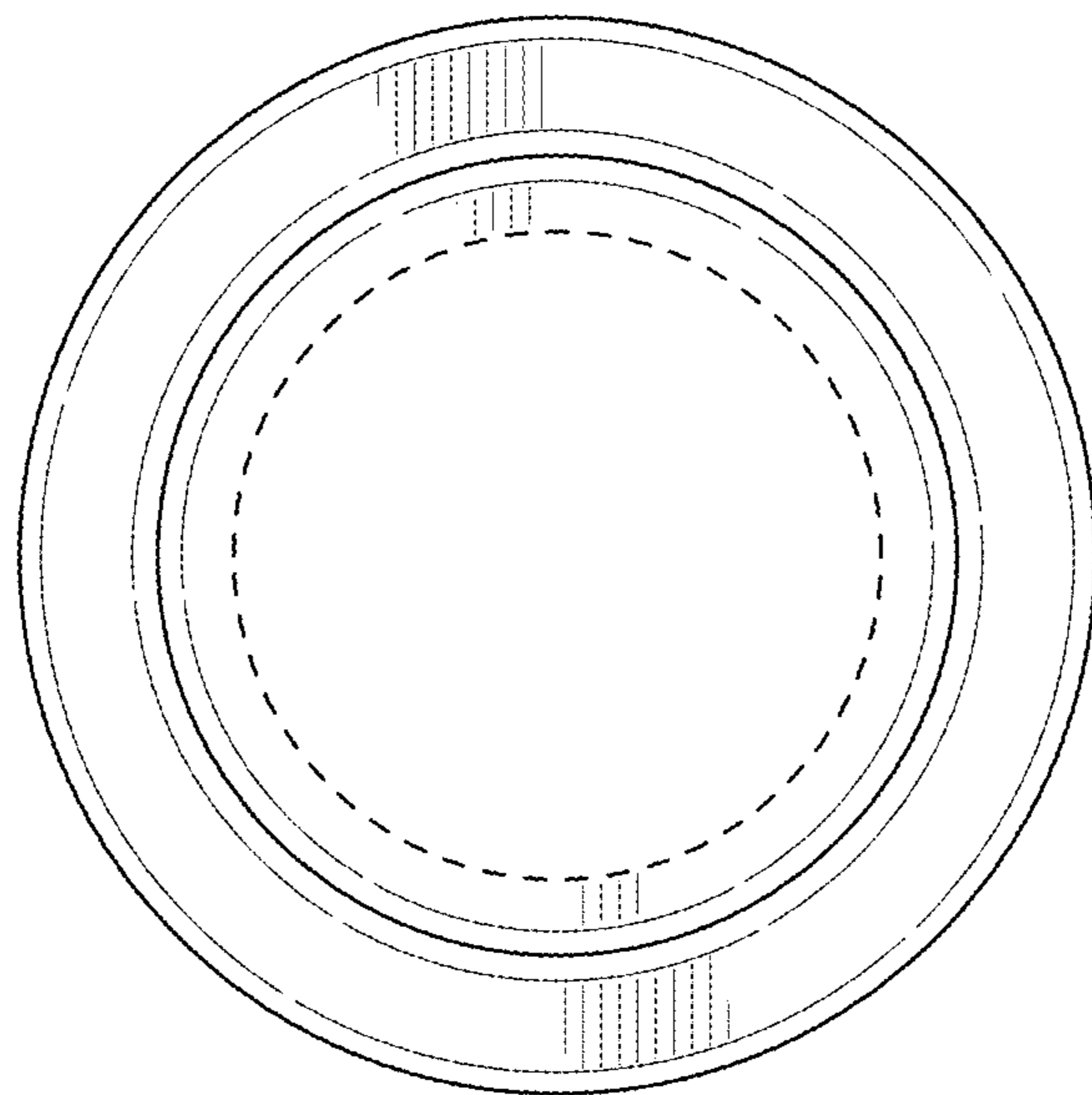


FIG. 6