



US00D769191S

(12) **United States Design Patent** (10) **Patent No.:** **US D769,191 S**
Vohlgemuth et al. (45) **Date of Patent:** **** *Oct. 18, 2016**

(54) **ALTERNATOR**

(56) **References Cited**

(71) Applicant: **MOTEURS LEROY-SOMER**,
Angouleme (FR)

U.S. PATENT DOCUMENTS

(72) Inventors: **Patrick Vohlgemuth**, La
Rochefoucauld (FR); **Richard Barbier**,
Roullet St Estephe (FR); **Pierre Matta**,
Angouleme (FR); **Serge Dagois**,
Angouleme (FR)

D236,985	S	*	9/1975	Baumann	D13/112
D314,550	S	*	2/1991	Sieber	D13/112
D336,890	S	*	6/1993	Hirose et al.	D13/112
5,357,161	A	*	10/1994	Daniels	H02K 5/04 174/50
D386,744	S	*	11/1997	Urvoy	D13/112
D425,020	S	*	5/2000	Becker et al.	D13/114
D548,696	S	*	8/2007	Pourkermani et al.	D13/114
D576,941	S	*	9/2008	Evon et al.	D13/112
D587,648	S	*	3/2009	Lannoch	D13/112
D588,063	S	*	3/2009	Lannoch	D13/122
7,687,945	B2	*	3/2010	Matin et al.	310/64
D618,615	S	*	6/2010	Basic et al.	D13/114
D667,372	S	*	9/2012	Lannoch	D13/112

(73) Assignee: **MOTEURS LEROY-SOMER**,
Angouleme (FR)

(*) Notice: This patent is subject to a terminal disclaimer.

FOREIGN PATENT DOCUMENTS

(**) Term: **14 Years**

WO WO 2011/117816 9/2011

(21) Appl. No.: **29/465,714**

* cited by examiner

(22) Filed: **Aug. 30, 2013**

Primary Examiner — Derrick Holland

(30) **Foreign Application Priority Data**

(74) *Attorney, Agent, or Firm* — Oliff PLC

Mar. 3, 2013 (EP) 002195537-0001

(51) **LOC (10) Cl.** **13-01**

(57) **CLAIM**

The ornamental design for an alternator, as shown and described.

(52) **U.S. Cl.**

USPC **D13/114**

DESCRIPTION

(58) **Field of Classification Search**

USPC D13/114, 112, 113, 122, 199; D15/3, 5,
D15/199; 74/606 R, 609; 310/10, 40 R, 42,
310/51, 52, 58, 64, 71, 80, 83, 85, 88, 89,
310/91, 109, 236, 239, 254; 318/245, 255;
322/16, 39; 361/688, 704, 709;
29/596-598

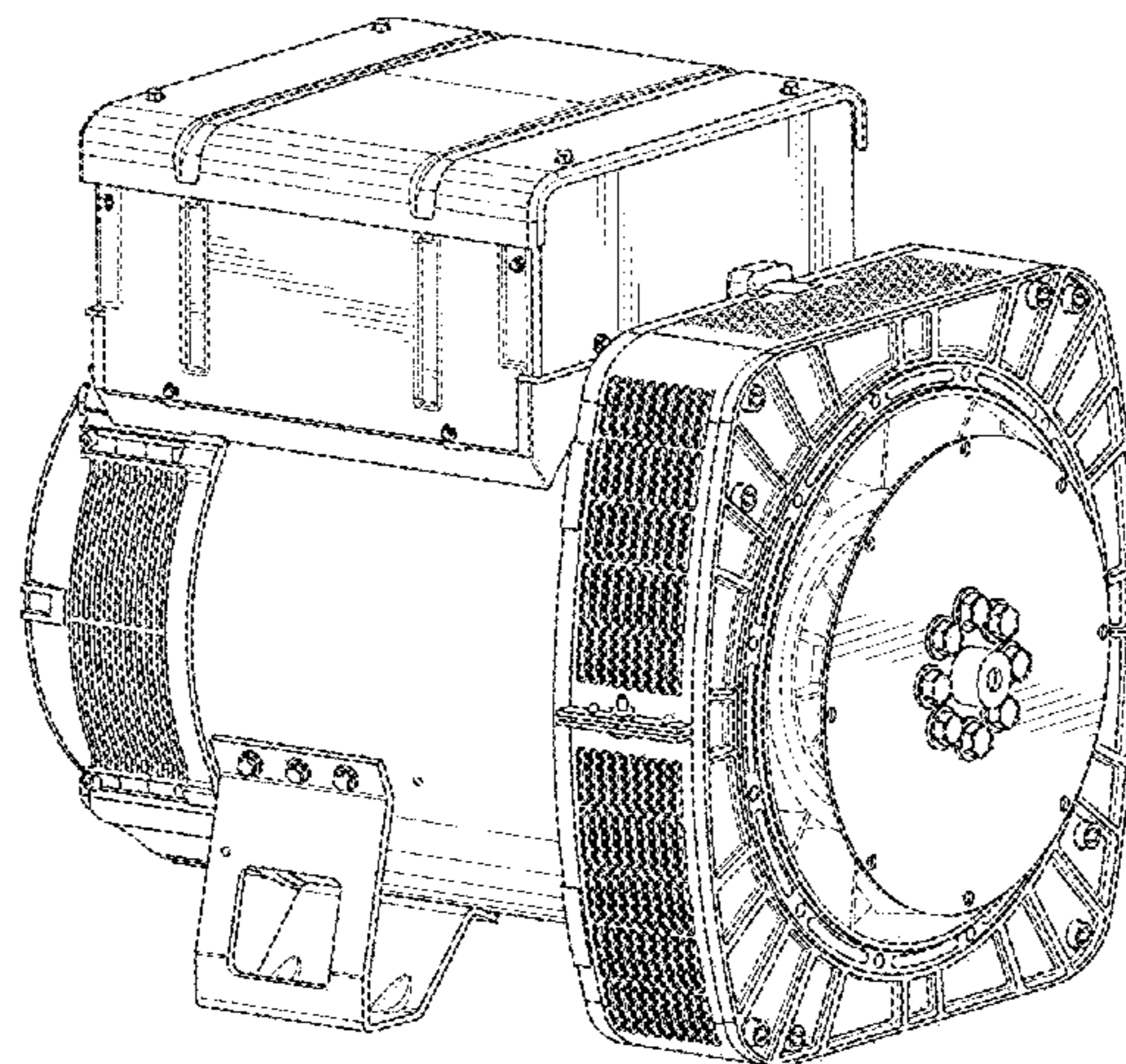
FIG. 1 is a perspective view of an alternator;
FIG. 2 is a left-side view thereof;
FIG. 3 is a top view thereof;
FIG. 4 is a front view thereof;
FIG. 5 is a rear view thereof;
FIG. 6 is a right-side view thereof; and,
FIG. 7 is a bottom view thereof.

CPC H02K 5/00; H02K 5/18; H02K 5/20;
H02K 9/06; H02K 7/00; H02K 7/003;
H02K 7/006

The broken lines depict environmental subject matter only and form no part of the claimed design.

See application file for complete search history.

1 Claim, 7 Drawing Sheets



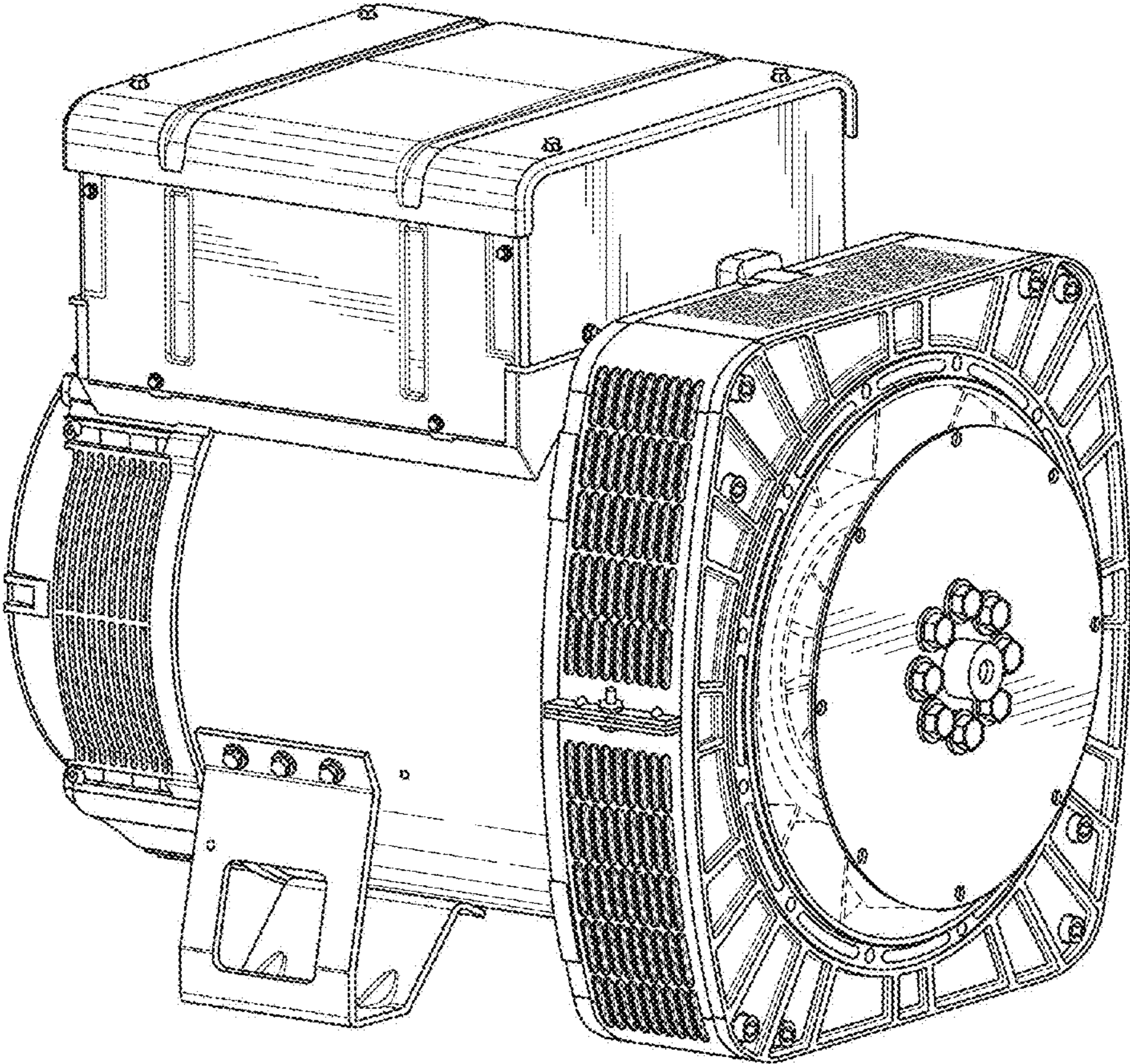


FIG. 1

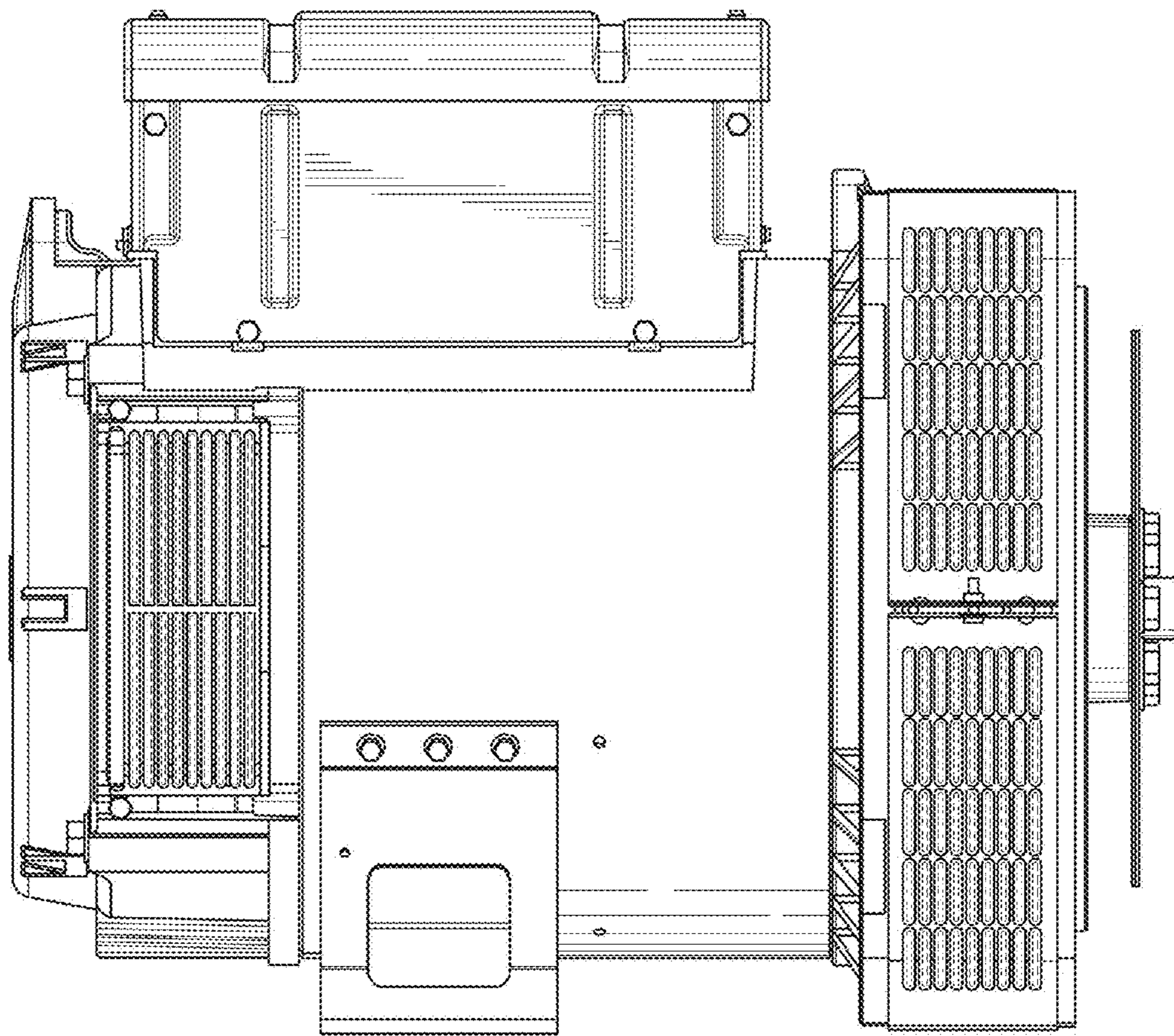


FIG. 2

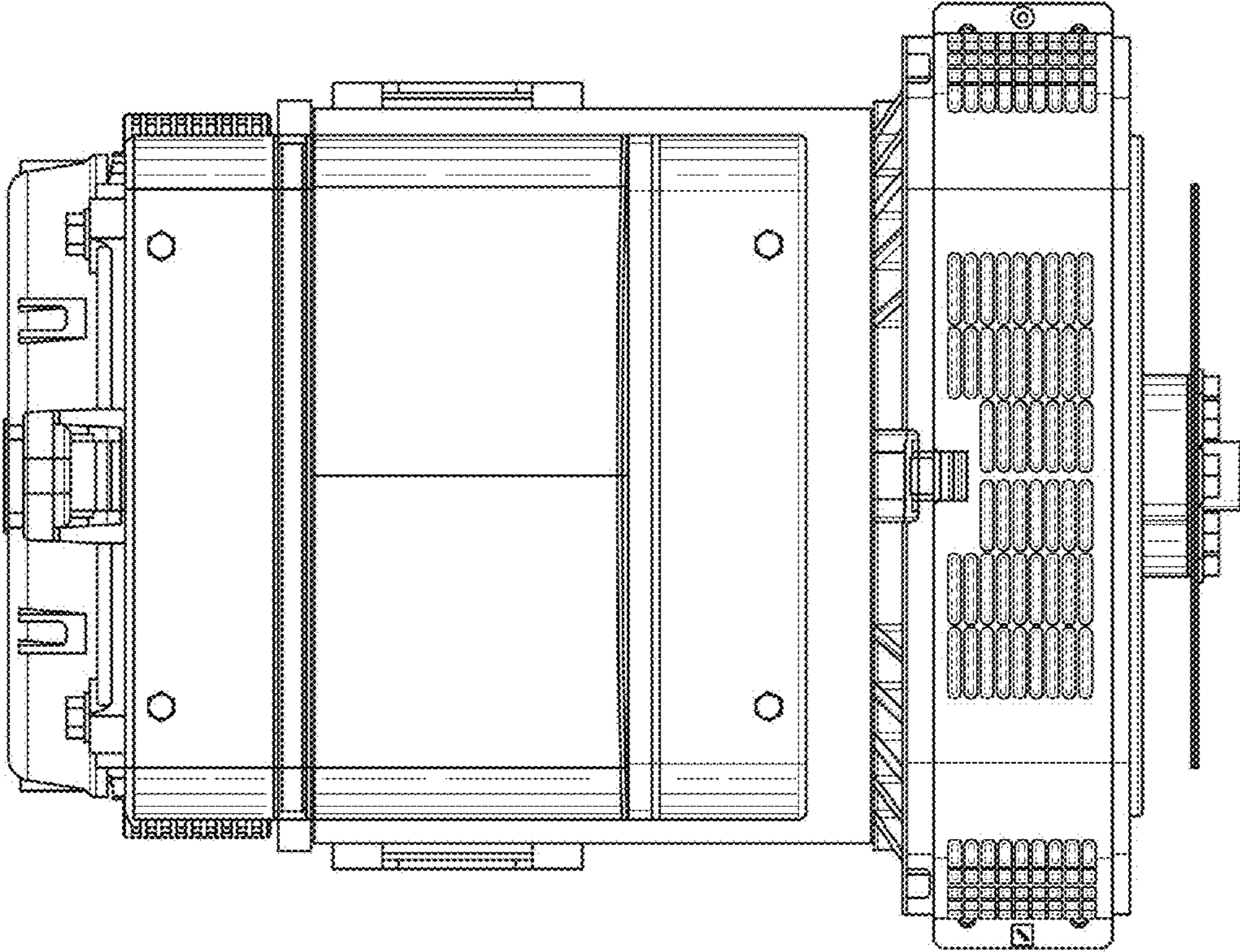


FIG. 3

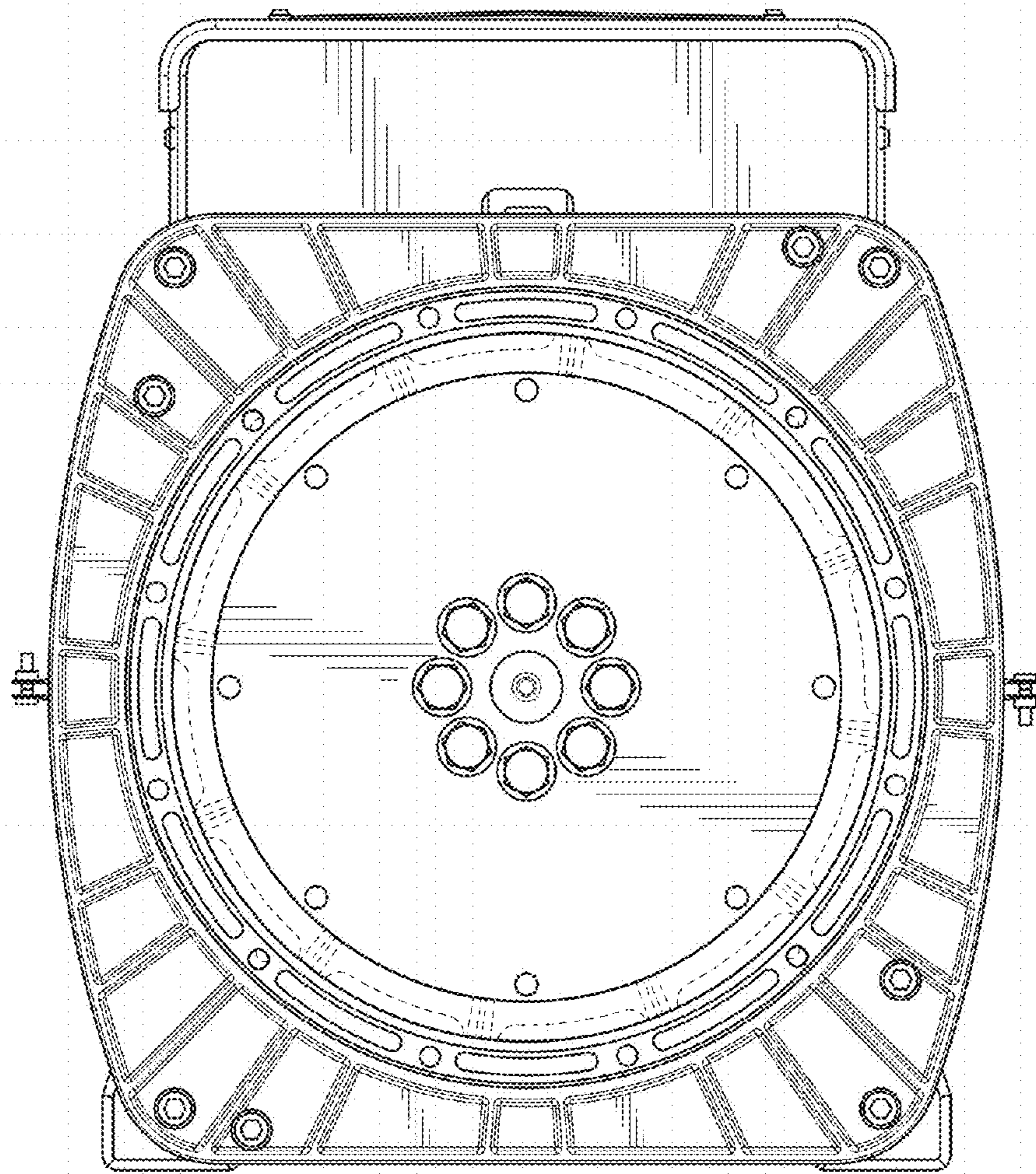


FIG. 4

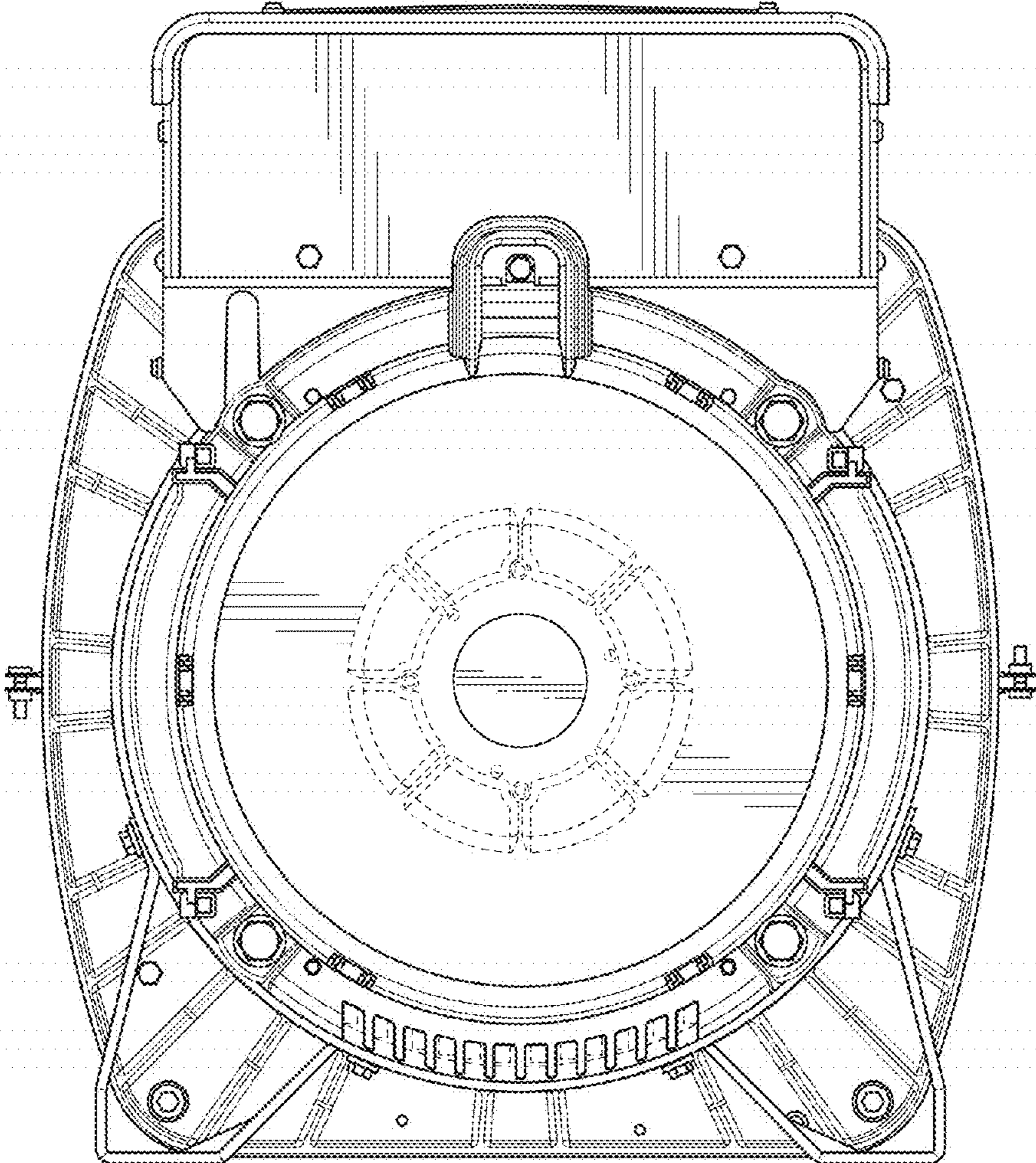


FIG. 5

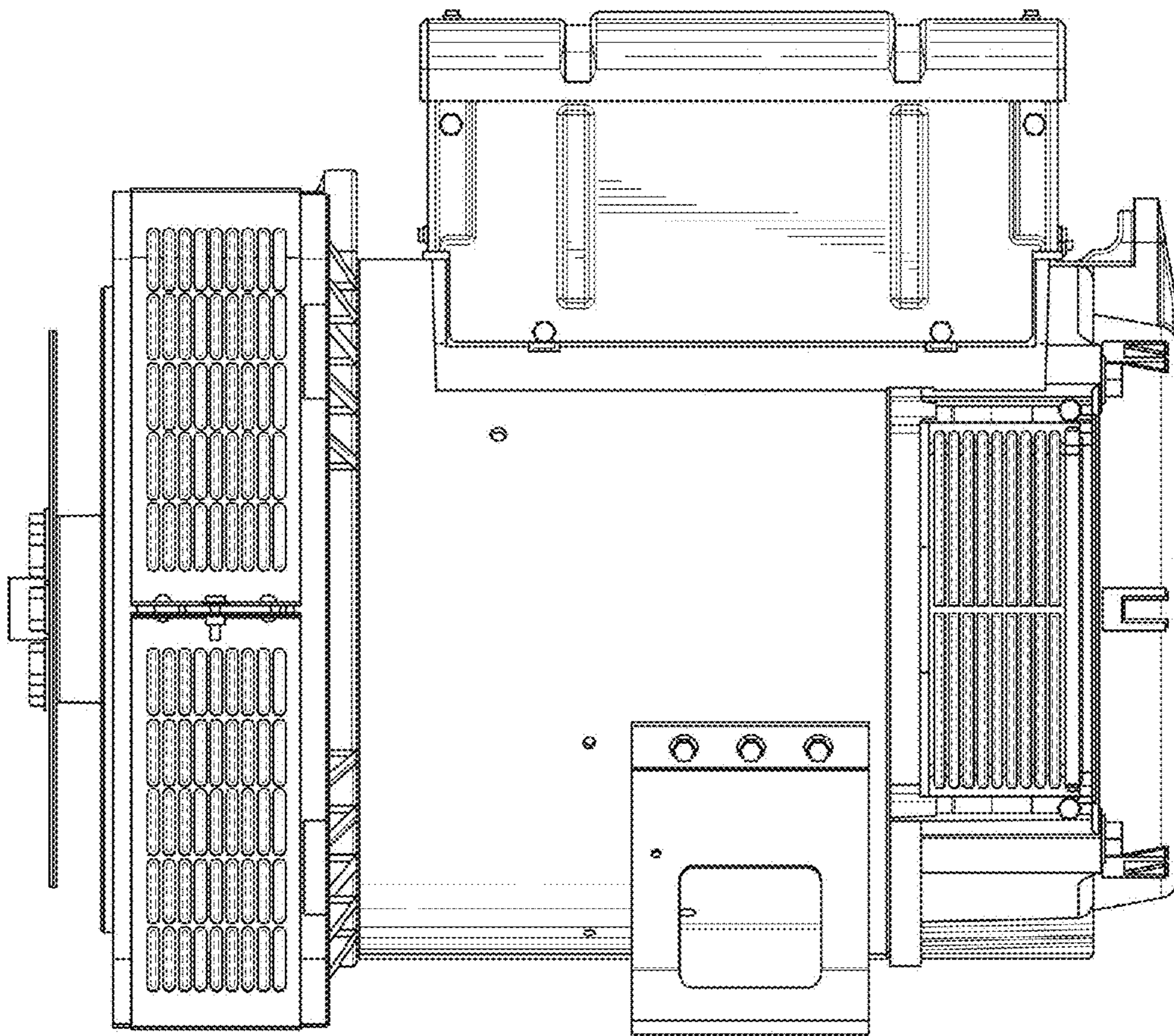


FIG. 6

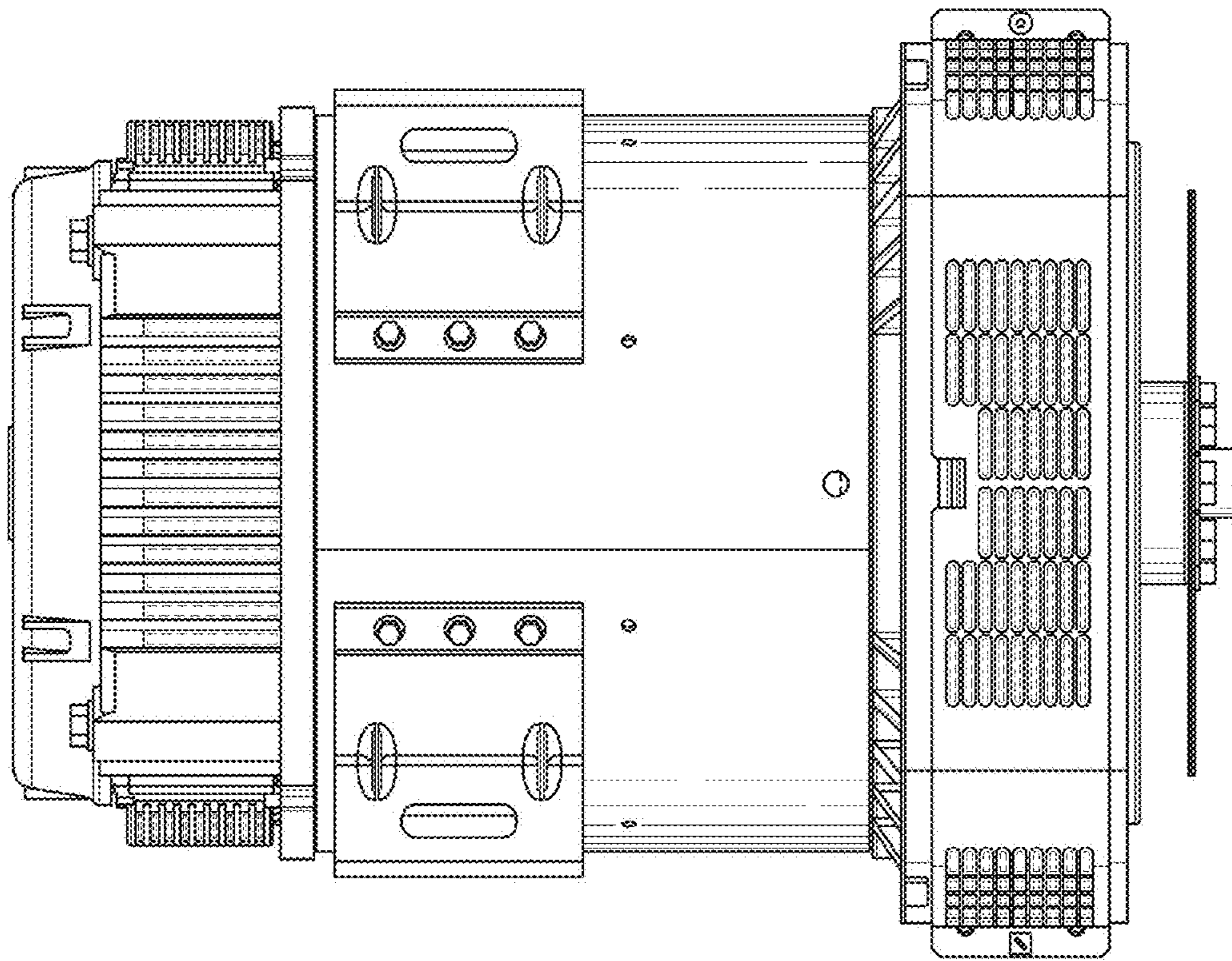


FIG. 7