



US00D769190S

(12) **United States Design Patent** (10) **Patent No.:** **US D769,190 S**
Sid (45) **Date of Patent:** **** Oct. 18, 2016**

(54) **ELECTRICAL CURRENT TRANSDUCER**
(71) Applicant: **LEM Intellectual Property SA,**
Fribourg (CH)
(72) Inventor: **Salim Sid,** Annemasse (FR)
(73) Assignee: **LEM INTELLECTUAL PROPERTY**
SA, Fribourg (CH)
(**) Term: **15 Years**
(21) Appl. No.: **29/545,140**
(22) Filed: **Nov. 10, 2015**

Related U.S. Application Data

(62) Division of application No. 29/503,065, filed on Sep. 23, 2014.

Foreign Application Priority Data

Mar. 24, 2014 (WO) DM/083242

(51) **LOC (10) Cl.** **13-02**

(52) **U.S. Cl.**
USPC **D13/110**

(58) **Field of Classification Search**
USPC D13/110, 101, 117, 123, 124, 159, 182,
D13/184, 199; D10/75; 76/767, 771, 779,
76/801, 811; 324/117 H, 117 R, 120, 121 R,
324/127; 361/18, 30, 31, 93.1; 336/173,
336/176, 178; D14/222
CPC H04R 2499/11; H04R 1/28; A61B
17/320068; B06B 1/0618; G01L 19/147;
G01R 15/241

See application file for complete search history.

(56) **References Cited**

U.S. PATENT DOCUMENTS

4,258,348 A * 3/1981 Belfer H01F 38/30
336/105
D260,635 S 9/1981 Lockwood
D288,314 S 2/1987 Makinson et al.
4,746,891 A 5/1988 Zylstra
5,125,275 A 6/1992 Wilda et al.
5,182,536 A 1/1993 Boylan et al.
5,184,107 A 2/1993 Maurer

D348,042 S 6/1994 Cook et al.
6,411,078 B1 * 6/2002 Nakagawa G01R 15/20
324/117 H
D505,870 S * 6/2005 Vuillermoz D10/75
D511,112 S * 11/2005 Takada D10/75
D613,686 S 4/2010 Mueller et al.
D656,850 S * 4/2012 Marcoz D10/79
D684,927 S 6/2013 Sage
D685,325 S 7/2013 Hayashi
D685,734 S 7/2013 Sage
D686,156 S 7/2013 Ye
D686,989 S 7/2013 Hayashi
D688,143 S 8/2013 Onuma
D688,626 S 8/2013 Ye
8,587,399 B2 11/2013 Crutcher et al.
8,692,540 B2 * 4/2014 Bernklau G01R 15/186
324/117 H
8,963,009 B2 * 2/2015 Leifer H02G 5/00
174/135
D742,842 S * 11/2015 Hayashi D13/182
9,177,718 B2 * 11/2015 Cook H01F 27/06
D754,553 S * 4/2016 Shamir D10/75
2014/0253100 A1 * 9/2014 Lepine G01R 19/00
324/126
2015/0279550 A1 * 10/2015 Kitami H01F 27/24
336/178

* cited by examiner

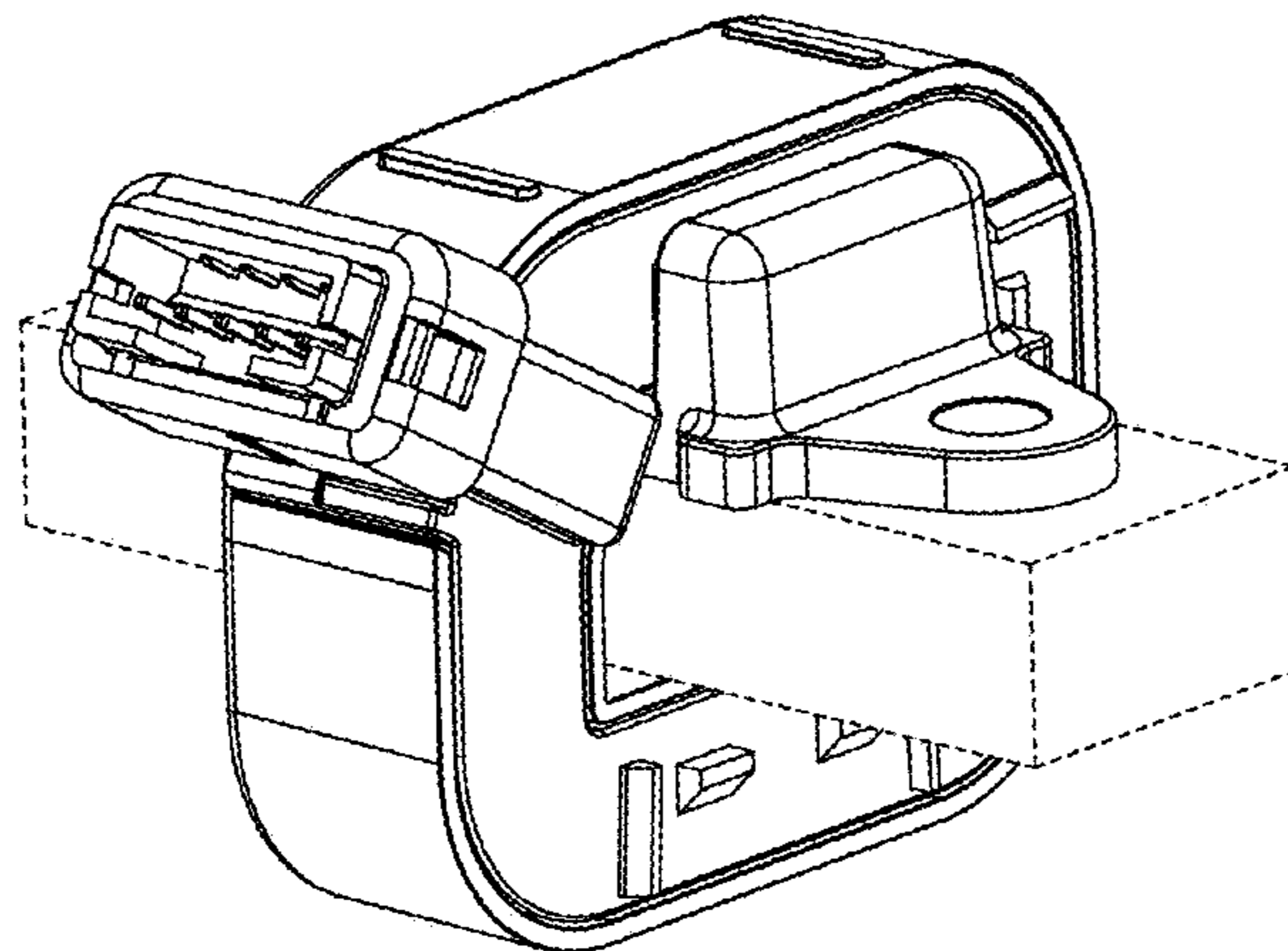
Primary Examiner — Derrick Holland
Assistant Examiner — Jennifer O King
(74) *Attorney, Agent, or Firm* — Harness, Dickey & Pierce, P.L.C.

(57) **CLAIM**
The ornamental design for an electrical current transducer, as shown and described.

DESCRIPTION

FIG. 1 is front perspective view of an electrical current transducer showing my new design; FIG. 2 is rear perspective view thereof; FIG. 3 is a front view thereof; FIG. 4 is a rear view thereof; FIG. 5 is a top plan view thereof; FIG. 6 is a bottom plan view thereof; FIG. 7 is a left side view thereof; and, FIG. 8 is a right side view thereof. The broken lines shown represent unclaimed subject matter and form no part of the claimed design.

1 Claim, 8 Drawing Sheets



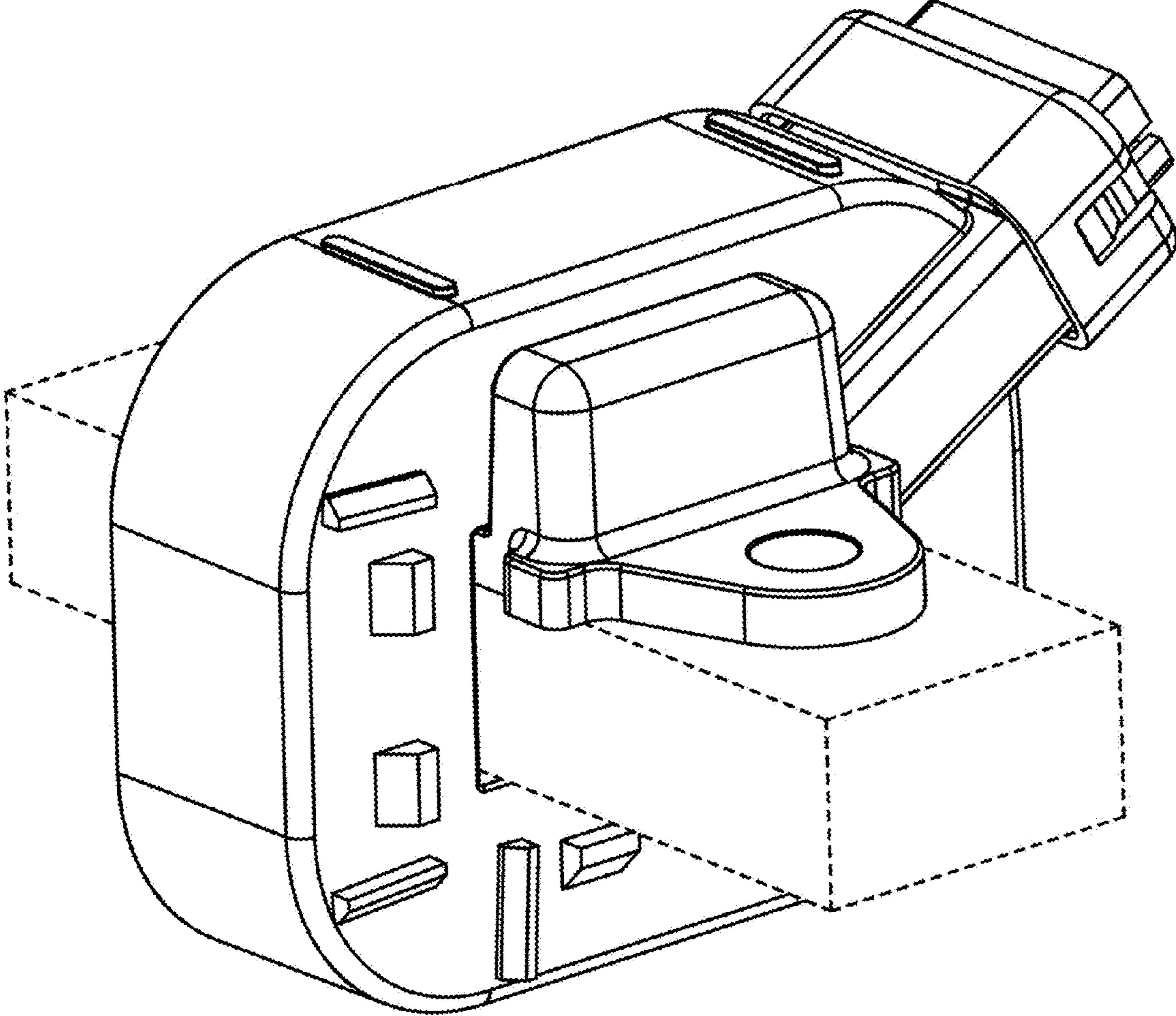


FIG. 1

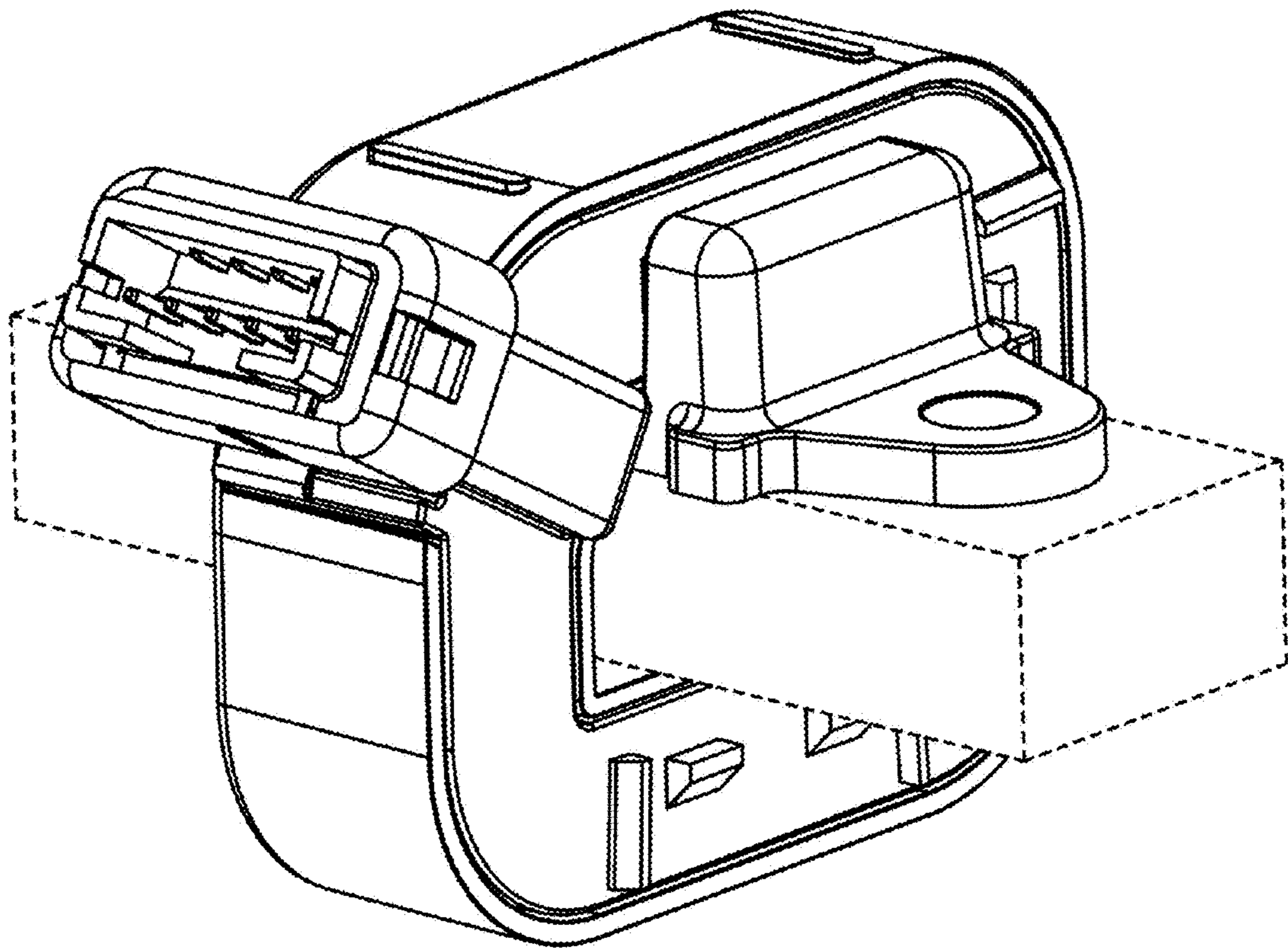


FIG. 2

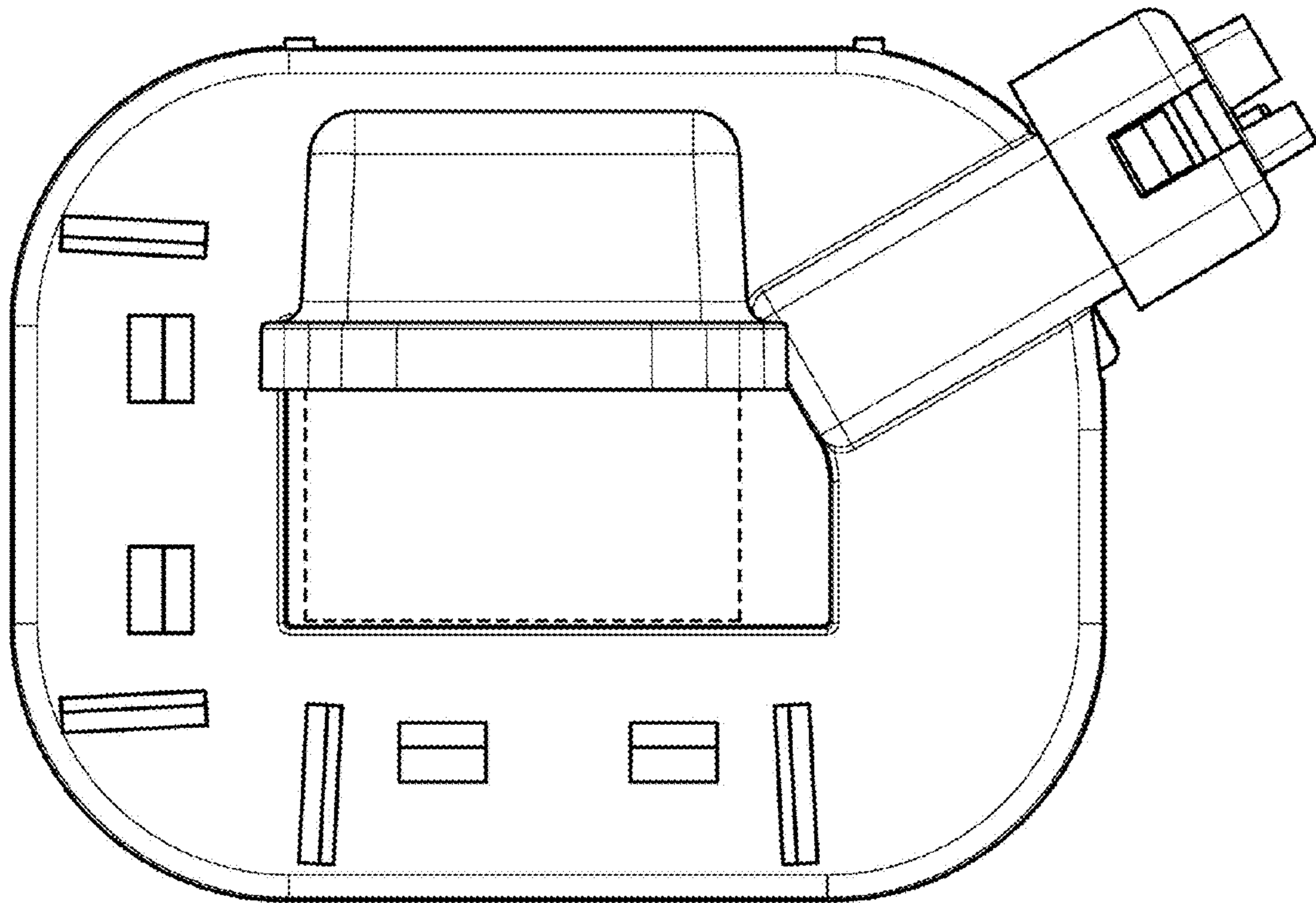


FIG. 3

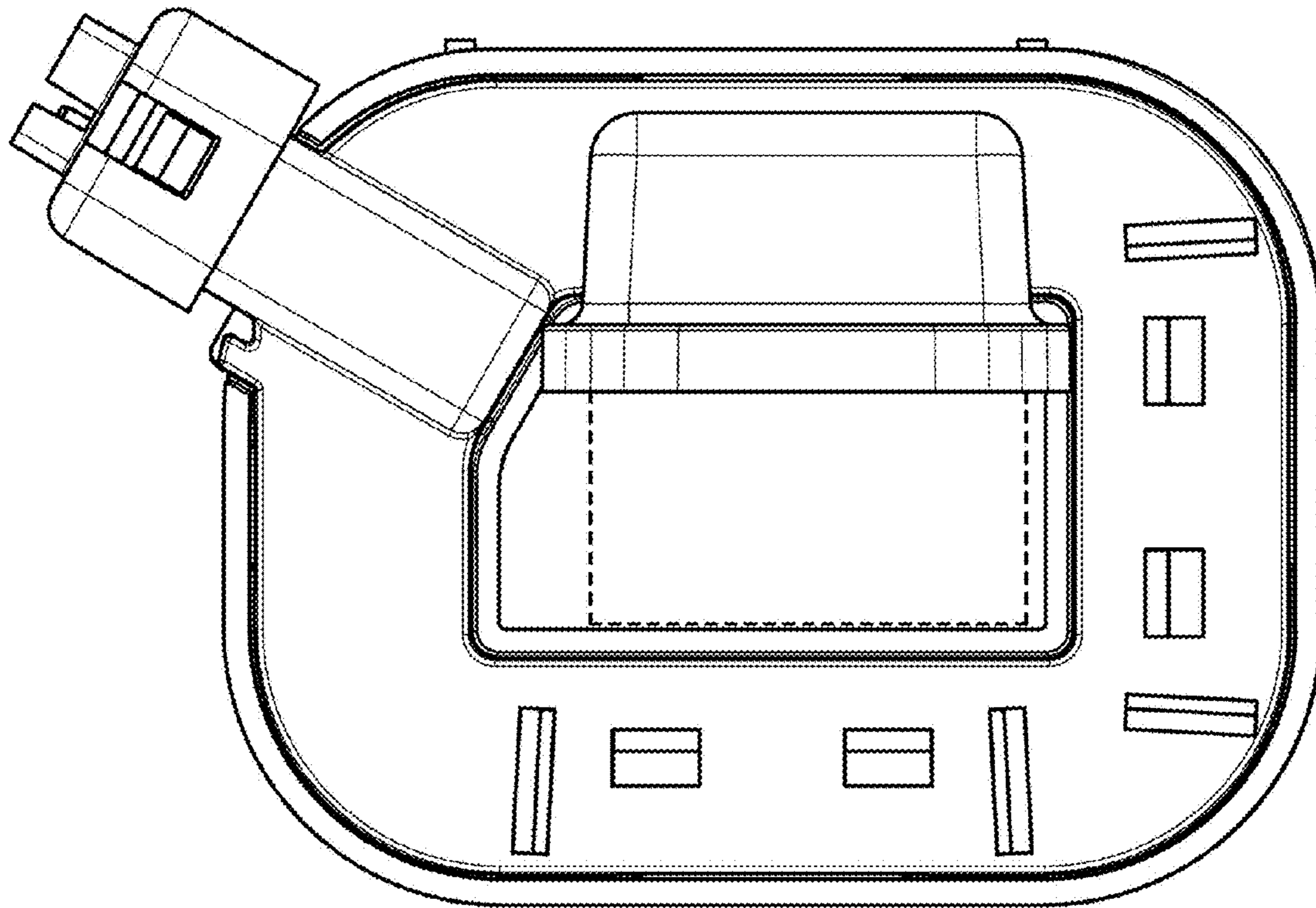


FIG. 4

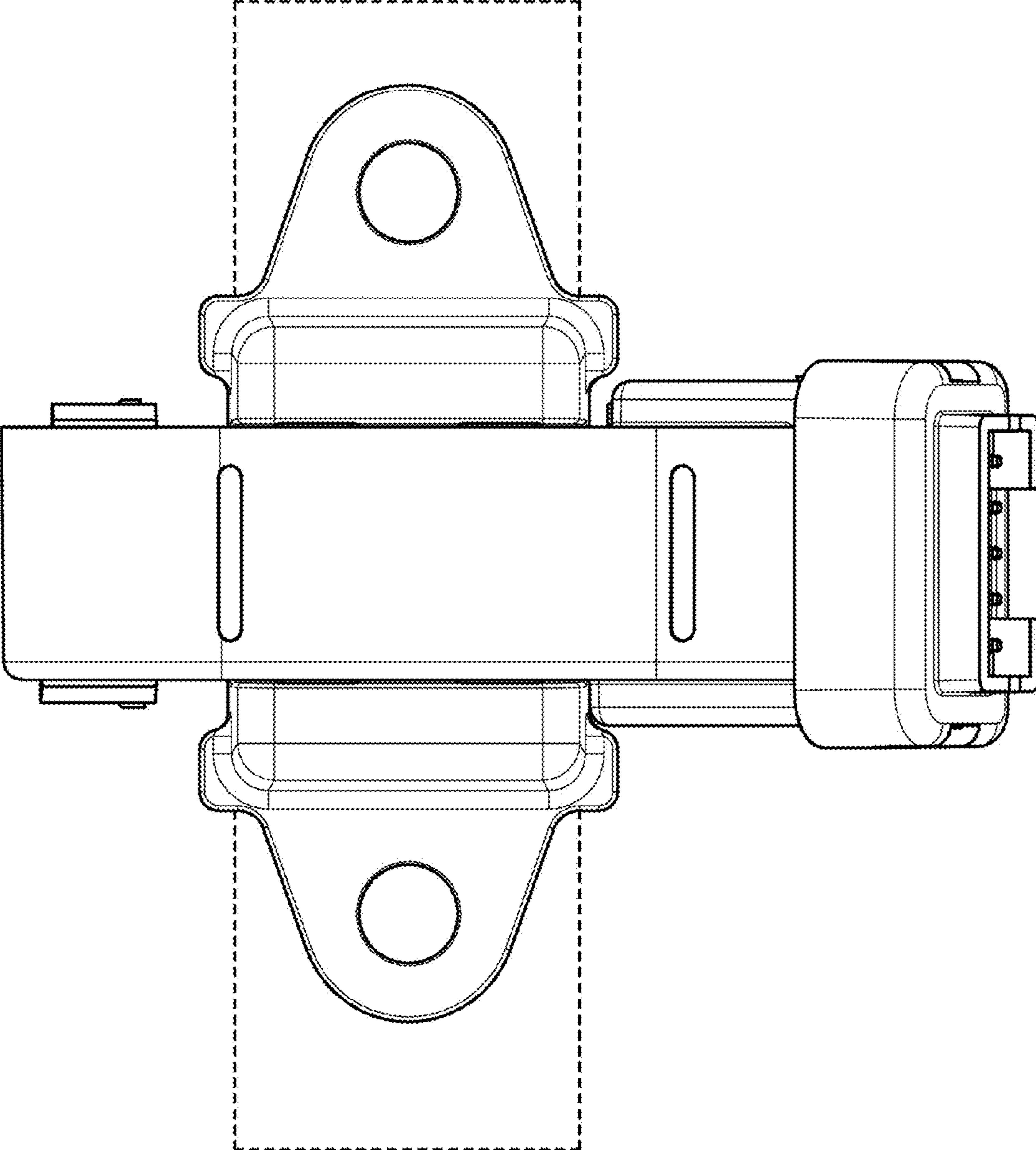


FIG. 5

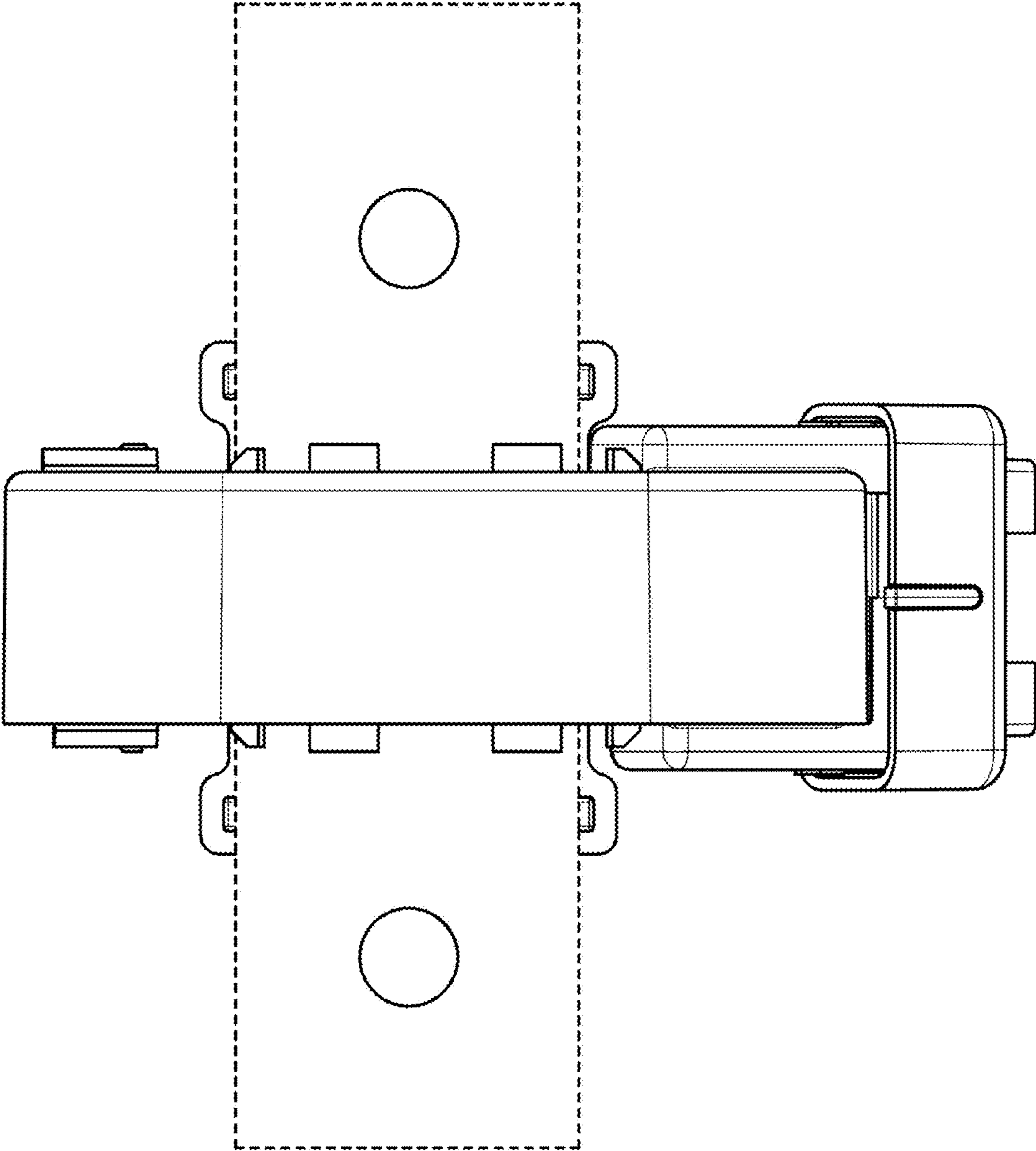


FIG. 6

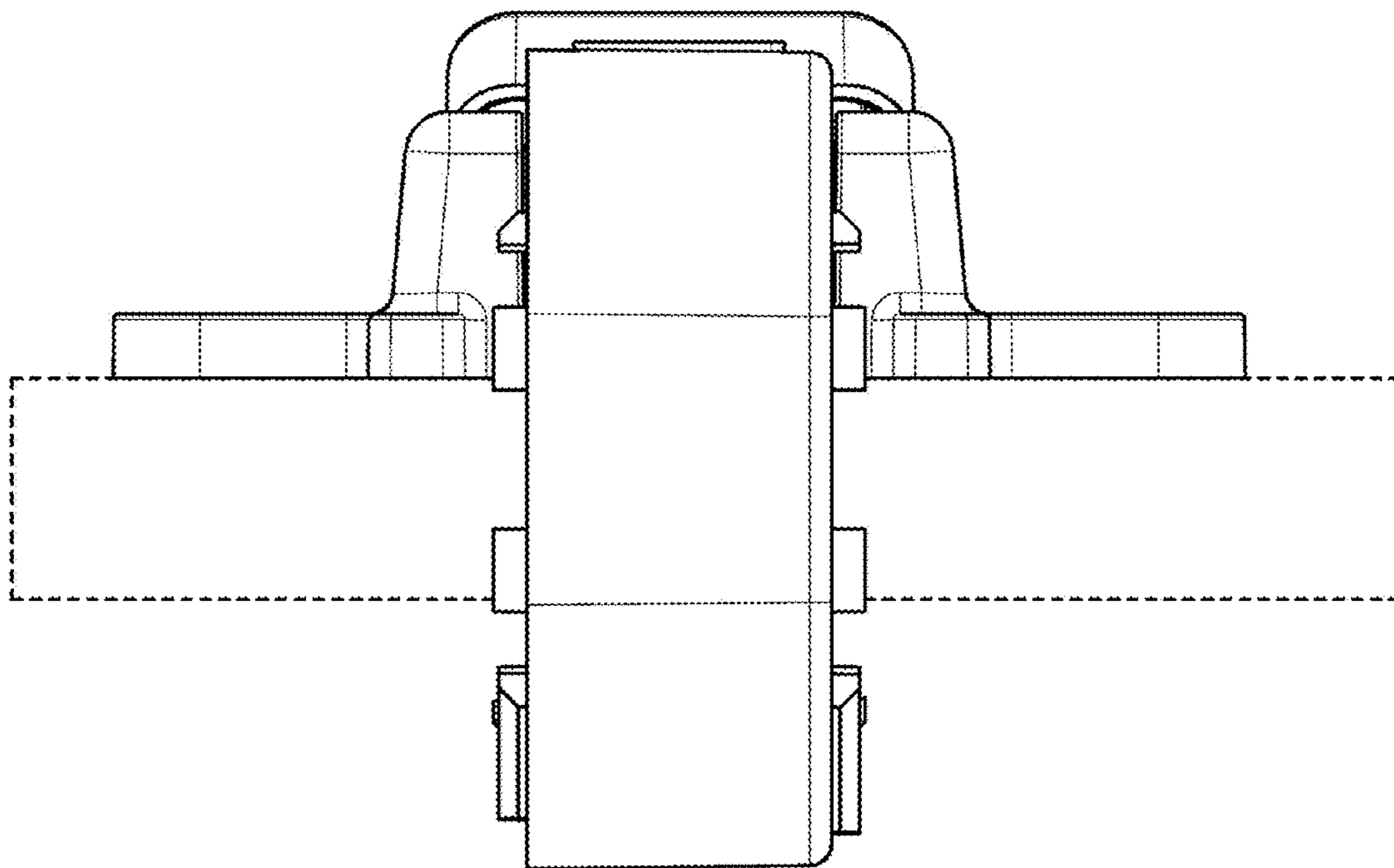


FIG. 7

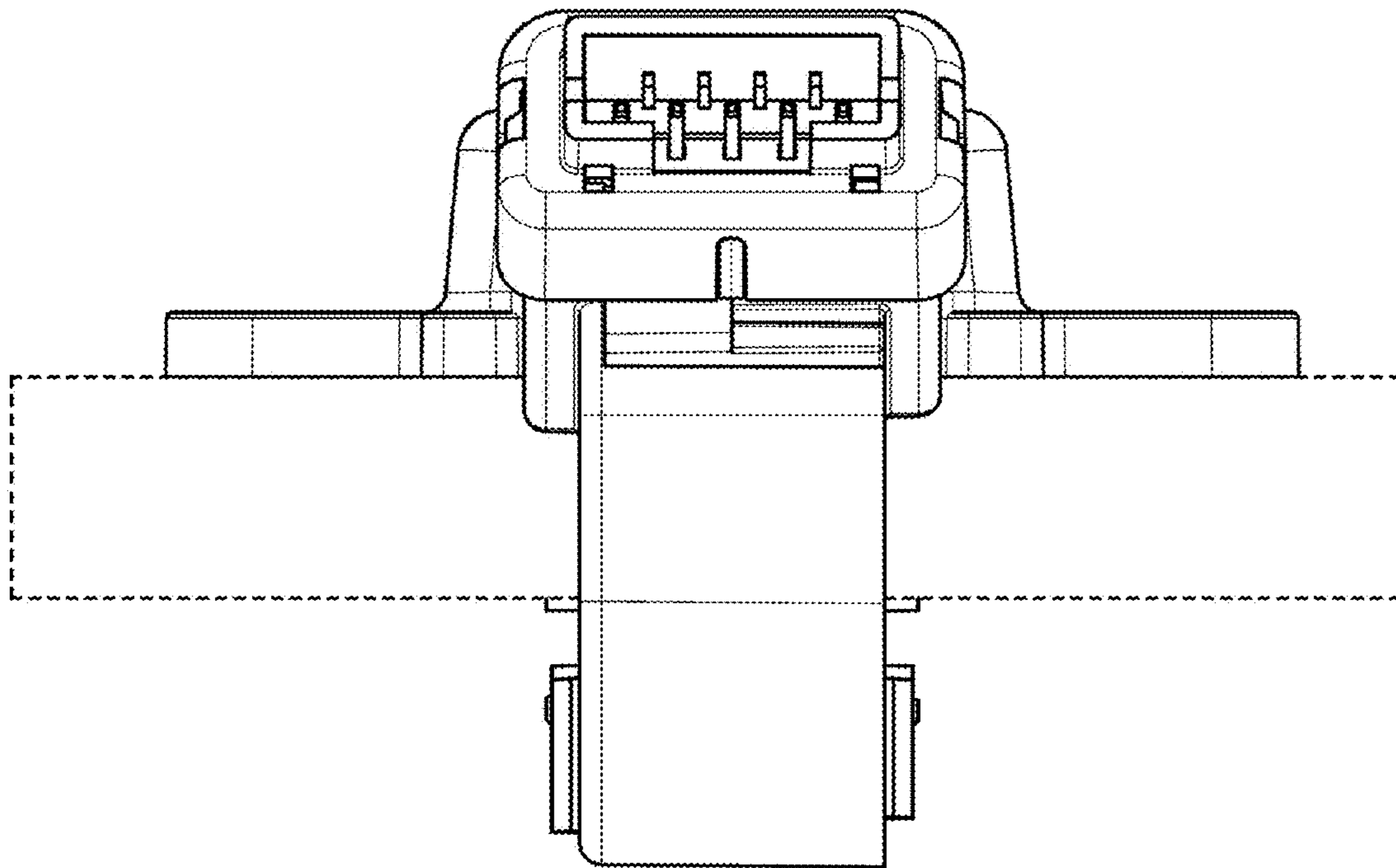


FIG. 8