

US00D769186S

(12) **United States Design Patent** (10) **Patent No.:** **US D769,186 S**  
**Yang** (45) **Date of Patent:** **\*\* Oct. 18, 2016**

(54) **DESKTOP CHARGER**

(71) Applicant: **The Wiremold Company**, West Hartford, CT (US)

(72) Inventor: **Taesuk Yang**, Wallingford, CT (US)

(73) Assignee: **The Wiremold Company**, West Hartford, CT (US)

(\*\*) Term: **14 Years**

(21) Appl. No.: **29/513,484**

(22) Filed: **Dec. 31, 2014**

(51) **LOC (10) Cl.** ..... **13-02**

(52) **U.S. Cl.**  
USPC ..... **D13/108**

(58) **Field of Classification Search**  
USPC ..... D13/107-110, 118, 119, 133, 144, 184;  
D14/251, 253, 432, 434; 320/107-115  
CPC ..... Y02E 60/12; Y02T 90/14; Y02T 90/122;  
Y02T 90/128; Y02T 90/163; H02J 7/025;  
H02J 7/042; H02J 7/044; H02J 7/0003;  
H02J 7/0027; H02J 7/0013; H02J 7/0054;  
H02J 7/00; H02J 2001/008; H02J 3/32;  
H02J 3/008; H01F 38/14; H01R 13/6675;  
H01M 2/1022; H01M 2/1055; H01M 10/44;  
H01M 10/46; H01M 10/425; B60L 11/182;  
B60L 11/1809; B60L 11/1861; B60R 16/03  
See application file for complete search history.

(56) **References Cited**

U.S. PATENT DOCUMENTS

D453,155 S \* 1/2002 Michel ..... D14/253  
D577,665 S \* 9/2008 Kim ..... D13/107

D631,007 S \* 1/2011 Smith ..... D13/108  
D648,339 S \* 11/2011 O'Neil ..... D14/434  
D657,741 S \* 4/2012 Fahrendorff ..... D13/108  
D712,828 S \* 9/2014 Delrue ..... D13/108  
D736,211 S \* 8/2015 Kirkpatrick ..... D14/434

\* cited by examiner

*Primary Examiner* — Rosemary K Tarcza

*Assistant Examiner* — Christy Nemeth

(74) *Attorney, Agent, or Firm* — McCormick, Paulding & Huber LLP

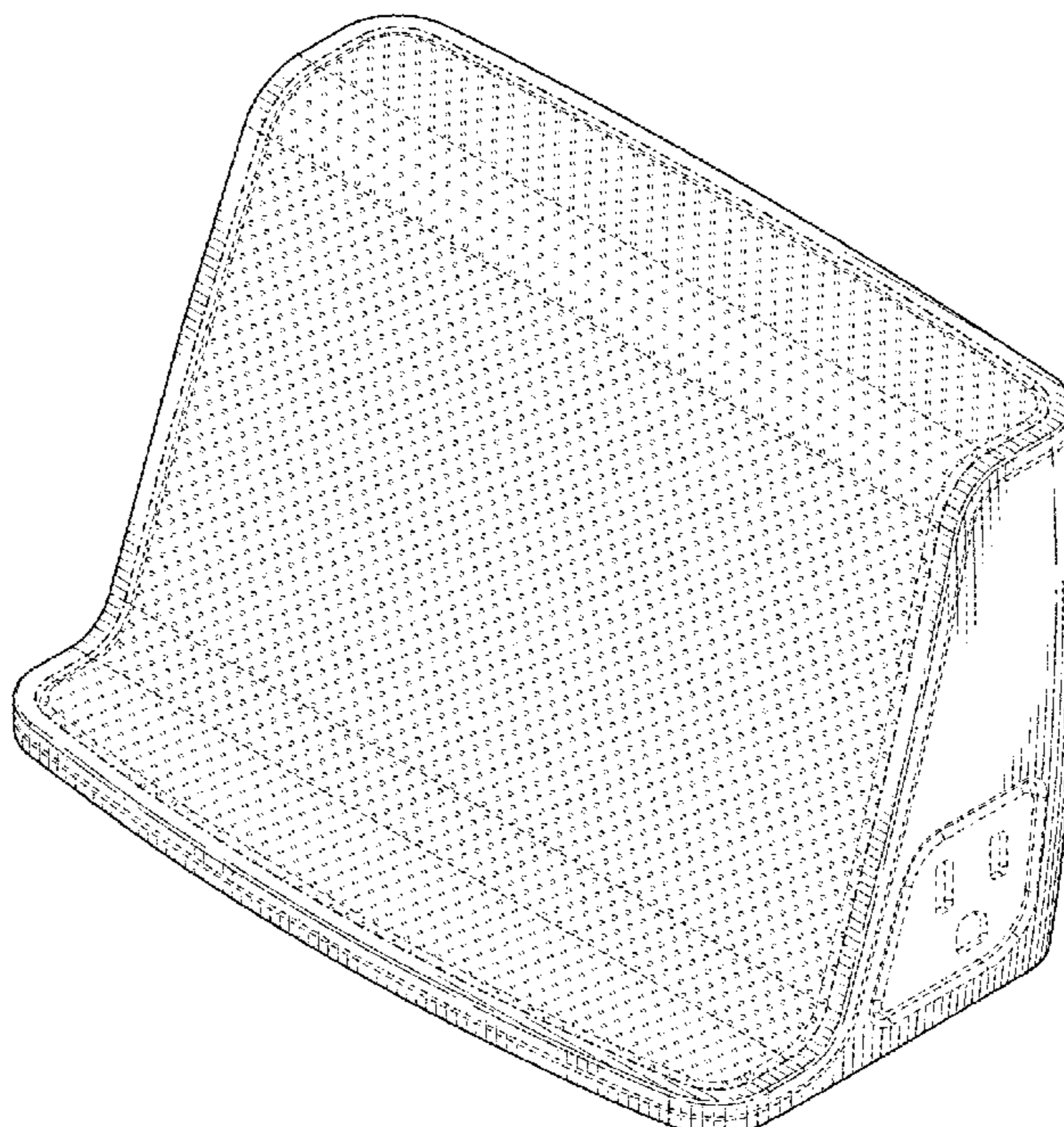
(57) **CLAIM**

The ornamental design for a desktop charger, as shown and described.

**DESCRIPTION**

FIG. 1 is a front, top, right-hand side perspective view of a desktop charger comprising a new, original and ornamental design;  
FIG. 2 is a front view thereof;  
FIG. 3 is a rear view thereof;  
FIG. 4 is a left-hand side view thereof;  
FIG. 5 is a right-hand side view thereof;  
FIG. 6 is a top view thereof; and,  
FIG. 7 is a bottom view thereof.  
The broken line portion of the figure drawings is included to show unclaimed subject matter only and forms no part of the claimed design. The dash-dotted line in the figure views illustrates a boundary line which also forms no part of the claimed design.

**1 Claim, 4 Drawing Sheets**



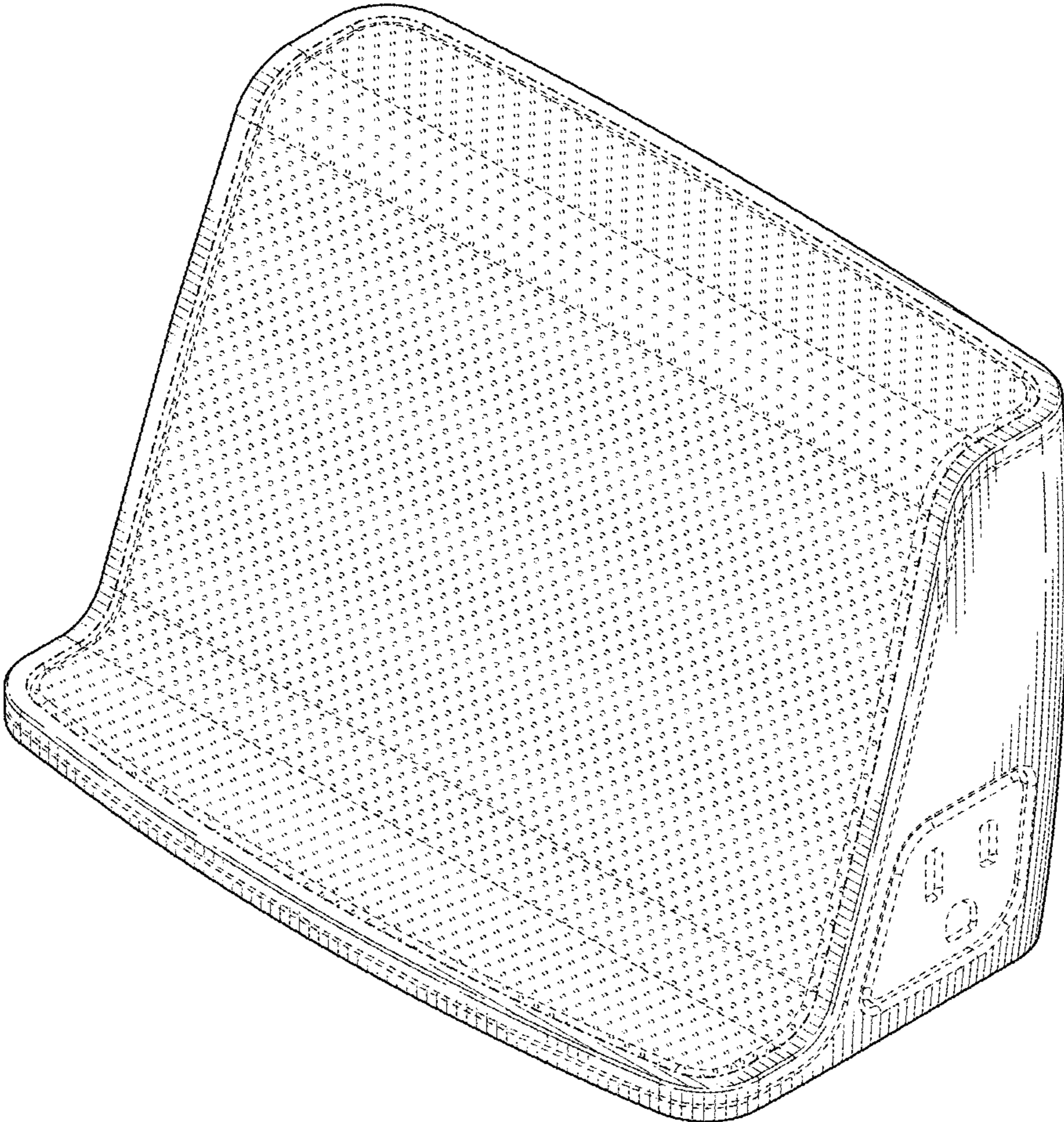


FIG. 1



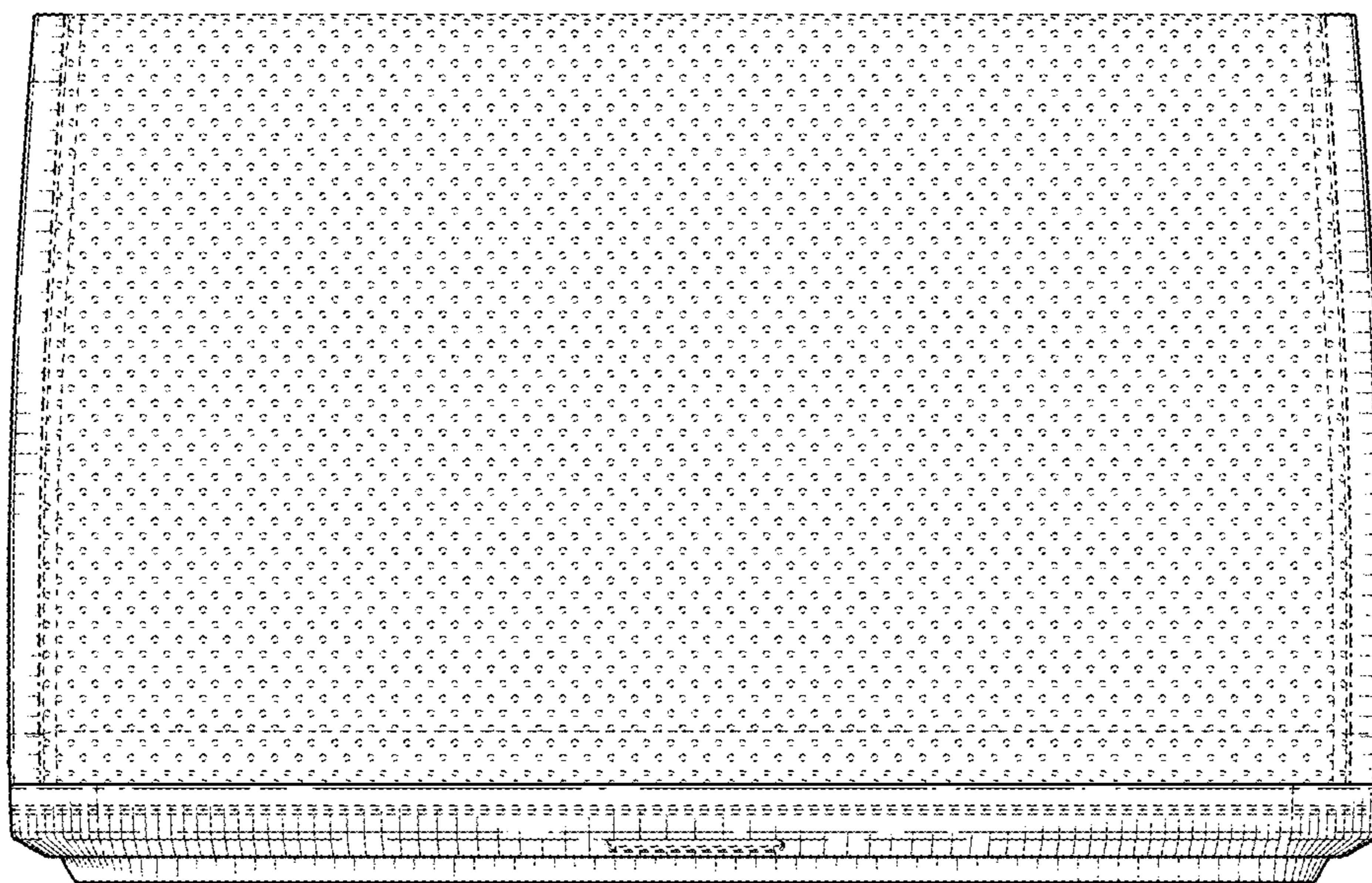


FIG. 2

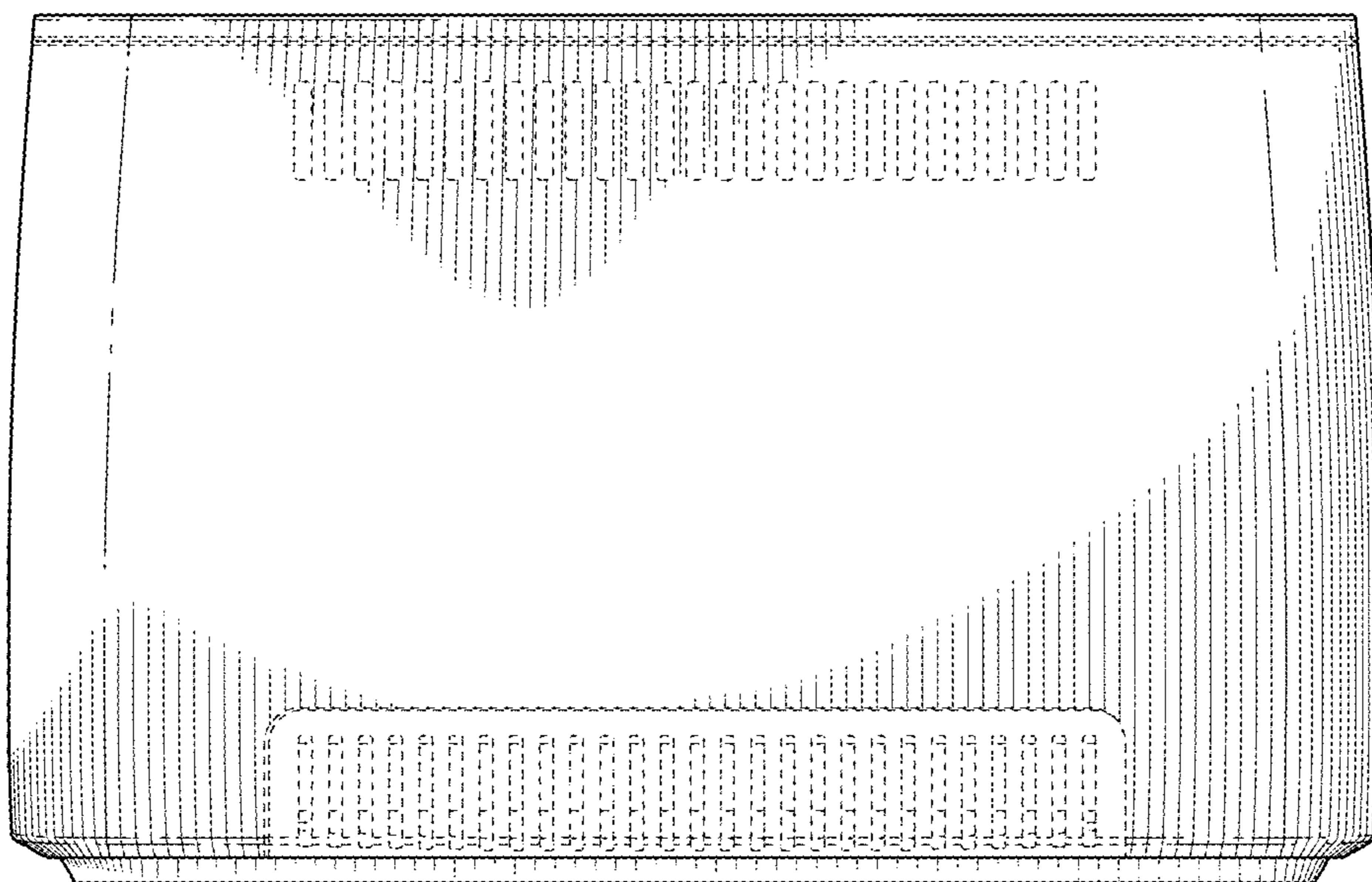


FIG. 3

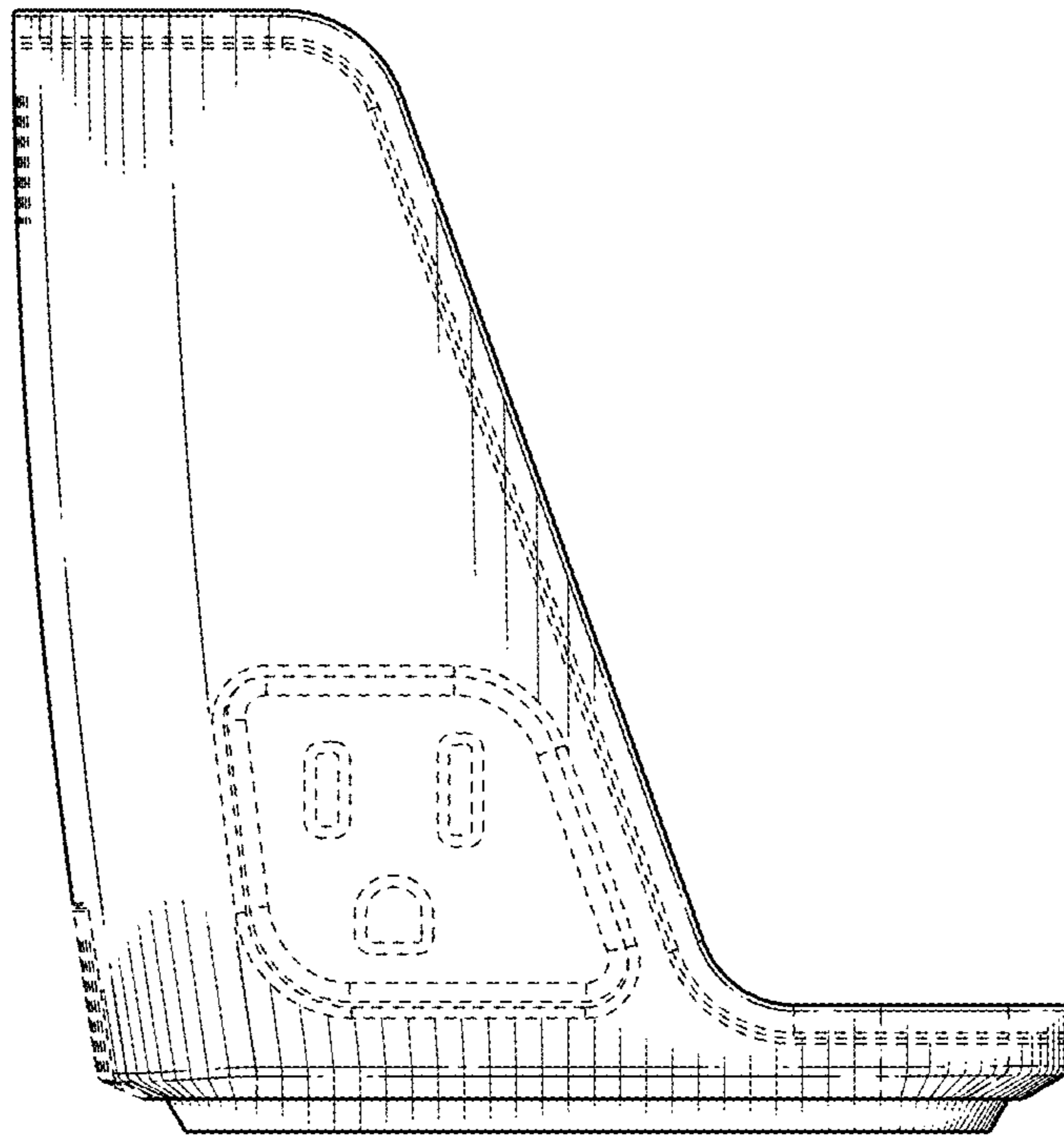


FIG. 4

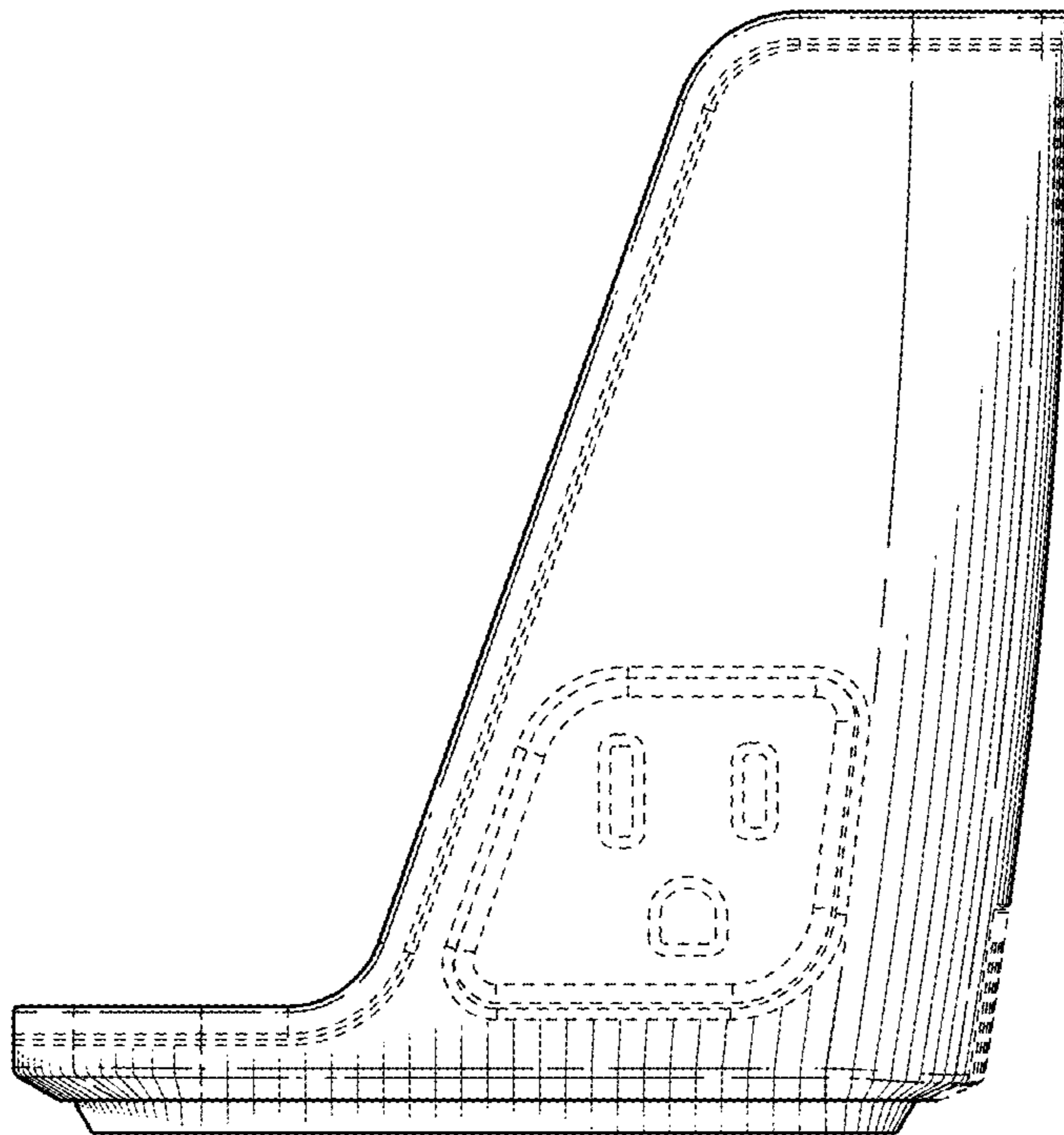


FIG. 5



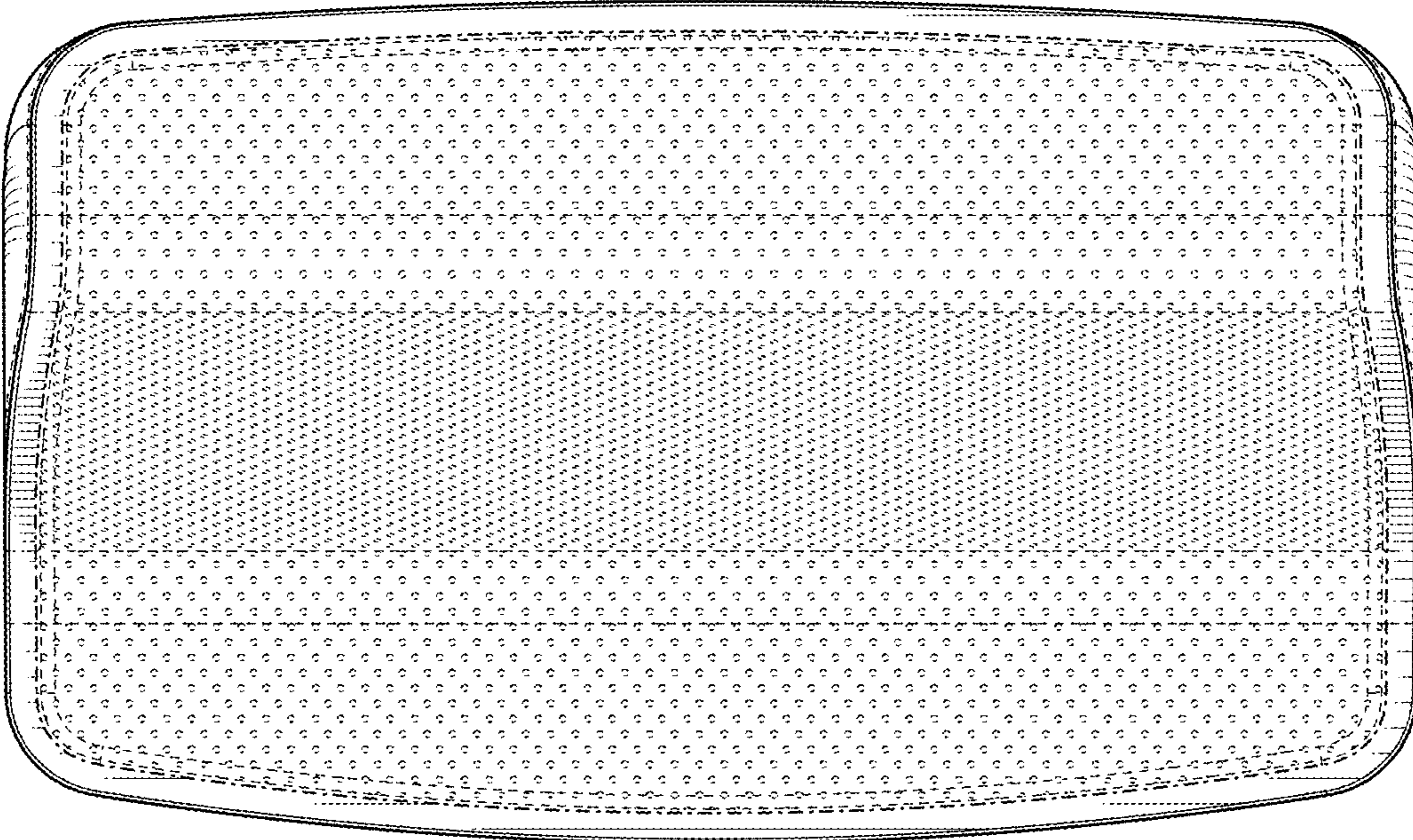


FIG. 6

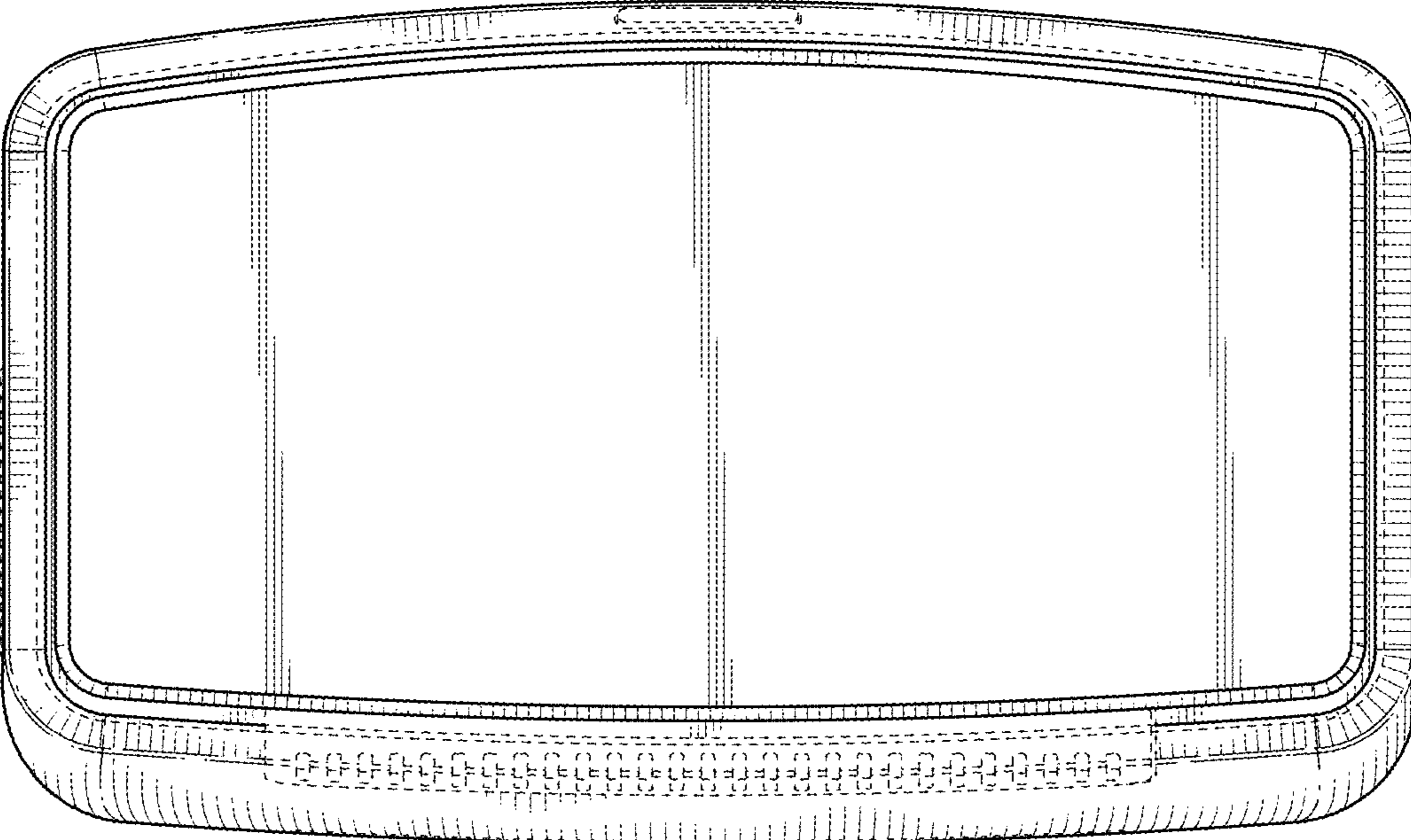


FIG. 7