

US00D769184S

(12) **United States Design Patent** (10) **Patent No.:** **US D769,184 S**
Esses (45) **Date of Patent:** **** Oct. 18, 2016**

(54) **CHARGING DEVICE**
(71) Applicant: **Premier Accessory Group LLC**,
Edison, NJ (US)
(72) Inventor: **Alfred Esses**, Brooklyn, NY (US)
(73) Assignee: **Premier Accessory Group LLC**,
Edison, NJ (US)
(**) Term: **15 Years**

D469,400 S * 1/2003 Shor D13/107
6,612,875 B1 9/2003 Liao
D480,719 S 10/2003 Yuen
D521,486 S * 5/2006 Yokoyama D13/144
D544,440 S 6/2007 Dayan
D556,730 S 12/2007 Yokoyama
D589,889 S * 4/2009 Wu D13/133
D594,817 S 6/2009 Abdallah et al.
7,544,101 B1 * 6/2009 Tseng H01R 24/58
439/131
D595,684 S * 7/2009 Ganley D14/155
(Continued)

(21) Appl. No.: **29/564,415**
(22) Filed: **May 12, 2016**

FOREIGN PATENT DOCUMENTS

AU 305458 S 2/2006
AU 360459 S 2/2015
(Continued)

Related U.S. Application Data

(63) Continuation-in-part of application No. 29/551,618,
filed on Jan. 14, 2016.

Primary Examiner — Rosemary K Tarcza
Assistant Examiner — Nathaniel D Buckner
(74) *Attorney, Agent, or Firm* — Gottlieb, Rackman &
Reisman, PC

(51) **LOC (10) Cl.** **13-02**
(52) **U.S. Cl.**
USPC **D13/107**

(57) **CLAIM**
The ornamental design for a charging device, as shown and
described.

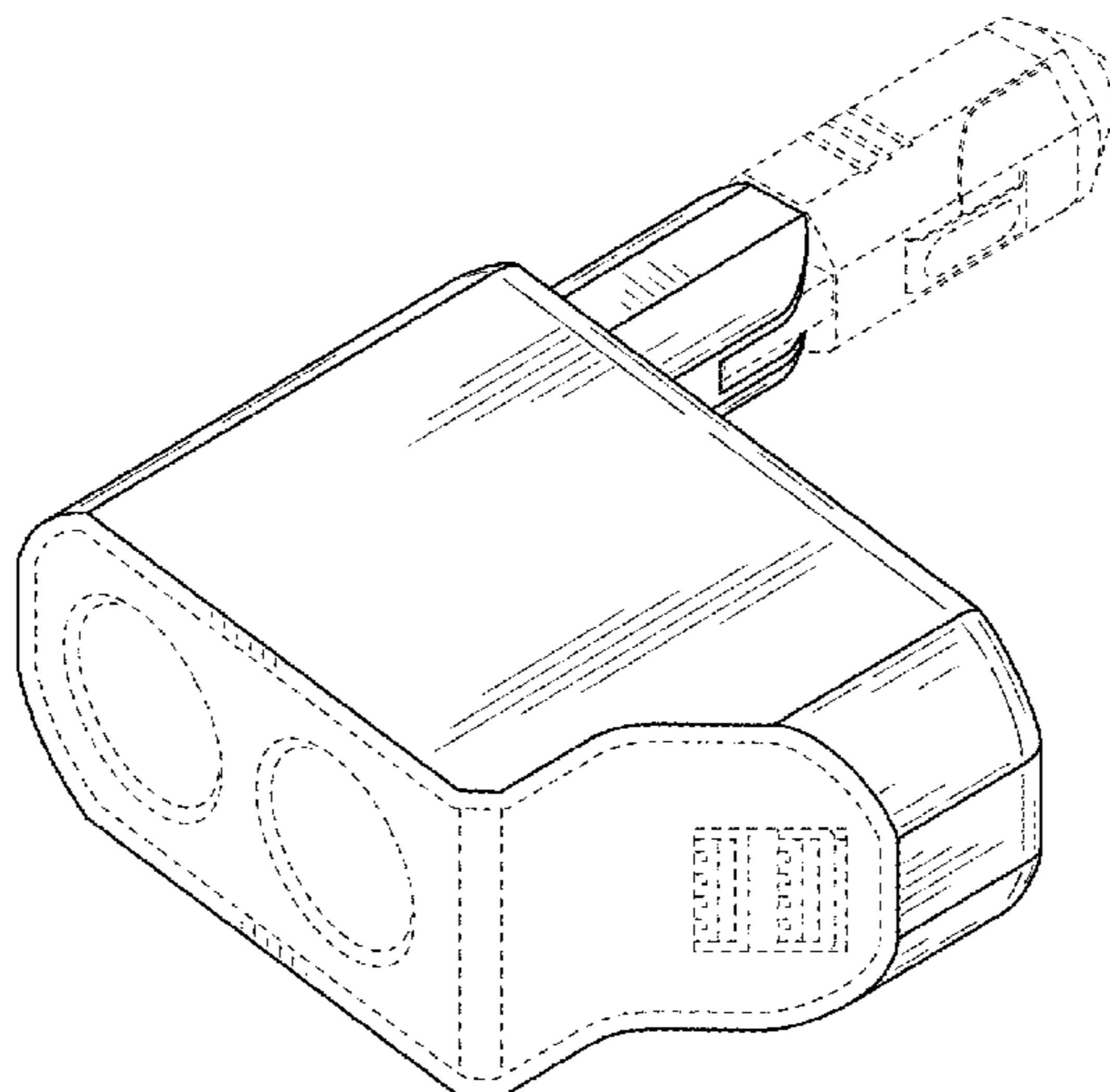
(58) **Field of Classification Search**
USPC D13/107–110, 118–119, 133, 144, 184;
D14/155, 251, 253, 432, 434; D28/85
CPC Y02E 60/12; Y02T 90/14; Y02T 90/122;
Y02T 90/128; Y02T 90/163; H02J 7/025;
H02J 7/0042; H02J 7/0044; H02J 7/0045;
H02J 7/0003; H02J 7/0054; H02J 7/0055;
H02J 7/0057; H01F 38/14; H01M 2/1022;
H01M 2/1055; H01M 10/44; H01M 10/46;
H01M 10/425; H01R 13/70; H01R 13/71;
H01R 13/66; H01R 13/6675; H01R 2201/26;
H05K 11/02; B60L 11/182
See application file for complete search history.

DESCRIPTION

FIG. 1 is a first perspective view of a charging device
showing my new design;
FIG. 2 is a front view thereof;
FIG. 3 is a rear view thereof;
FIG. 4 is a first side view thereof;
FIG. 5 is a second side view thereof;
FIG. 6 is a top view thereof;
FIG. 7 is a bottom view thereof; and,
FIG. 8 is a second perspective view thereof.
The broken lines shown in the drawings are included for the
purpose of illustrating portions of the article that form no
part of the claimed design.

(56) **References Cited**
U.S. PATENT DOCUMENTS
D306,574 S * 3/1990 Schultz D13/103
D318,648 S 7/1991 Collins

1 Claim, 3 Drawing Sheets



(56)

References Cited

U.S. PATENT DOCUMENTS

D608,284 S * 1/2010 Lin D13/144
D609,183 S * 2/2010 Stiff D13/144
D610,094 S * 2/2010 Ouimette D13/144
D632,652 S * 2/2011 Wikel D13/144
D676,382 S * 2/2013 McSweyn D13/108
D677,622 S * 3/2013 Cole D13/108
D678,206 S * 3/2013 McSweyn D13/144
D700,572 S 3/2014 Esses
D700,573 S 3/2014 Esses
D709,891 S 7/2014 Alesi et al.
D721,036 S * 1/2015 Kreitzer D13/133
D721,038 S * 1/2015 Chiu D13/144
D723,466 S * 3/2015 Wang D13/110

D730,837 S 6/2015 Nazar
D734,720 S 7/2015 Alesi et al.
2007/0155249 A1* 7/2007 Cheng H01R 13/70
439/668
2008/0032650 A1 2/2008 Zhang et al.
2009/0315513 A1* 12/2009 Mkhitarian H02J 7/0045
320/114

FOREIGN PATENT DOCUMENTS

BX 39062-02 S 8/2012
EM 0026204190001 S 3/2015
FR 20125776 S 12/2012
TW D154626 S 7/2013

* cited by examiner

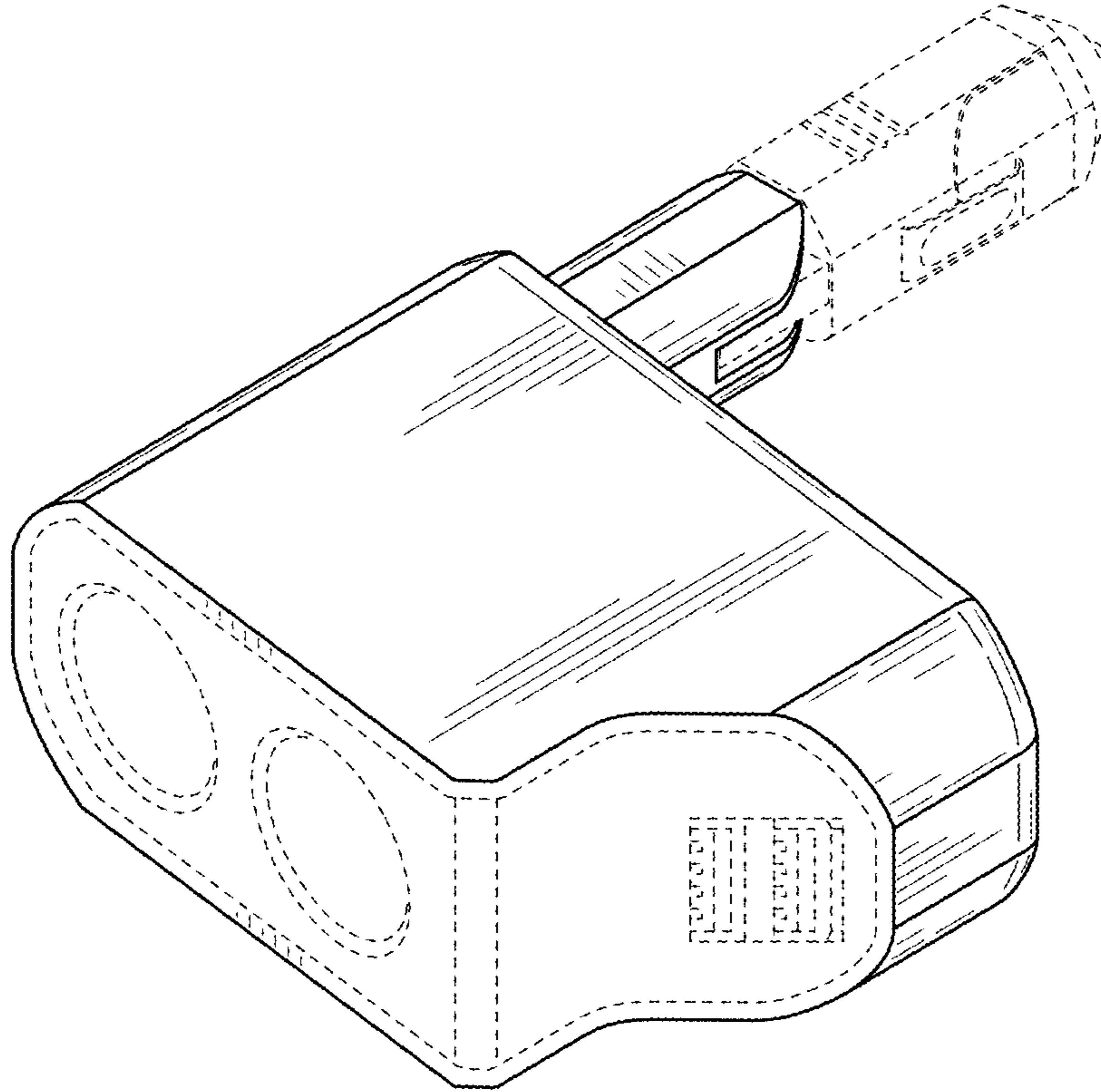


FIG. 1

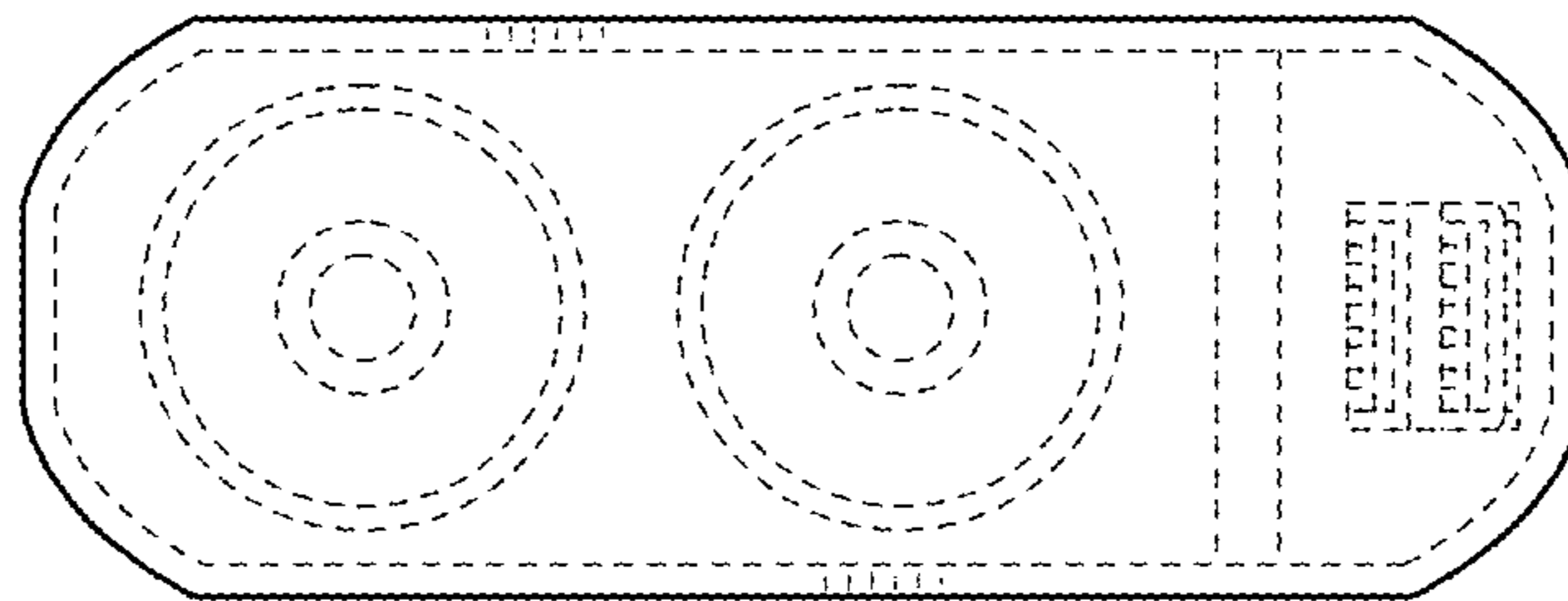


FIG. 2

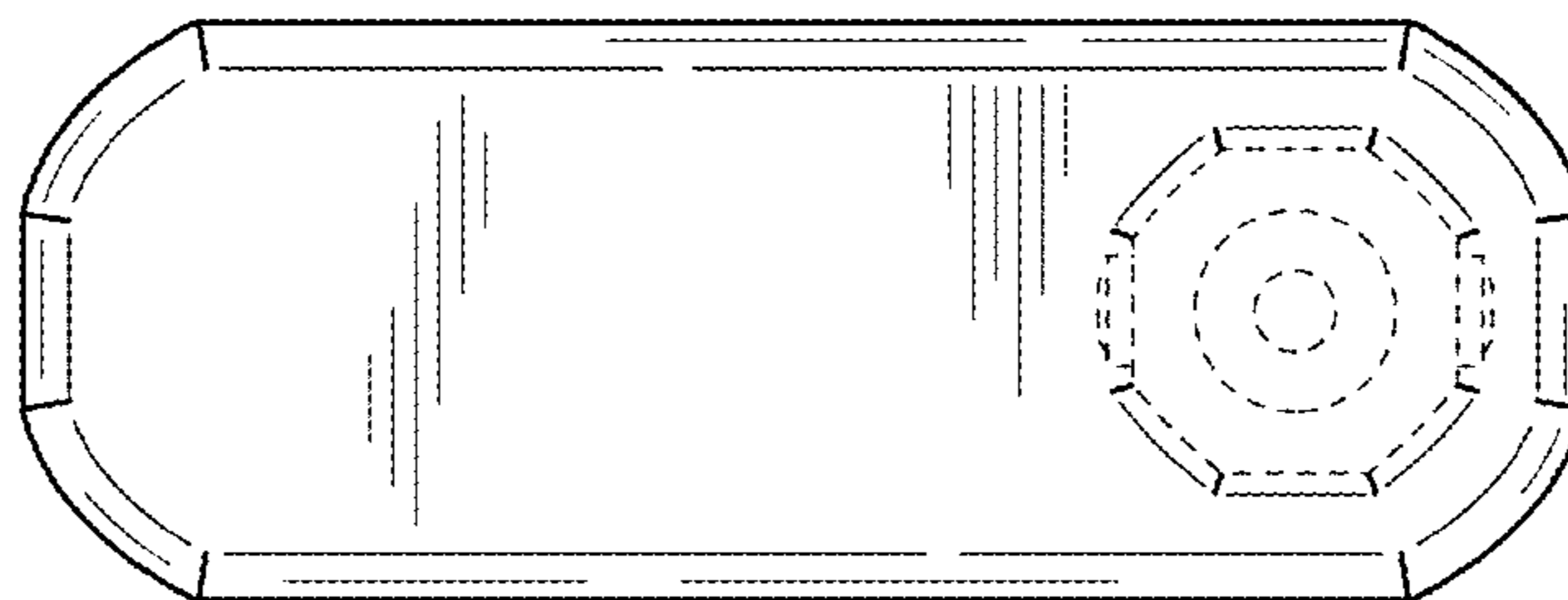


FIG. 3

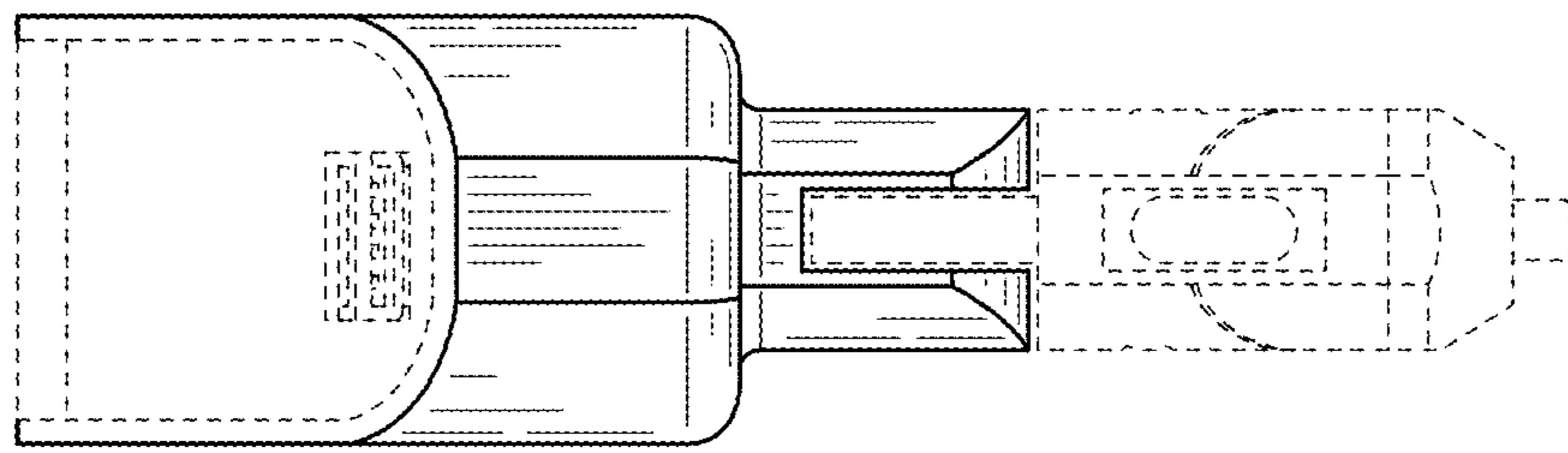


FIG. 4

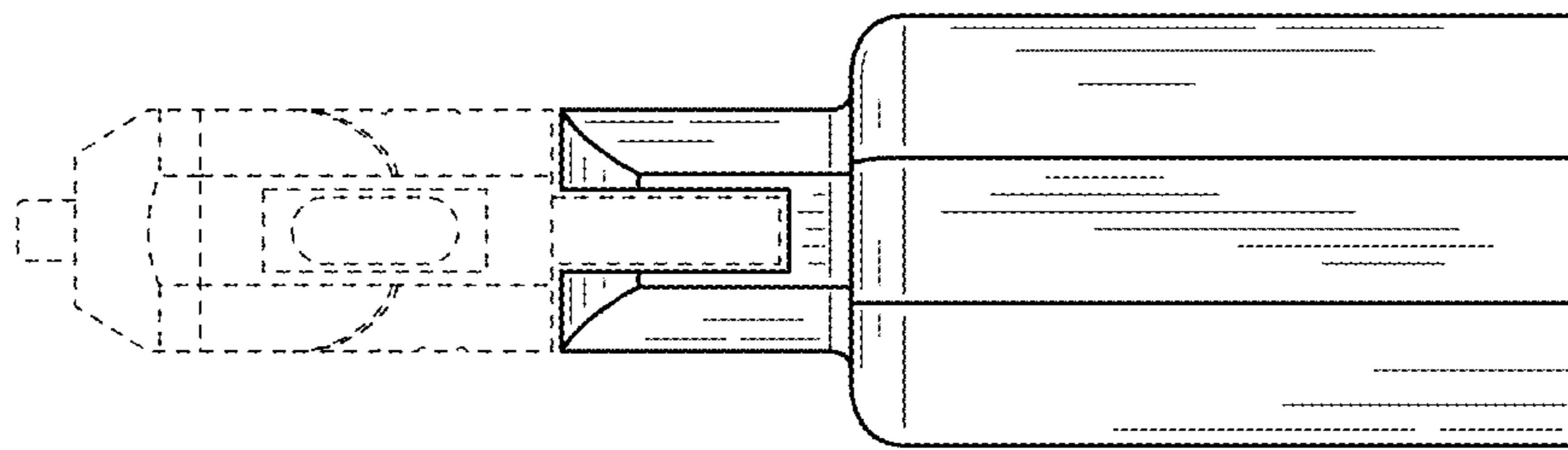


FIG. 5

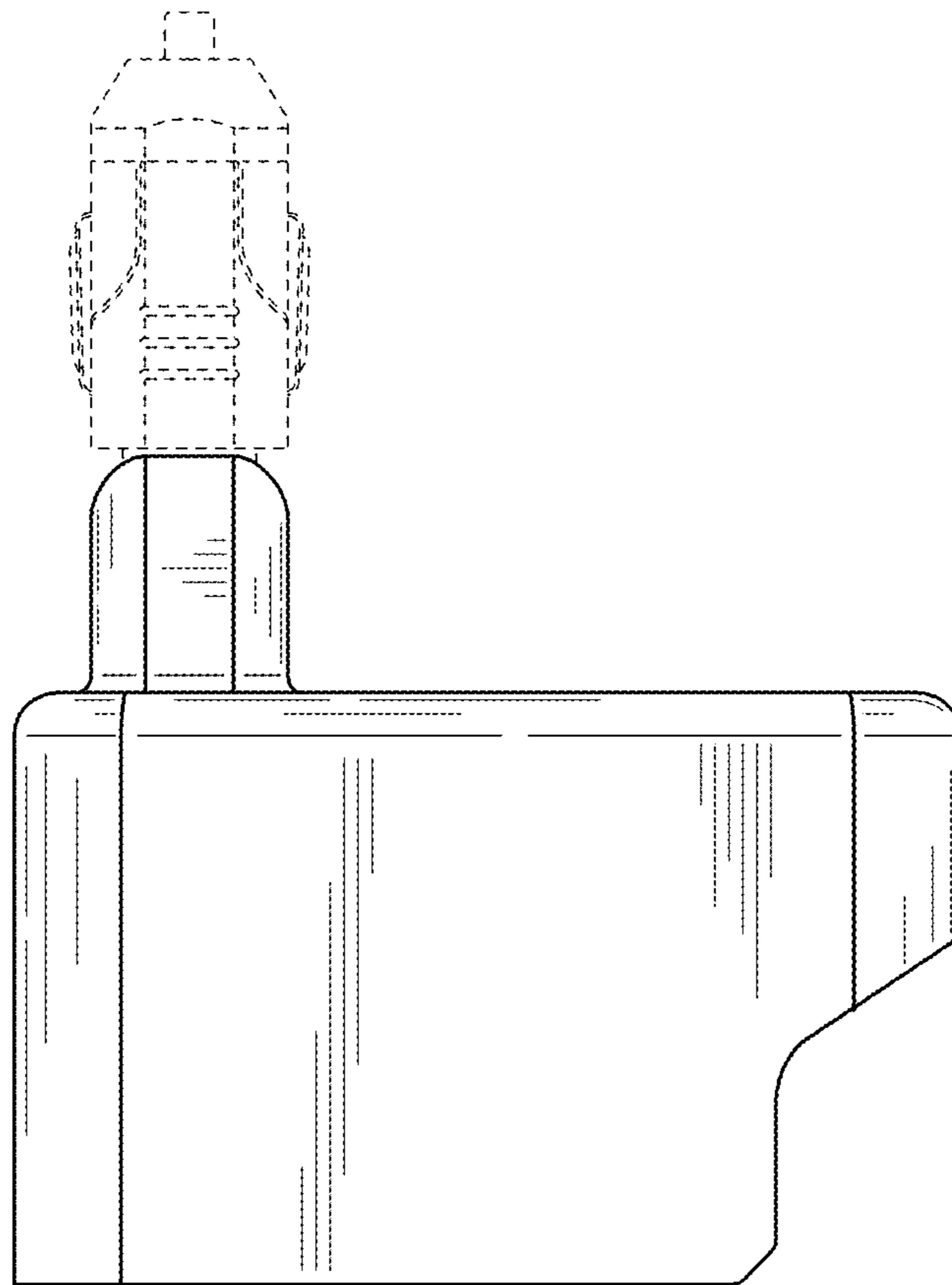


FIG. 6

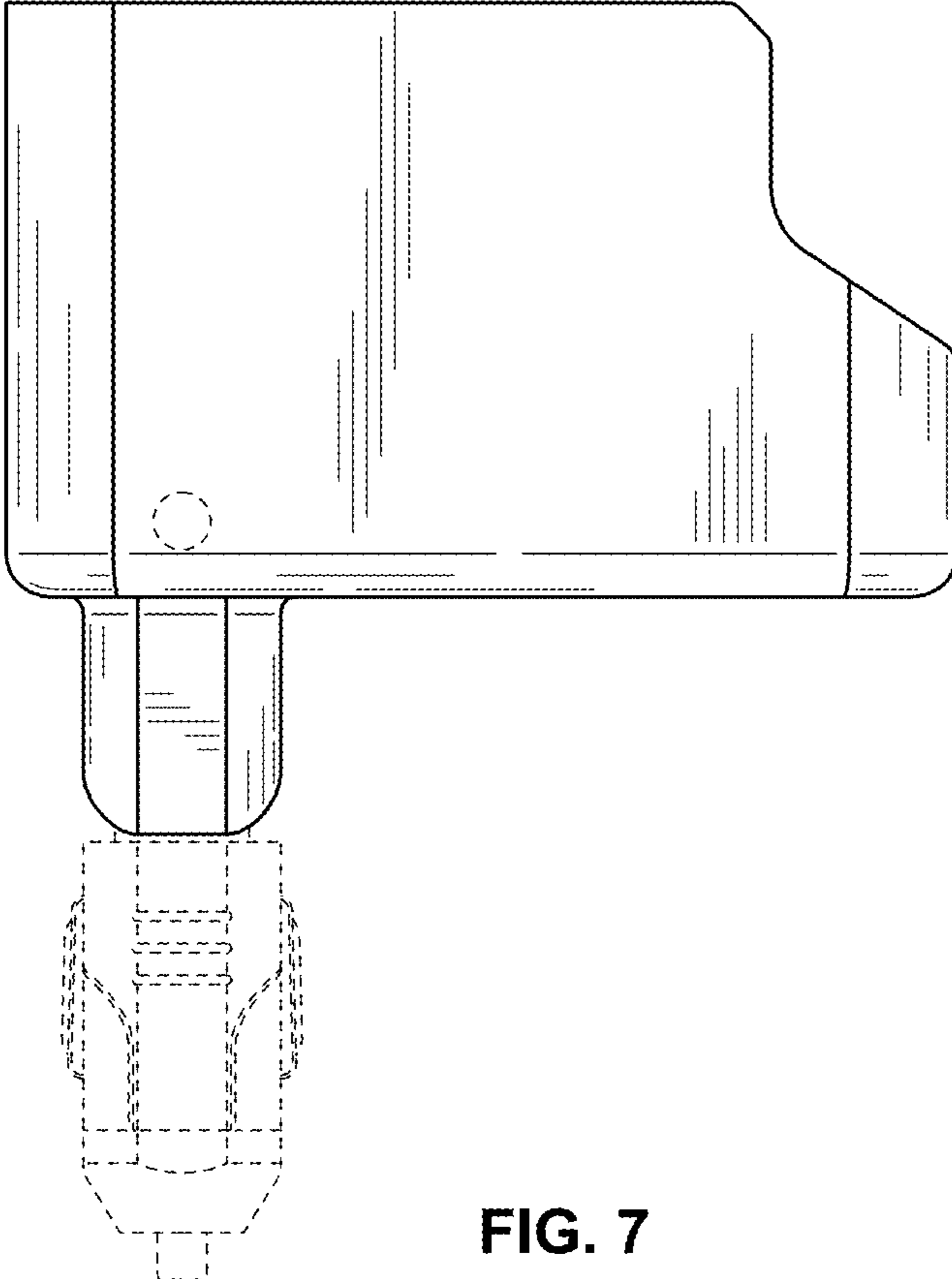


FIG. 7

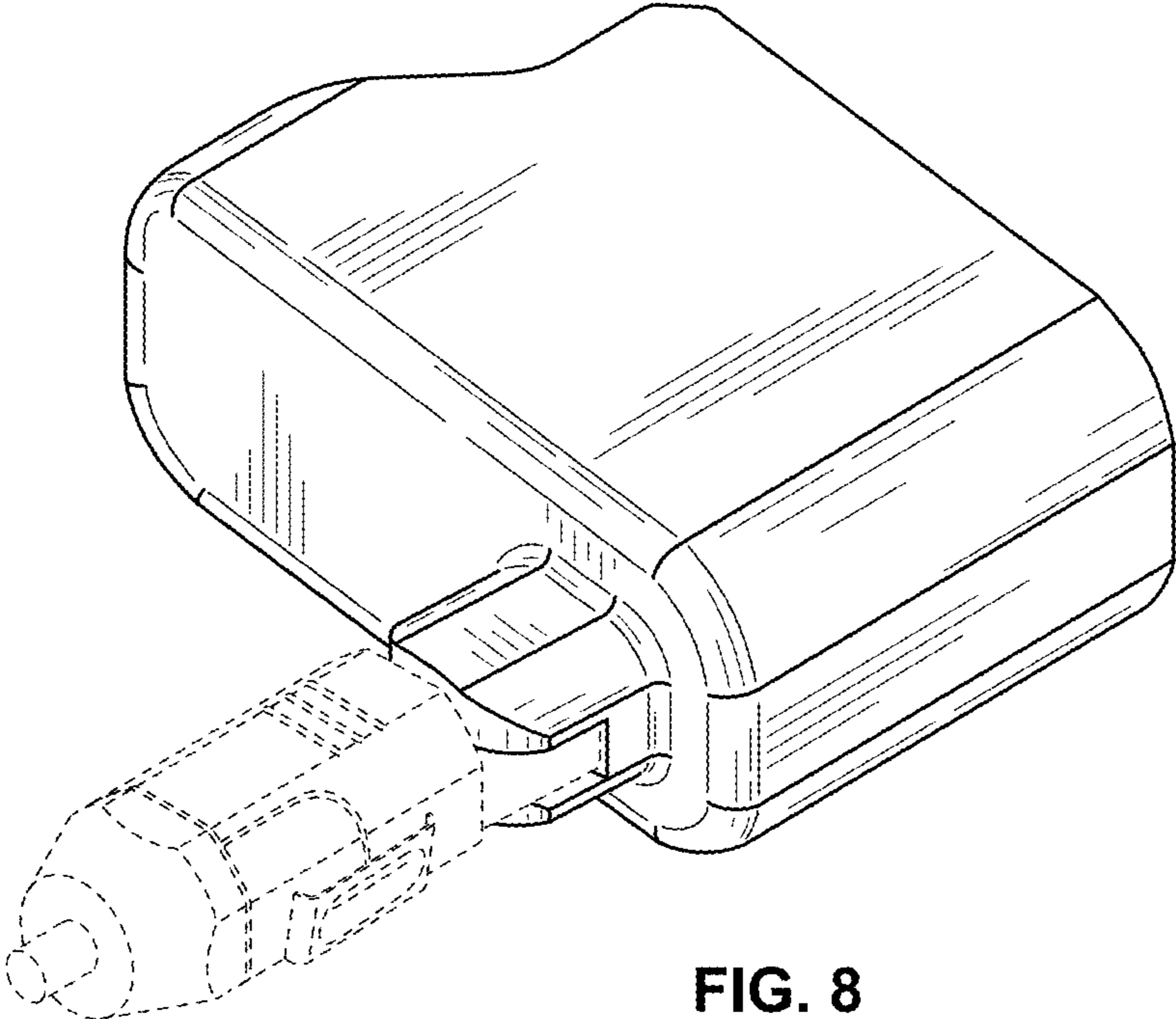


FIG. 8