



US00D769182S

(12) **United States Design Patent**
Iwabuchi

(10) **Patent No.:** **US D769,182 S**
(45) **Date of Patent:** **** Oct. 18, 2016**

(54) **SIDEWALL OF AN AUTOMOBILE TIRE**

FOREIGN PATENT DOCUMENTS

(71) Applicant: **BRIDGESTONE CORPORATION**,
Tokyo (JP)

JP 2011-105231 A 6/2011
JP 1441962 S 5/2012

(72) Inventor: **Sotaro Iwabuchi**, Tokyo (JP)

OTHER PUBLICATIONS

(73) Assignee: **BRIDGESTONE CORPORATION**,
Tokyo (JP)

Tire Buyer. Bridgestone Turanza Serenity Plus. Dec. 12, 2012 [earliest online date], [site visited May 18, 2016]. Available from Internet, <URL:http://www.tirebuyer.com/tires/bridgestone/turanza-serenity-plus/p/style/58656>.*

(**) Term: **14 Years**

Japanese Office Action for corresponding JP 2014-021237 dated Feb. 3, 2015.

(21) Appl. No.: **29/520,636**

(22) Filed: **Mar. 17, 2015**

* cited by examiner

(30) **Foreign Application Priority Data**

Sep. 25, 2014 (JP) 2014-021237

(51) **LOC (10) Cl.** **12-15**

(52) **U.S. Cl.**
USPC **D12/605**

(58) **Field of Classification Search**
USPC D7/396.4, 396.5, 588; D12/500, 503,
D12/506, 605; 152/209.8, 209.12, 517, 523,
152/524, DIG. 12

CPC B60C 13/00
See application file for complete search history.

Primary Examiner — Robert M Spear

Assistant Examiner — Darcey E Heflin

(74) *Attorney, Agent, or Firm* — Sughrue Mion, PLLC

(57) **CLAIM**

The ornamental design for a sidewall of an automobile tire, as shown and described.

DESCRIPTION

FIG. 1 is a perspective view of a sidewall of an automobile tire showing my design;

FIG. 2 is a front view thereof;

FIG. 3 is a top view thereof;

FIG. 4 is a right side view thereof;

FIG. 5 is a rear view thereof;

FIG. 6 is a fragmentary enlarged front view showing the details of the sidewall portion defined by lines A-A and B-B in FIG. 2; and,

FIG. 7 is an enlarged cross-sectional view taken along line 7-7 in FIG. 6.

The broken lines are used to show portions of the sidewall of an automobile tire that are not being claimed, and thus form no part of the claimed design.

(56) **References Cited**

U.S. PATENT DOCUMENTS

D207,572 S *	5/1967	Ueno	D12/605
D281,127 S *	10/1985	Unger	D7/588
D327,810 S *	7/1992	Unger	D7/396.4
D349,210 S *	8/1994	Capella	D7/396.4
D640,186 S *	6/2011	Miyazaki	D12/605
D676,805 S *	2/2013	Iwabuchi	D12/605
D677,217 S *	3/2013	Iwabuchi	D12/605
D735,653 S *	8/2015	Rittweger	D12/605
D750,015 S *	2/2016	Scheifele	D12/605
D750,553 S *	3/2016	Scheifele	D12/605
D750,555 S *	3/2016	Iwabuchi	D12/605

1 Claim, 7 Drawing Sheets

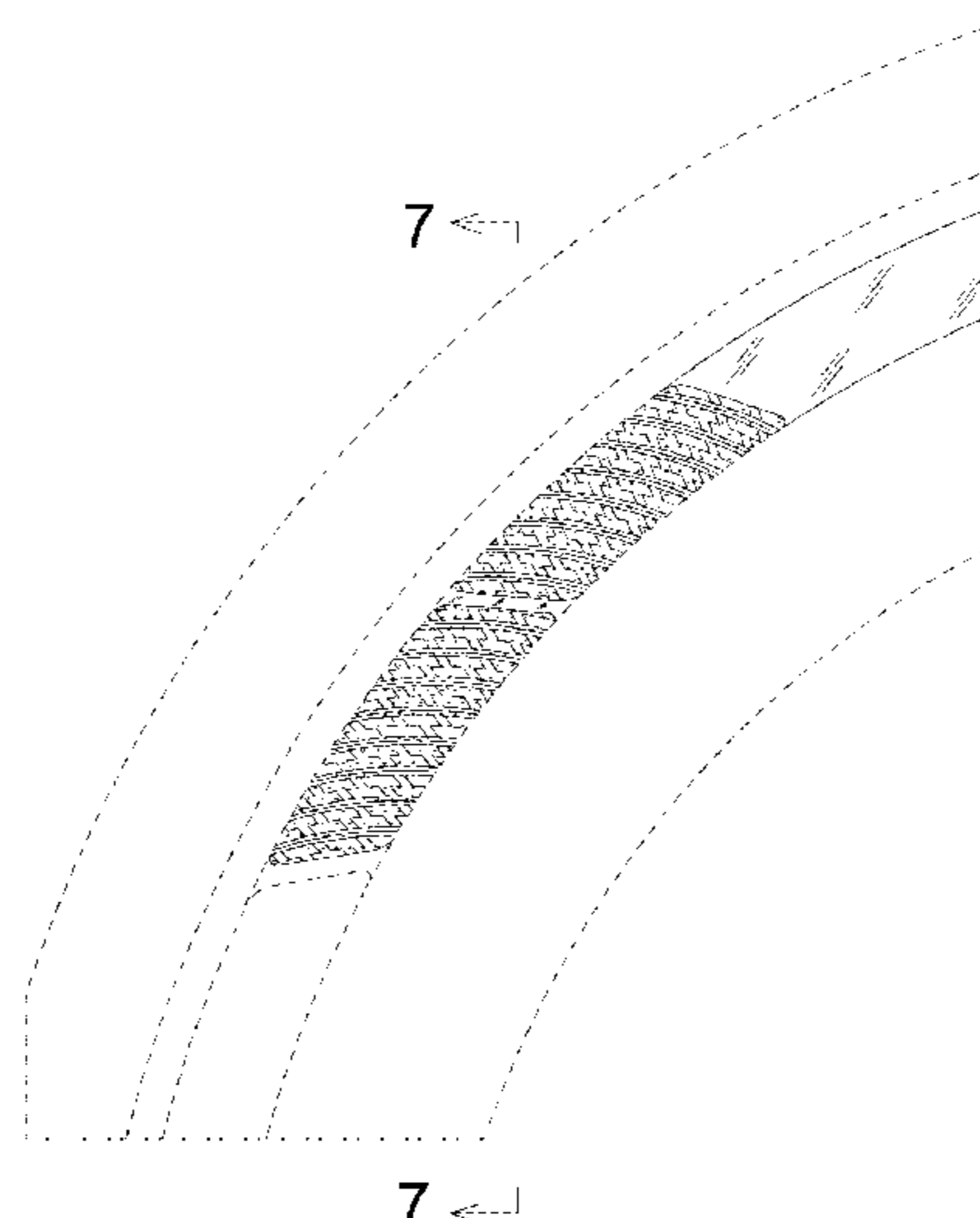
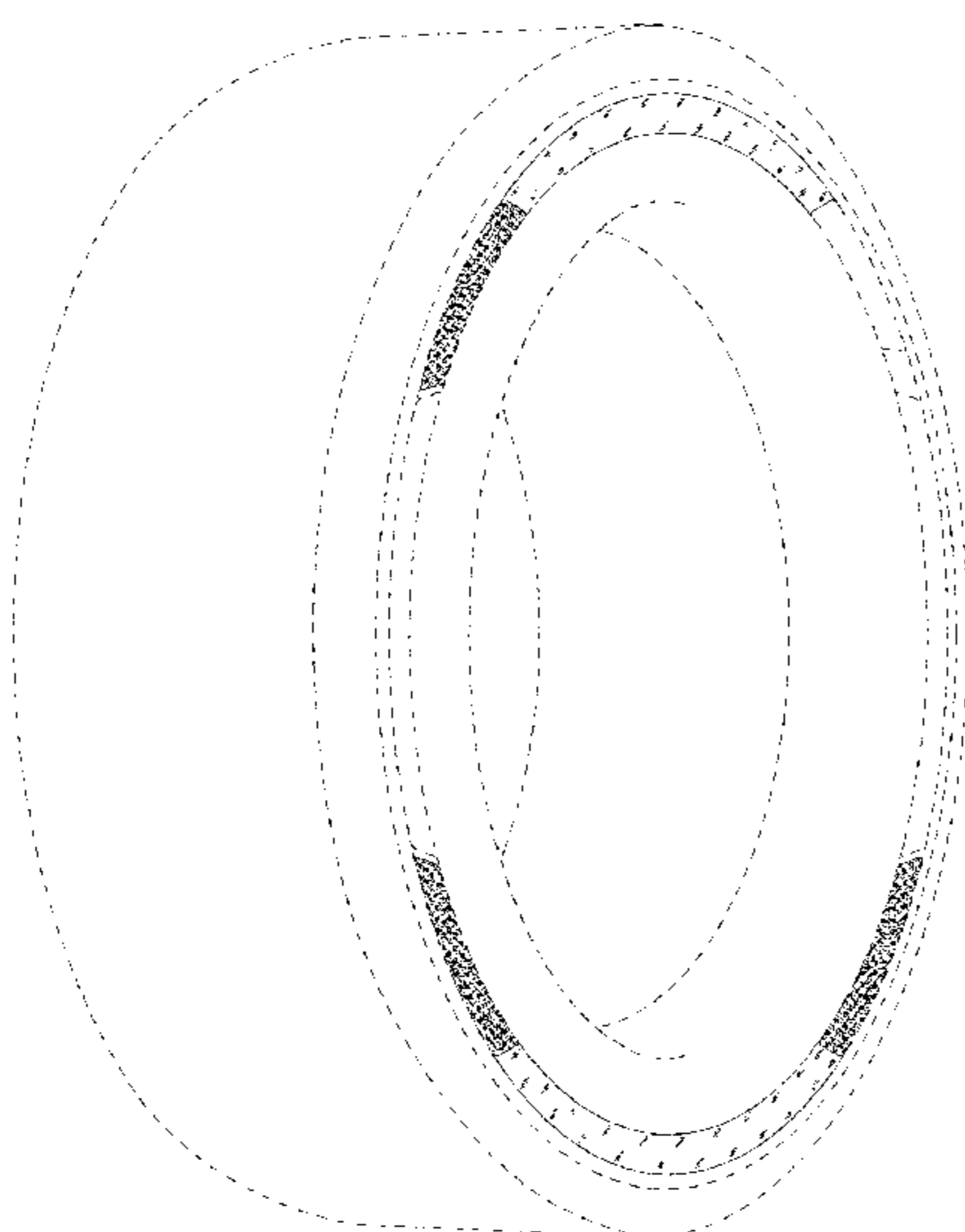


FIG. 1

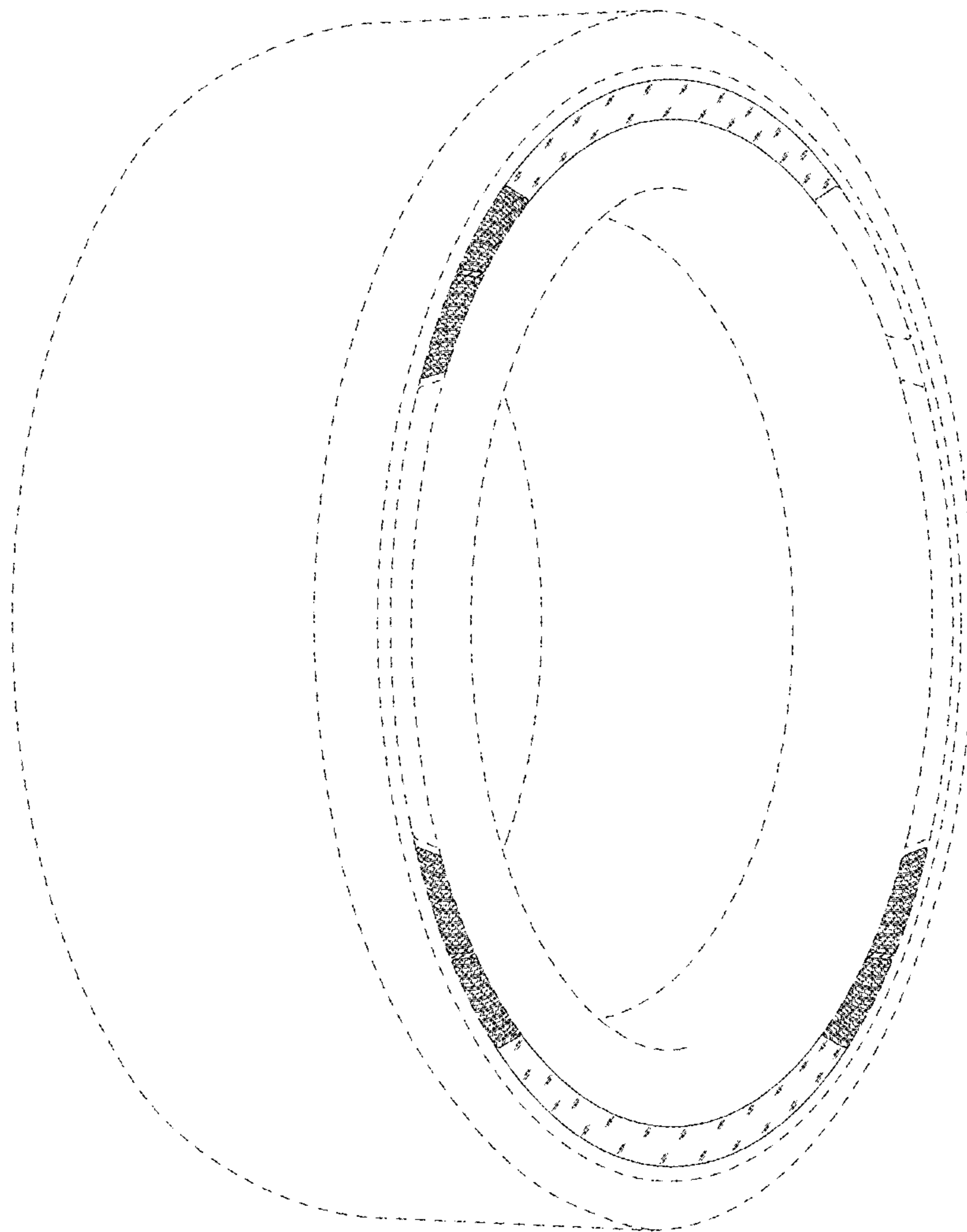


FIG. 2

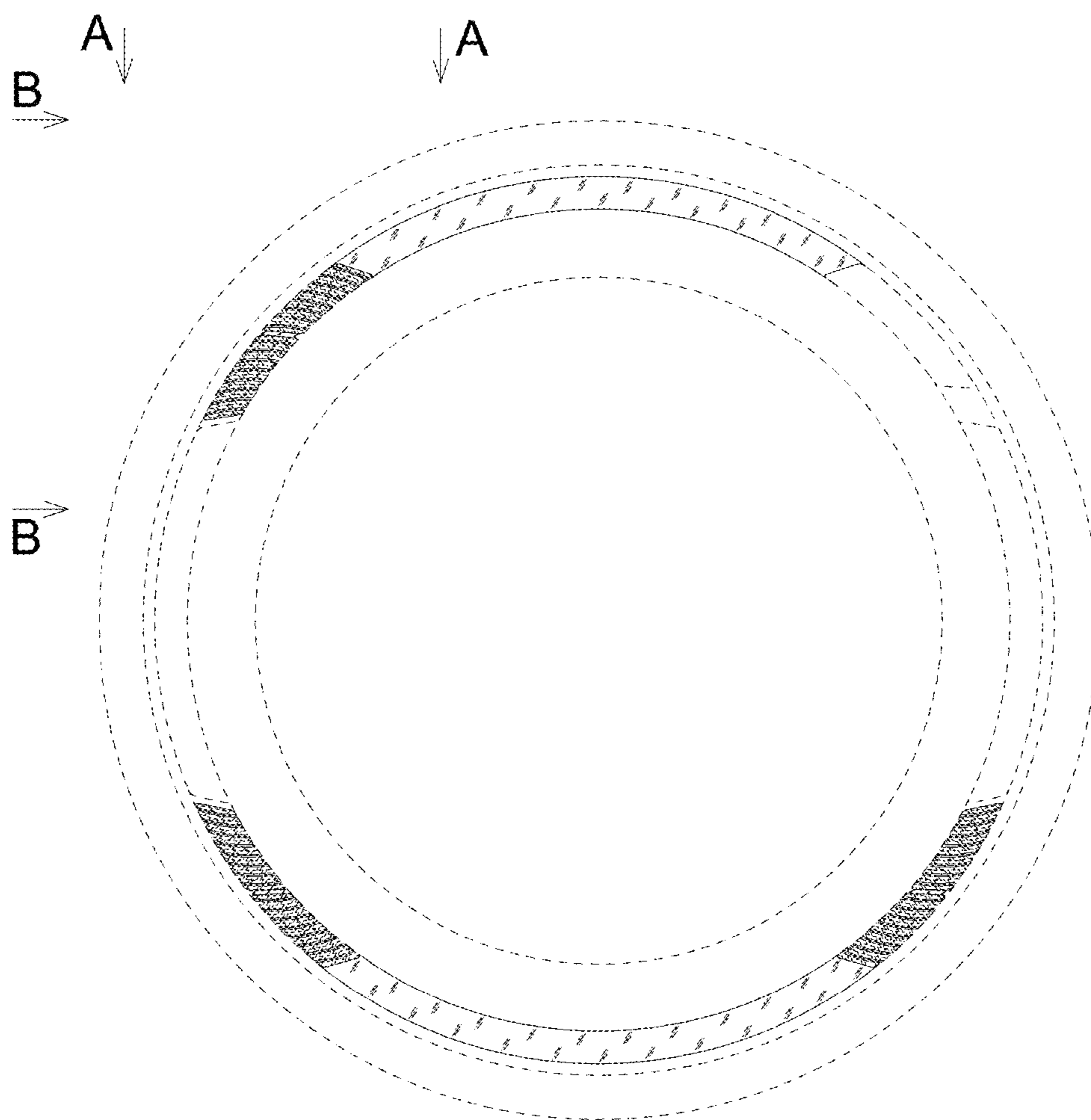


FIG. 3



FIG. 4

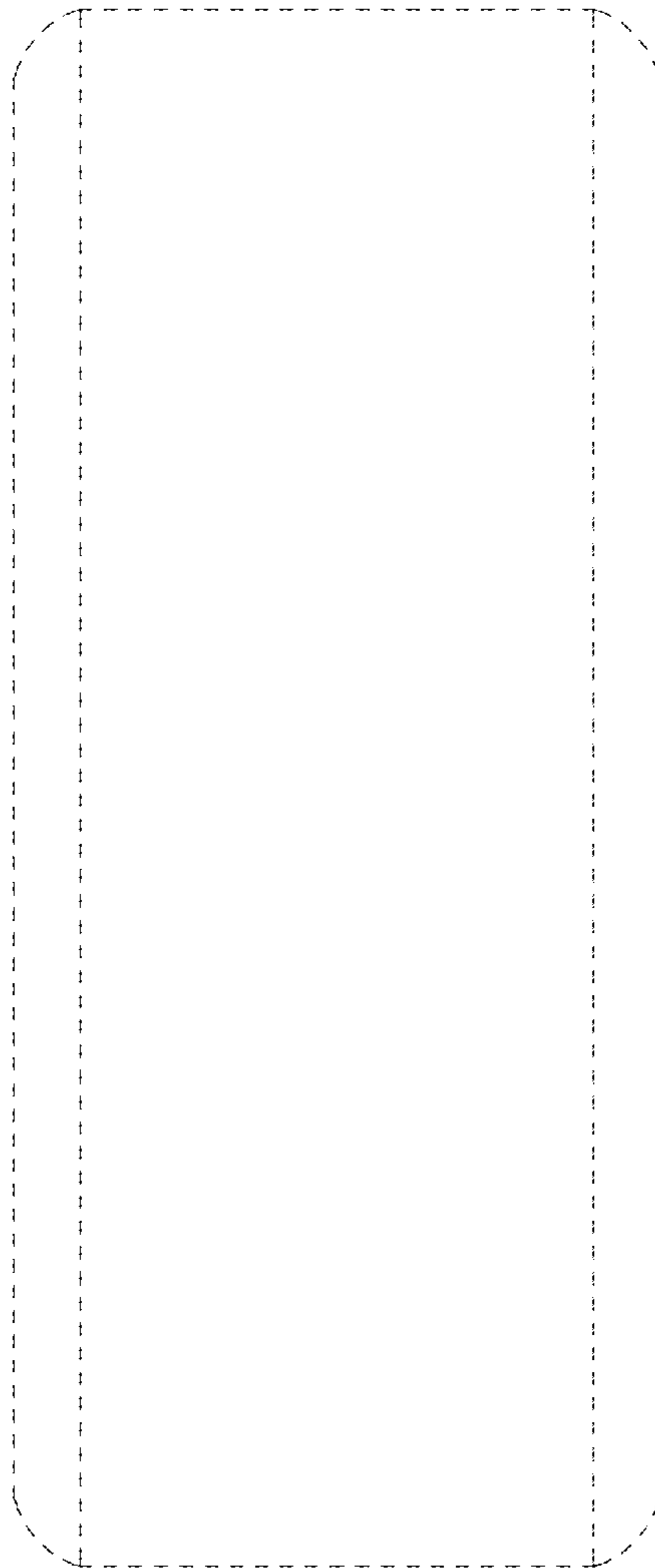


FIG. 5

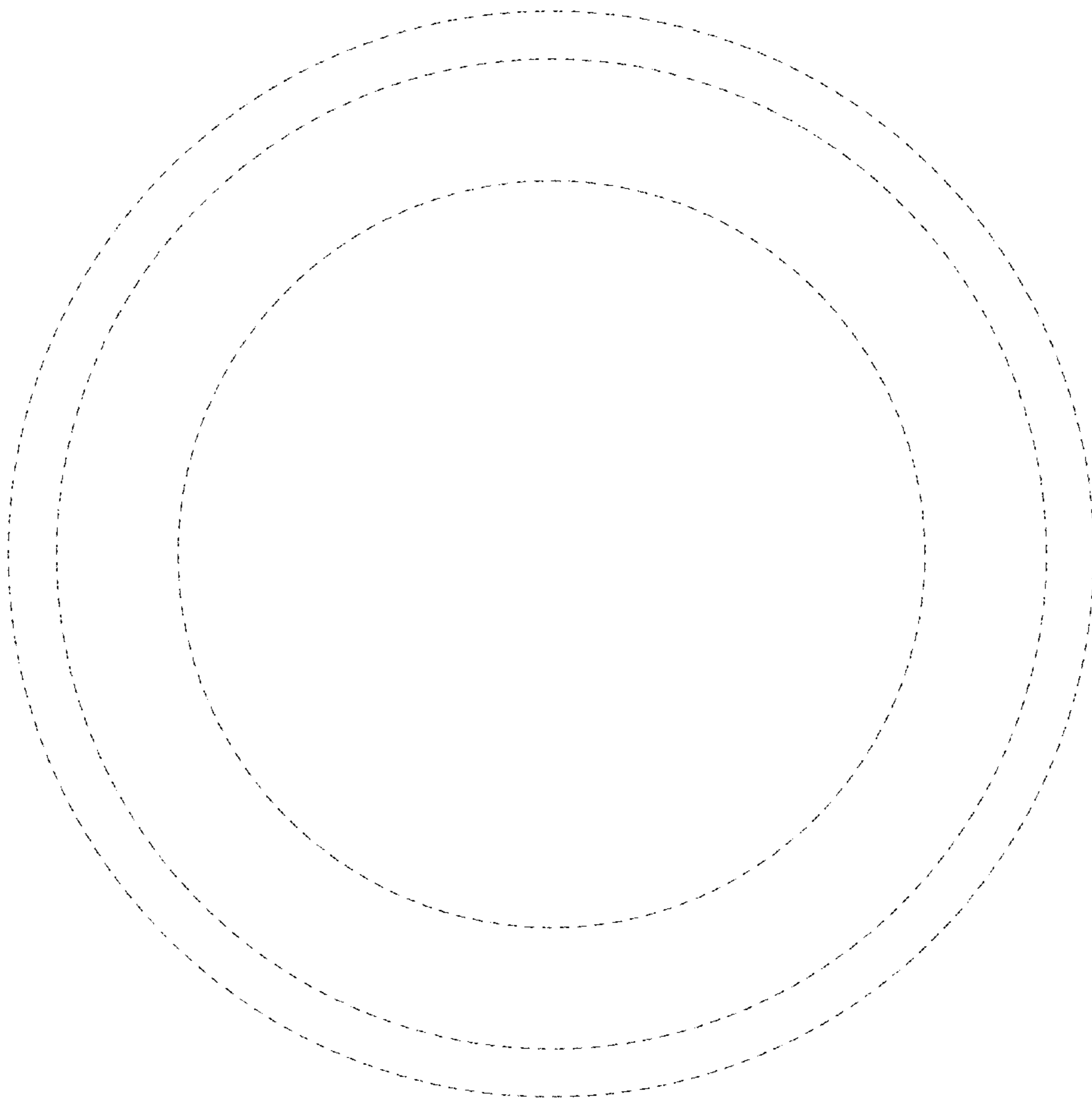


FIG. 6

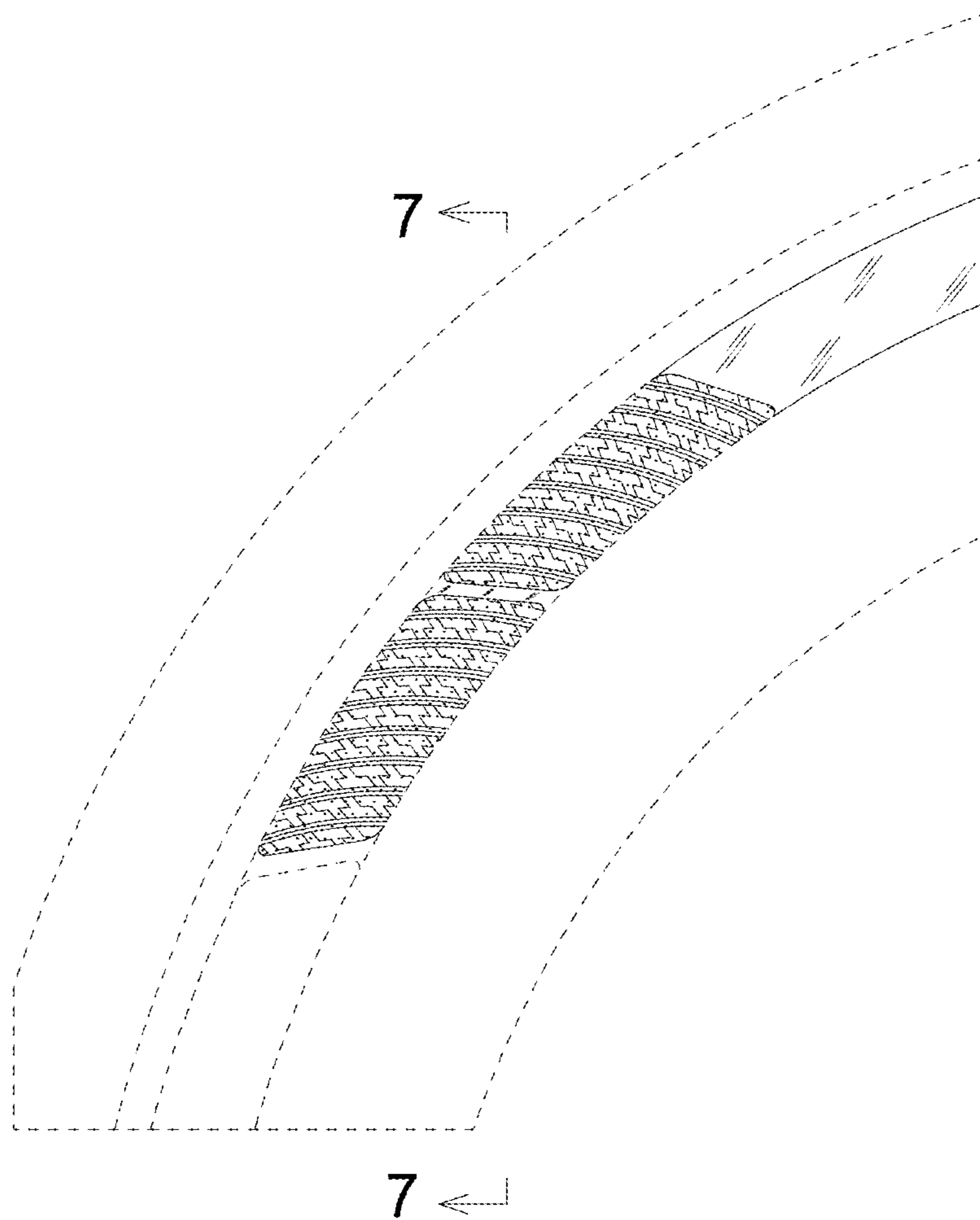


FIG. 7

