



US00D769179S

(12) **United States Design Patent**  
**Demos**

(10) **Patent No.:** **US D769,179 S**  
(45) **Date of Patent:** **\*\* Oct. 18, 2016**

- (54) **GAP FILLER POCKET ASSEMBLY**
- (71) Applicant: **Christopher G. Demos**, Park Ridge, IL (US)
- (72) Inventor: **Christopher G. Demos**, Park Ridge, IL (US)
- (\*\*) Term: **14 Years**
- (21) Appl. No.: **29/495,521**
- (22) Filed: **Jul. 1, 2014**
- (51) **LOC (10) Cl.** ..... **12-16**
- (52) **U.S. Cl.**  
USPC ..... **D12/416**
- (58) **Field of Classification Search**  
USPC ..... D12/415-420, 400, 191, 106, 195, 345, D12/96, 99  
CPC ..... B60R 7/08; B60R 7/04  
See application file for complete search history.

6,422,440 B1 \* 7/2002 Stone ..... B60R 7/043  
224/275  
D679,240 S \* 4/2013 Krankkala ..... D12/416  
D685,718 S \* 7/2013 Williams ..... D12/416

\* cited by examiner

*Primary Examiner* — Katrina A Betton  
(74) *Attorney, Agent, or Firm* — Christopher J Scott

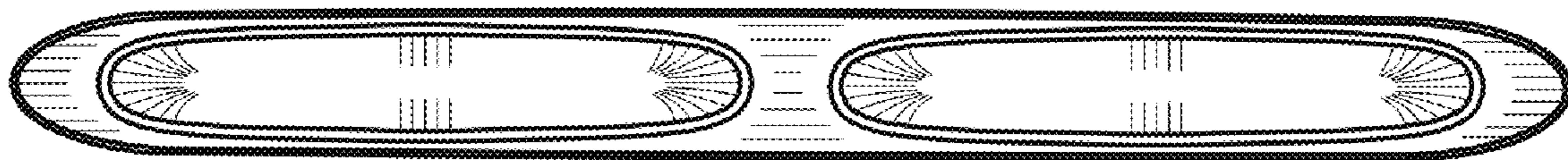
(57) **CLAIM**  
The ornamental design for a gap filler pocket assembly, as shown and described.

**DESCRIPTION**

FIG. 1 is a top perspective view of the gap filler pocket assembly.  
 FIG. 2 is a top plan view of the gap filler pocket assembly.  
 FIG. 3 is a first lateral elevational view of the gap filler pocket assembly.  
 FIG. 4 is a second lateral elevational view opposite the first lateral elevational view of the gap filler pocket assembly.  
 FIG. 5 is a bottom plan view of the gap filler pocket assembly.  
 FIG. 6 is a first end view of the gap filler pocket assembly.  
 FIG. 7 is a second end view opposite the first end view of the gap filler pocket assembly; and,  
 FIG. 8 is a top plan view of a first and a second gap filler pocket assembly shown in a condition of use.  
 All broken lines are included for the purpose of illustrating the gap filler pocket assembly in the condition of use and form no part of the claimed design.

- (56) **References Cited**  
U.S. PATENT DOCUMENTS  
D200,547 S \* 3/1965 MacKay ..... 108/46  
D293,162 S \* 12/1987 Carmichael ..... 902/30  
D338,780 S \* 8/1993 Rance ..... D12/416  
D346,066 S \* 4/1994 Smith ..... D12/416  
D379,452 S \* 5/1997 Russell ..... D12/416  
D432,075 S \* 10/2000 Hassett ..... D12/416  
D441,341 S \* 5/2001 Hassett ..... D12/416

**1 Claim, 3 Drawing Sheets**



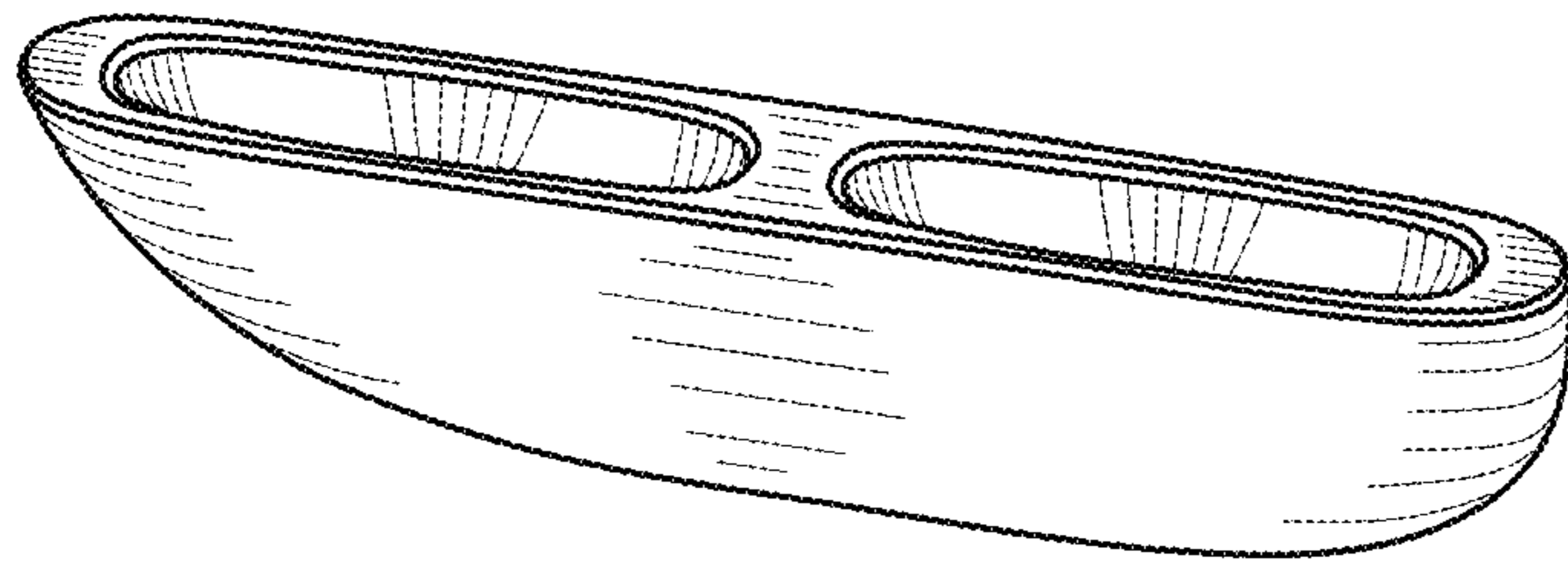


Fig. 1

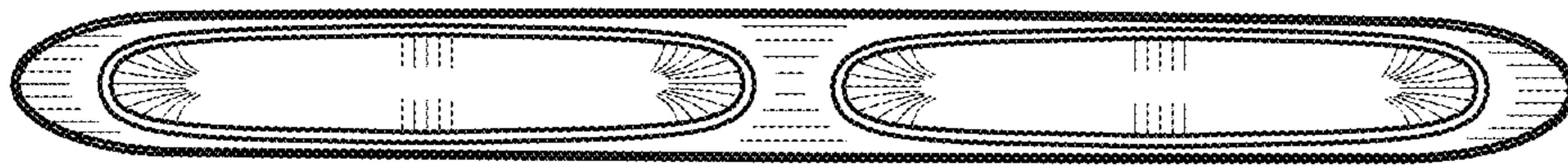


Fig. 2

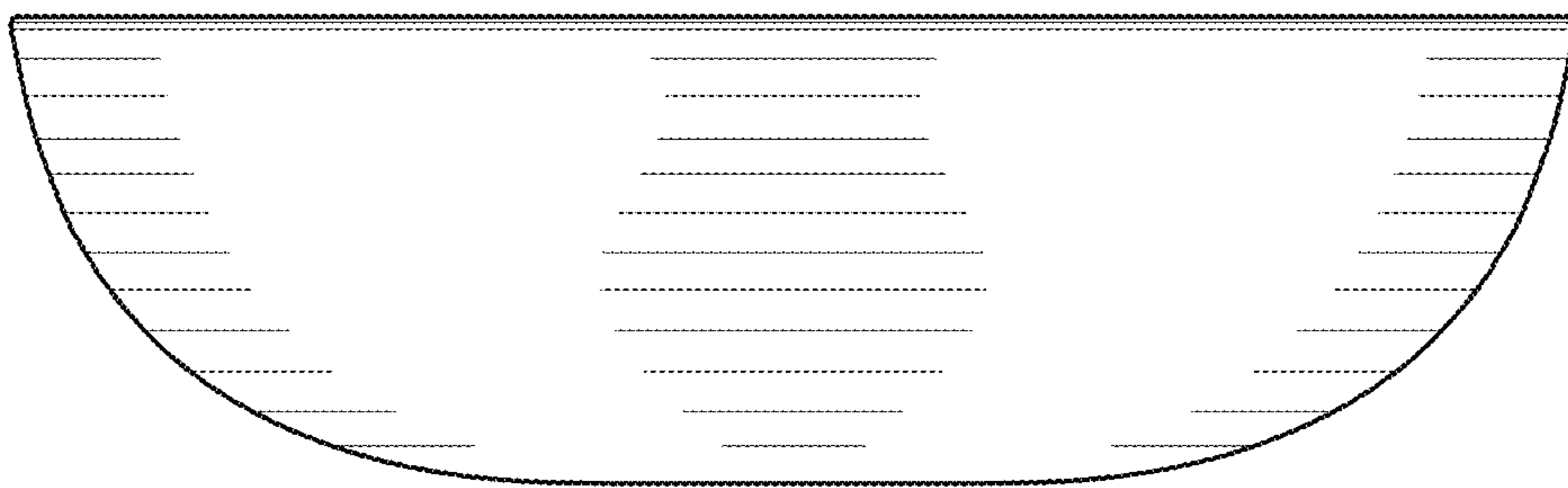


Fig. 3

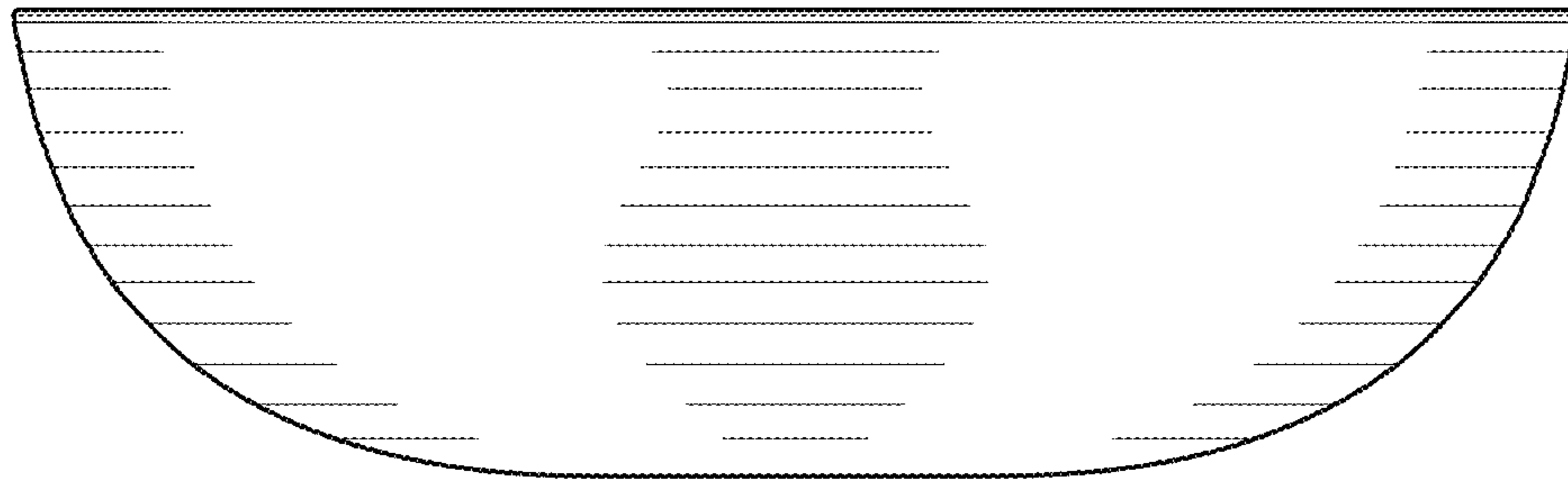


Fig. 4



Fig. 5

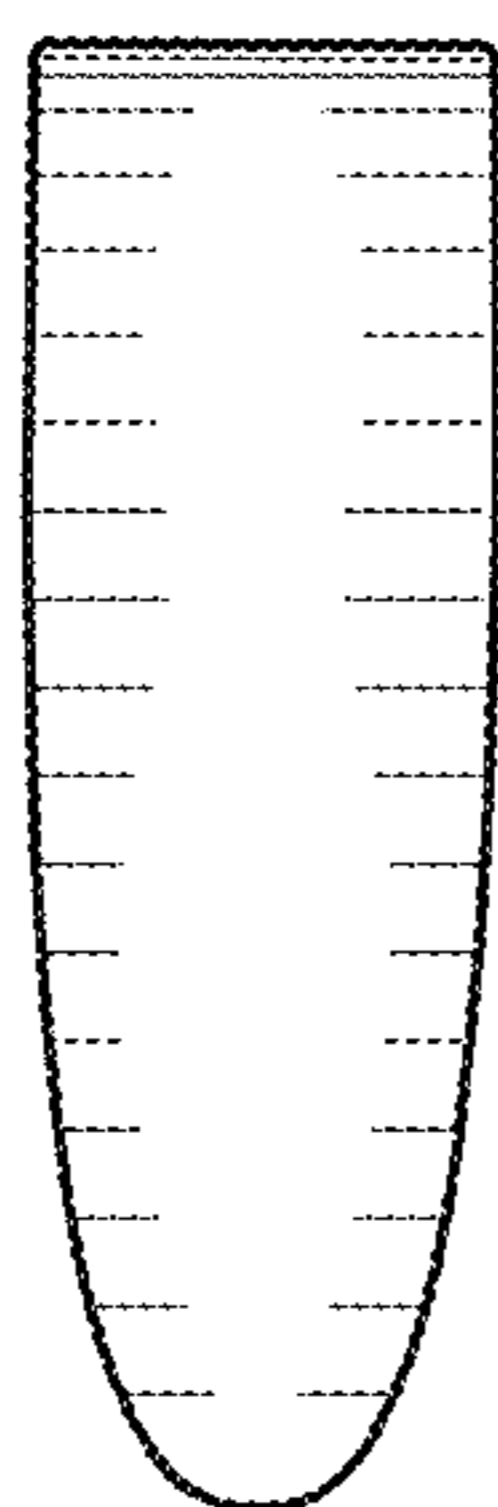


Fig. 6

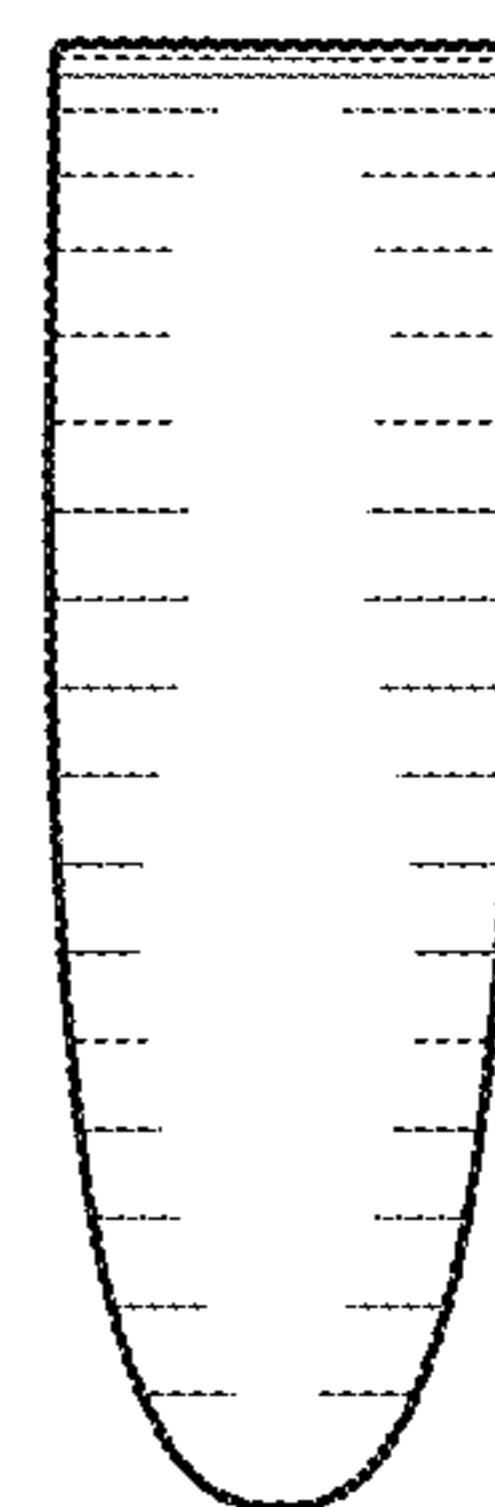


Fig. 7

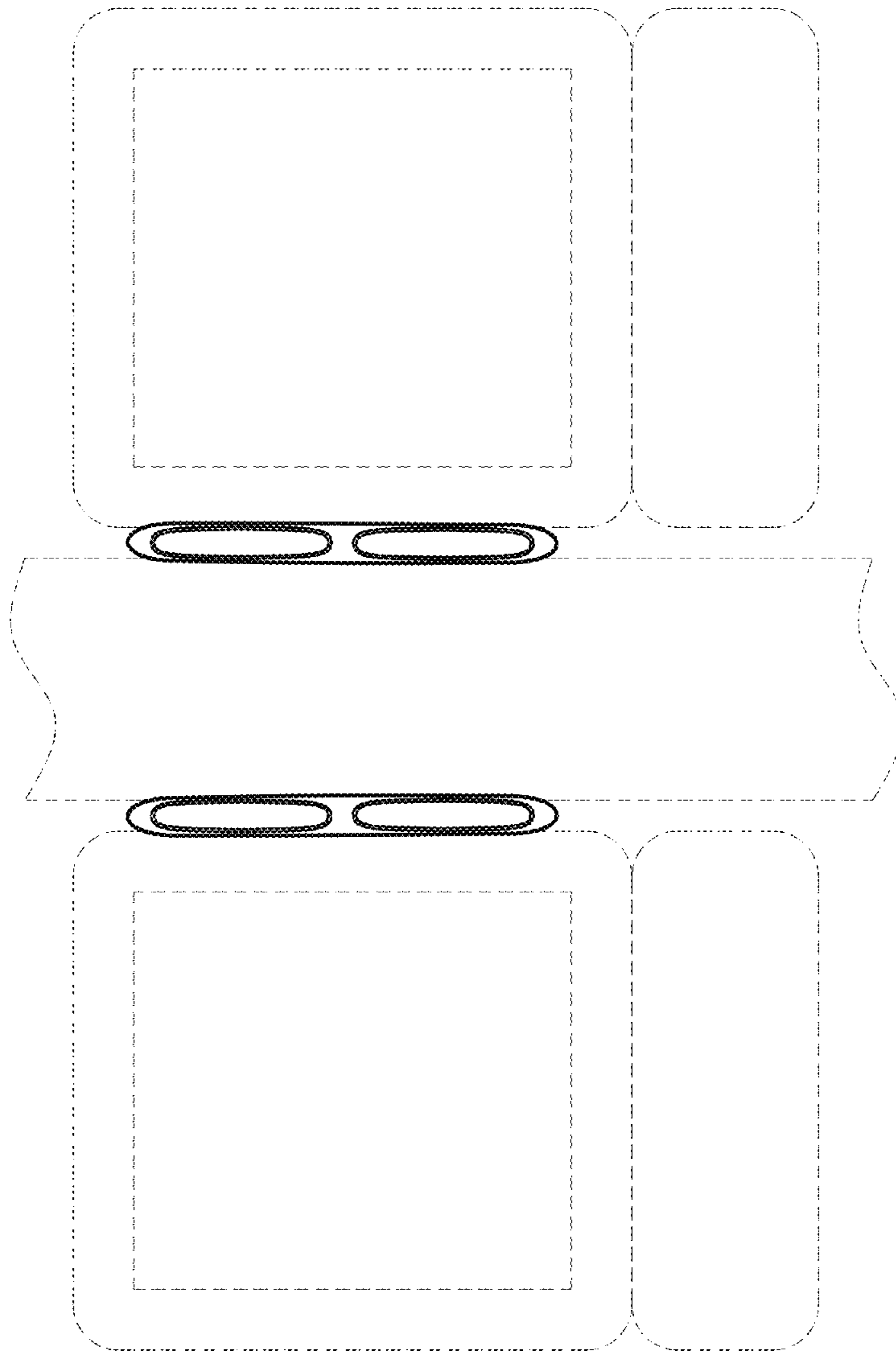


Fig. 8