



US00D769177S

(12) **United States Design Patent**  
**Tran et al.**

(10) **Patent No.:** **US D769,177 S**  
(45) **Date of Patent:** **\*\* Oct. 18, 2016**

(54) **AIRCRAFT FUSELAGE CLOSEOUT**

(71) Applicants: **Dong Tran**, Los Angeles, CA (US);  
**Klaus Tritschler**, Los Angeles, CA (US)

(72) Inventors: **Dong Tran**, Los Angeles, CA (US);  
**Klaus Tritschler**, Los Angeles, CA (US)

(73) Assignee: **Icon Aircraft, Inc.**, Vacaville, CA (US)

(\*\*) Term: **14 Years**

(21) Appl. No.: **29/496,592**

(22) Filed: **Jul. 15, 2014**

(51) **LOC (10) Cl.** ..... **12-07**

(52) **U.S. Cl.**  
USPC ..... **D12/345**

(58) **Field of Classification Search**  
USPC ..... D12/319, 322, 323, 326, 327, 328, 329,  
D12/330, 339, 341, 342, 343, 344, 345;  
D21/436, 438, 439, 440, 441, 446, 447,  
D21/448, 449, 450, 453  
CPC ..... B64C 39/00; B64C 30/00; B64C 29/00  
See application file for complete search history.

(56) **References Cited**

**U.S. PATENT DOCUMENTS**

D388,392 S \* 12/1997 McGinnis ..... D12/319  
D530,659 S \* 10/2006 Guering ..... D12/319

D620,392 S \* 7/2010 Rodriguez ..... D12/3  
D620,838 S \* 8/2010 Miralles ..... D12/3  
D649,506 S \* 11/2011 Morelli ..... D12/319  
D684,103 S \* 6/2013 Morelli ..... D12/319  
D707,614 S \* 6/2014 Colten ..... D12/319  
D709,431 S \* 7/2014 Karkow ..... D12/324  
D728,445 S \* 5/2015 Colten ..... D12/16.1  
2003/0006340 A1 \* 1/2003 Harrison ..... B64C 29/0075  
244/12.3  
2006/0255208 A1 \* 11/2006 Hawkins ..... B64C 35/001  
244/105

\* cited by examiner

*Primary Examiner* — Robert M Spear

*Assistant Examiner* — Marissa J Cash

(74) *Attorney, Agent, or Firm* — Martensen IP

(57) **CLAIM**

The ornamental design for an aircraft fuselage closeout, as shown and described.

**DESCRIPTION**

FIG. 1 is a rear, top perspective view of an aircraft fuselage closeout showing our new design and its environment.

FIG. 2 is a detail rear, top perspective view thereof;

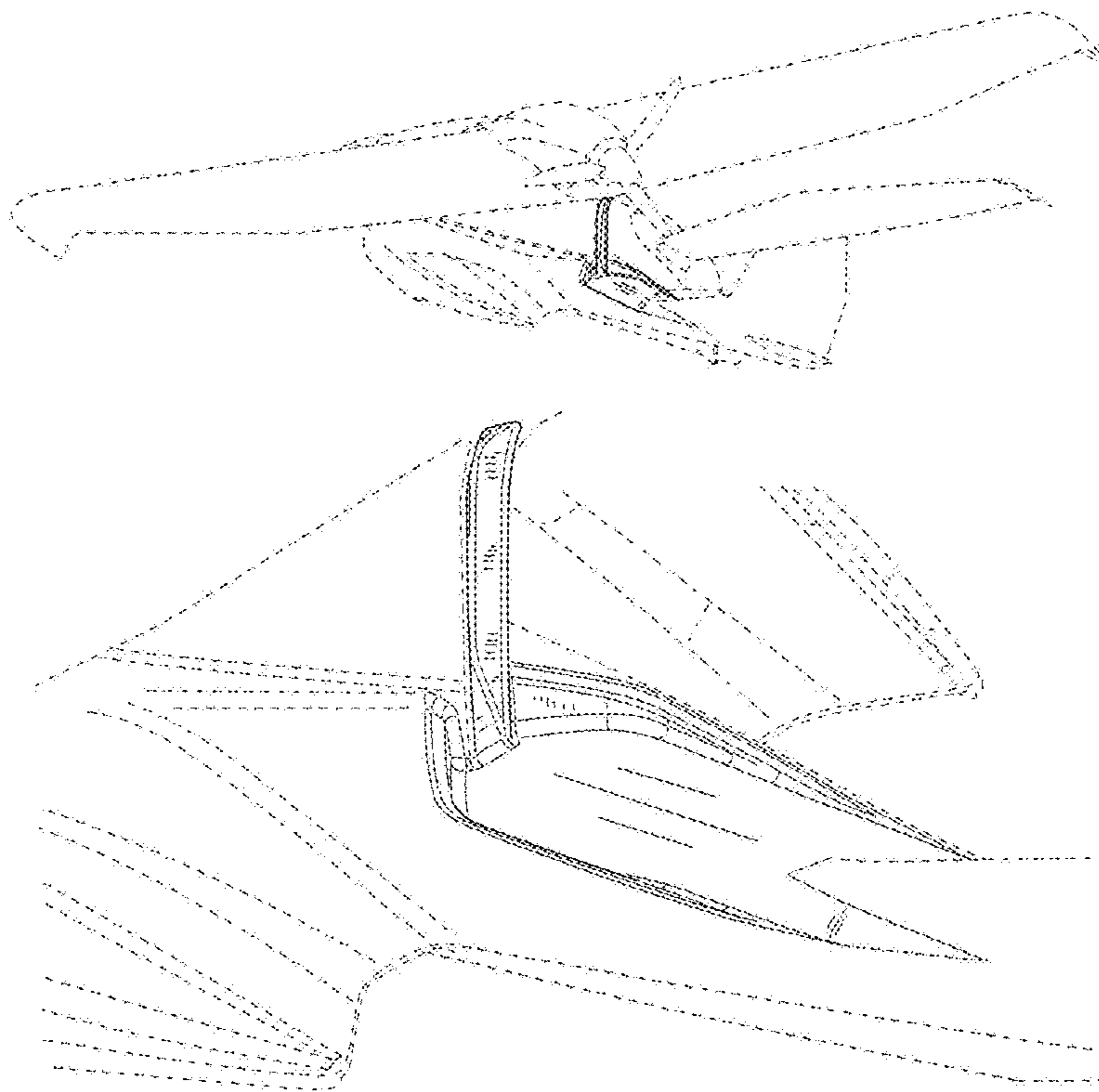
FIG. 3 is a top view thereof;

FIG. 4 is a right side view thereof; and,

FIG. 5 is a left side view thereof.

The portions of the drawing shown in a dash-dot-dash line connecting the ends of full lines define a boundary of claimed subject matter.

**1 Claim, 5 Drawing Sheets**



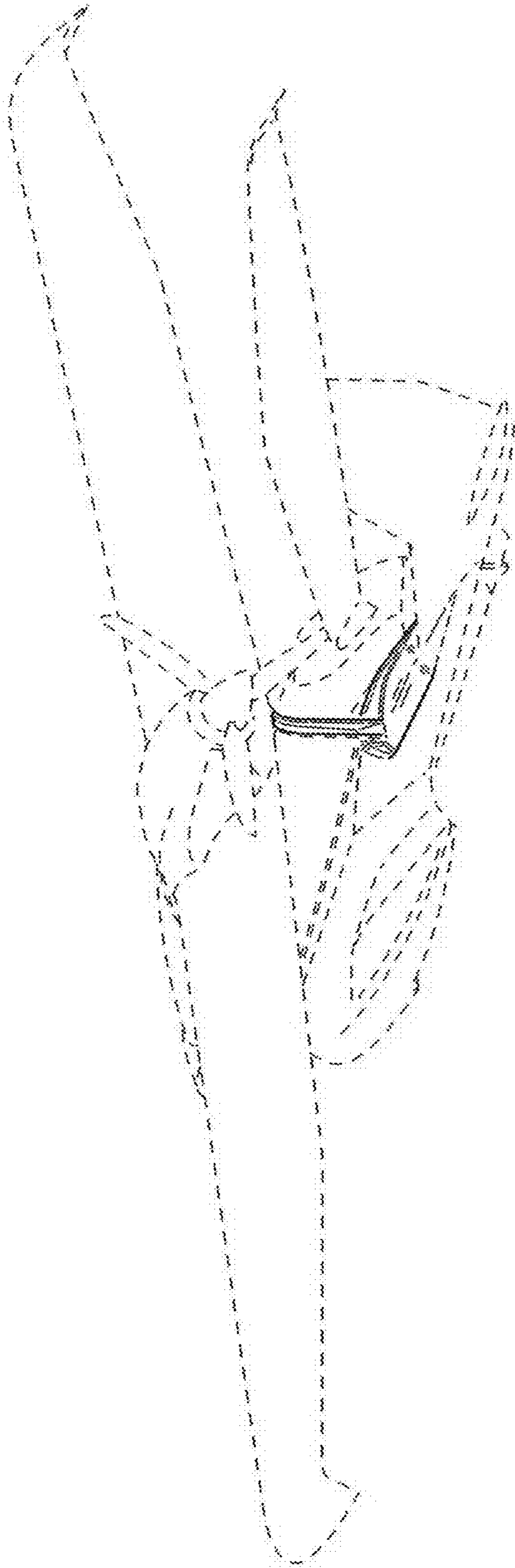


FIG.1

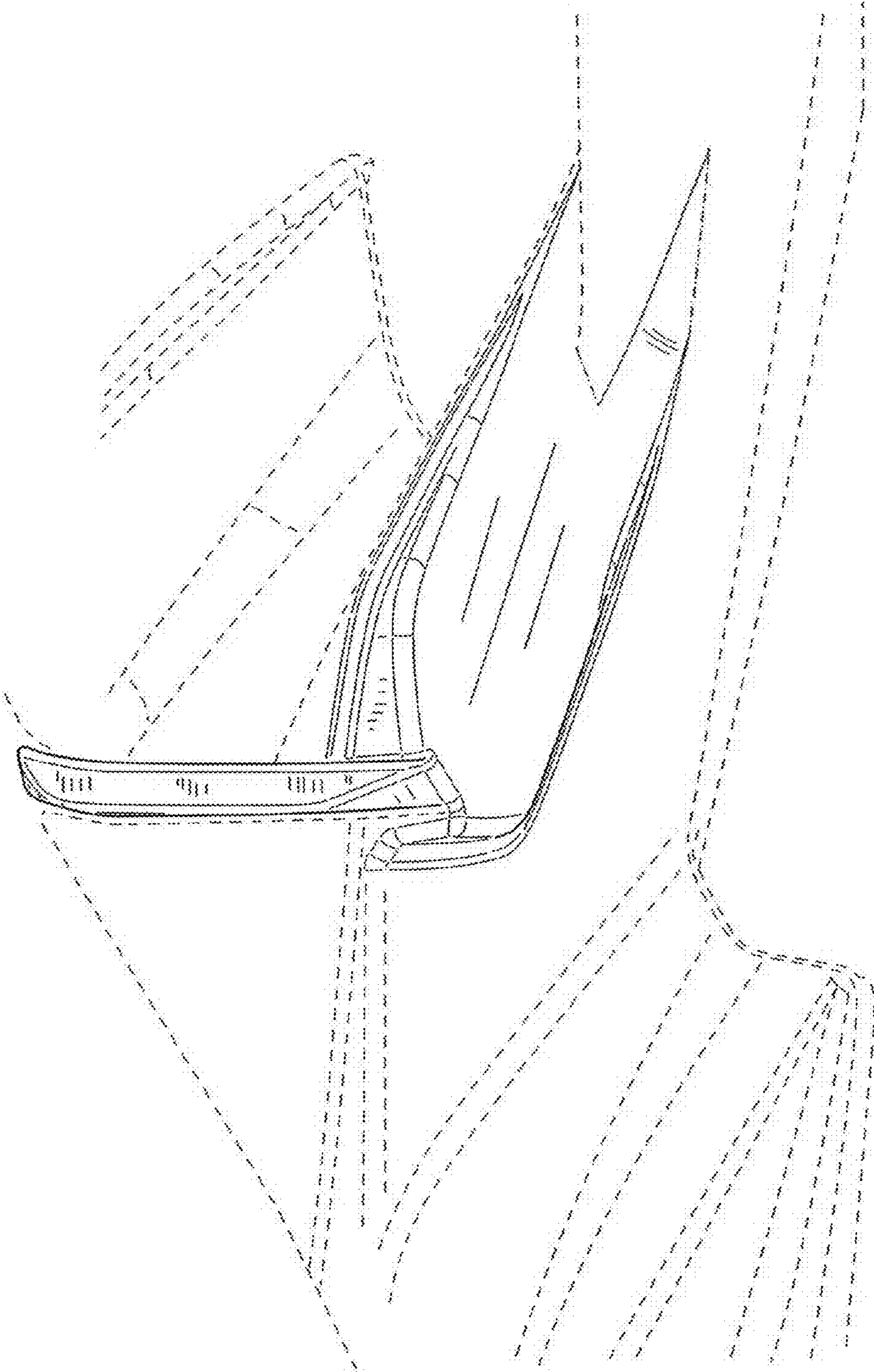


FIG.2

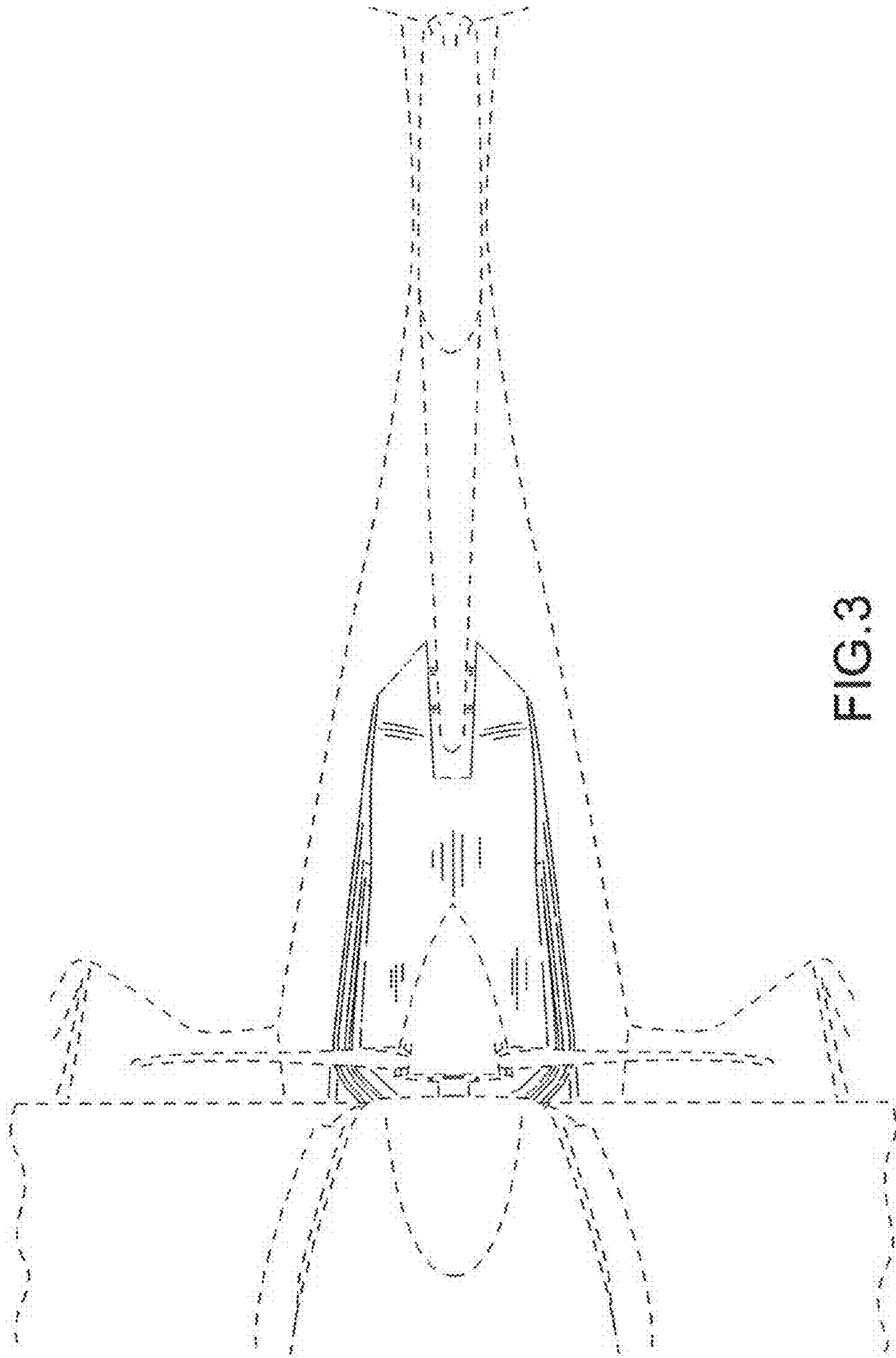


FIG. 3

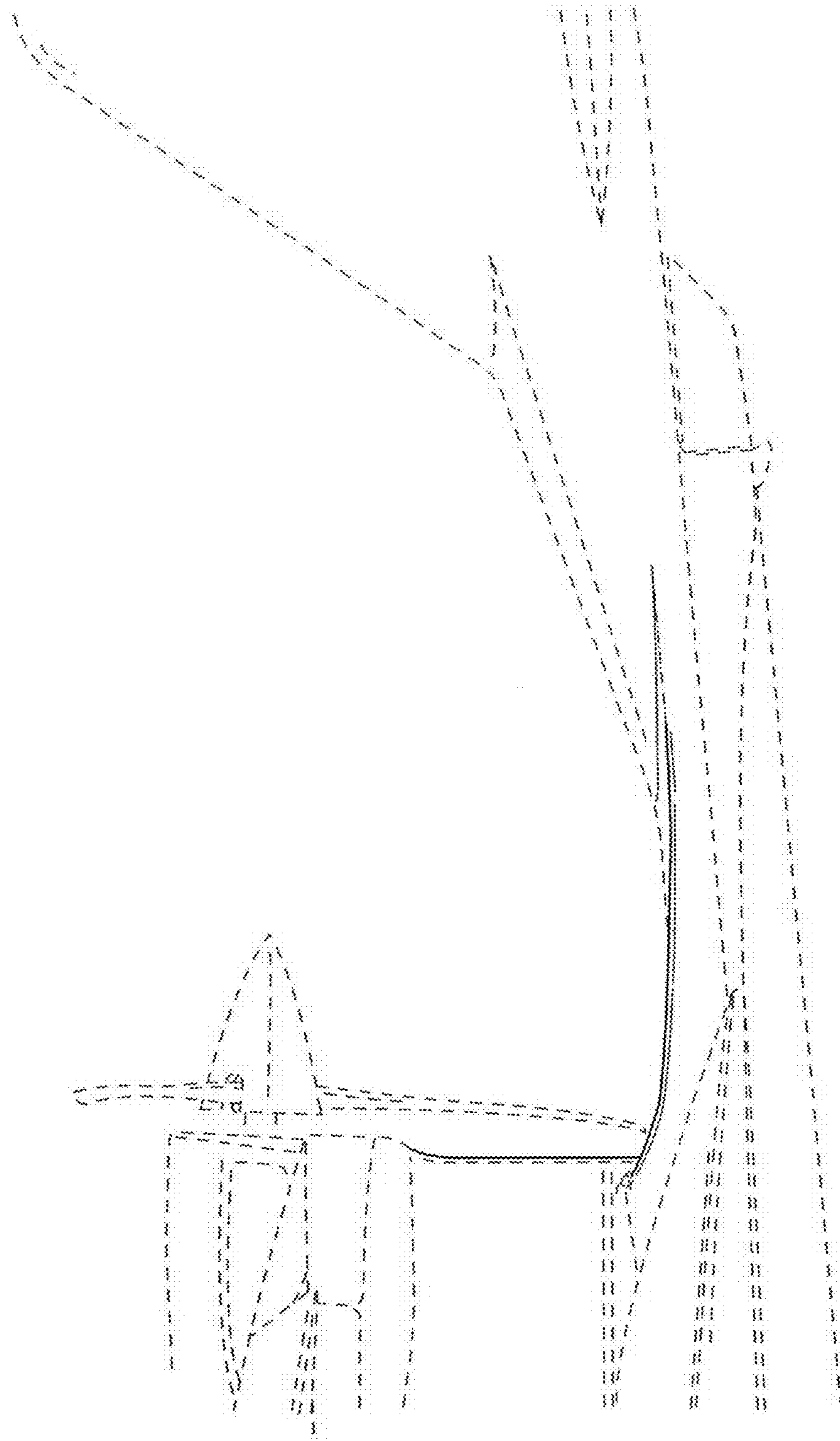


FIG.4

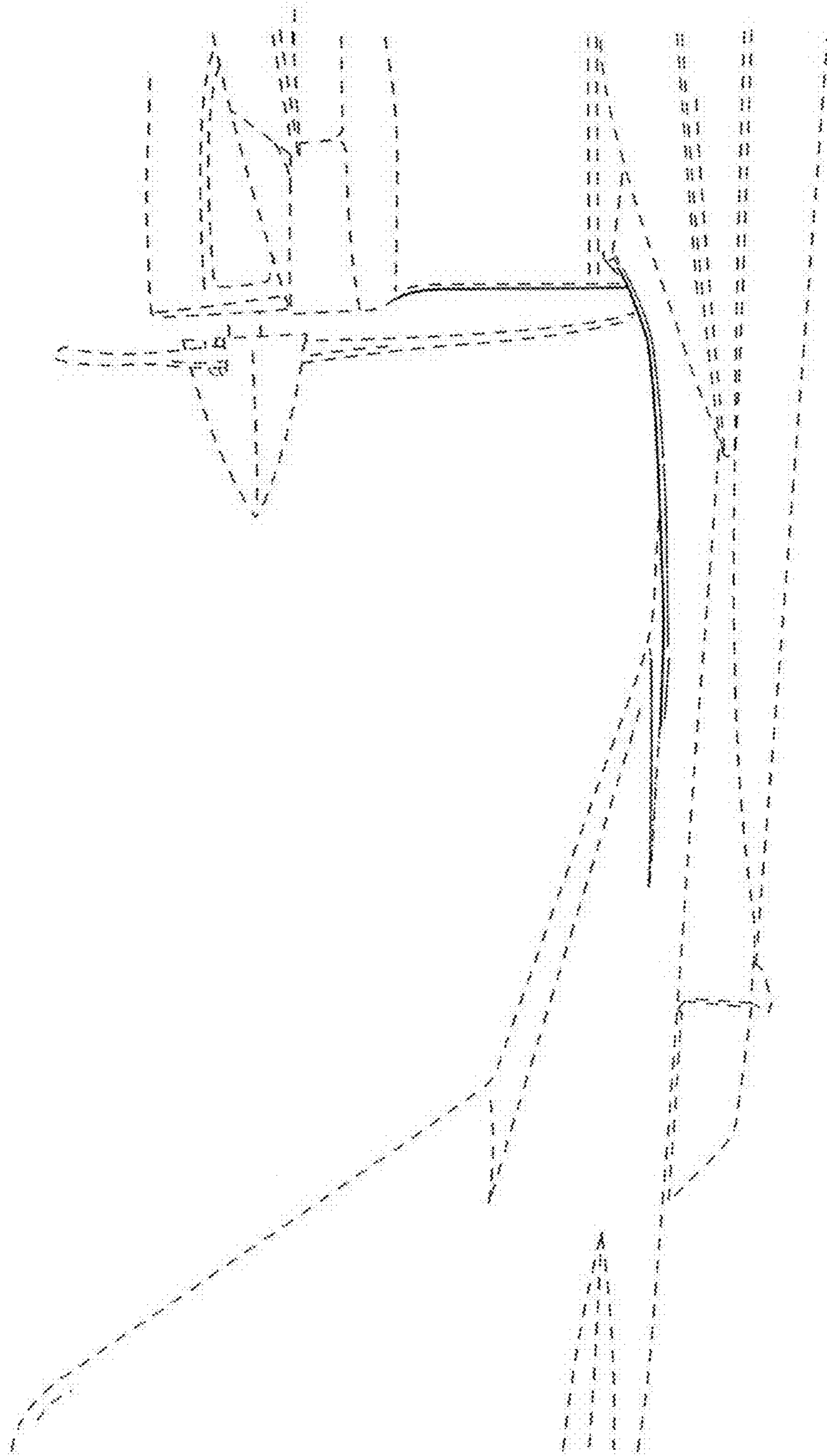


FIG. 5