



US00D769175S

(12) **United States Design Patent** (10) **Patent No.:** **US D769,175 S**  
**Aragon, Jr.** (45) **Date of Patent:** **\*\* Oct. 18, 2016**

(54) **MIRROR BRACKET, ARM, AND MOUNTING CLIP ASSEMBLY**

(71) Applicant: **Julian M. Aragon, Jr.**, Waianae, HI (US)

(72) Inventor: **Julian M. Aragon, Jr.**, Waianae, HI (US)

(\*\*) Term: **15 Years**

(21) Appl. No.: **29/545,784**

(22) Filed: **Nov. 16, 2015**

(51) **LOC (10) Cl.** ..... **12-06**

(52) **U.S. Cl.**  
USPC ..... **D12/223**; D8/382

(58) **Field of Classification Search**  
USPC ..... D8/16, 18, 71, 73, 349, 354, 363, 366, D8/371, 373, 374, 380, 381, 382, 394, D8/499; D12/20, 42, 44, 51, 106, 114, D12/400, 223  
CPC ..... B60R 1/08; B60R 1/081; B60R 1/082; B60R 1/06; B60R 7/08; B60R 2011/004; B60R 13/105; B60R 1/0605; B60R 1/006; B60R 1/002; B60R 2011/0066; B60R 2011/0071; B60R 2011/0078; B60R 1/007; B60R 1/086; B60R 1/04

See application file for complete search history.

(56) **References Cited**

U.S. PATENT DOCUMENTS

- 1,338,847 A \* 5/1920 Welcker ..... B67B 7/12 81/3.47
- 1,562,335 A \* 11/1925 Jones ..... B60R 1/006 359/855
- 1,938,105 A \* 12/1933 Johnson ..... B60R 1/006 359/855
- 2,605,676 A \* 8/1952 Couch ..... B60R 1/082 359/854
- 2,783,683 A \* 3/1957 Maurer ..... B60R 1/006 296/91
- 2,950,891 A \* 8/1960 Hage ..... B60R 13/105 248/231.61
- 3,187,628 A \* 6/1965 Canns ..... B60R 1/006

- 3,252,377 A \* 5/1966 Kentes ..... B60R 1/006 248/476 359/855
- D233,473 S \* 10/1974 Nadeau ..... D15/140
- D233,975 S \* 12/1974 Lee ..... D8/16
- D281,760 S \* 12/1985 Doring ..... D8/18
- 5,482,240 A \* 1/1996 Caraher ..... E04B 9/205 248/297.51
- 6,926,416 B2 \* 8/2005 Sawyer ..... B60R 1/081 248/467
- D509,468 S \* 9/2005 Viger ..... D12/223
- 7,422,337 B1 \* 9/2008 Fetherston ..... B60R 1/006 248/467
- D650,483 S \* 12/2011 Roggenkamp ..... D24/184
- D668,562 S \* 10/2012 Madrack ..... D10/65
- D710,273 S \* 8/2014 LeBlanc ..... D12/179
- D747,954 S \* 1/2016 Maeda ..... D8/354
- 2005/0141113 A1 \* 6/2005 Bogard ..... B60R 1/082 359/874
- 2008/0296332 A1 \* 12/2008 King ..... B60R 7/08 224/549
- 2009/0015950 A1 \* 1/2009 Martinson ..... B60R 1/006 359/843
- 2010/0177415 A1 \* 7/2010 Cortez Ruiz ..... B60R 1/081 359/851
- 2012/0188662 A1 \* 7/2012 Hamada ..... B60R 1/06 359/871
- 2012/0235001 A1 \* 9/2012 Somuah ..... B60R 11/0235 248/287.1
- 2014/0138418 A1 \* 5/2014 Dunn ..... B60R 11/02 224/483
- 2014/0223755 A1 \* 8/2014 Madrack ..... E04F 21/22 33/645
- 2015/0274081 A1 \* 10/2015 Fan ..... B60R 11/02 224/570

\* cited by examiner

*Primary Examiner* — Sandra Snapp

*Assistant Examiner* — Ieisha Price

(74) *Attorney, Agent, or Firm* — Keri Ann K. S. Krzykowski; Martin E. Hsia

(57) **CLAIM**

The ornamental design for a mirror bracket, arm, and mounting clip assembly, as shown and described.

**DESCRIPTION**

FIG. 1 is a perspective view thereof from the rear top right; FIG. 2 is an elevational view thereof from the front;

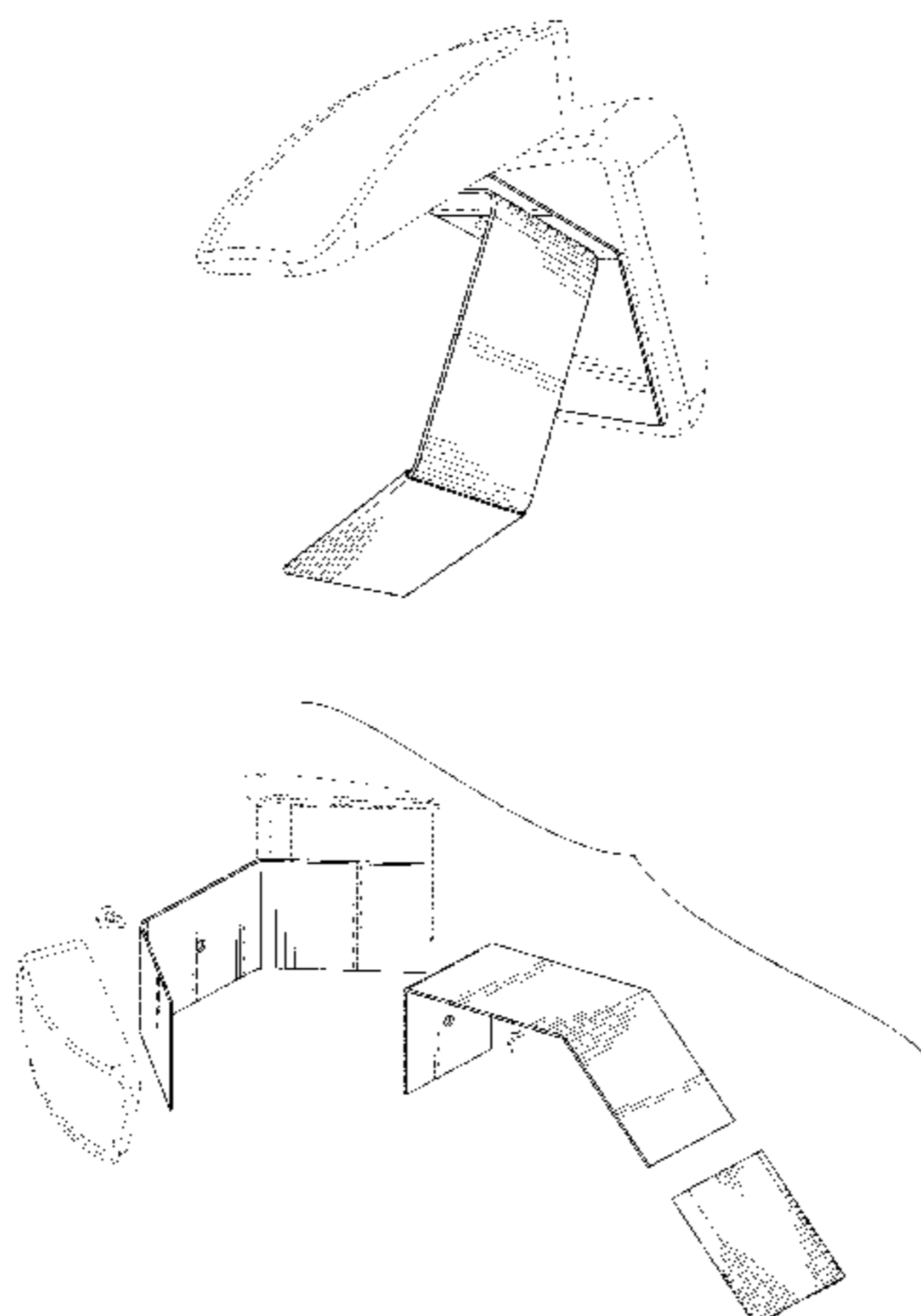


FIG. 3 is an elevational view thereof from the rear;  
FIG. 4 is an elevational view thereof from the left;  
FIG. 5 is an elevational view thereof from the right;  
FIG. 6 is a top plan view thereof;  
FIG. 7 is a bottom plan view thereof; and,  
FIG. 8 is an exploded perspective view thereof from the rear  
top right, shown for clarity of disclosure.

The broken lines shown throughout the drawing disclosure  
represent the environment of the mirror bracket, arm, and  
mounting clip assembly and forms no part thereof.

**1 Claim, 6 Drawing Sheets**

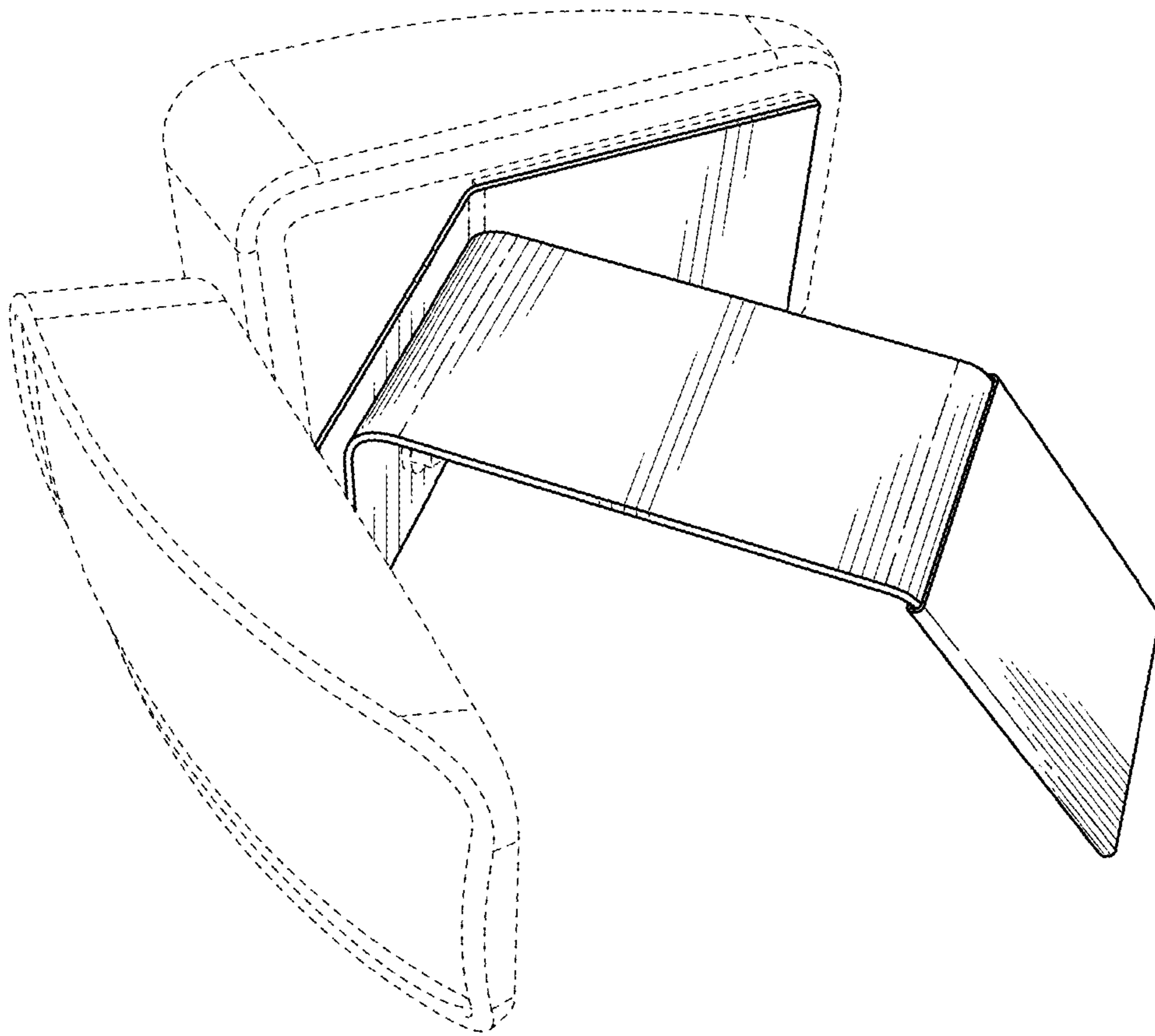


FIG. 1

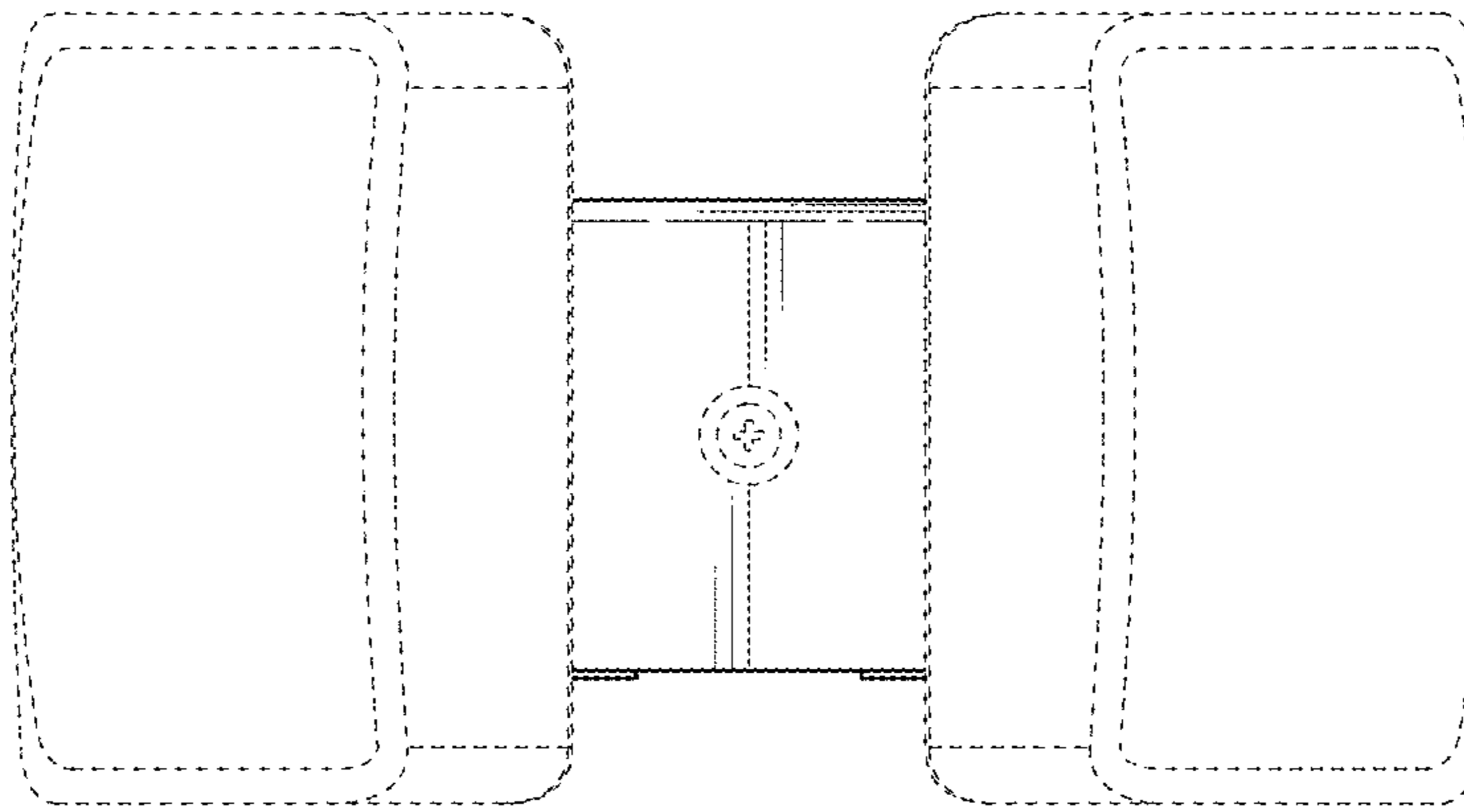


FIG. 2

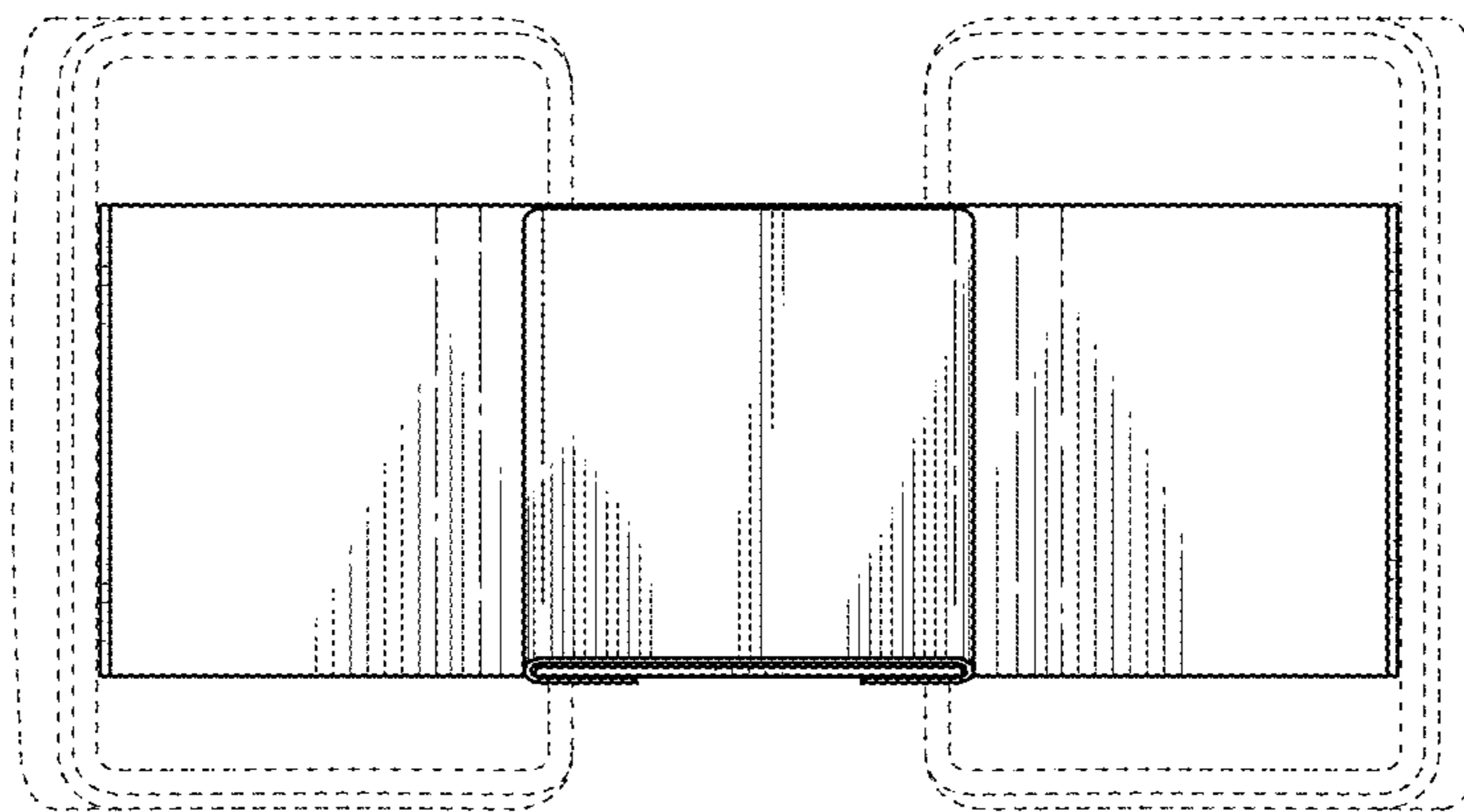


FIG. 3

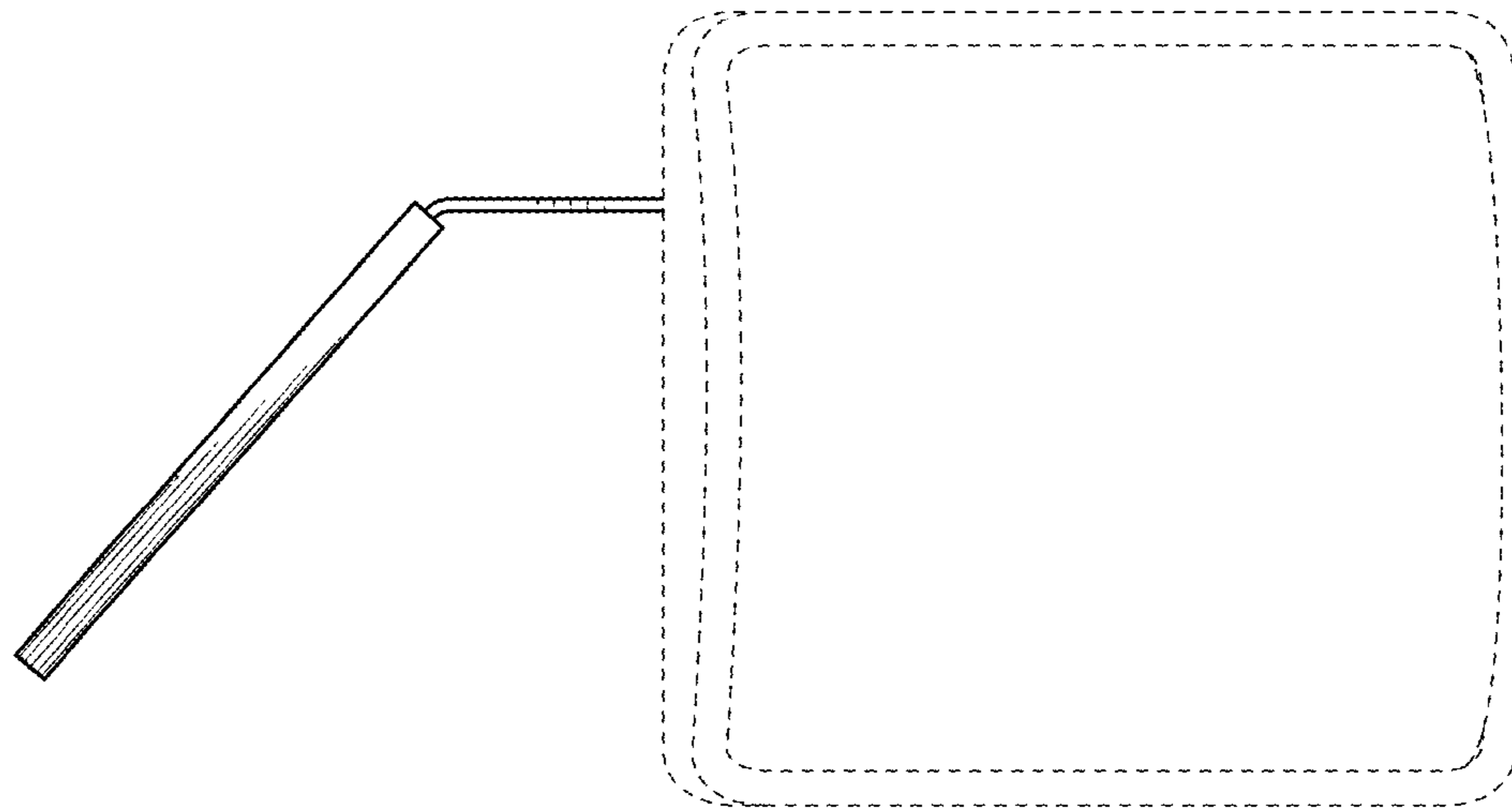


FIG. 4

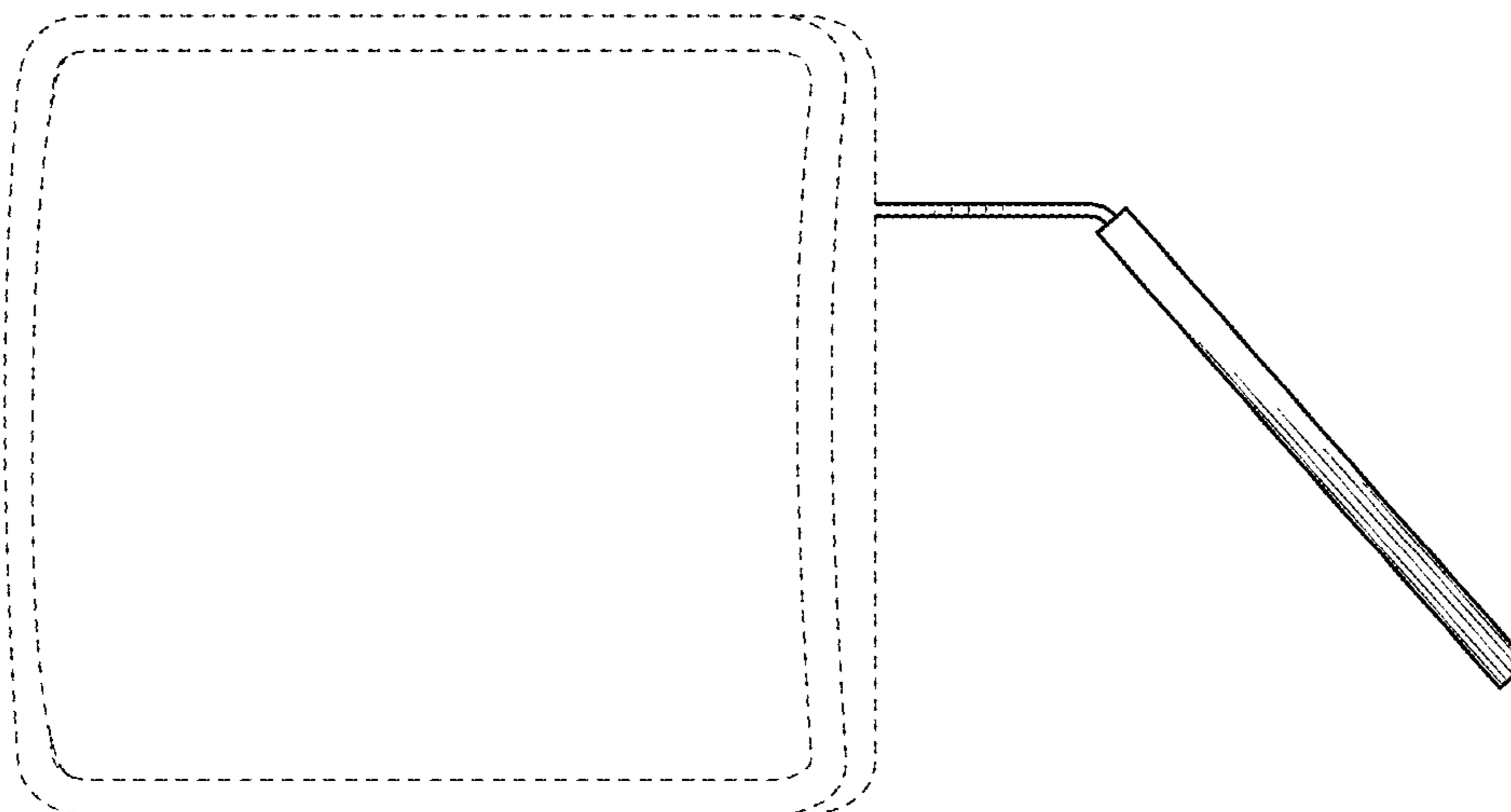


FIG. 5

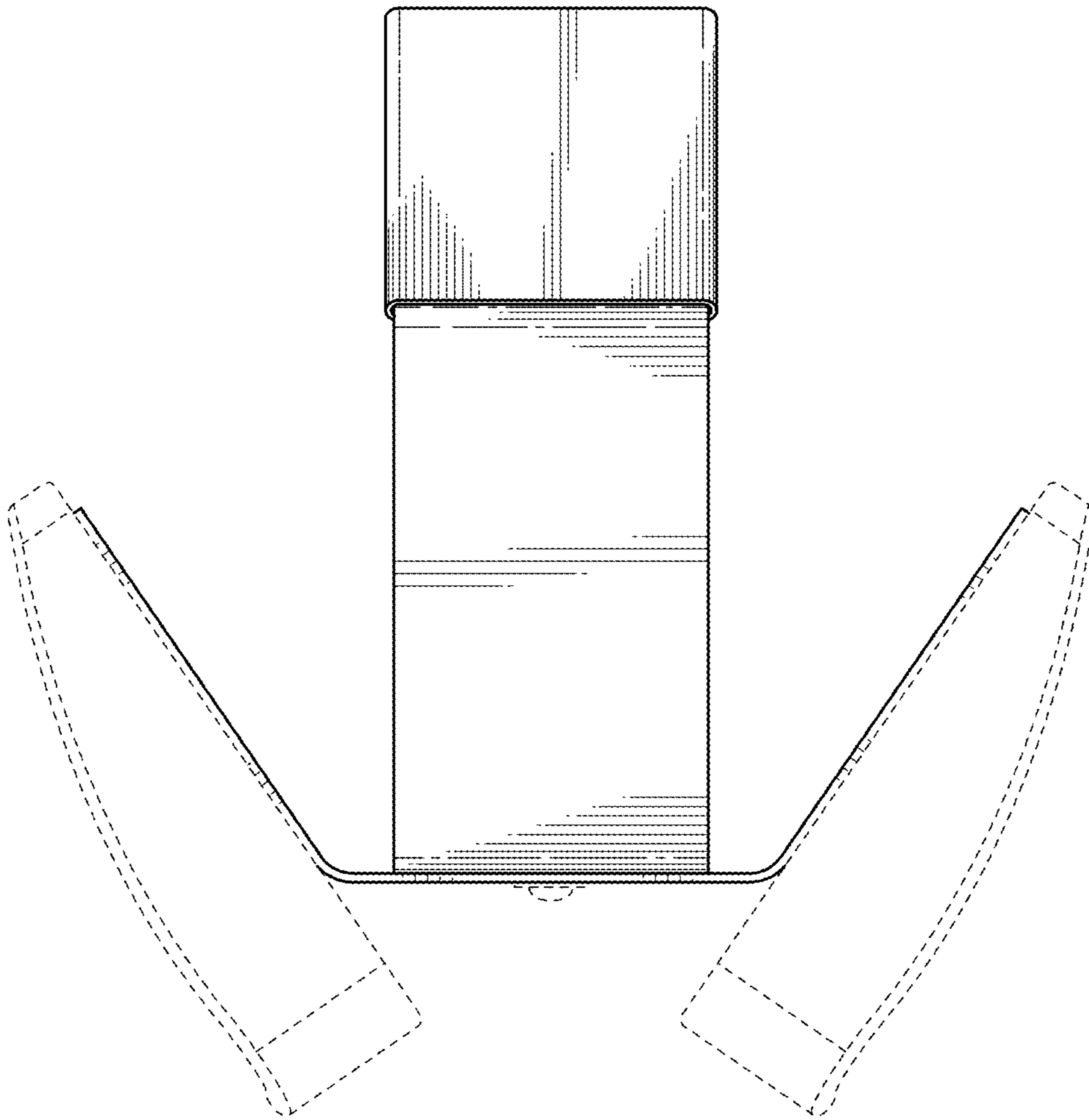


FIG. 6

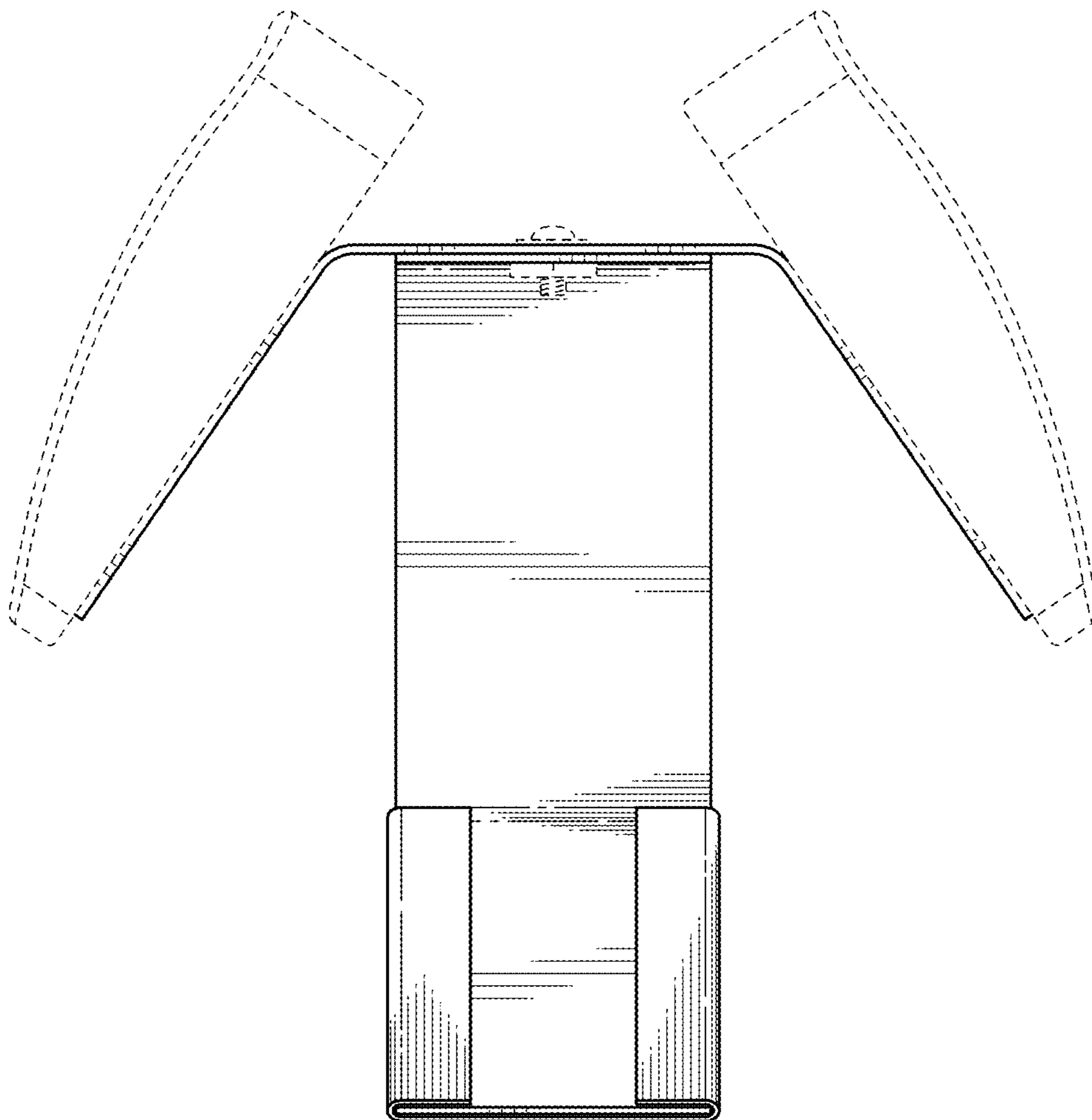


FIG. 7

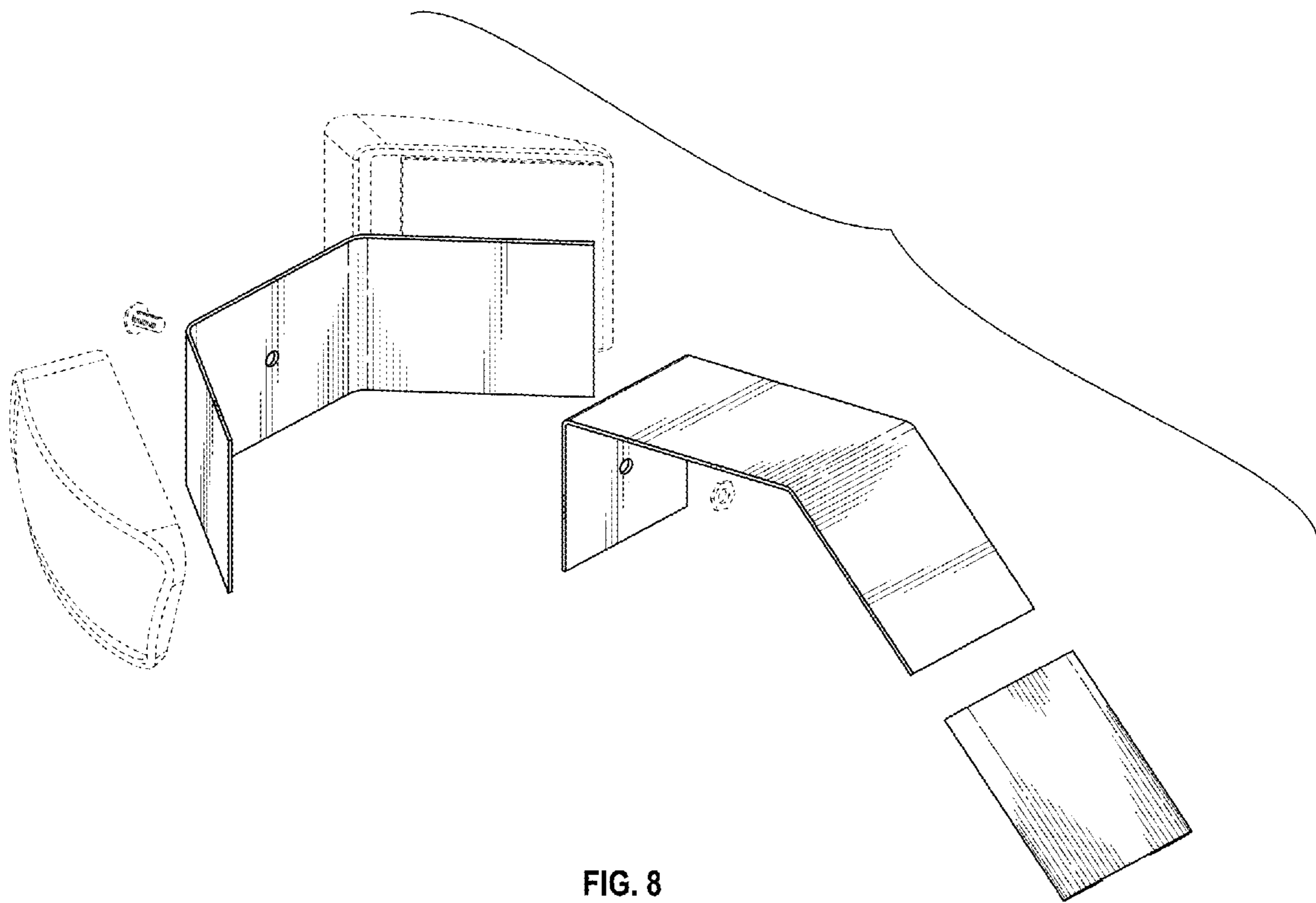


FIG. 8