



US00D769173S

(12) **United States Design Patent**  
**Chung**

(10) **Patent No.:** **US D769,173 S**

(45) **Date of Patent:** **\*\* Oct. 18, 2016**

(54) **AUTOMOTIVE WHEEL**

(71) Applicant: **Suny Chung**, Anaheim, CA (US)

(72) Inventor: **Suny Chung**, Anaheim, CA (US)

(\*\*) Term: **15 Years**

(21) Appl. No.: **29/542,065**

(22) Filed: **Oct. 9, 2015**

(51) **LOC (10) Cl.** ..... **12-16**

(52) **U.S. Cl.**  
USPC ..... **D12/211**

(58) **Field of Classification Search**  
USPC ..... D12/204, 205, 206, 207, 208, 209, 210,  
D12/211, 212, 213  
CPC ..... B60B 7/00; B60B 7/01; B60B 7/02;  
B60B 7/04; B60B 7/06; B60B 3/02; B60B  
3/04; B60B 3/06; B60B 3/10; B60B 1/00;  
B60B 1/08; B60B 1/10; B60B 1/12  
See application file for complete search history.

(56) **References Cited**

**U.S. PATENT DOCUMENTS**

D458,208 S *	6/2002	Hartl .....	D12/211
D480,037 S *	9/2003	Takechi .....	D12/211
D495,985 S *	9/2004	Lai .....	D12/209
D497,869 S *	11/2004	Guevara .....	D12/211
D505,651 S *	5/2005	Arellano .....	D12/211
D515,996 S *	2/2006	Baumgartner .....	D12/209
D596,100 S *	7/2009	Aronney .....	D12/211
D627,701 S *	11/2010	Hilpert .....	D12/211
D641,302 S *	7/2011	Ettensberger .....	D12/211
D682,765 S *	5/2013	Alfonso .....	D12/211
D682,766 S *	5/2013	Zhao .....	D12/211
D690,643 S *	10/2013	Kern .....	D12/211
D703,124 S *	4/2014	Gallert .....	D12/209

D703,602 S *	4/2014	Kern .....	D12/211
D712,329 S *	9/2014	Borkert .....	D12/209
D730,261 S *	5/2015	Johnson .....	D12/211
D731,944 S *	6/2015	Kern .....	D12/211
D736,136 S *	8/2015	Hale, Jr. ....	D12/213
D741,776 S *	10/2015	Zhao .....	D12/211
D749,030 S *	2/2016	Zhao .....	D12/211
D753,041 S *	4/2016	Kim .....	D12/209
D755,103 S *	5/2016	Hans .....	D12/211
D755,106 S *	5/2016	Tanaka .....	D12/213
D758,277 S *	6/2016	Alfonso .....	D12/211
D758,278 S *	6/2016	Behmer .....	D12/211
D764,366 S *	8/2016	Zhao .....	D12/208

**OTHER PUBLICATIONS**

<http://www.thewheelconnection.com/wheels/Speedy/Bullett/Machined?brandsearch=1>—Retrieved Aug. 29, 2016.\*  
<http://www.ityre.com/en/disks/catalog/oxigin/4937/>—Retrieved Aug. 29, 2016.\*

\* cited by examiner

*Primary Examiner* — Manpreet Matharu  
*Assistant Examiner* — Mojtaba Tehrani

(57) **CLAIM**

The ornamental design for an automotive wheel, as shown and described.

**DESCRIPTION**

FIG. 1 is a perspective view of an automotive wheel, showing my new design; and, FIG. 2 is a front view thereof. The broken line showing of the rear portion of the wheel is included for the purpose of illustrating environment and forms no part of the claimed design.

**1 Claim, 2 Drawing Sheets**

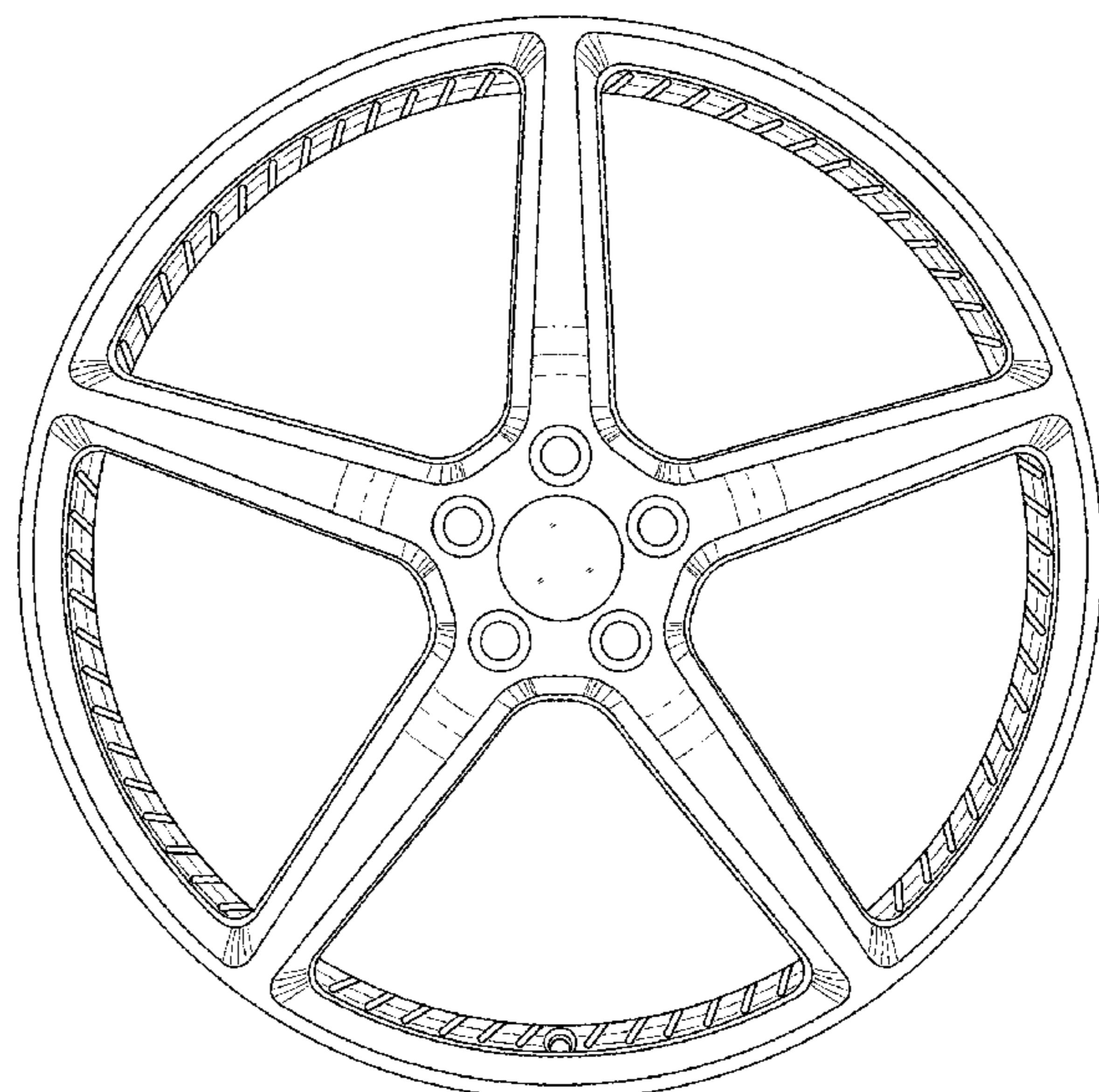
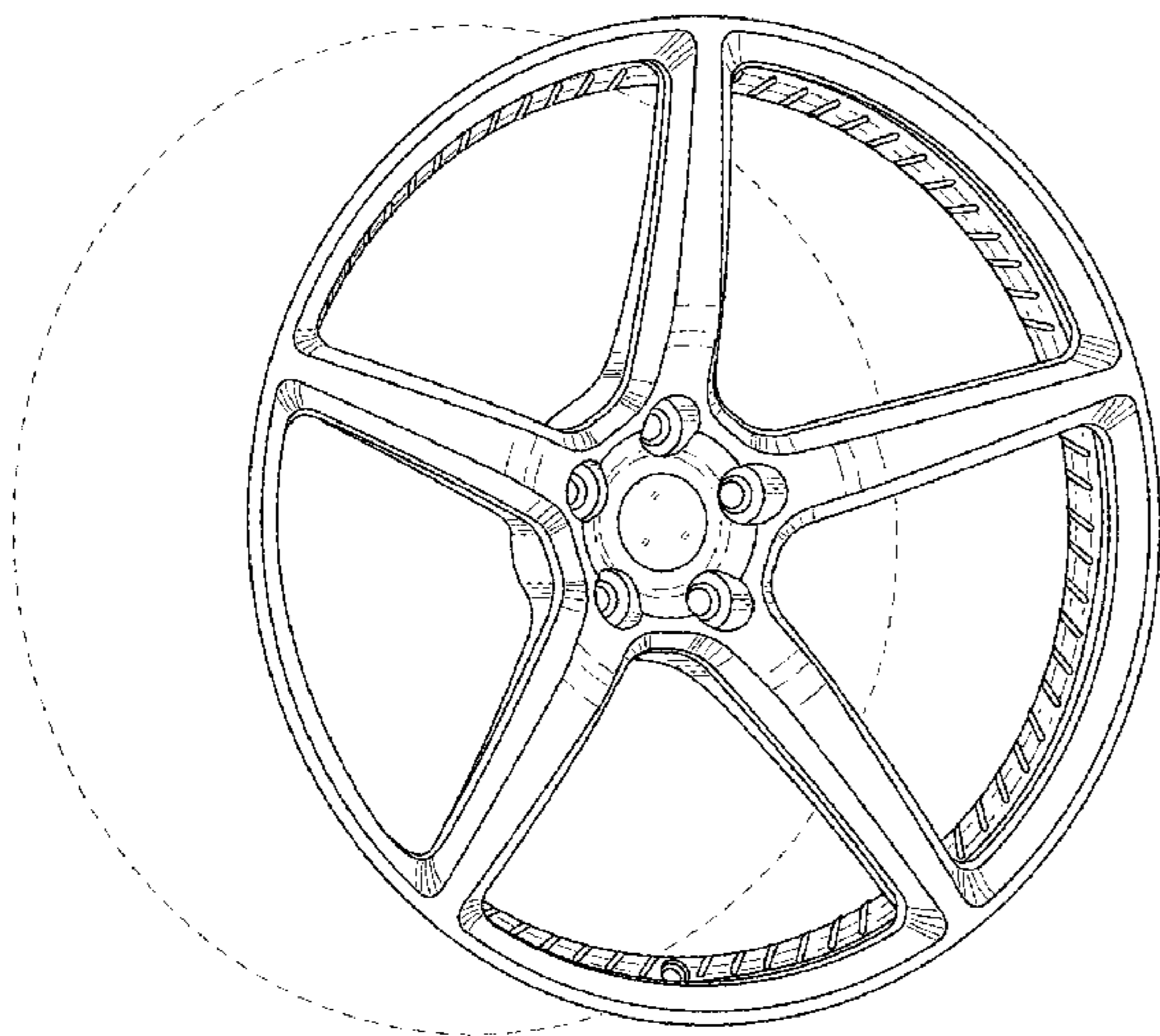


FIGURE 1

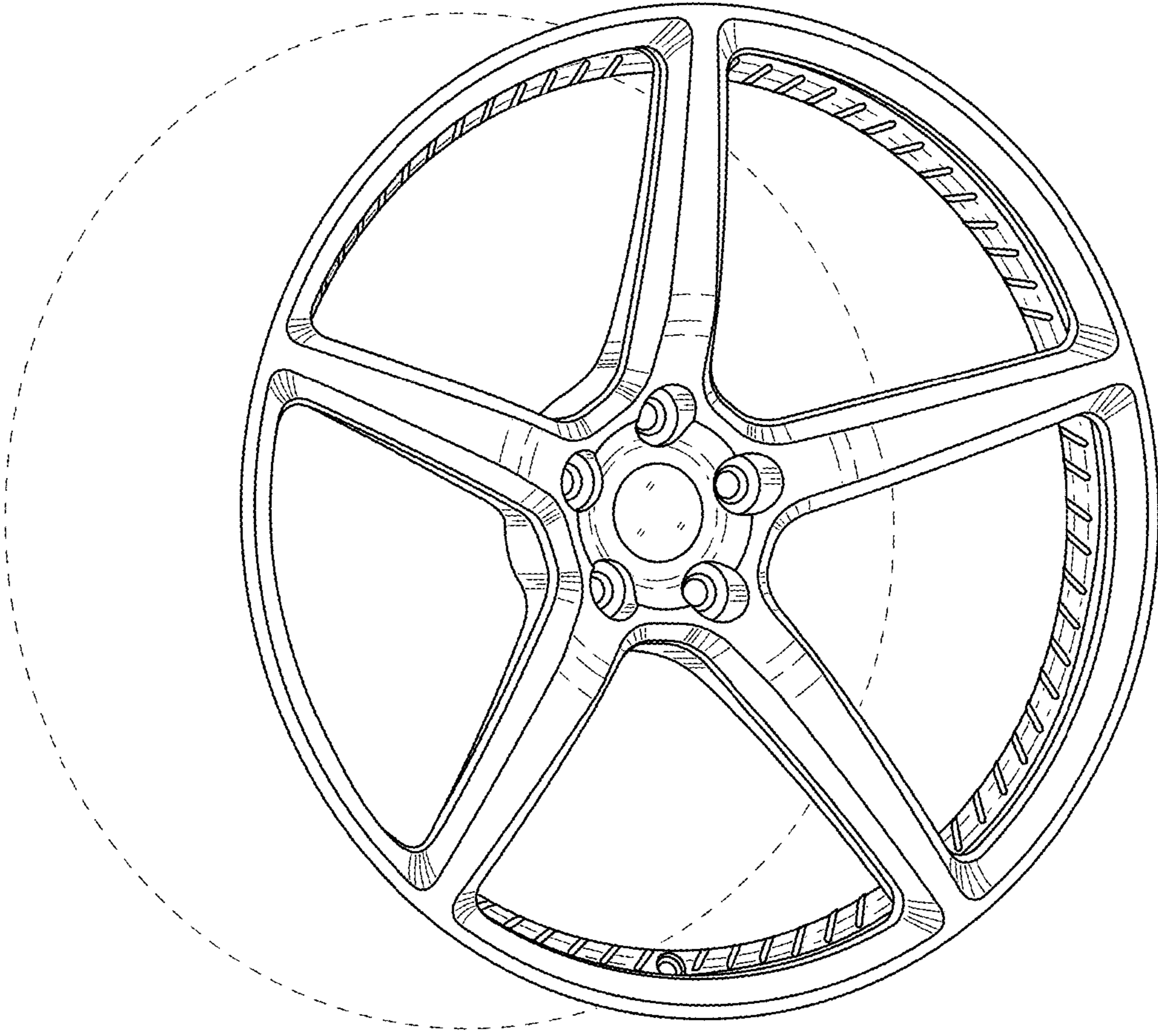




FIGURE 2

