

US00D769163S

(12) **United States Design Patent** (10) **Patent No.:** **US D769,163 S**
Platto et al. (45) **Date of Patent:** **** Oct. 18, 2016**

- (54) **VEHICLE FRONT LOWER SKID PLATE**
- (71) Applicant: **Ford Motor Company**, Dearborn, MI (US)
- (72) Inventors: **Gordon M Platto**, Troy, MI (US); **Bradley A Richards**, Beverly Hills, MI (US); **Dong H Park**, Royal Oak, MI (US); **William K Moore**, West Bloomfield, MI (US)
- (73) Assignee: **Ford Motor Company**, Dearborn, MI (US)
- (**) Term: **14 Years**
- (21) Appl. No.: **29/513,836**
- (22) Filed: **Jan. 6, 2015**
- (51) **LOC (10) Cl.** **12-16**
- (52) **U.S. Cl.**
USPC **D12/196**
- (58) **Field of Classification Search**
USPC D12/86, 90-92, 190, 196, 107;
296/181.1, 181.5, 57.1, 180.1, 180.2;
293/102, 103
CPC B60J 5/0412; B60J 5/04
See application file for complete search history.

- (56) **References Cited**
- U.S. PATENT DOCUMENTS
- | | | | | |
|--------------|---------|---------|-------|---------|
| D474,726 S * | 5/2003 | Weber | | D12/196 |
| D476,934 S * | 7/2003 | Murkett | | D12/196 |
| D599,265 S * | 9/2009 | Gueler | | D12/196 |
| D616,797 S * | 6/2010 | Lamm | | D12/196 |
| D639,219 S * | 6/2011 | Fisker | | D12/196 |
| D690,639 S * | 10/2013 | Messale | | D12/196 |

* cited by examiner

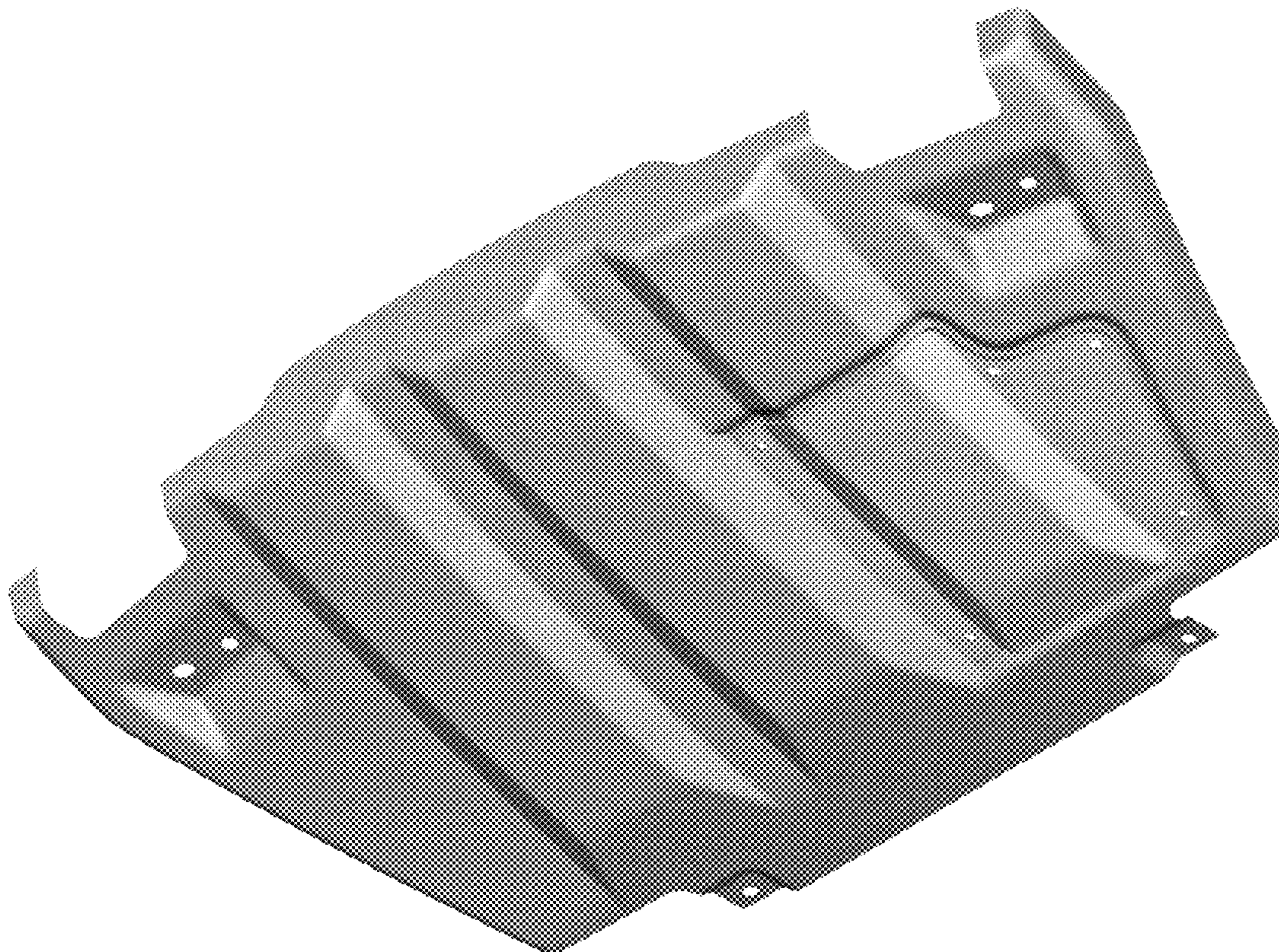
Primary Examiner — Melody N Brown
 (74) *Attorney, Agent, or Firm* — Damian Porcari

(57) **CLAIM**
 The ornamental design for a vehicle front lower skid plate, as shown and described.

DESCRIPTION

FIG. 1 is a bottom left perspective view of a vehicle front lower skid plate;
 FIG. 2 is a bottom right perspective view thereof;
 FIG. 3 is a top rear perspective view thereof;
 FIG. 4 is a front elevational view thereof;
 FIG. 5 is a rear elevational view thereof;
 FIG. 6 is a left side elevational view thereof;
 FIG. 7 is a right side elevational view thereof;
 FIG. 8 is a top plan view thereof; and,
 FIG. 9 is a bottom plan view thereof.

1 Claim, 9 Drawing Sheets



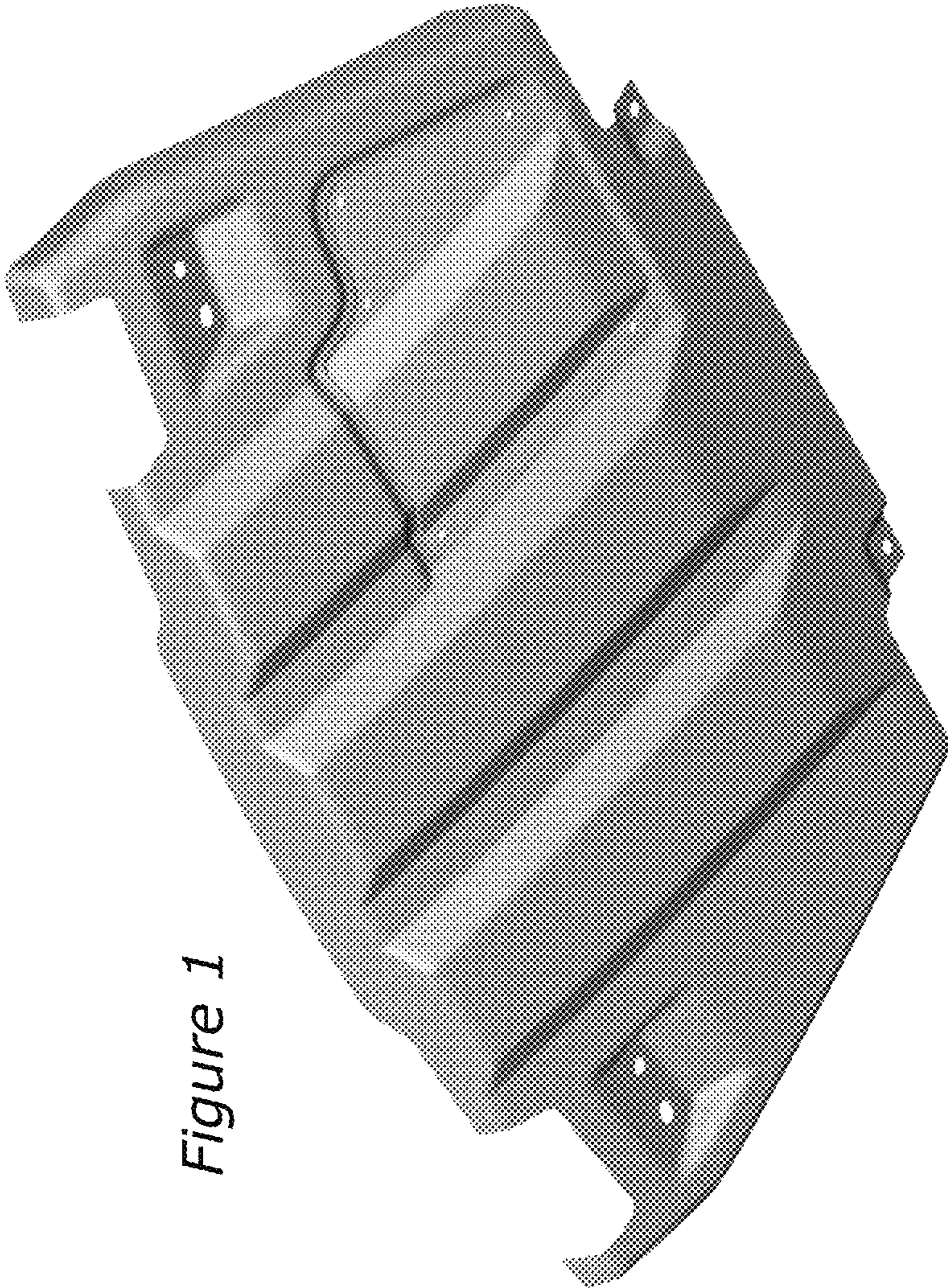
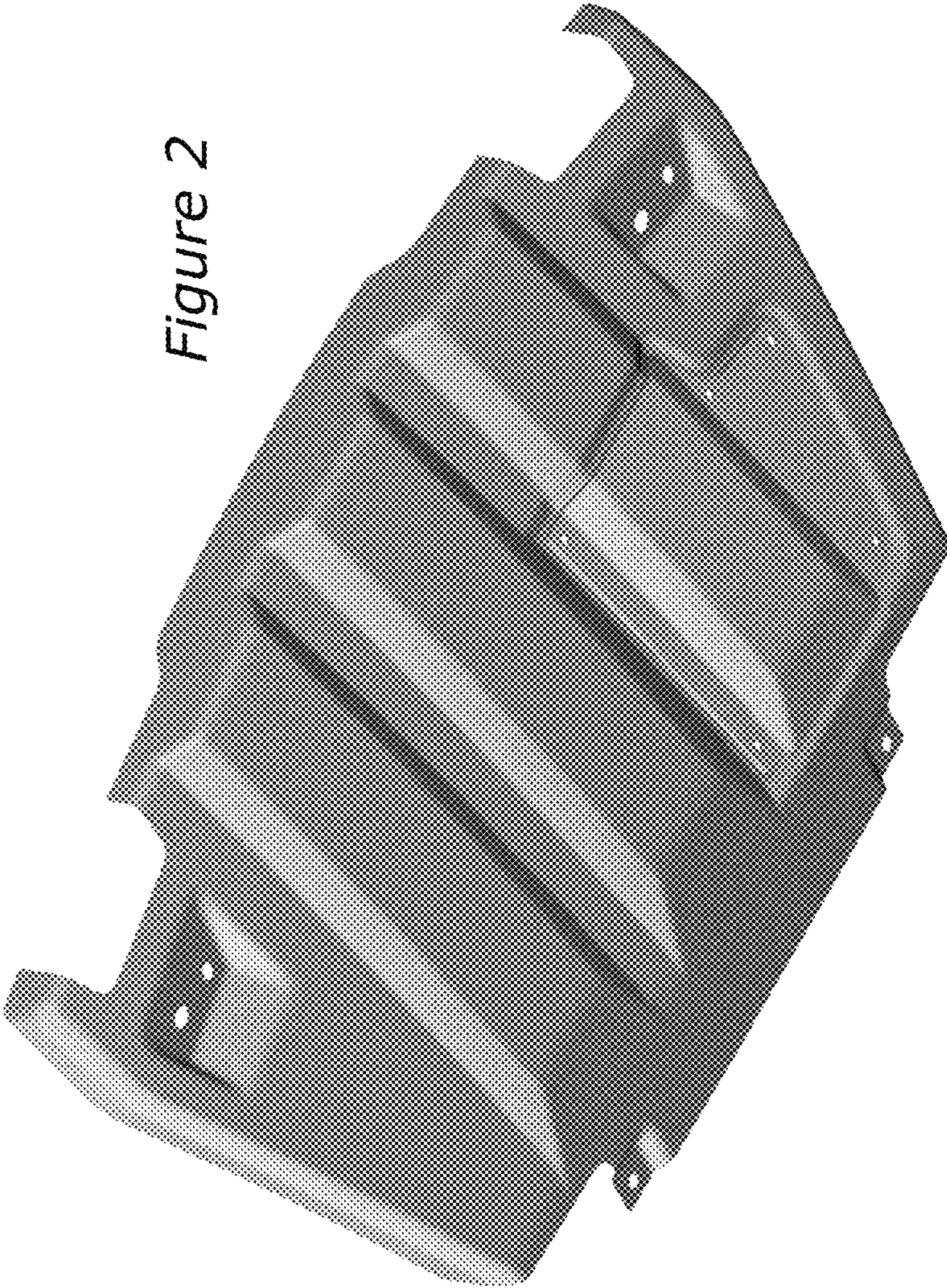


Figure 1

Figure 2



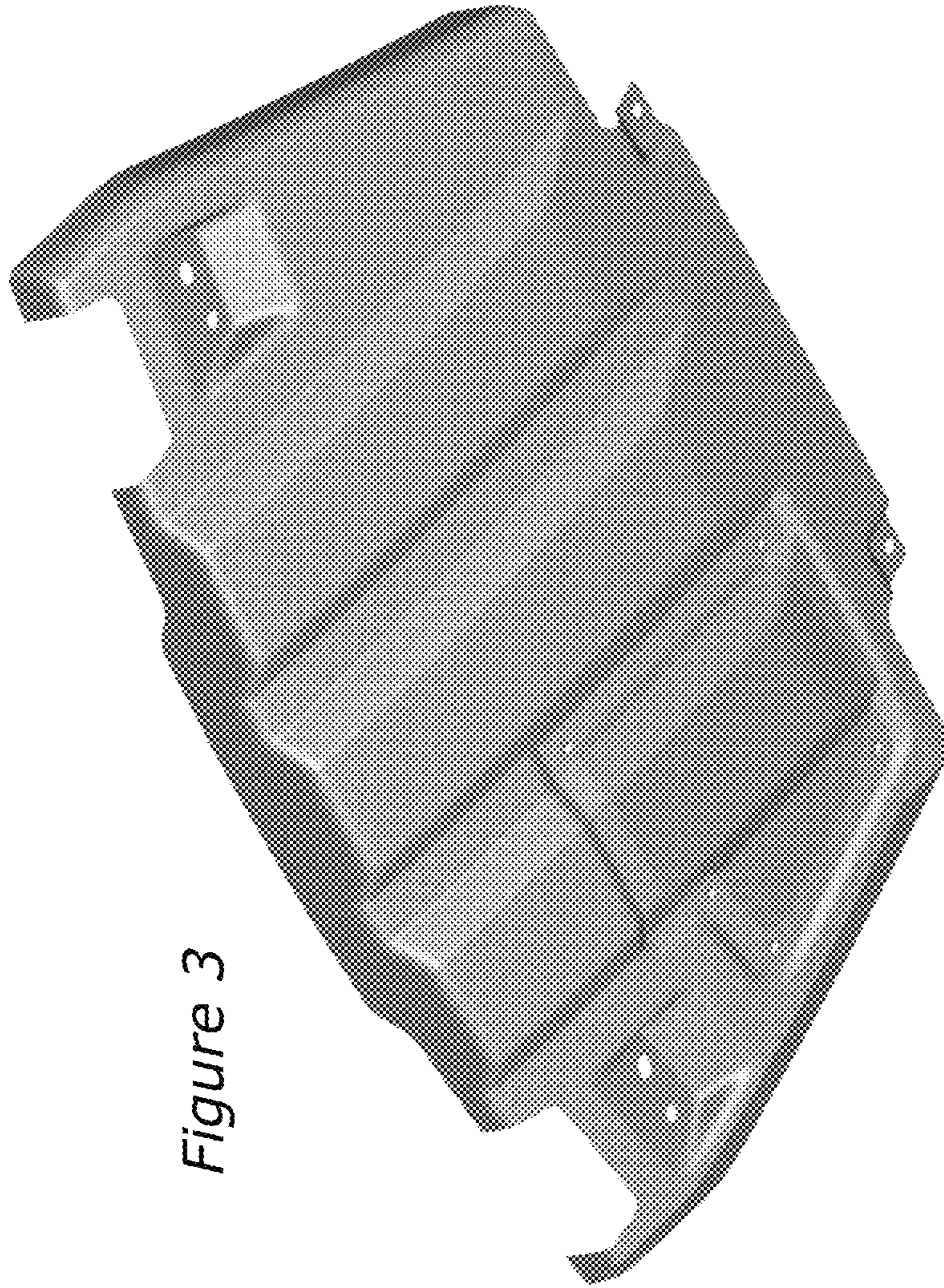


Figure 3

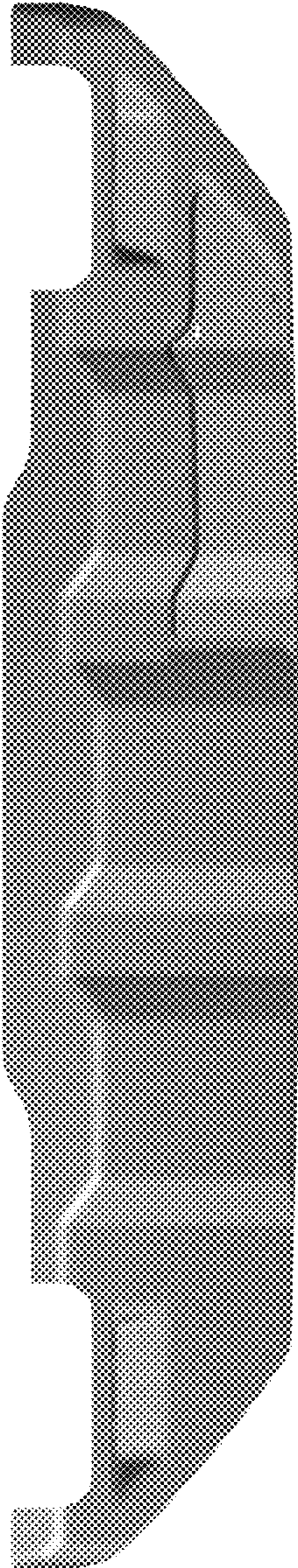


Figure 4

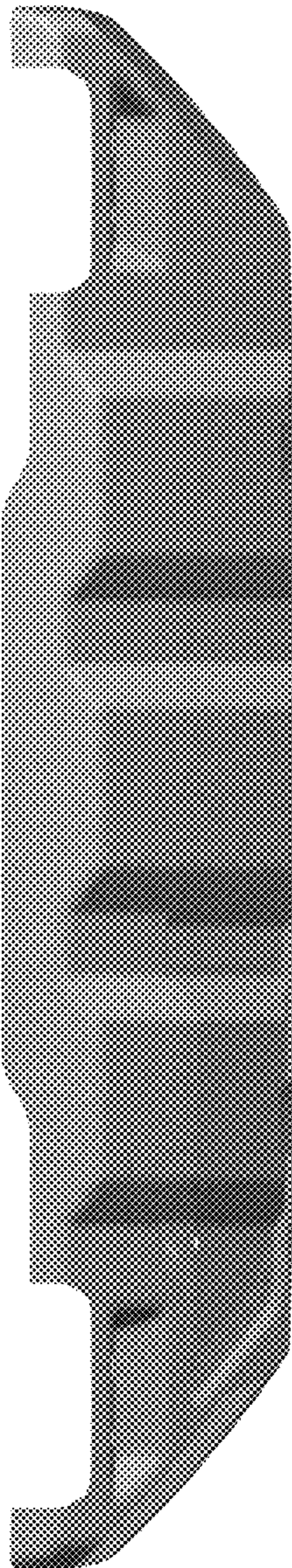


Figure 5

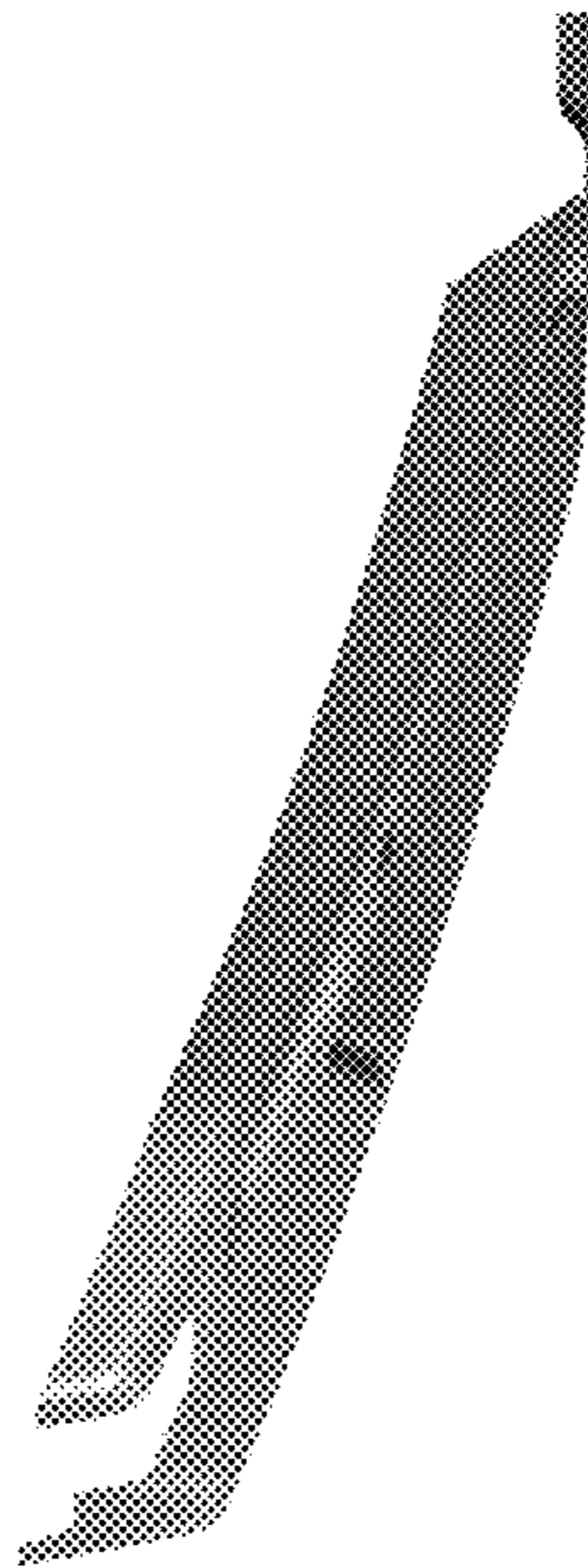


Figure 6

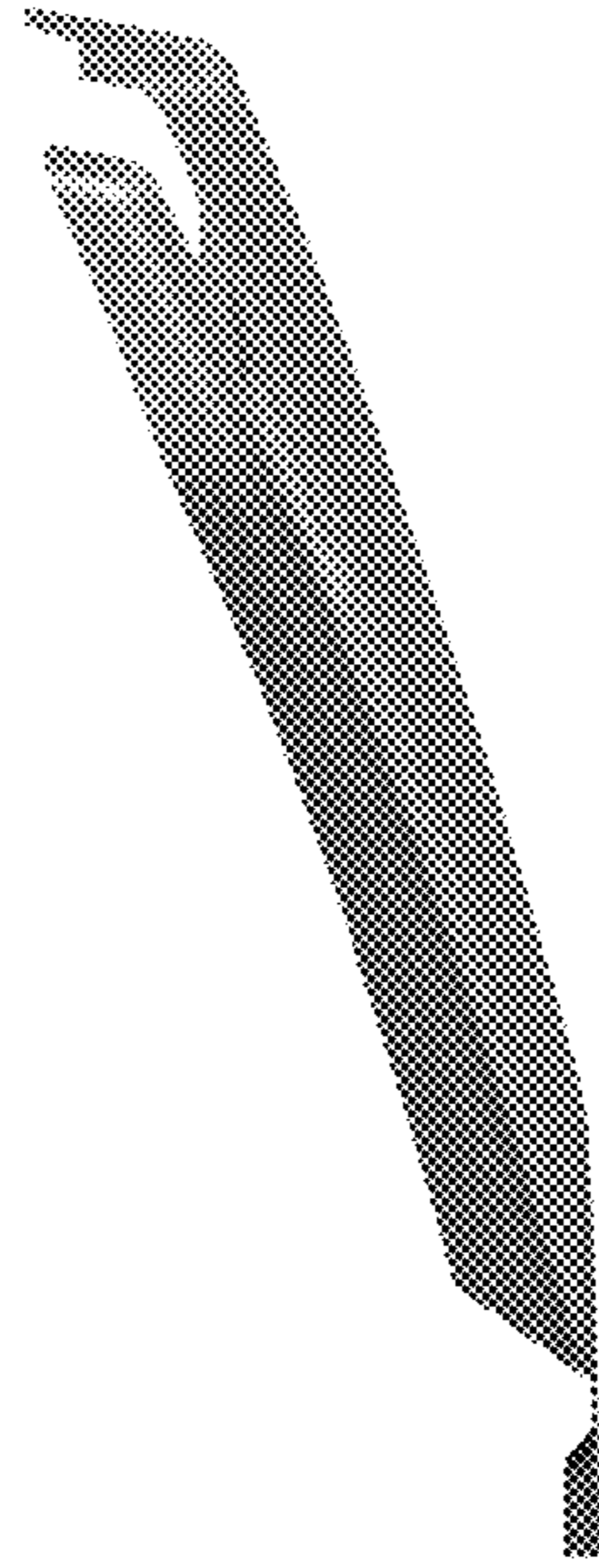


Figure 7

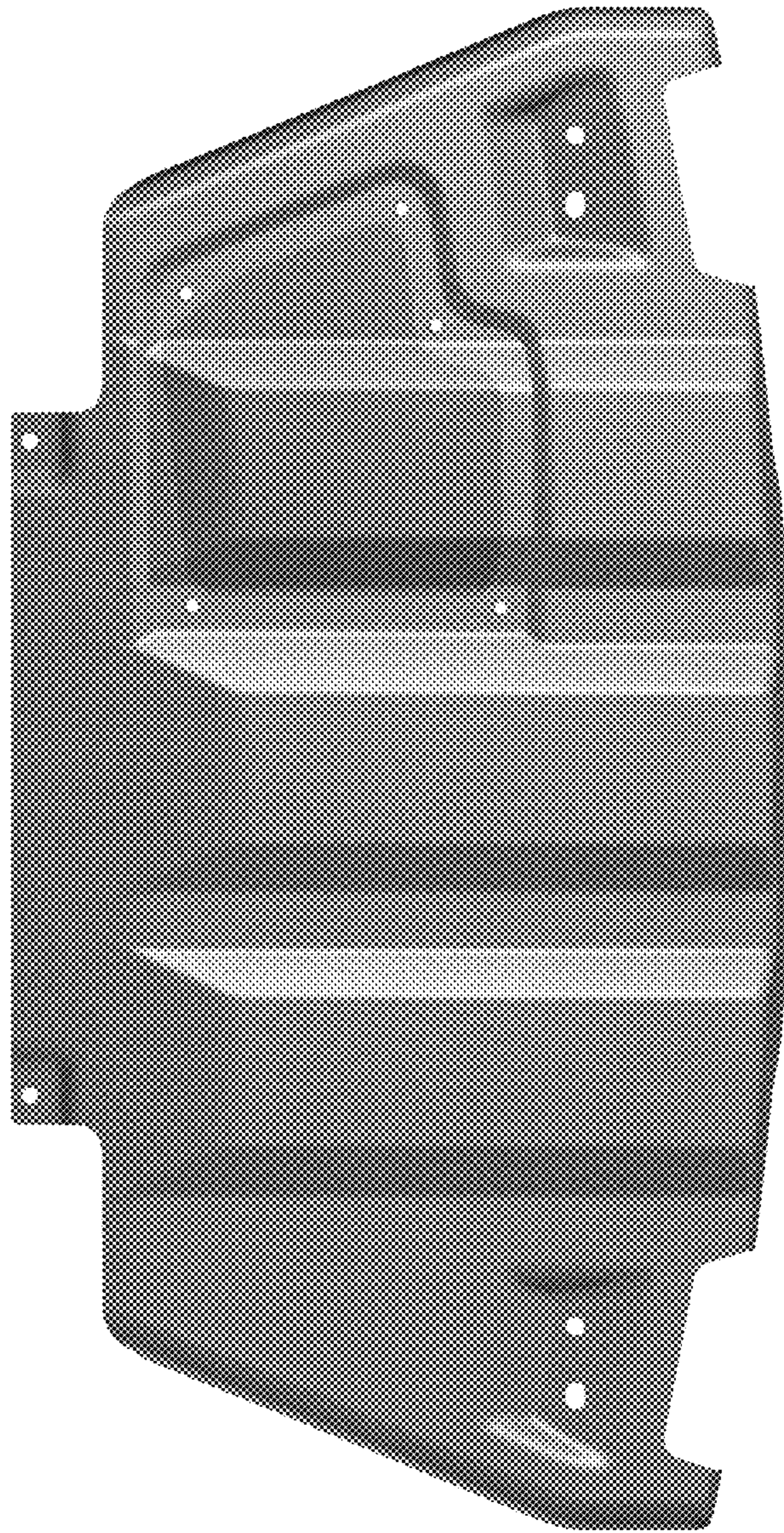


Figure 8

Figure 9

