

US00D769159S

(12) **United States Design Patent** (10) **Patent No.:** **US D769,159 S**  
**Platto et al.** (45) **Date of Patent:** **\*\* Oct. 18, 2016**

(54) **VEHICLE FRONT LOWER GRILLE**

(71) Applicant: **Ford Motor Company**, Dearborn, MI (US)

(72) Inventors: **Gordon M Platto**, Troy, MI (US); **Bradley A Richards**, Beverly Hills, MI (US); **Dong H Park**, Royal Oak, MI (US); **William K Moore**, West Bloomfield, MI (US)

(73) Assignee: **Ford Motor Company**, Dearborn, MI (US)

(\*\*) Term: **14 Years**

(21) Appl. No.: **29/513,856**

(22) Filed: **Jan. 6, 2015**

(51) **LOC (10) Cl.** ..... **12-16**

(52) **U.S. Cl.**  
USPC ..... **D12/163**

(58) **Field of Classification Search**  
USPC ..... D12/163, 196, 86, 90-92, 171, 169, D12/216; 180/68.1, 68.6; 293/193.11  
CPC ..... B62D 25/08; B62B 9/16; B60K 11/08; B60R 19/52  
See application file for complete search history.

(56) **References Cited**

**U.S. PATENT DOCUMENTS**

D626,897 S \* 11/2010 Ectors ..... D12/163  
D680,033 S \* 4/2013 Behmer ..... D12/163

D712,318 S \* 9/2014 Mays ..... D12/163  
D712,321 S \* 9/2014 Mays ..... D12/163  
D712,797 S \* 9/2014 Mays ..... D12/163  
D720,667 S \* 1/2015 Platto ..... D12/163  
D722,923 S \* 2/2015 George ..... D12/163  
D722,924 S \* 2/2015 George ..... D12/163  
D746,185 S \* 12/2015 Curic ..... D12/163  
D746,186 S \* 12/2015 Curic ..... D12/163  
D751,961 S \* 3/2016 Curic ..... D12/163

\* cited by examiner

*Primary Examiner* — Melody N. Brown

(74) *Attorney, Agent, or Firm* — Damian Porcari

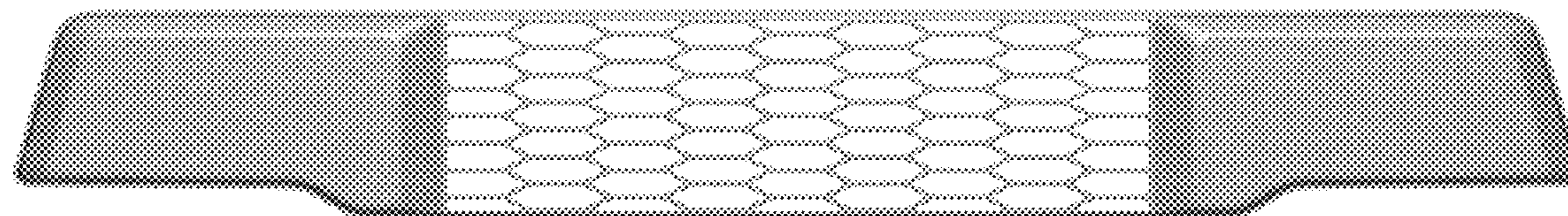
(57) **CLAIM**

The ornamental design for a vehicle front lower grille, as shown and described.

**DESCRIPTION**

FIG. 1 is a bottom left perspective view of a vehicle front lower grille;  
FIG. 2 is a bottom right perspective view thereof;  
FIG. 3 is a top rear perspective view thereof;  
FIG. 4 is a front elevational view thereof;  
FIG. 5 is a rear elevational view thereof;  
FIG. 6 is a left side elevational view thereof;  
FIG. 7 is a right side elevational view thereof;  
FIG. 8 is a top plan view thereof; and,  
FIG. 9 is a bottom plan view thereof.

**1 Claim, 9 Drawing Sheets**



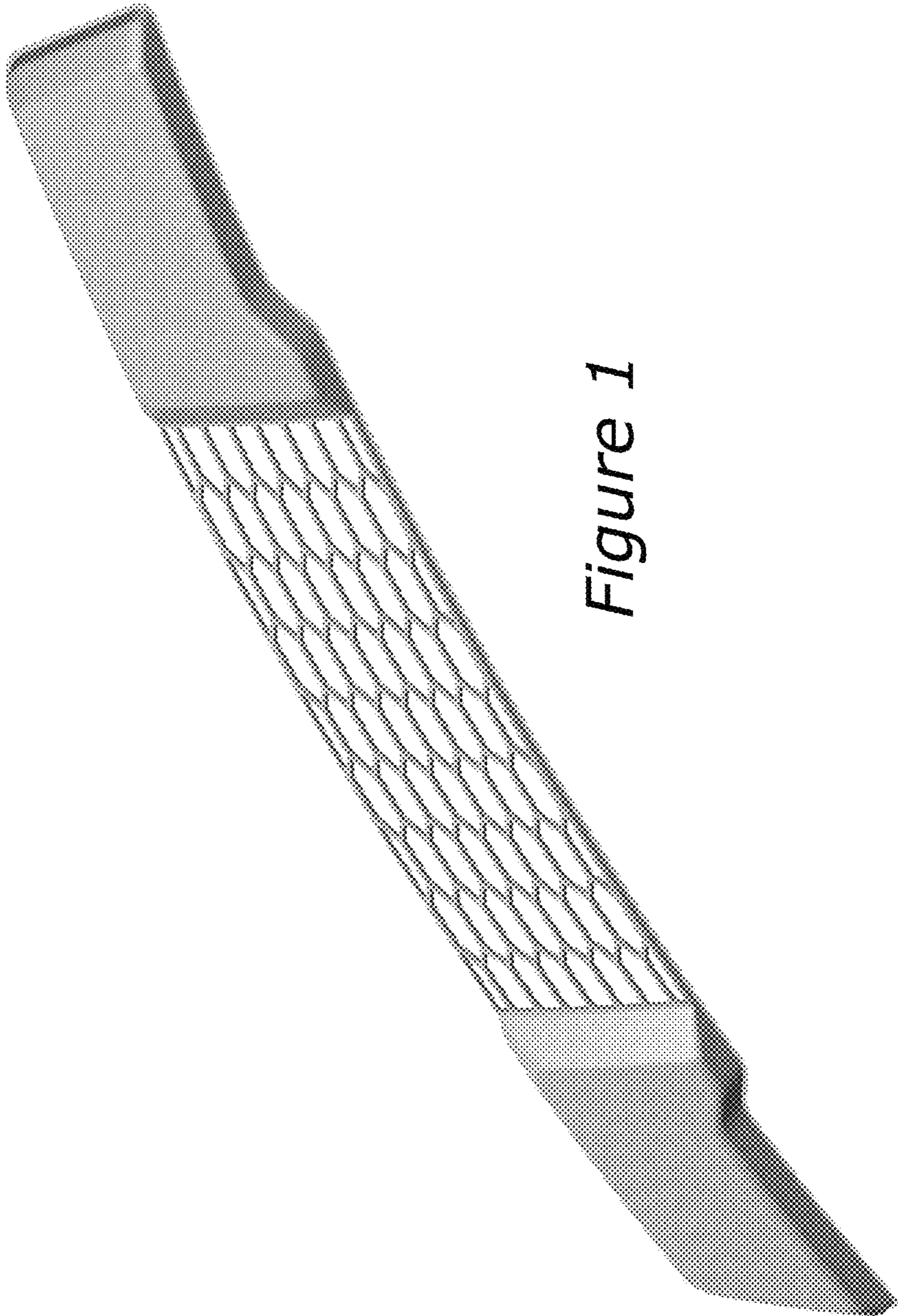


Figure 1

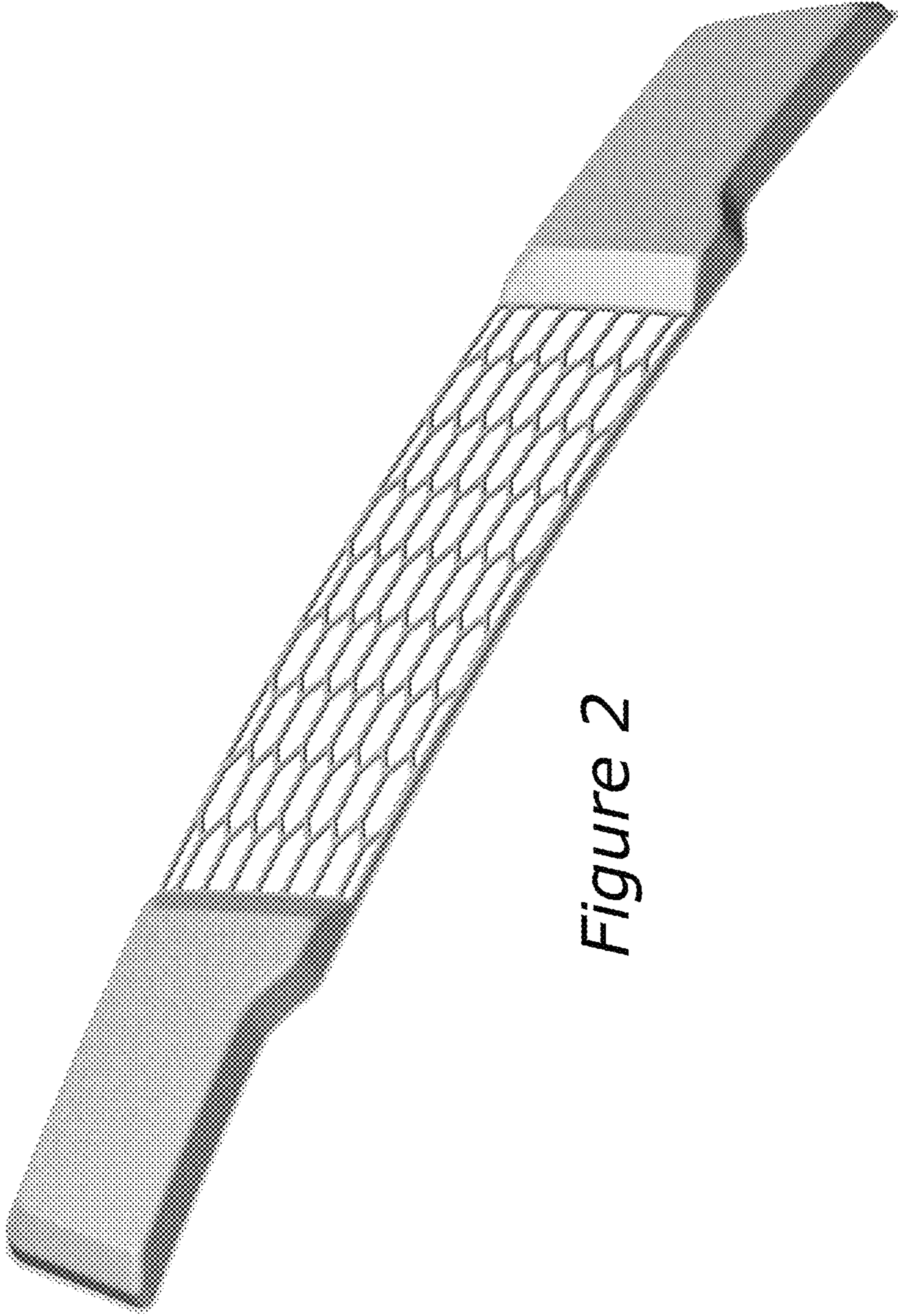


Figure 2

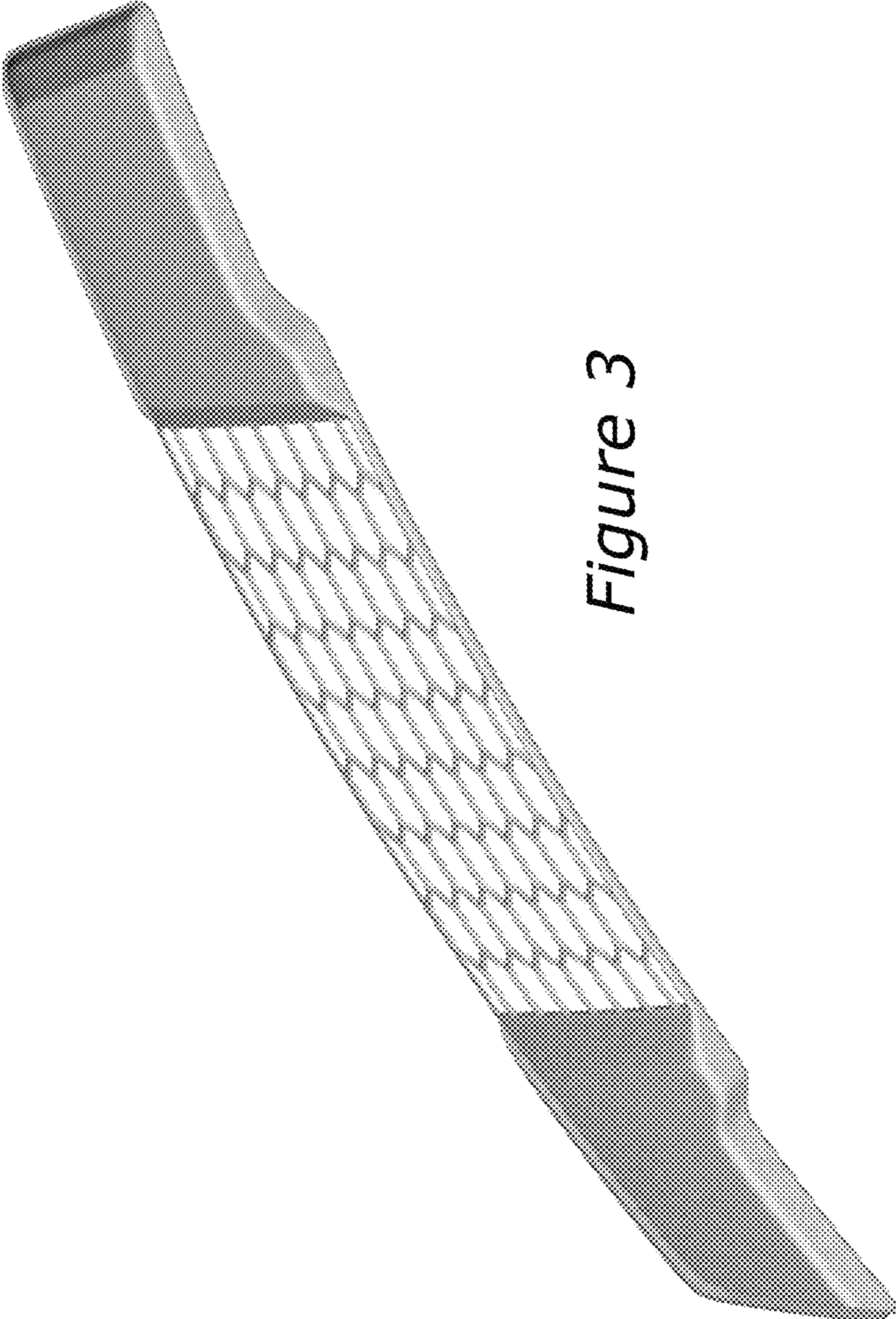


Figure 3

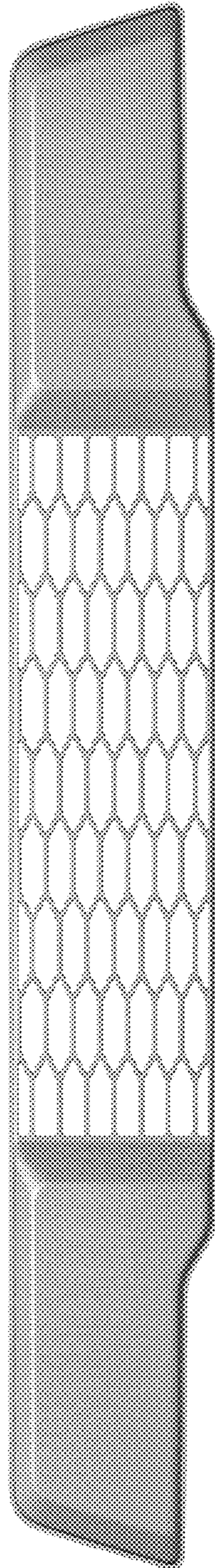


Figure 4

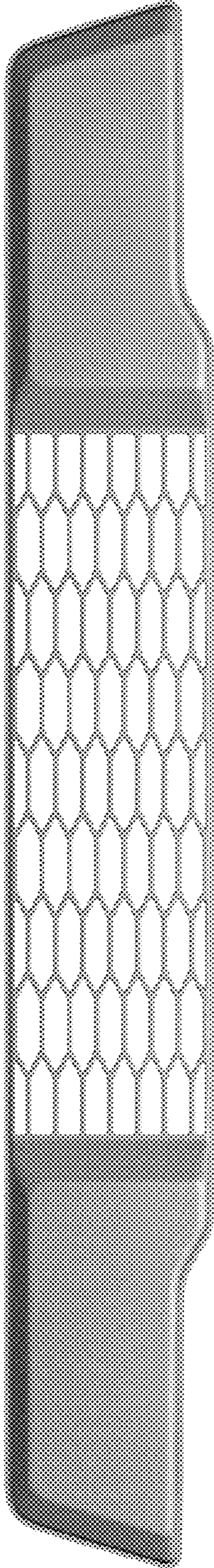


Figure 5

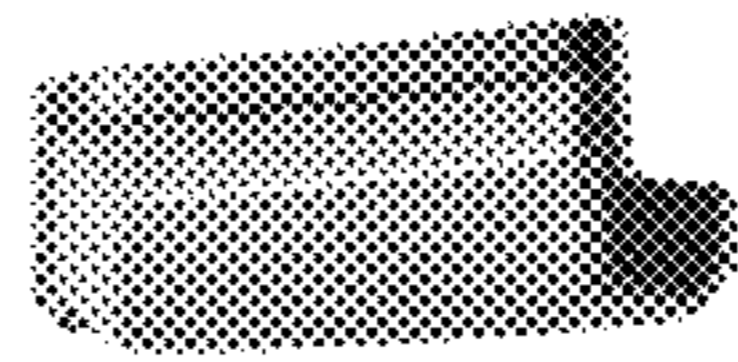


Figure 6



Figure 7



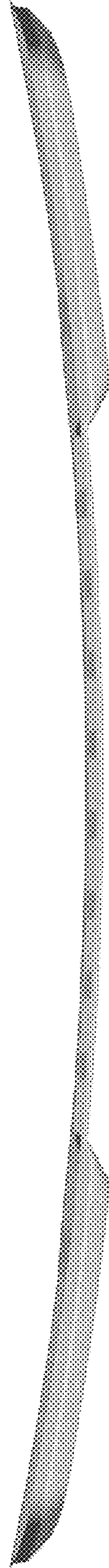


Figure 8

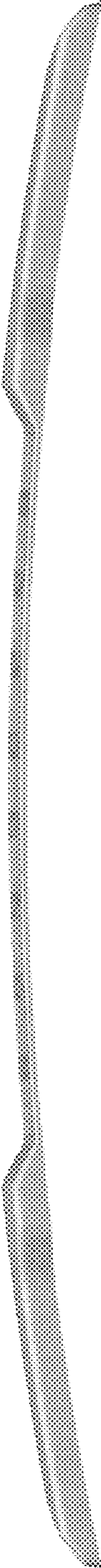


Figure 9