



US00D769158S

(12) **United States Design Patent**
Ruggiero et al.

(10) **Patent No.:** **US D769,158 S**
(45) **Date of Patent:** **** Oct. 18, 2016**

(54) **STROLLER**
(71) Applicant: **WONDERLAND NURSERYGOODS COMPANY LIMITED**, Kwai Chung, N.T. (HK)
(72) Inventors: **Anthony Ruggiero**, Downingtown, PA (US); **Robert E. Haut**, Merion Station, PA (US); **Andrew J. Taylor**, Mohnton, PA (US)
(73) Assignee: **WONDERLAND NURSERYGOODS COMPANY LIMITED**, Kwai Chung, N.T. (HK)

7,267,359 B1 * 9/2007 Yang B62B 7/08 280/47.34
7,364,171 B2 * 4/2008 Hu B60B 1/006 280/47.38
D578,044 S * 10/2008 Chen D12/129
D596,996 S * 7/2009 Yang D12/129
D621,306 S * 8/2010 Liao D12/129
D643,343 S * 8/2011 Song D12/129
D661,624 S * 6/2012 Stopp D12/129
D672,692 S * 12/2012 Jane Santamaria D12/129
D677,605 S * 3/2013 Ide D12/129

* cited by examiner

Primary Examiner — Charles Hanson
(74) *Attorney, Agent, or Firm* — Bacon & Thomas, PLLC

(**) Term: **15 Years**

(21) Appl. No.: **29/505,200**

(22) Filed: **Jul. 21, 2015**

(51) **LOC (10) Cl.** **12-12**

(52) **U.S. Cl.**
USPC **D12/129**

(58) **Field of Classification Search**
USPC D12/128–133
CPC B62B 7/00–7/04; B62B 9/00–9/28
See application file for complete search history.

(56) **References Cited**

U.S. PATENT DOCUMENTS

D375,707 S * 11/1996 Yang D12/129
D519,422 S * 4/2006 Huang D12/129

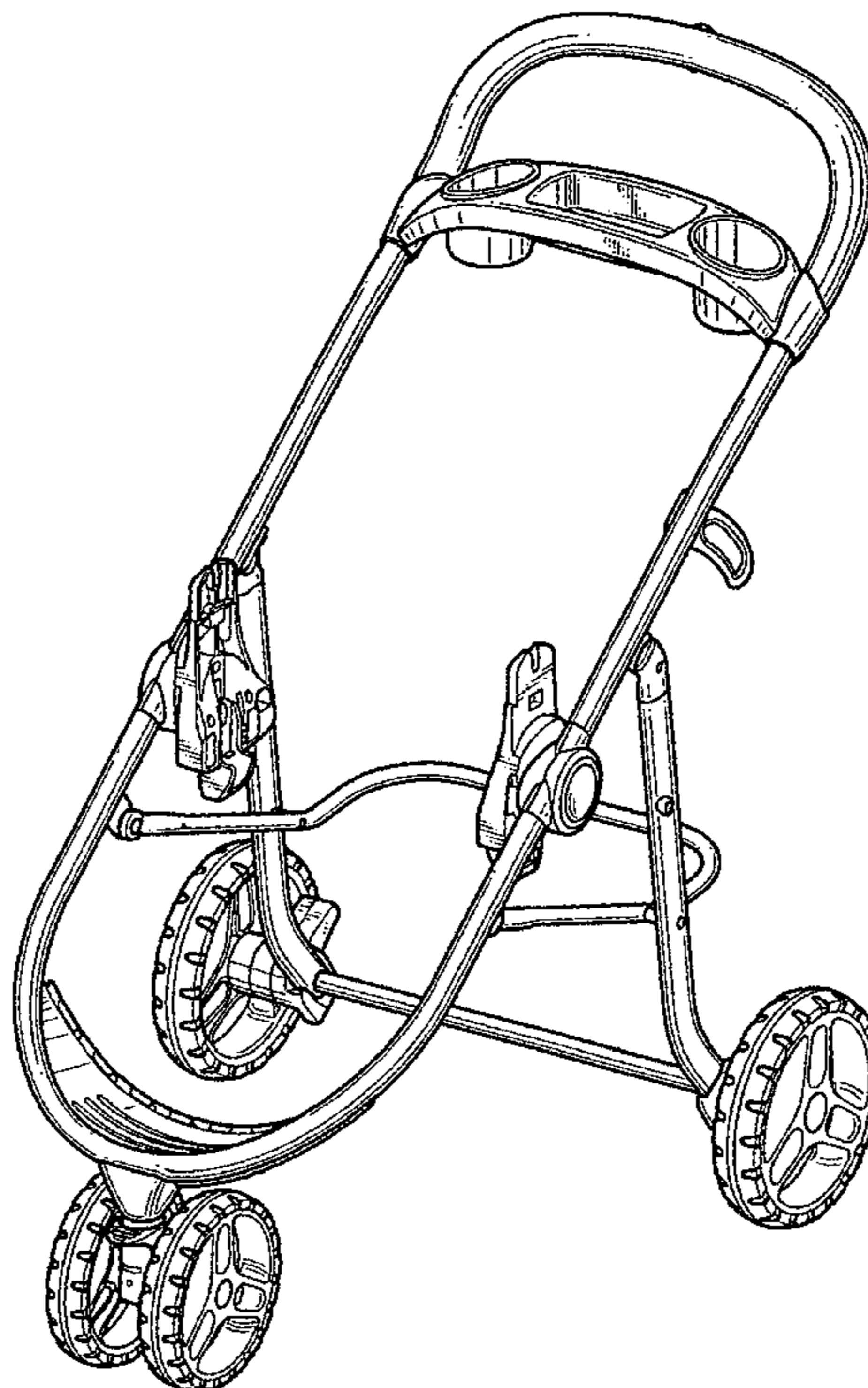
(57) **CLAIM**

The ornamental design for a stroller, as shown and described.

DESCRIPTION

FIG. 1 is a perspective view of a stroller in accordance with our new design;
FIG. 2 is a front view of FIG. 1;
FIG. 3 is a rear view of FIG. 1;
FIG. 4 is a left side view of FIG. 1;
FIG. 5 is a right side view of FIG. 1;
FIG. 6 is a top view of FIG. 1; and,
FIG. 7 is a bottom view of FIG. 1.

1 Claim, 7 Drawing Sheets



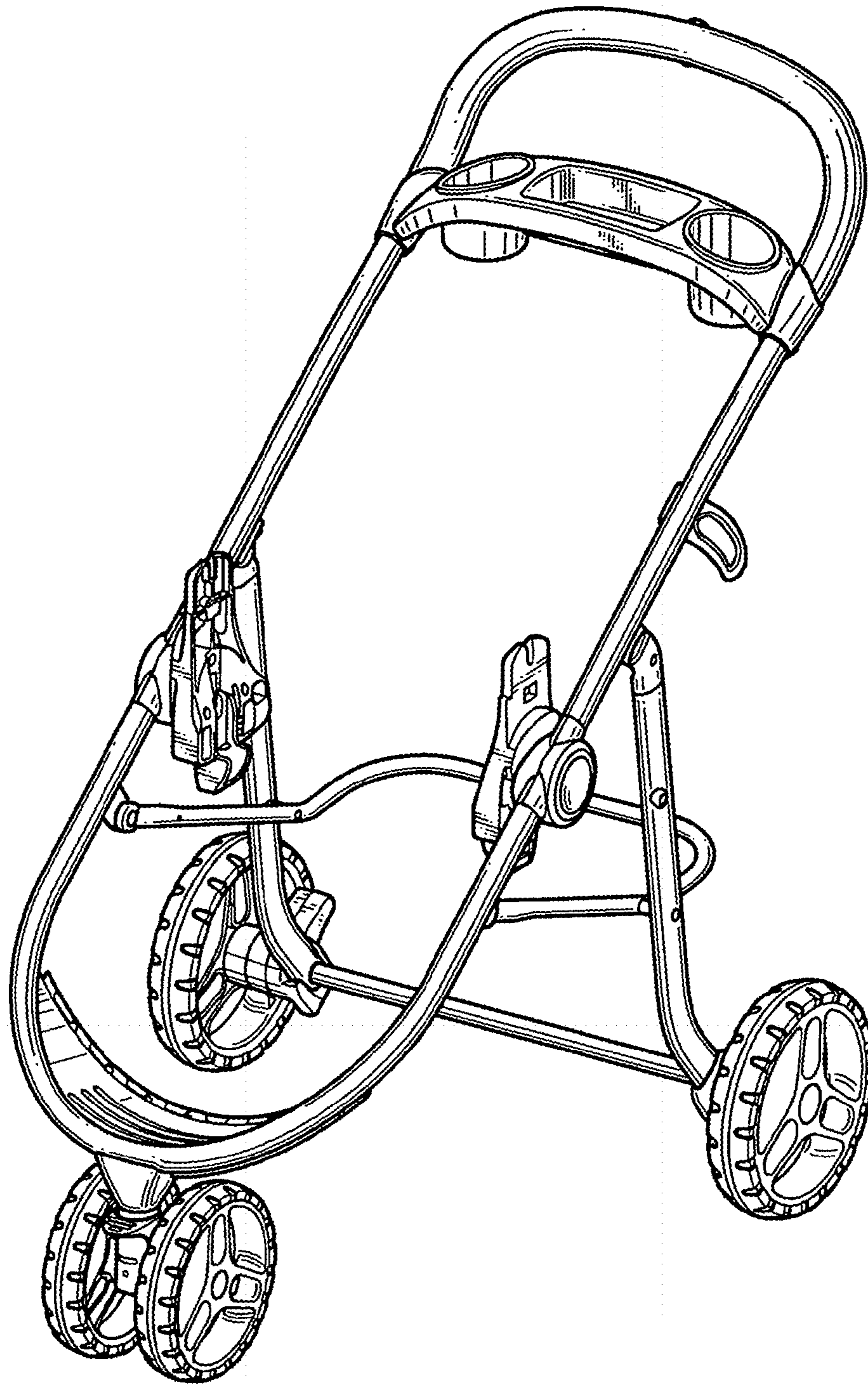


Fig. 1

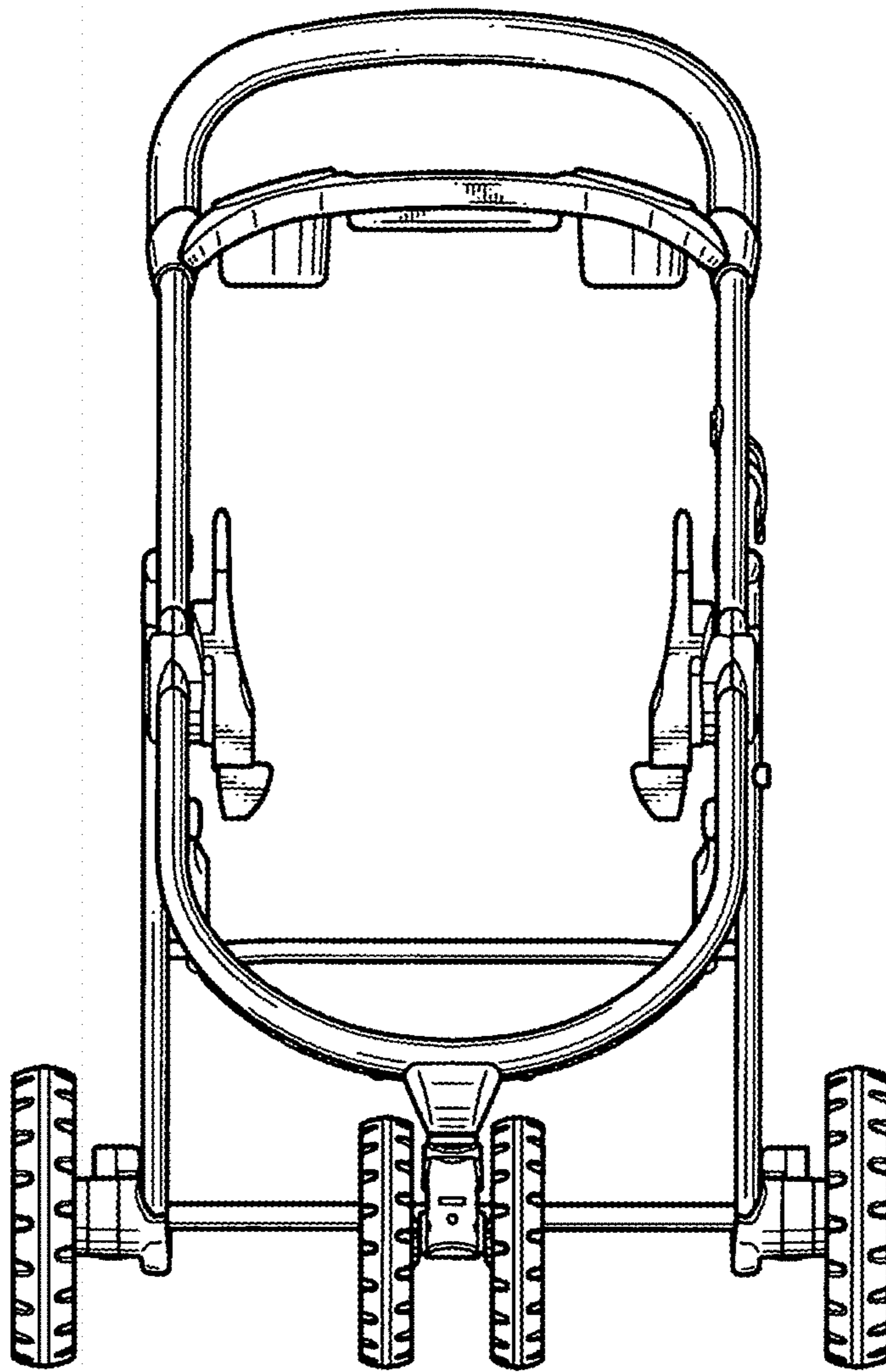


Fig. 2

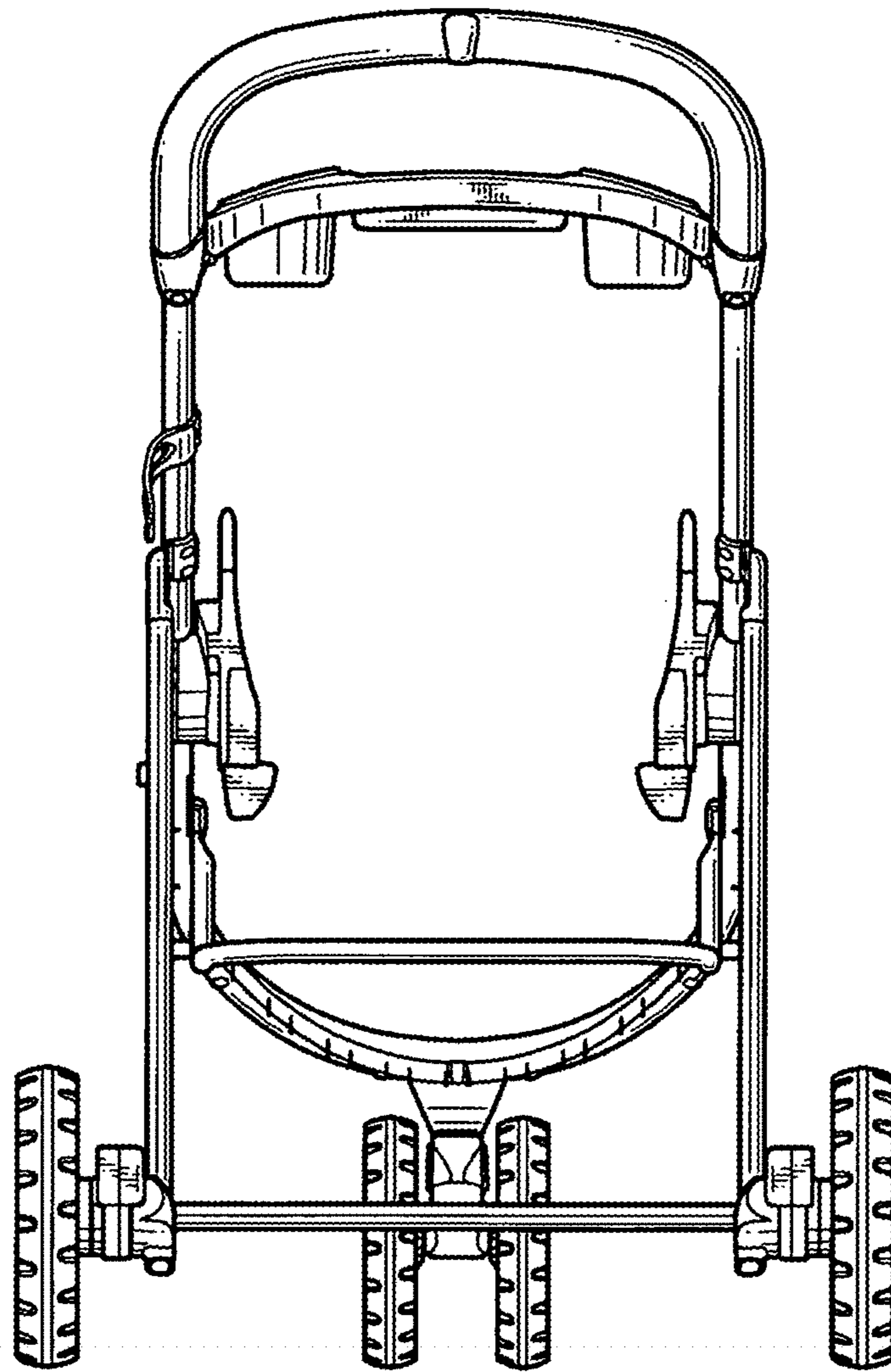


Fig. 3

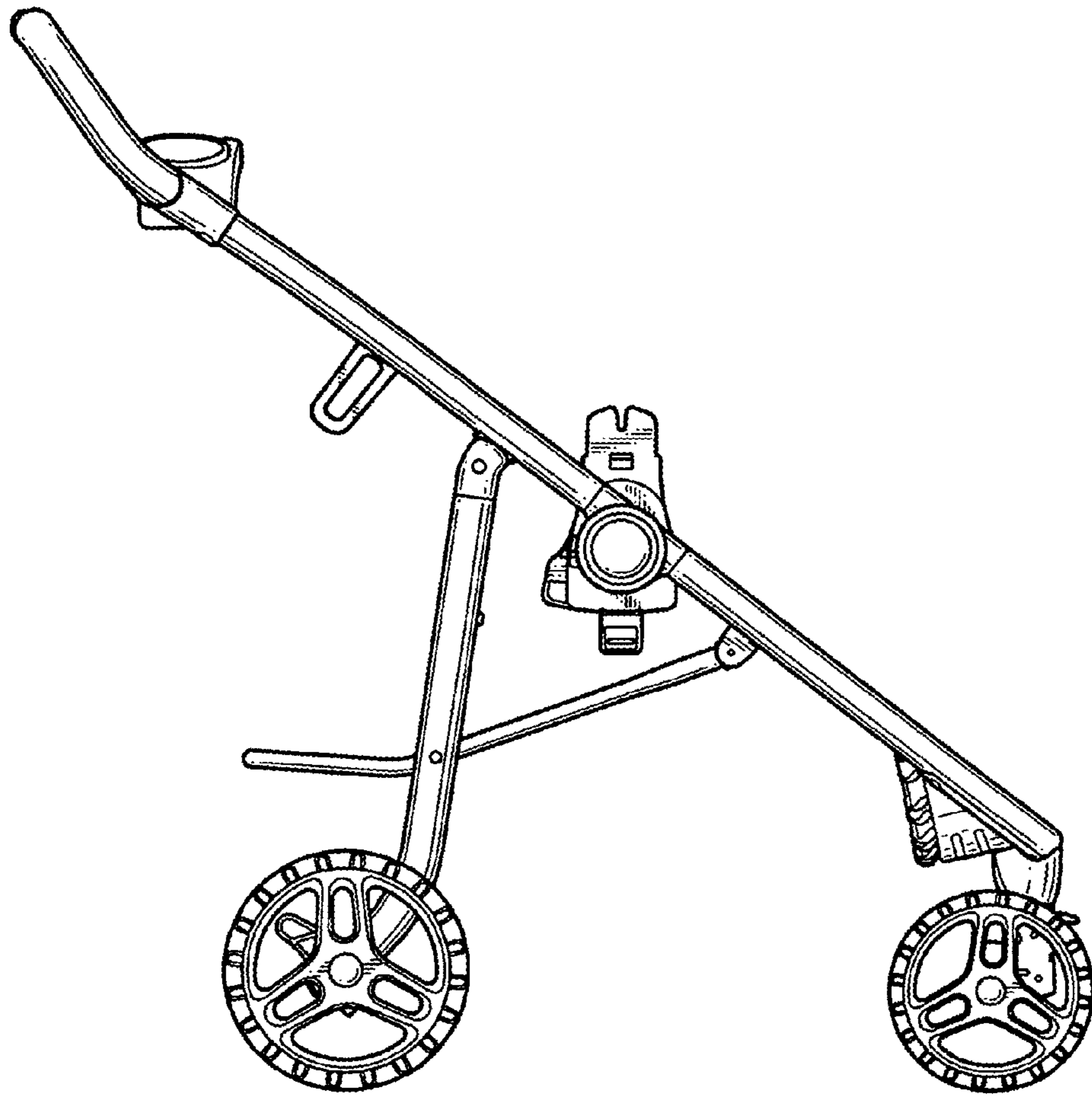


Fig. 4

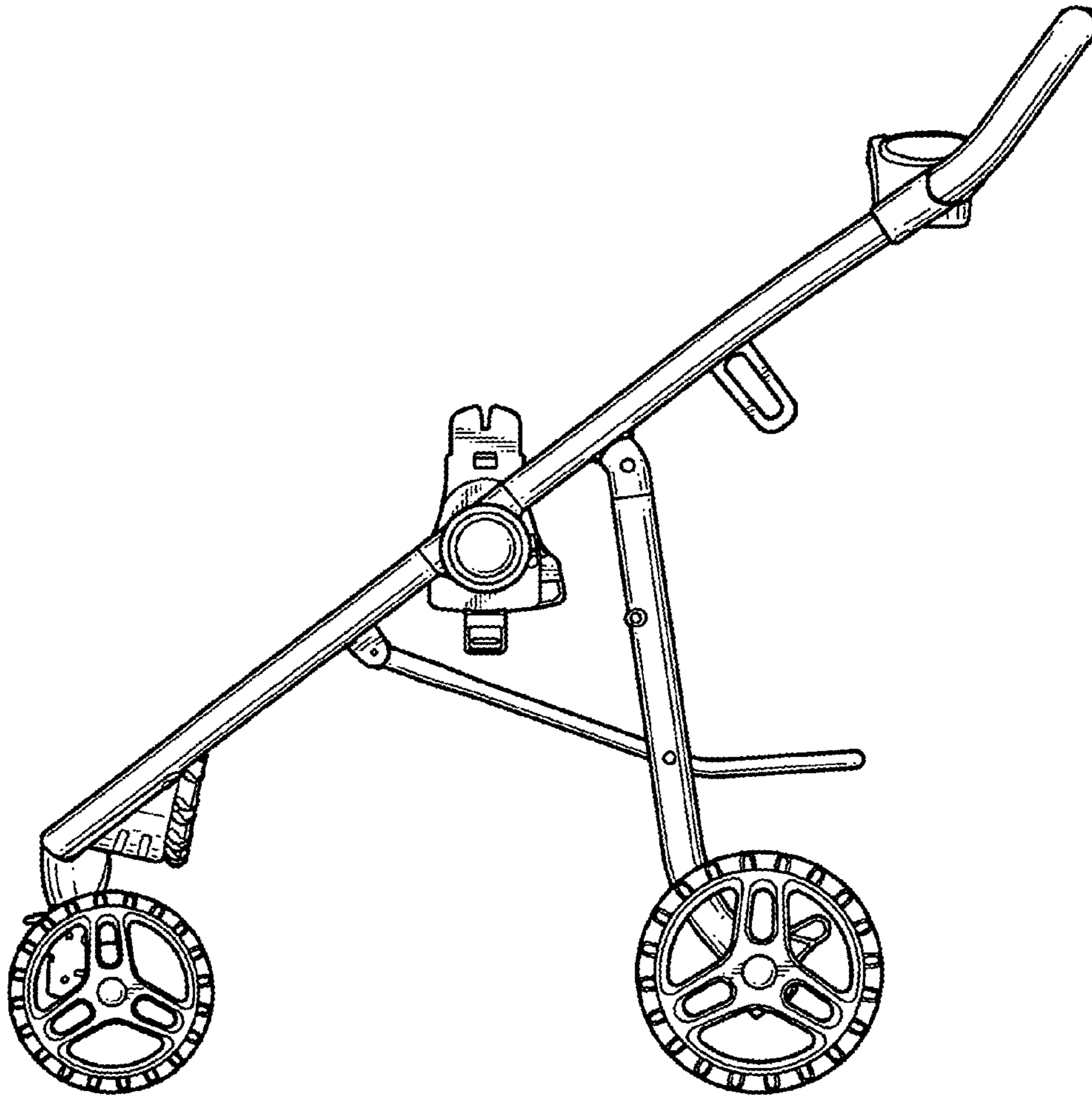


Fig. 5

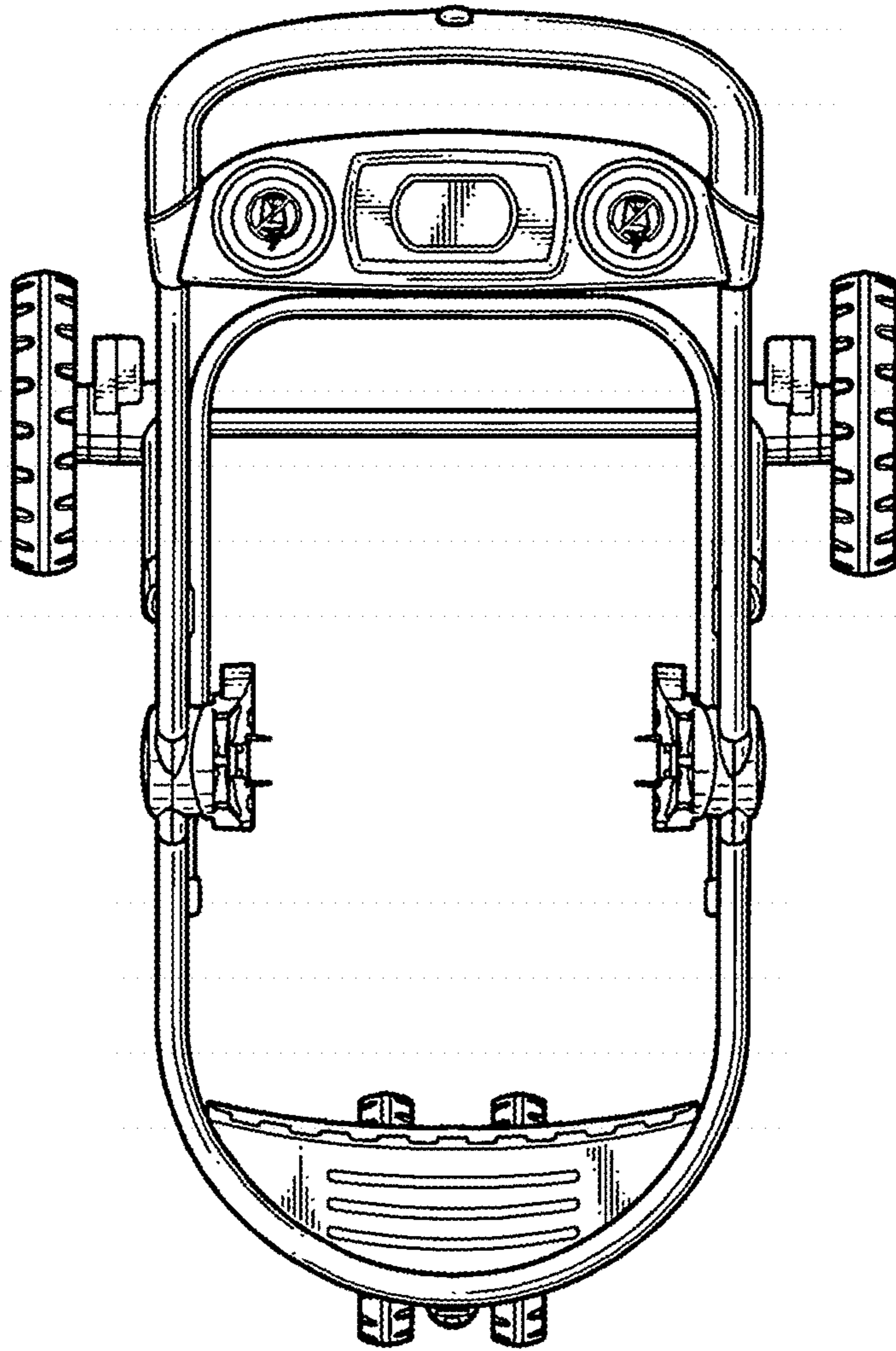


Fig. 6

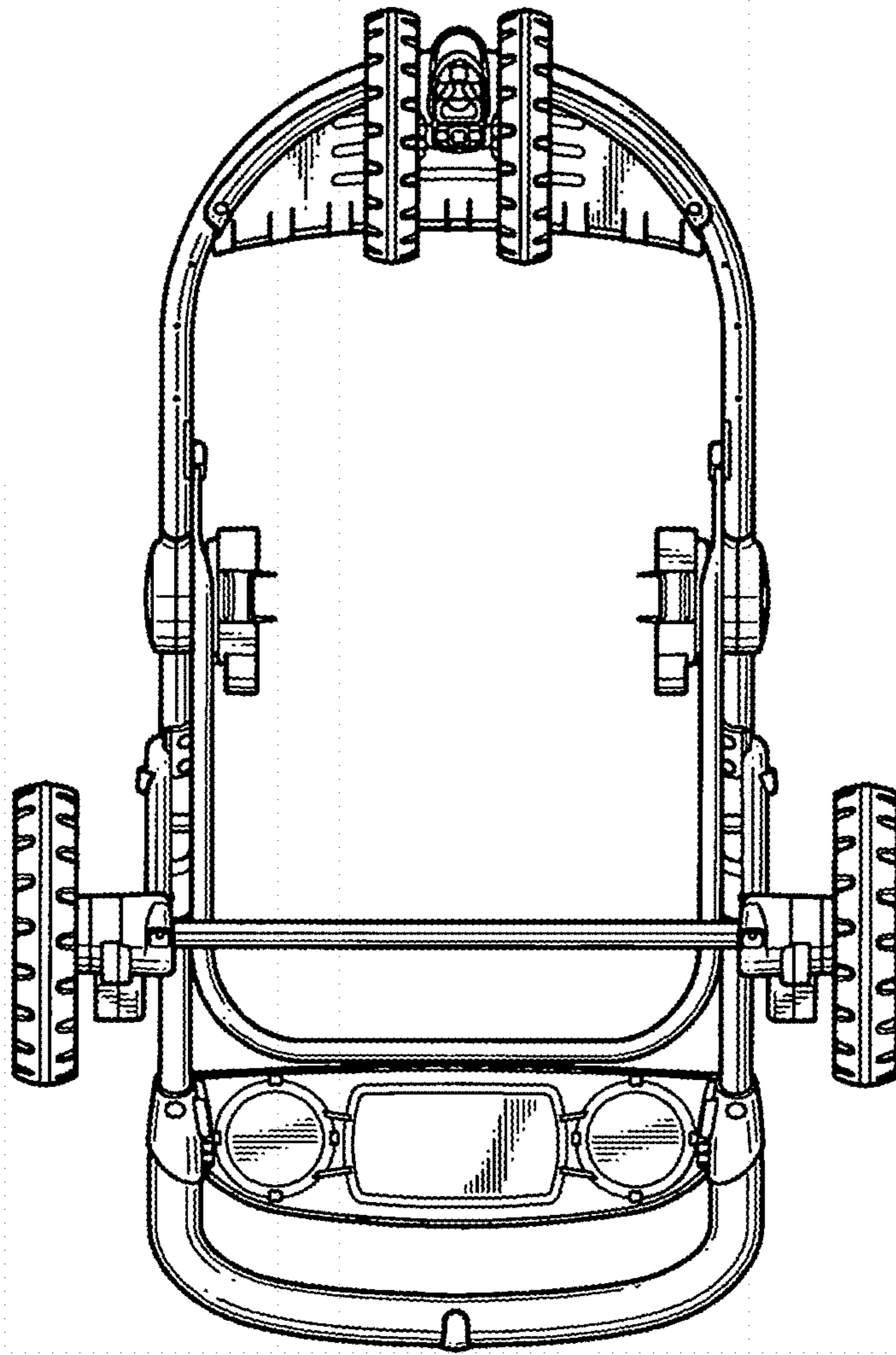


Fig. 7