



US00D769155S

(12) **United States Design Patent** (10) **Patent No.:** **US D769,155 S**  
**Garand et al.** (45) **Date of Patent:** **\*\* Oct. 18, 2016**

(54) **VEHICLE, TOY AND/OR REPLICAS THEREOF**

(71) Applicant: **AUDI AG**, Ingolstadt (DE)

(72) Inventors: **Dany Garand**, Ingolstadt (DE);  
**Juergen Loeffler**, Gaimershiem (DE)

(73) Assignee: **AUDI AG**, Ingolstadt (DE)

(\*\*) Term: **14 Years**

(21) Appl. No.: **29/521,006**

(22) Filed: **Mar. 19, 2015**

(30) **Foreign Application Priority Data**

Sep. 23, 2014 (EM) ..... 002 543 561-0001  
Sep. 23, 2014 (EM) ..... 002 543 579-0001

(51) **LOC (10) Cl.** ..... **12-08**

(52) **U.S. Cl.**  
USPC ..... **D12/92**

(58) **Field of Classification Search**  
USPC ..... D12/86, 90-92, 88; D21/421, 433, 434;  
296/181.1, 181.5  
CPC ..... B62D 35/00; B62D 25/00; B62D 25/06;  
B62D 33/00  
See application file for complete search history.

(56) **References Cited**

**U.S. PATENT DOCUMENTS**

D736,672 S \* 8/2015 Lamberty ..... D12/92  
D737,175 S \* 8/2015 Telaak ..... D12/92  
D738,788 S \* 9/2015 Garand ..... D12/92  
D761,697 S \* 7/2016 Bischoff ..... D12/92

\* cited by examiner

*Primary Examiner* — Melody N Brown

(74) *Attorney, Agent, or Firm* — Lucas & Mercanti, LLP;  
Klaus P. Stoffel

(57) **CLAIM**

The ornamental design for a vehicle, toy and/or replicas thereof, as shown and described.

**DESCRIPTION**

FIG. 1 is a front, right side perspective view of the vehicle, toy and/or replicas thereof of the present invention with the top up;

FIG. 2 is a rear, left side perspective view thereof;

FIG. 3 is a front view thereof;

FIG. 4 is a rear view thereof;

FIG. 5 is a right side view thereof;

FIG. 6 is a left side view thereof;

FIG. 7 is a top view thereof;

FIG. 8 is a front, right side perspective view thereof with the top down;

FIG. 9 is a rear, left side perspective view thereof;

FIG. 10 is a front view thereof;

FIG. 11 is a rear view thereof;

FIG. 12 is a right side view thereof;

FIG. 13 is a left side view thereof; and,

FIG. 14 is a top view thereof.

The wheels do not form part of the claimed design.

**1 Claim, 8 Drawing Sheets**



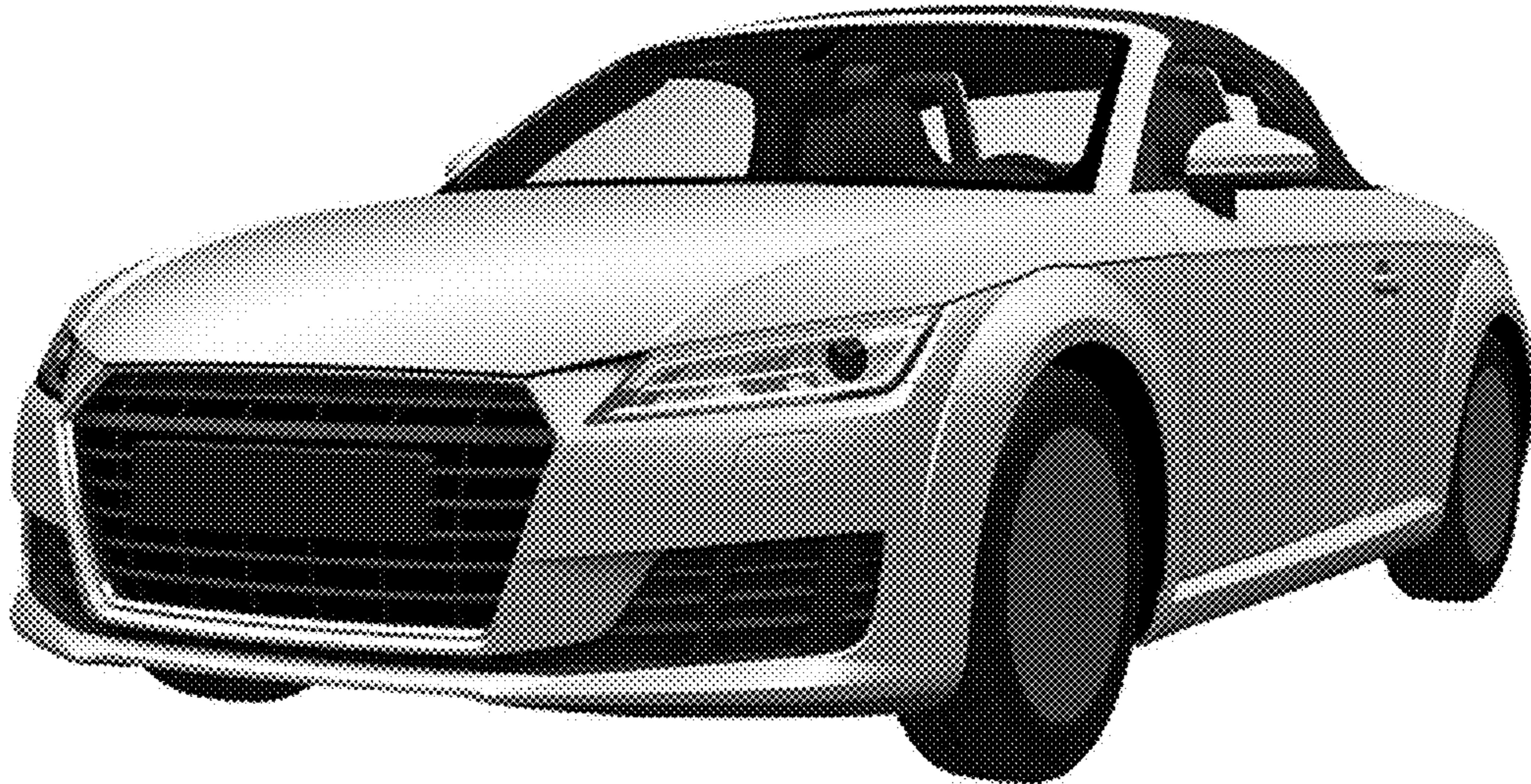
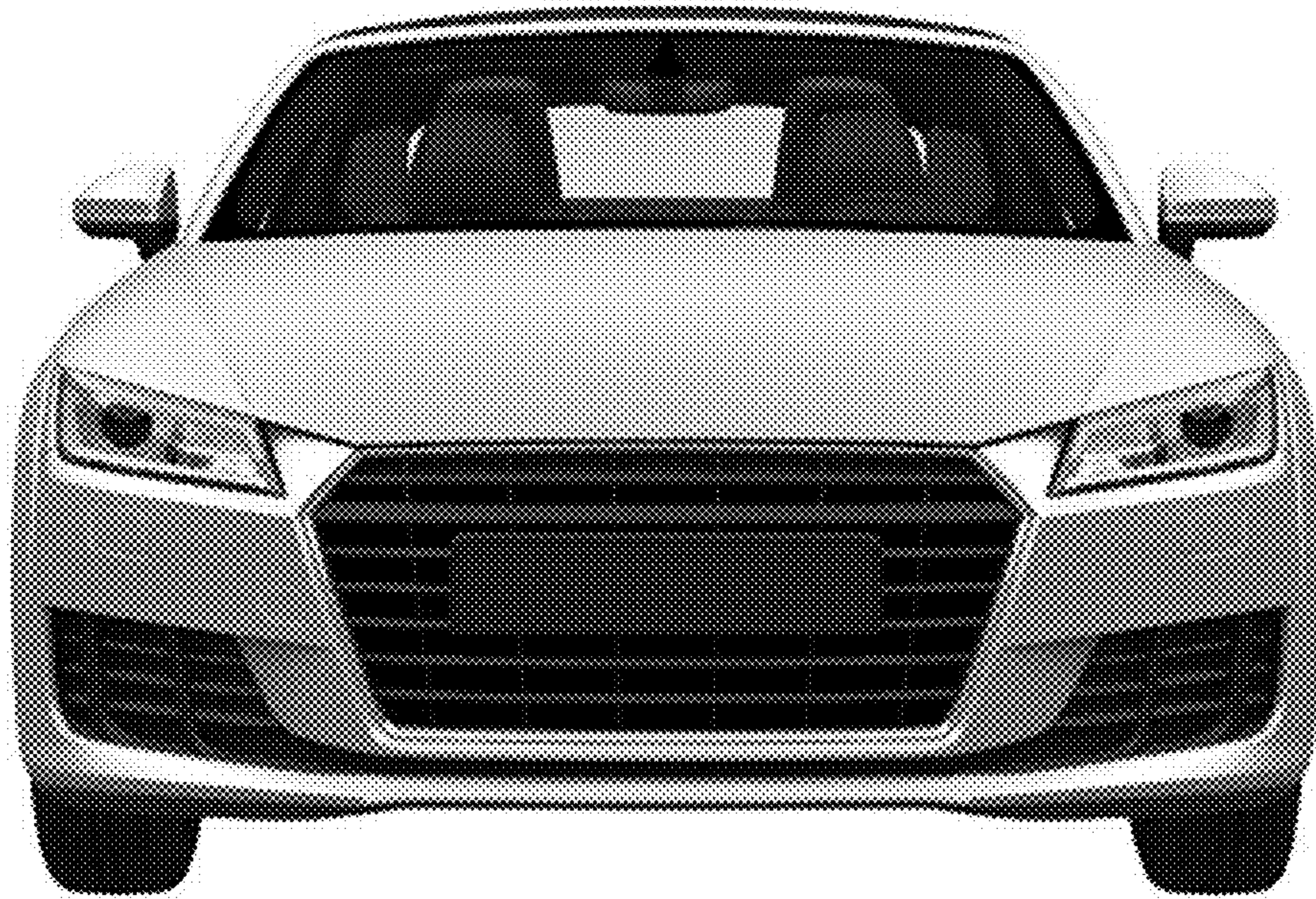


Fig. 1



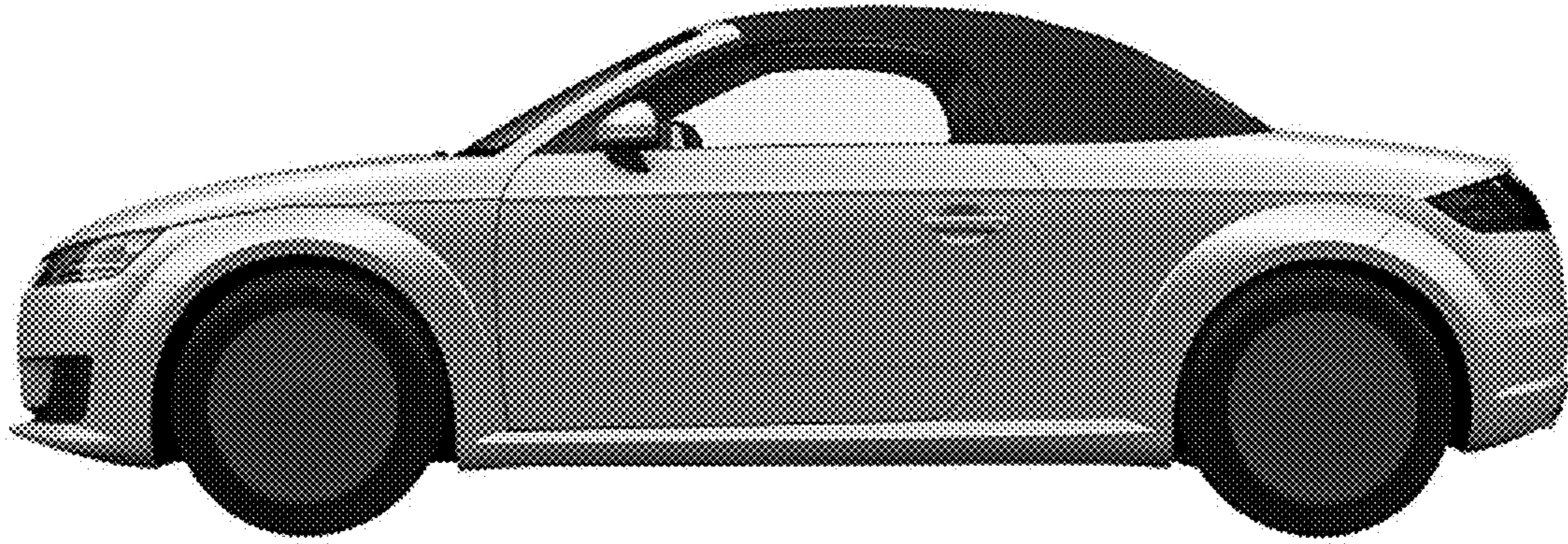
Fig. 2



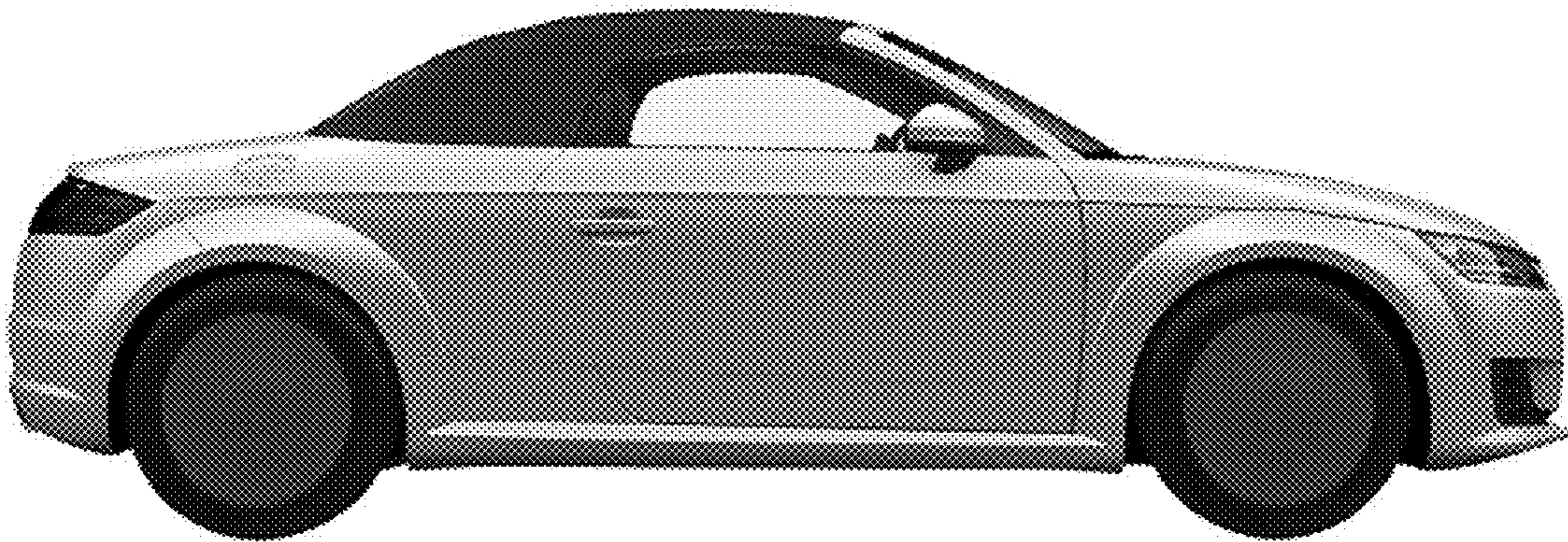
**Fig. 3**



**Fig. 4**



**Fig. 5**



**Fig. 6**

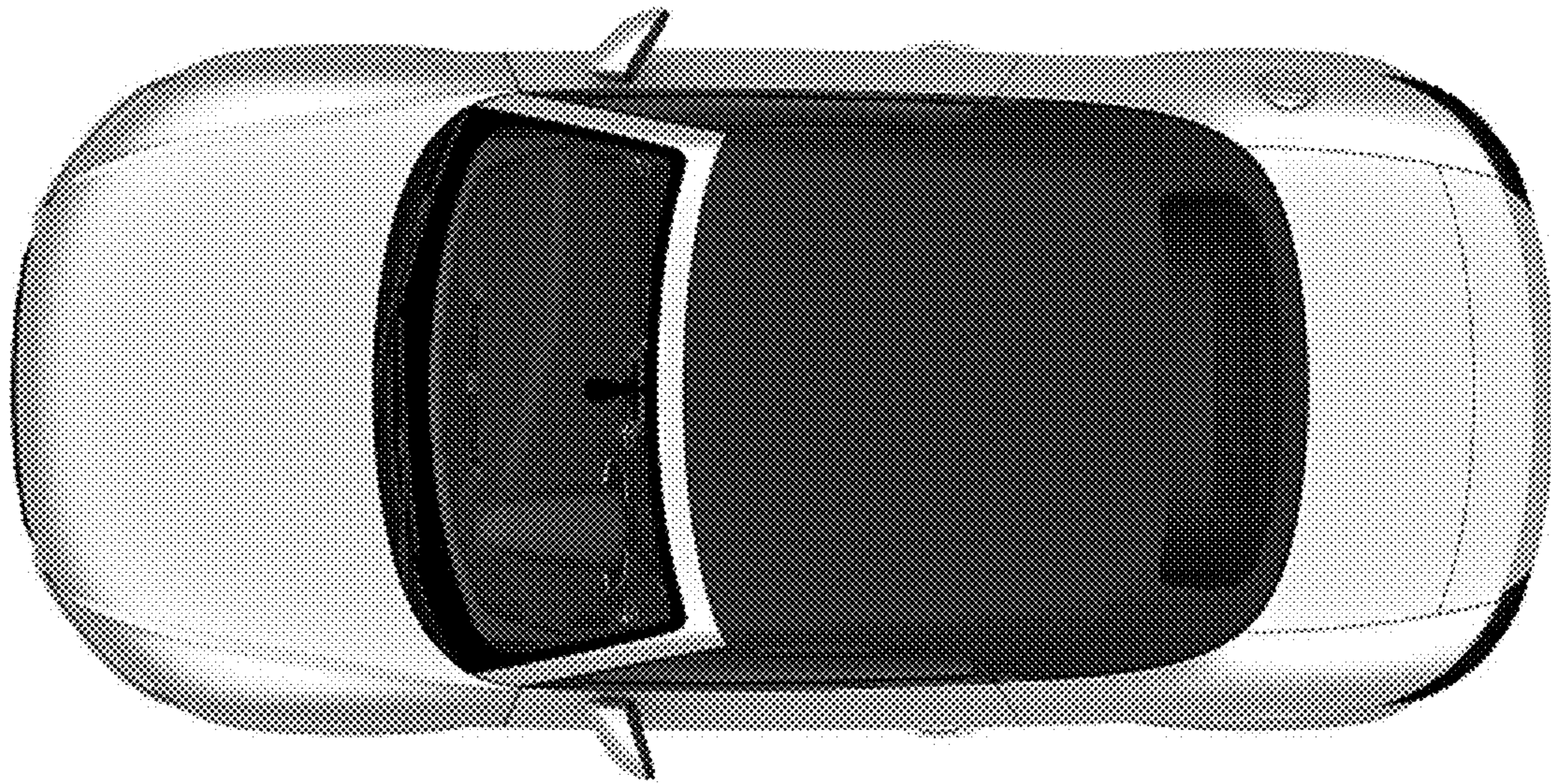
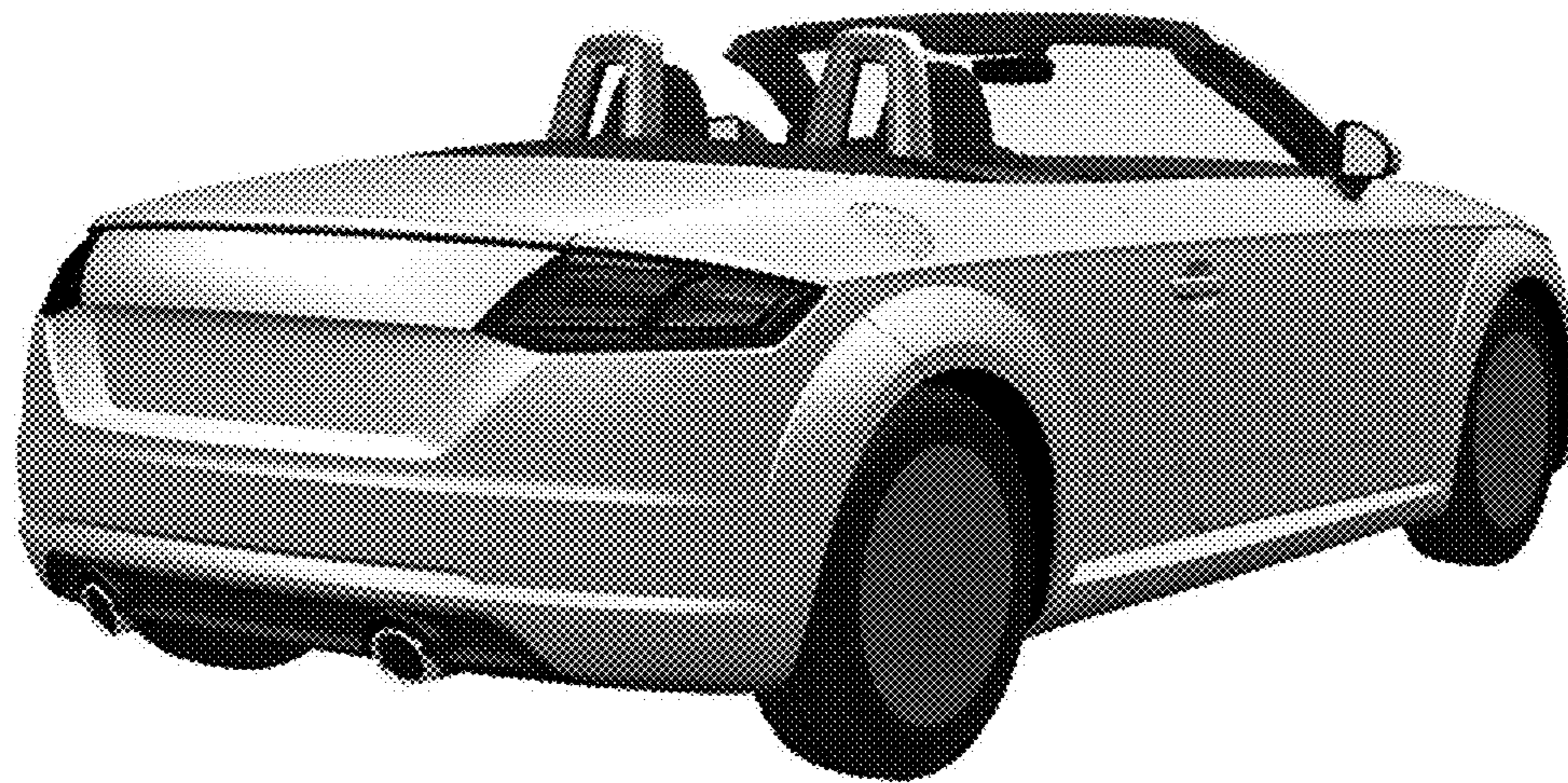


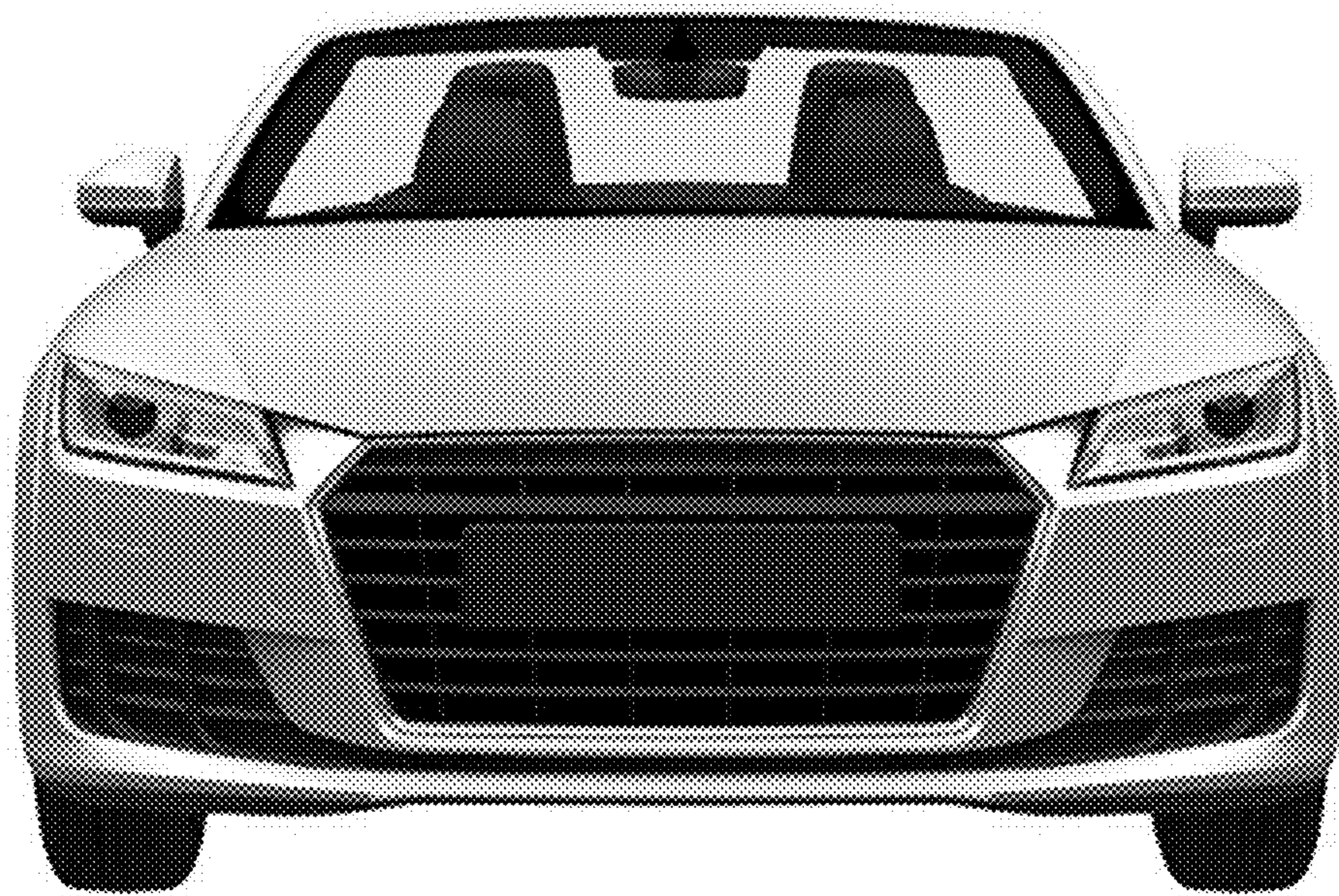
Fig. 7



**Fig. 8**



**Fig. 9**



**Fig. 10**



**Fig. 11**

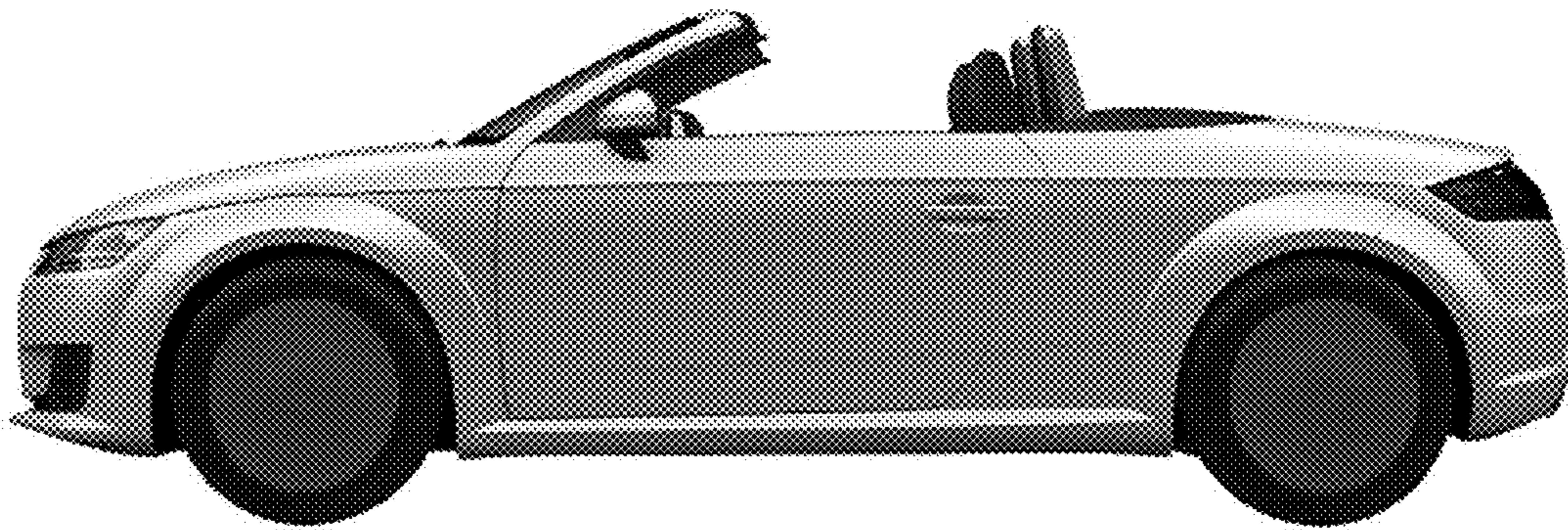


Fig. 12

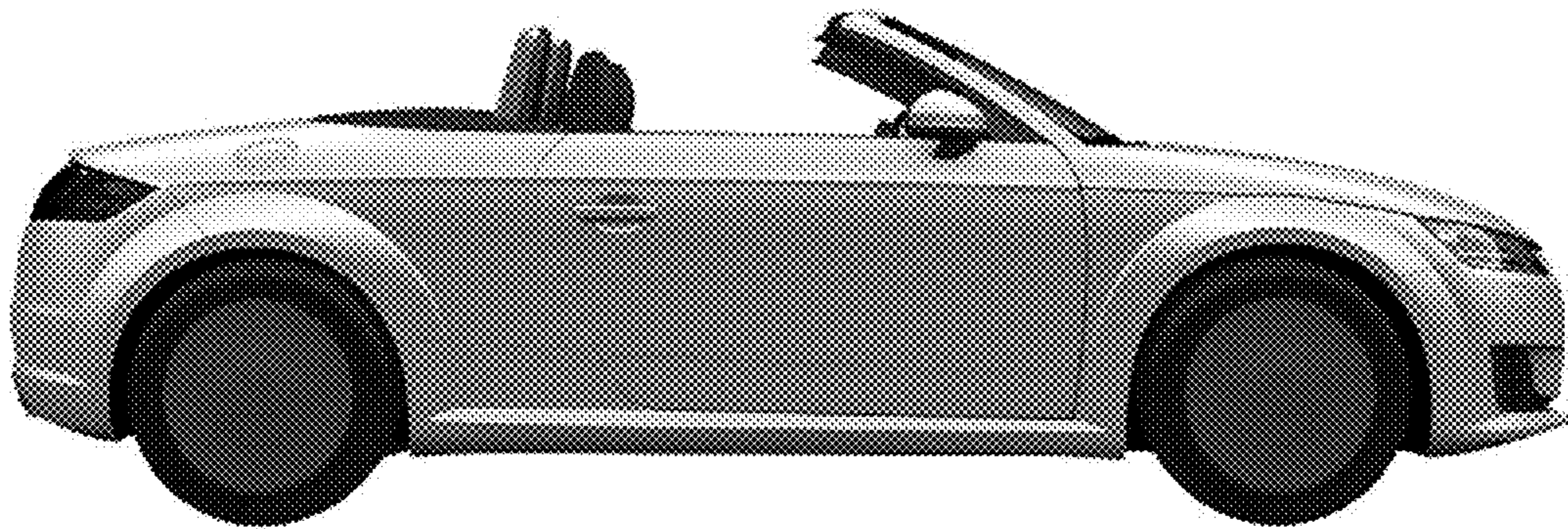


Fig. 13



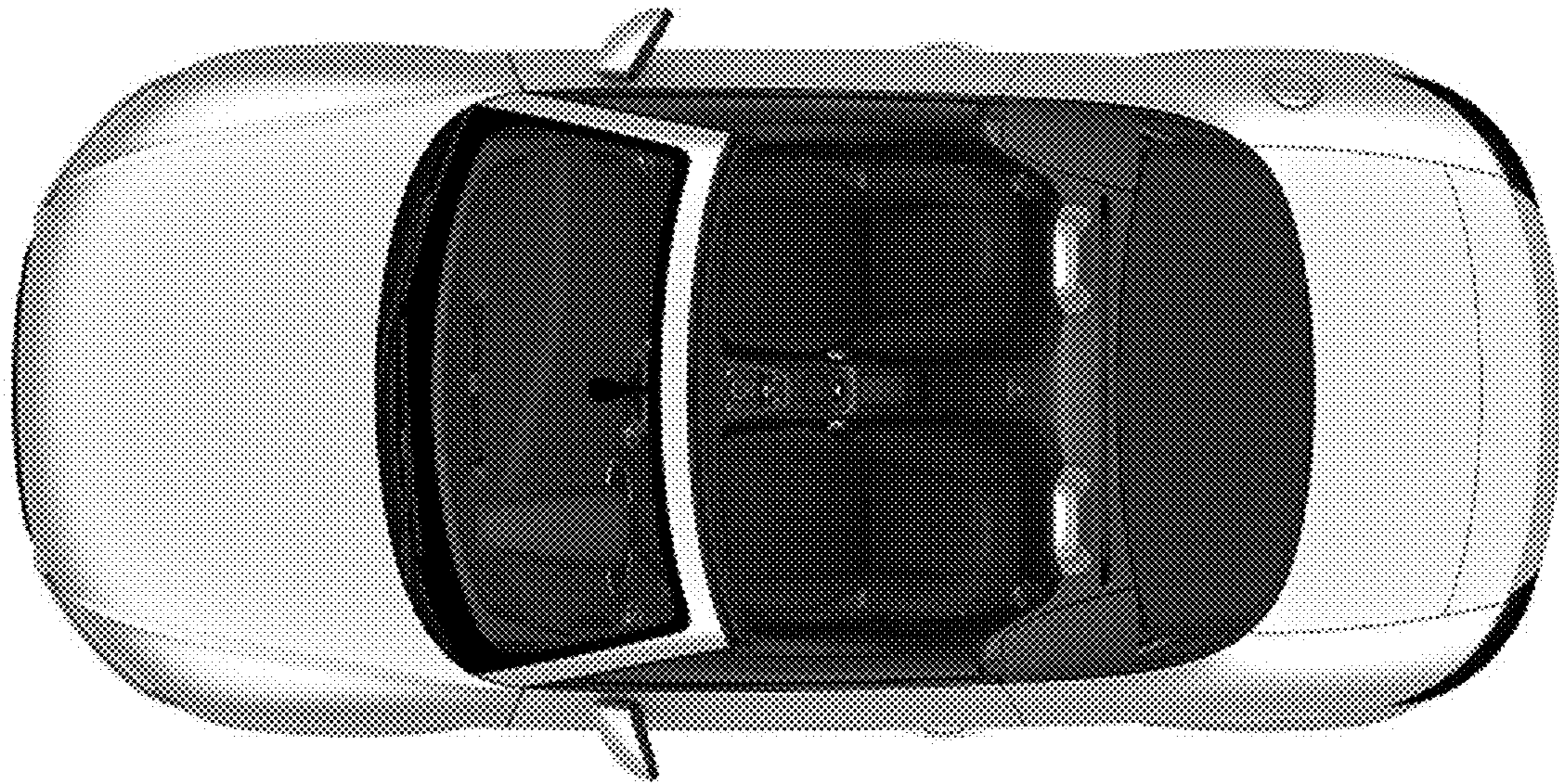


Fig. 14