



US00D769148S

(12) **United States Design Patent** (10) **Patent No.:** **US D769,148 S**
Siegel et al. (45) **Date of Patent:** **** Oct. 18, 2016**

(54) **PLANTER**

(71) Applicant: **Apple Inc.**, Cupertino, CA (US)
(72) Inventors: **Jonathan P. Siegel**, San Francisco, CA (US); **Christopher M. Green**, Woodside, CA (US); **Stefan Behling**, London (GB); **David Summerfield**, London (GB); **James McGrath**, Cupertino, CA (US); **Christopher Daniel Peak**, Oakland, CA (US); **Patrick O'Brien**, West Nyack, NY (US); **Jennifer Ross Wynn**, San Francisco, CA (US); **Andrea Fender Badgley**, San Francisco, CA (US); **Richard P. Howarth**, San Francisco, CA (US); **Rafe Bertram**, London (GB); **John De Maio**, Cupertino, CA (US); **Susana Varela De Sagarra**, London (GB); **Raoul Skrein Bumballa**, London (GB); **Neil Bancroft**, London (GB); **Charlotte Hofstetter**, San Francisco, CA (US); **Afroditi Kavallieraki**, London (GB)

(73) Assignee: **Apple Inc.**, Cupertino, CA (US)

(**) Term: **14 Years**

(21) Appl. No.: **29/517,034**

(22) Filed: **Feb. 9, 2015**

(51) **LOC (10) Cl.** **11-02**

(52) **U.S. Cl.**
USPC **D11/152**

(58) **Field of Classification Search**
USPC D6/403-405, 556-558, 683;
D11/143-156, 164; D7/587; D9/932,
D9/428, 549
CPC A01G 9/02; A01G 9/021; A01G 9/022;
A01G 9/023; A01G 9/024; A01G 9/028;
A01G 9/04; A01G 9/042; A01G 9/10;
A01G 9/12

See application file for complete search history.

(56) **References Cited**

U.S. PATENT DOCUMENTS

D118,920 S * 2/1940 Trevisan D9/780
2,813,619 A * 11/1957 Gerowin A45F 5/08
206/423
3,716,239 A * 2/1973 Goudreau A63B 69/3638
473/256
4,515,108 A * 5/1985 Rankin, Jr. A01G 9/02
119/428
D279,175 S * 6/1985 Eklof D11/143
4,561,476 A * 12/1985 Bunkoczy B65D 88/04
141/311 R
5,050,342 A * 9/1991 Figueroa A01G 9/02
29/416

(Continued)

OTHER PUBLICATIONS

U.S. Appl. No. 29/522,921, filed Apr. 3, 2015.

Primary Examiner — Elizabeth Albert

(74) *Attorney, Agent, or Firm* — Sterne, Kessler,
Goldstein & Fox P.L.L.C.

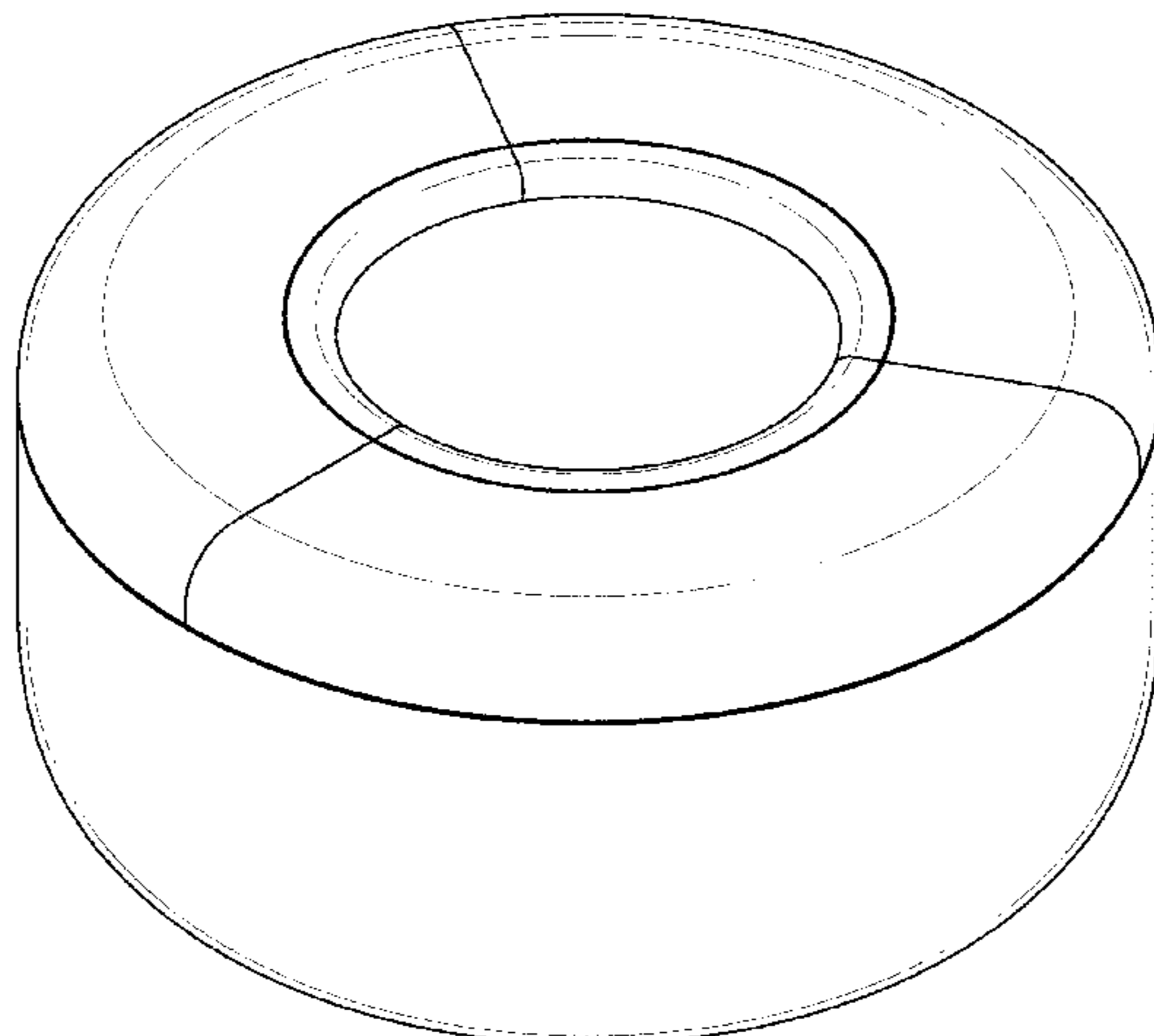
(57) **CLAIM**

The ornamental design for a planter, as shown and described.

DESCRIPTION

FIG. 1 is a top front perspective view of a planter showing our new design;
FIG. 2 is a front view thereof;
FIG. 3 is a rear view thereof;
FIG. 4 is a right side view thereof;
FIG. 5 is a left side view thereof;
FIG. 6 is a top view thereof;
FIG. 7 is a bottom view thereof; and,
FIG. 8 is another right side view of the planter in an environment in which it may be used.
The broken lines in the Figures show environment that forms no part of the claimed design.

1 Claim, 8 Drawing Sheets



(56)

References Cited

U.S. PATENT DOCUMENTS

D386,446 S * 11/1997 Favish D11/131
5,704,162 A * 1/1998 Holtkamp, Jr. A01G 27/04
47/79
6,055,773 A * 5/2000 Yang A01G 9/02
119/61.1
D439,682 S * 3/2001 Murdick D26/7
D470,273 S * 2/2003 Revivo D28/76
D471,799 S * 3/2003 Davis D9/643

D476,572 S * 7/2003 Merritt D28/82
D496,474 S * 9/2004 Murdick D26/7
D511,228 S * 11/2005 Byrne D12/503
D523,750 S * 6/2006 Lee D28/82
D616,616 S * 5/2010 Byrne D30/160
D718,501 S * 11/2014 Byrne D30/160
D721,975 S * 2/2015 Arefieg D9/643
D742,562 S * 11/2015 Kasha D26/22

* cited by examiner

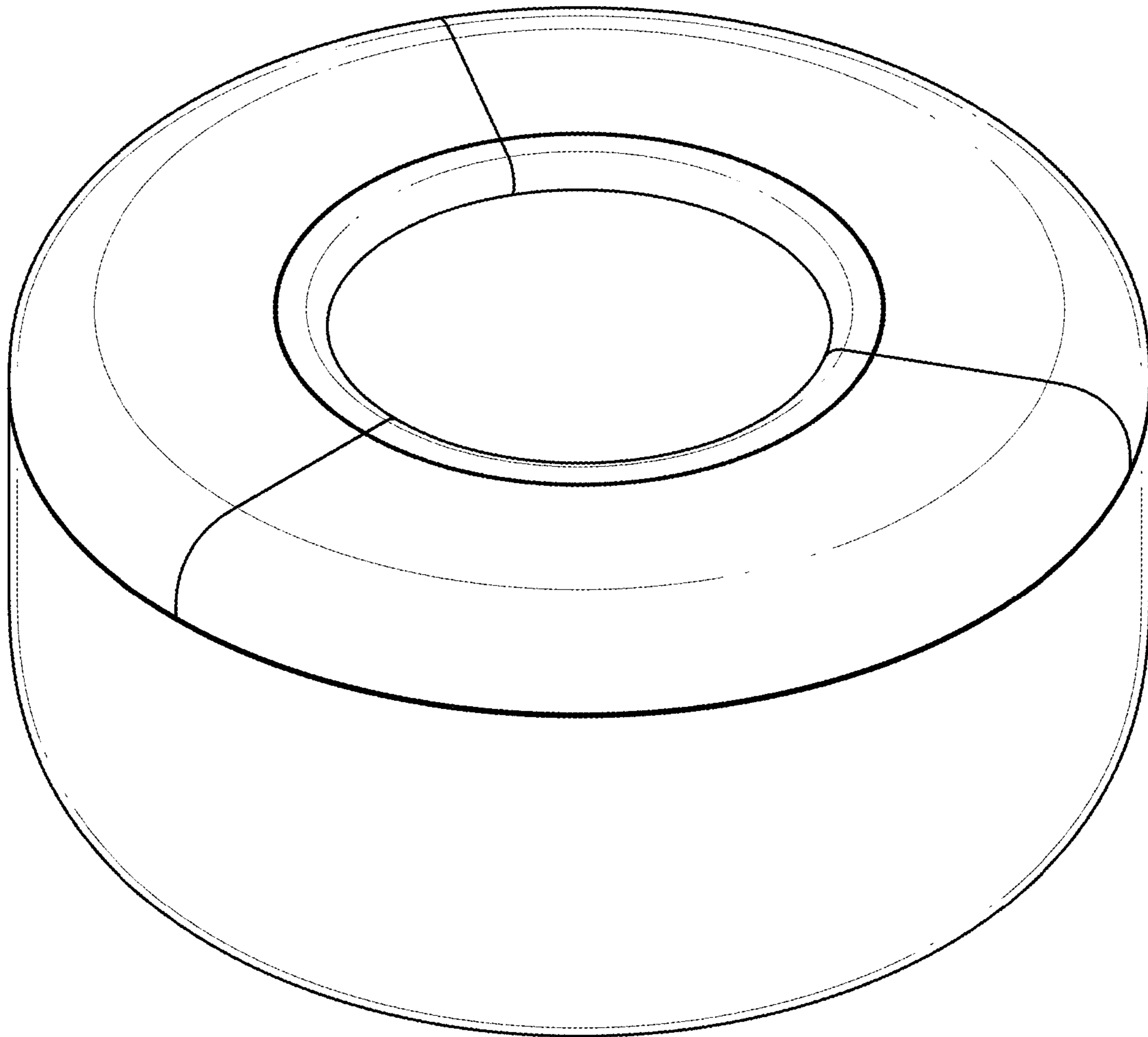


FIG. 1

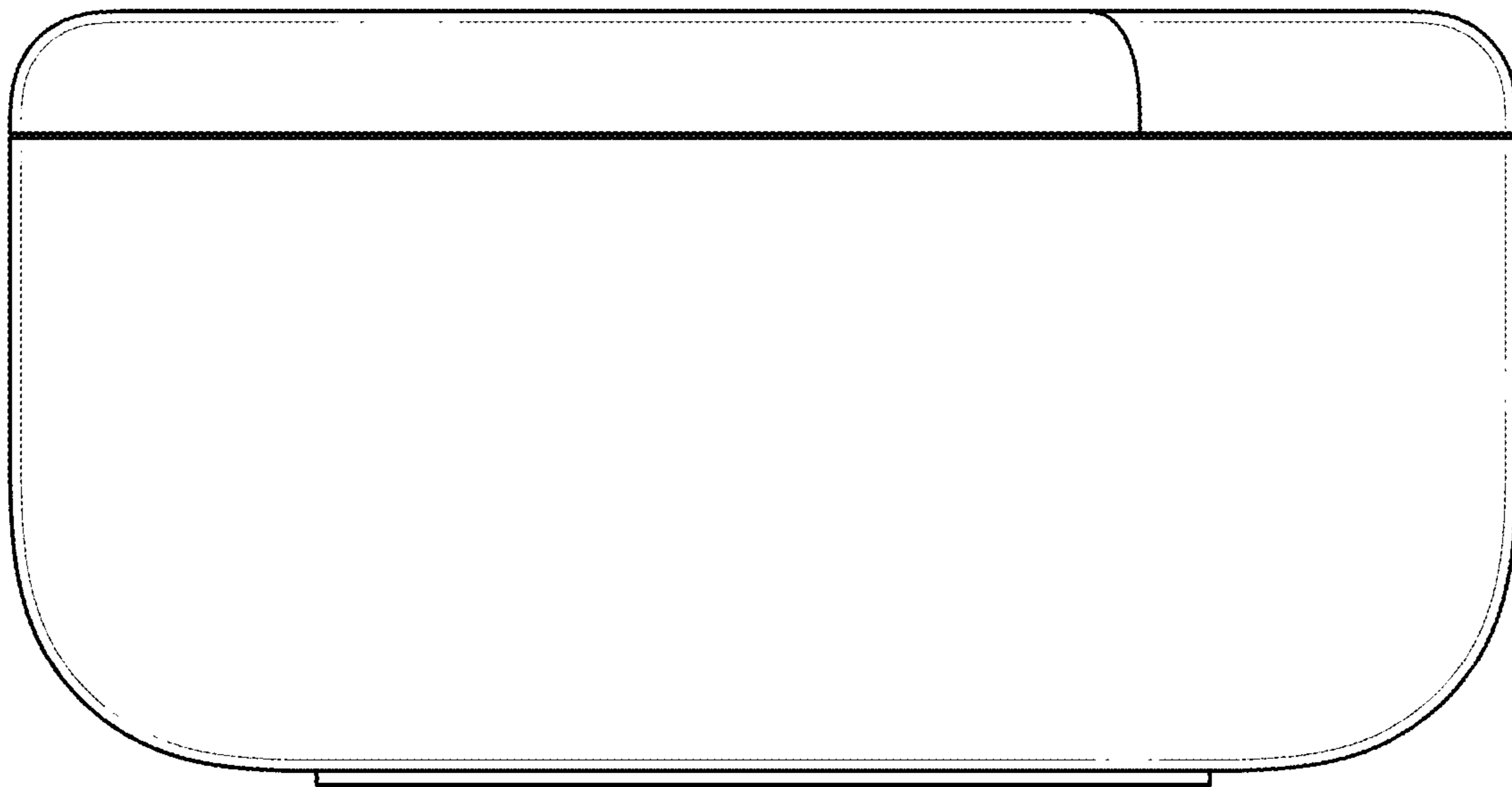


FIG. 2

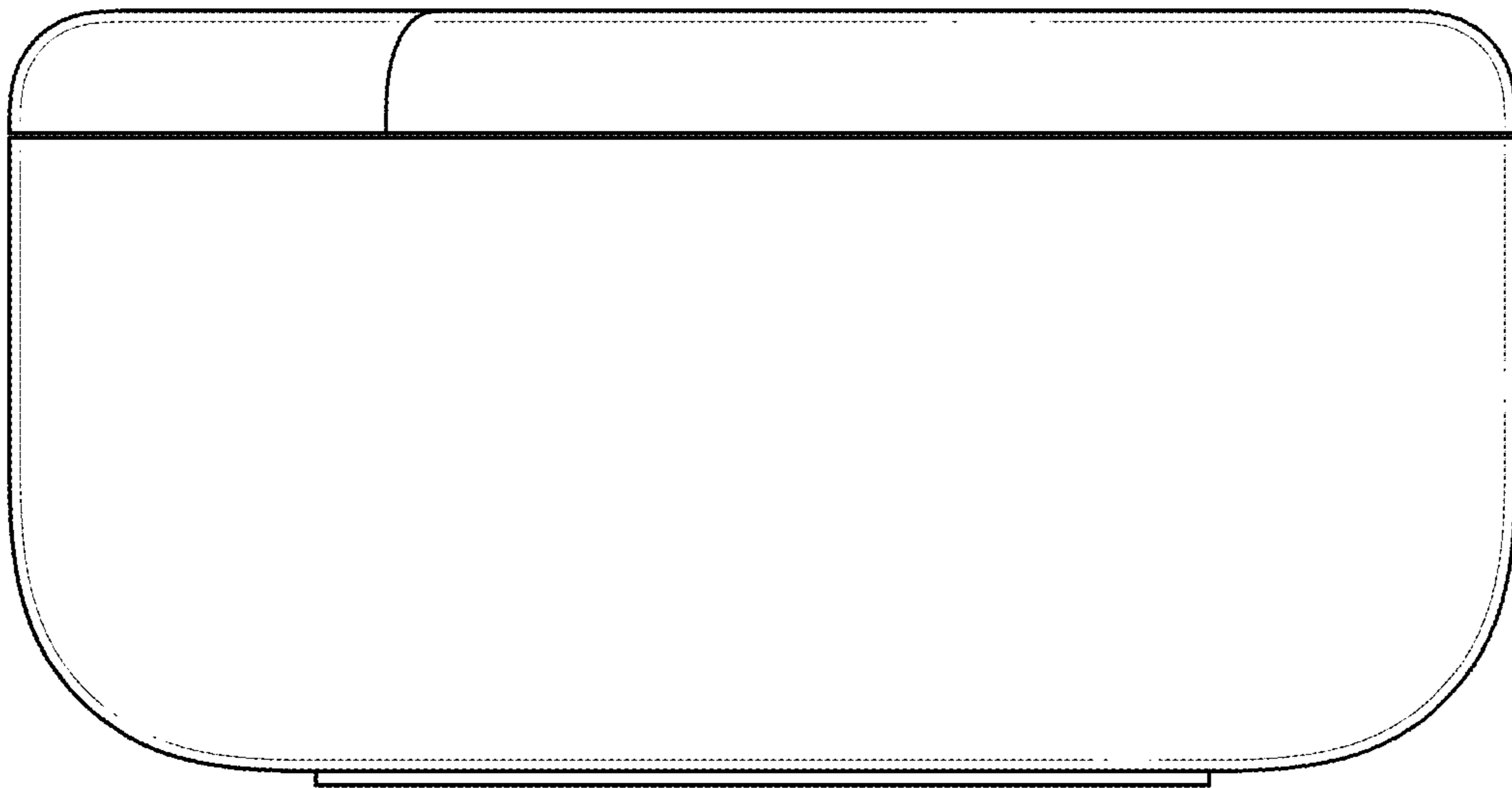


FIG. 3

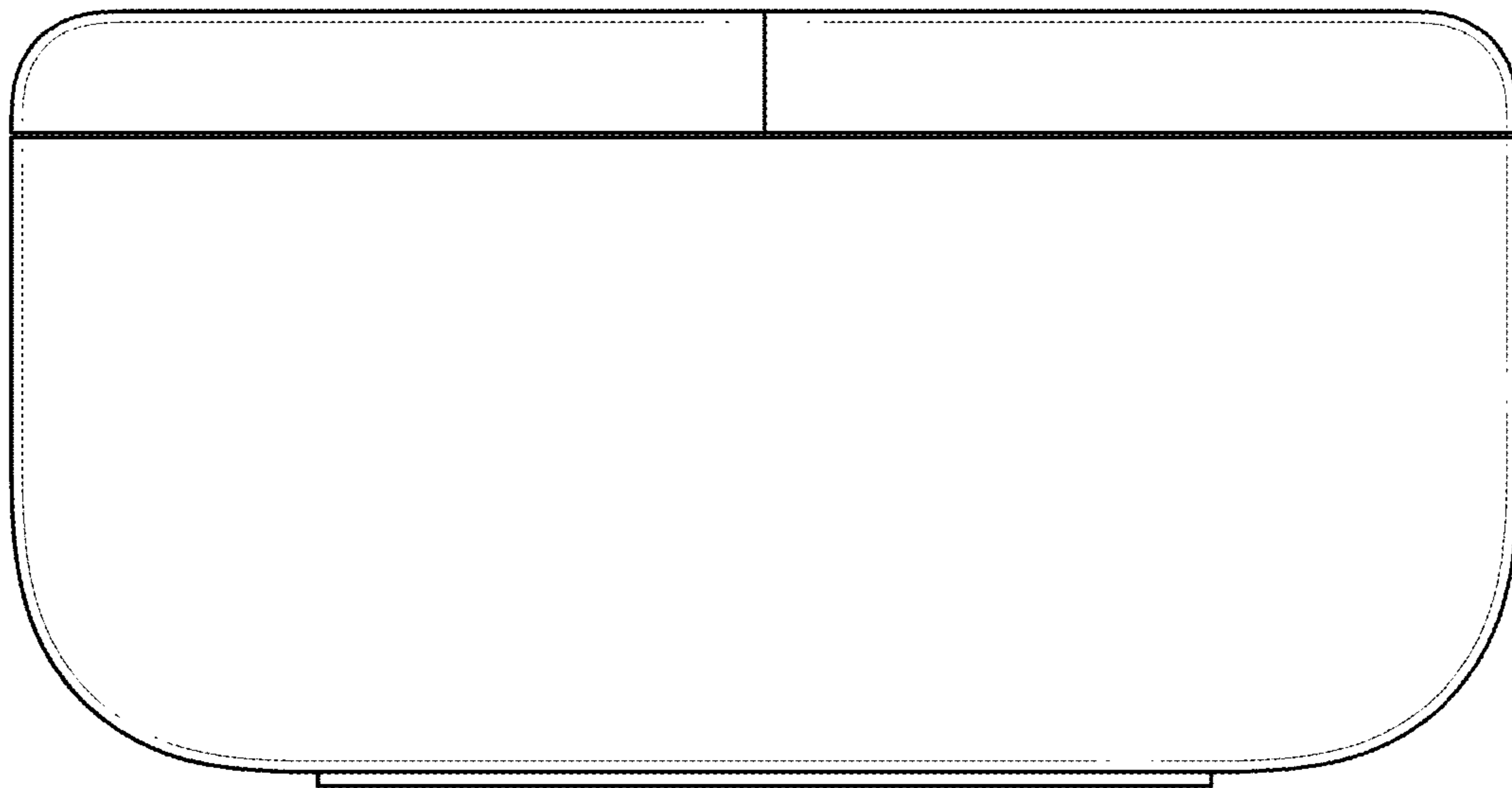


FIG. 4

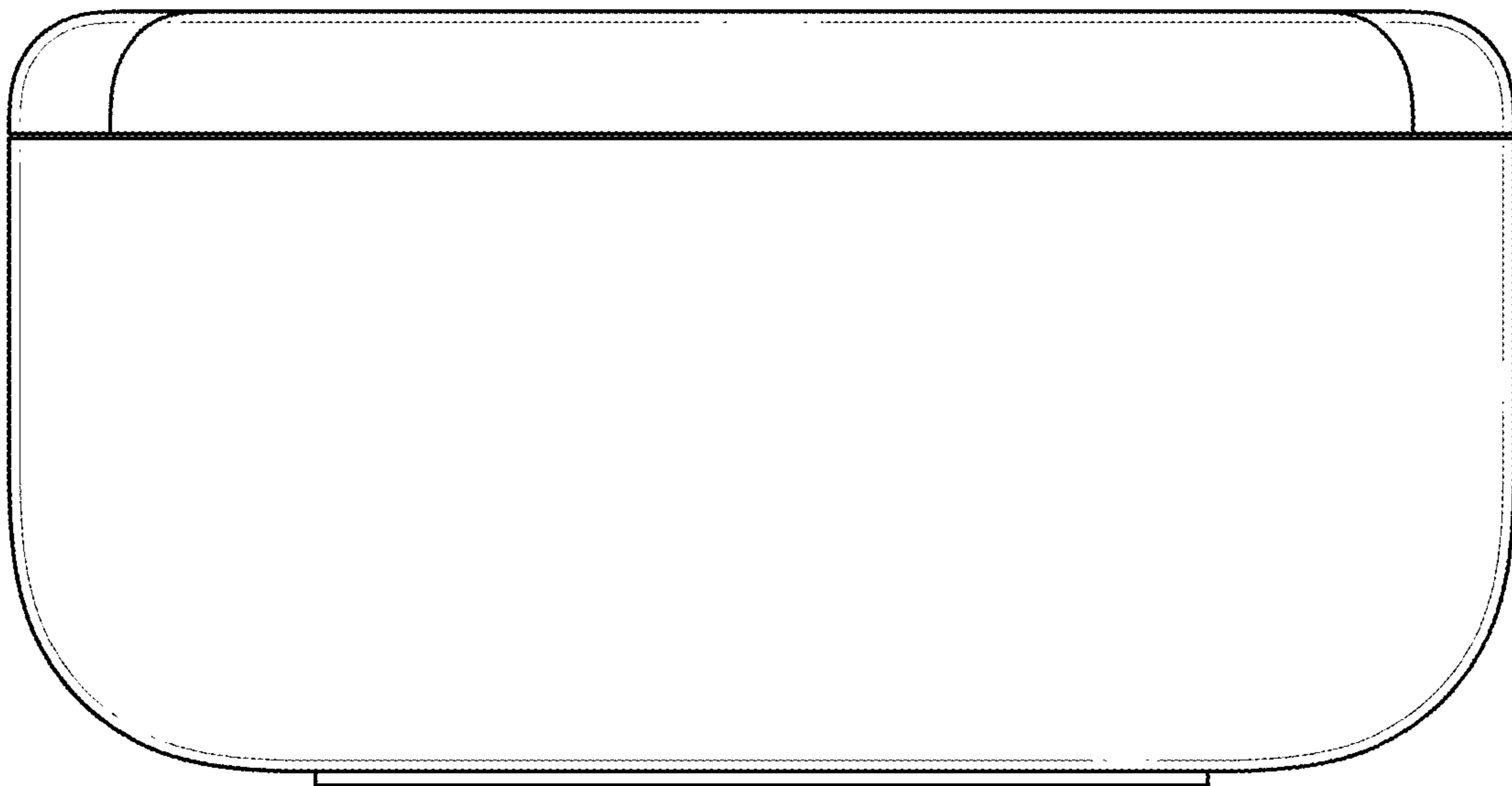


FIG. 5

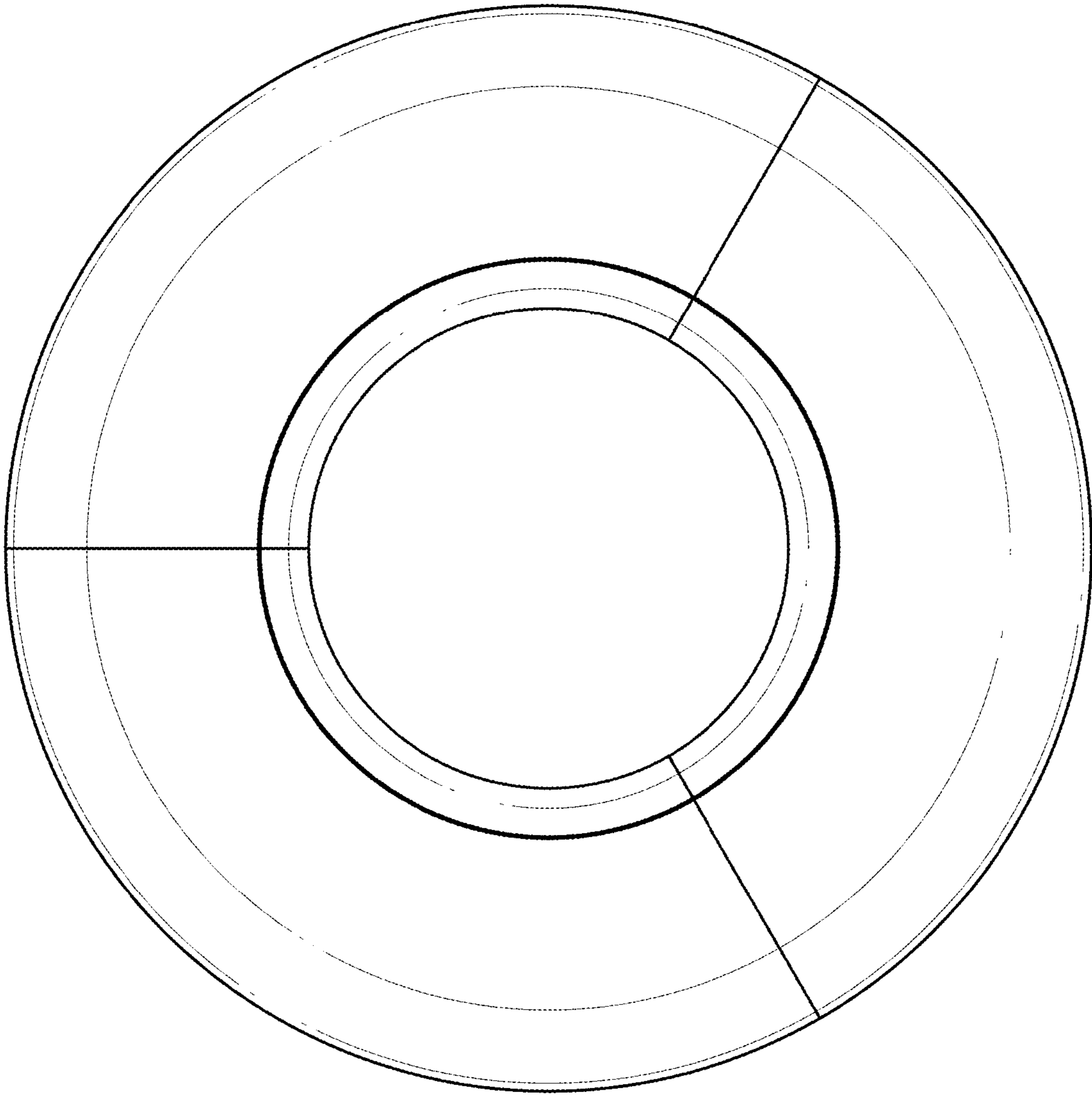


FIG. 6

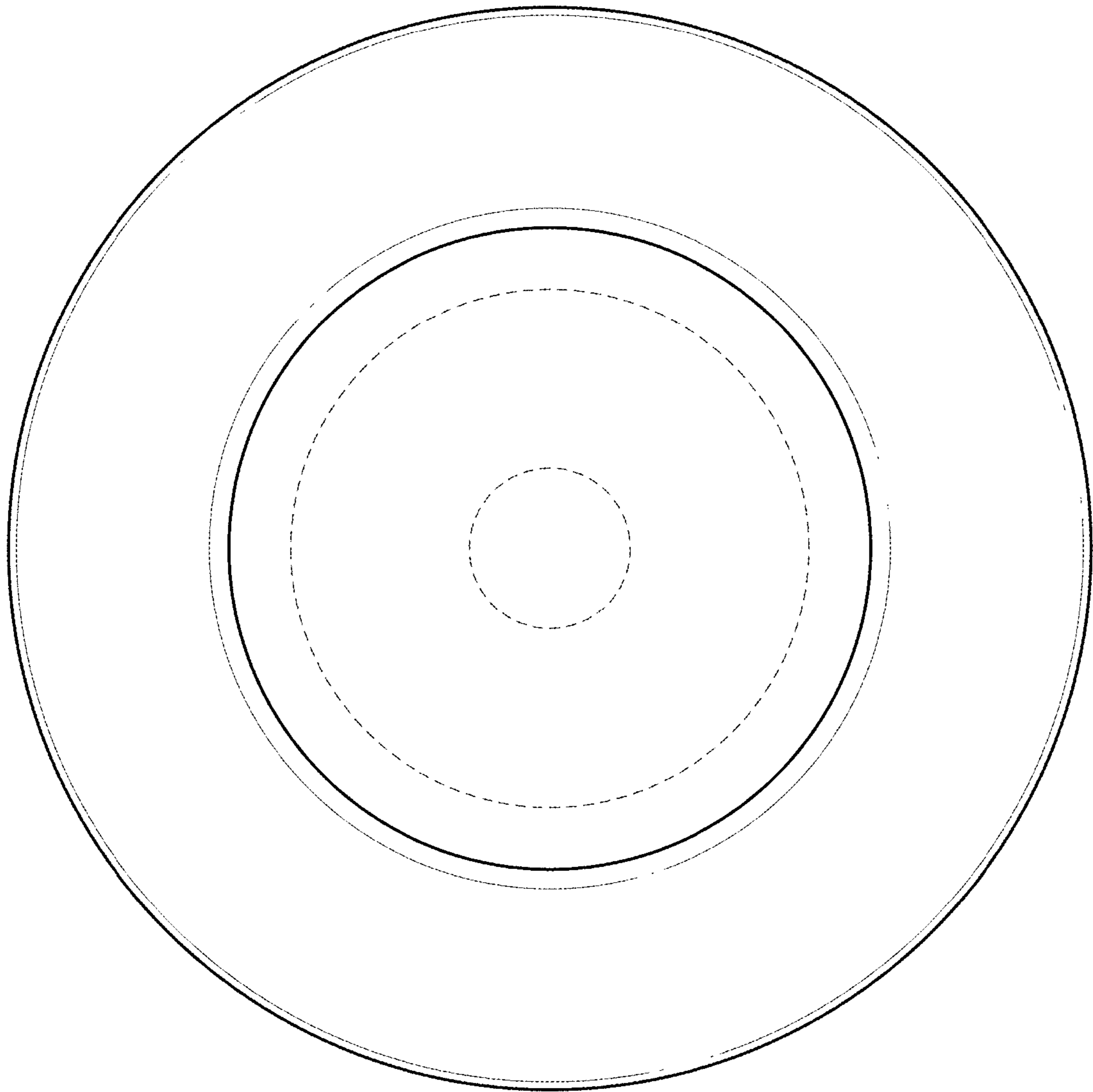


FIG. 7

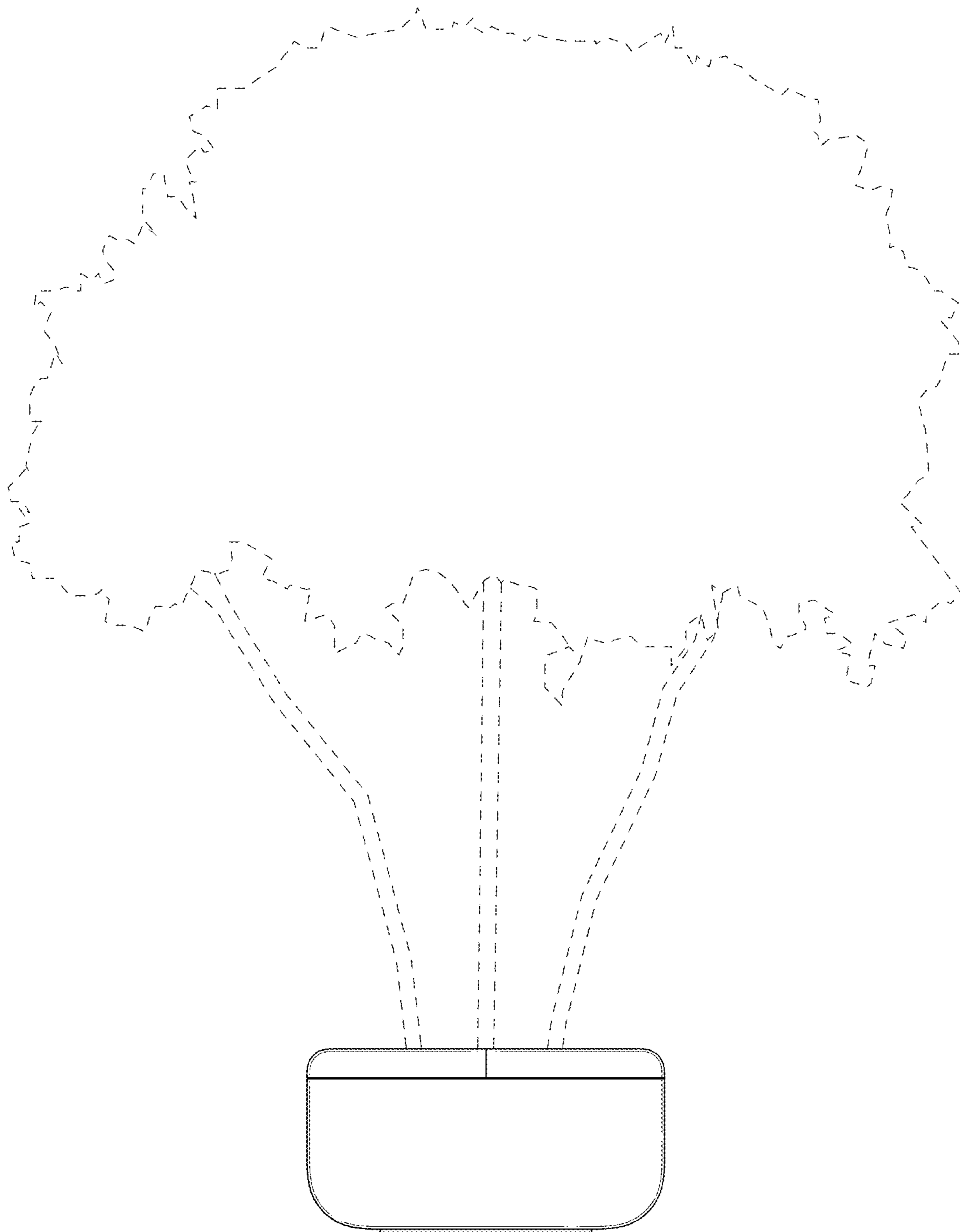


FIG. 8