

US00D769144S

(12) **United States Design Patent** (10) **Patent No.:** **US D769,144 S**  
**Dingus et al.** (45) **Date of Patent:** **\*\* Oct. 18, 2016**

(54) **HEAT DETECTOR**

D630,953 S \* 1/2011 Anderson ..... D10/57

(71) Applicants: **T Boyd Dingus**, Spring Valley, WI  
(US); **Brian Dingman**, Spring Valley,  
WI (US)

\* cited by examiner

*Primary Examiner* — George D Kirschbaum  
(74) *Attorney, Agent, or Firm* — Skinner and Associates;  
Joel D. Skinner

(72) Inventors: **T Boyd Dingus**, Spring Valley, WI  
(US); **Brian Dingman**, Spring Valley,  
WI (US)

(73) Assignee: **Mark L. Anderson**, Spring Valley, WI  
(US)

(57) **CLAIM**

The ornamental design for a heat detector, as shown and described.

(\*\*) Term: **14 Years**

(21) Appl. No.: **29/488,665**

**DESCRIPTION**

(22) Filed: **Apr. 22, 2014**

(51) **LOC (10) Cl.** ..... **10-05**

(52) **U.S. Cl.**  
USPC ..... **D10/106.2**

(58) **Field of Classification Search**  
USPC ..... D10/106.1, 106.2, 57  
See application file for complete search history.

FIG. 1 is a perspective view of a heat detector showing my new design. The broken lines depict unclaimed environmental subject matter.

FIG. 2 is a top view thereof.

FIG. 3 is a side view thereof.

FIG. 4 is an end view thereof; and,

FIG. 5 is a bottom view thereof.

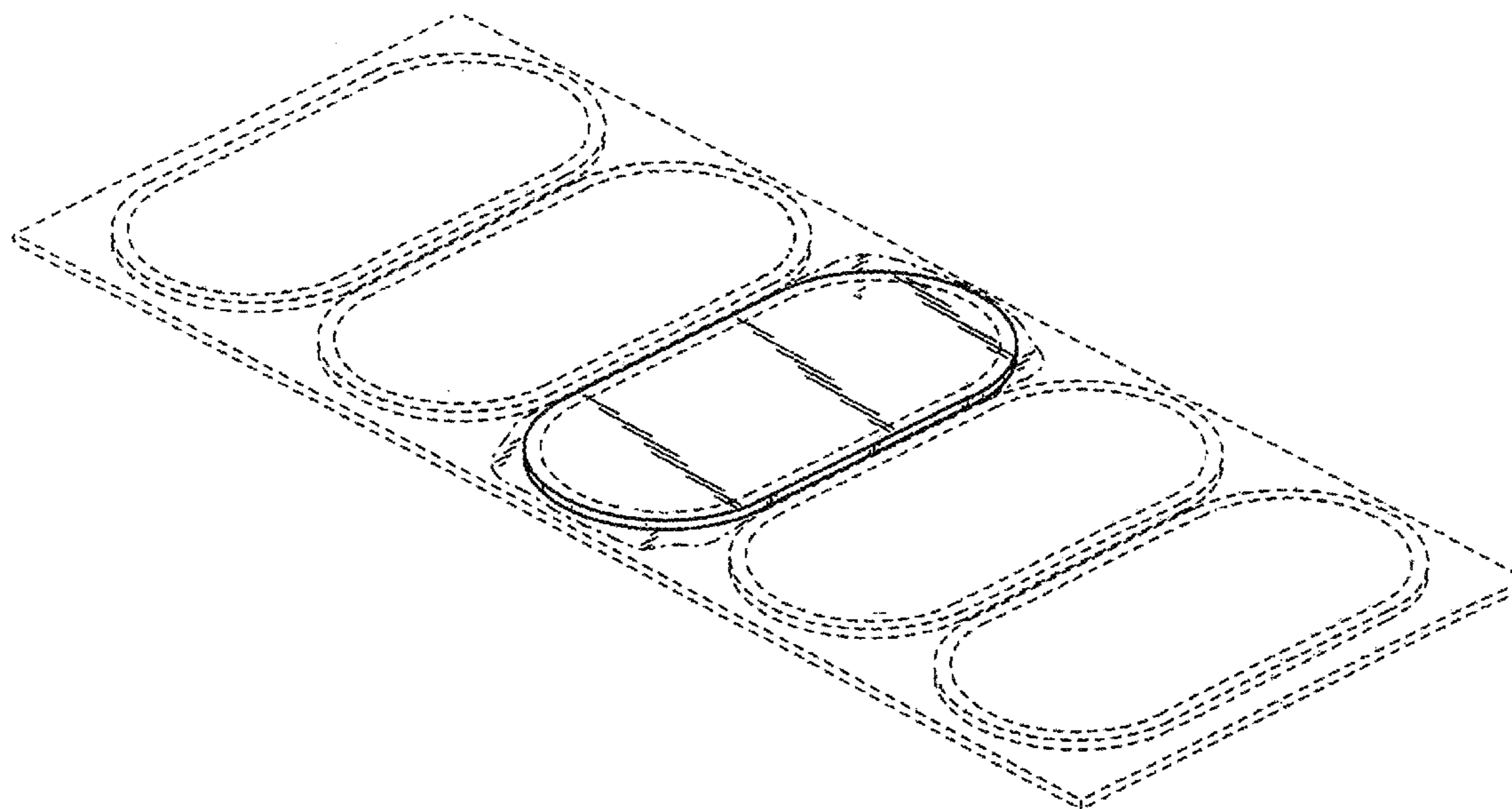
In the drawings, the broken line showing of elements of the heat detector, including the base depicts environmental subject matter and forms no part of the claim. The dot-dash-dot lines disclose the boundary between the central heat detector element and the base.

(56) **References Cited**

**U.S. PATENT DOCUMENTS**

- 5,712,767 A \* 1/1998 Koizumi ..... H01L 23/04  
257/E23.17
- D567,120 S \* 4/2008 Merchant ..... D10/57
- D618,568 S \* 6/2010 Anderson ..... D10/57

**1 Claim, 4 Drawing Sheets**



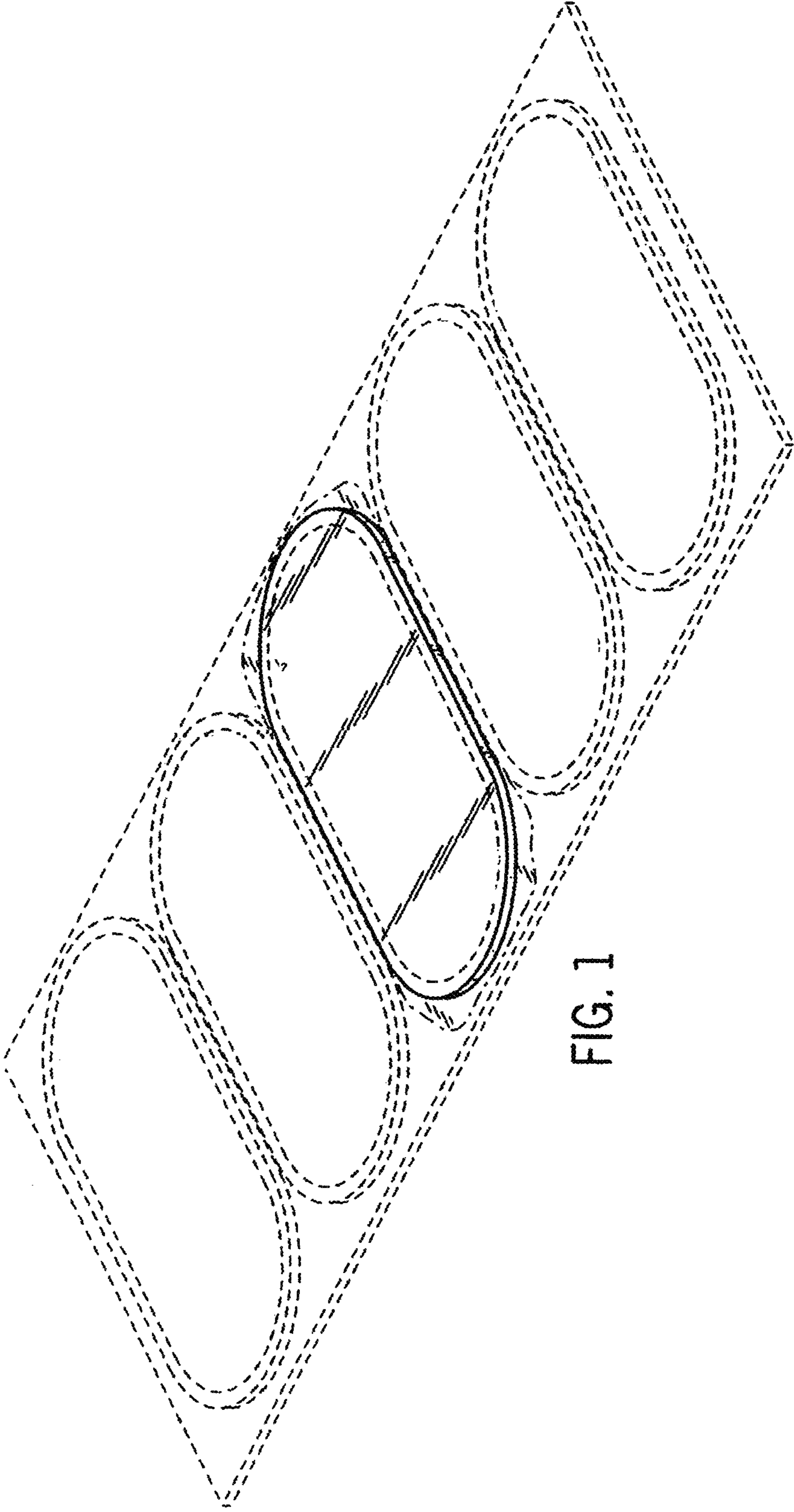


FIG. 1

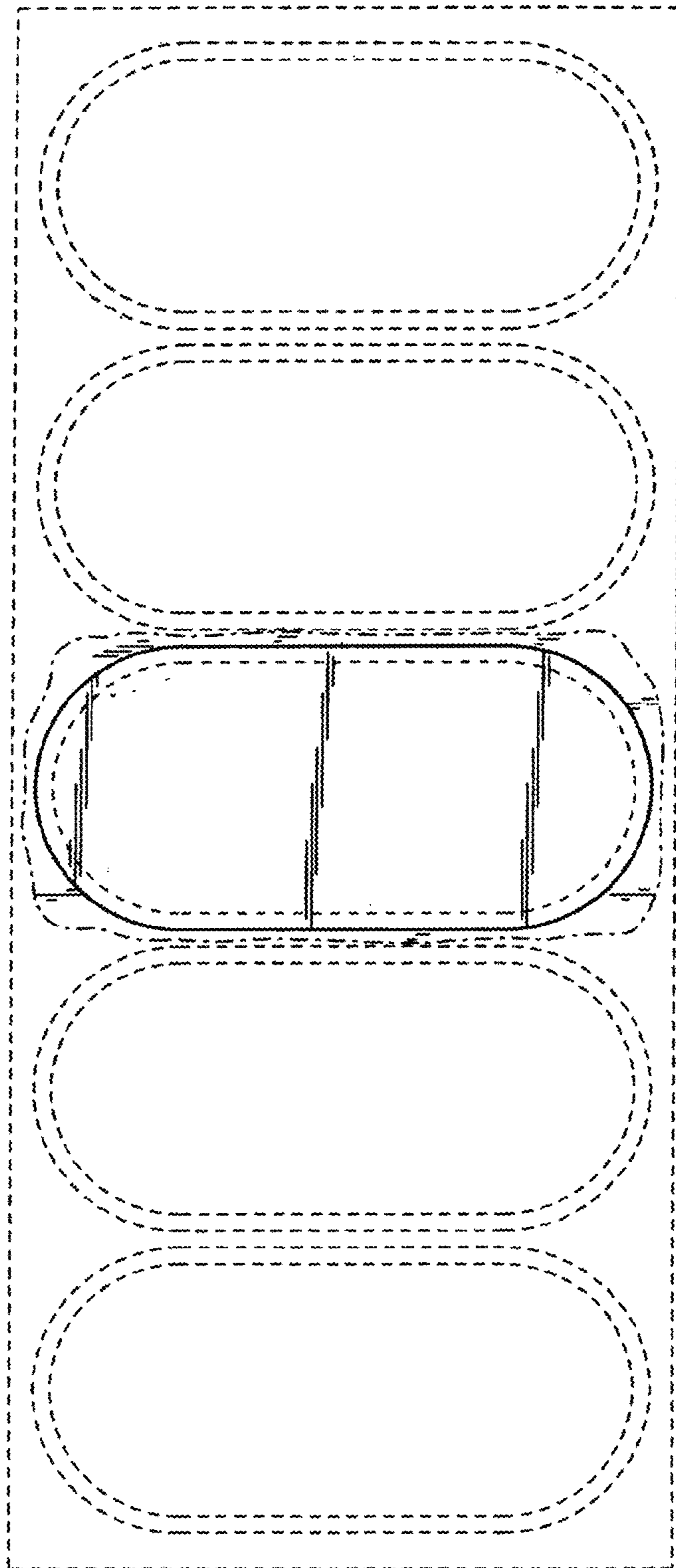


FIG. 2

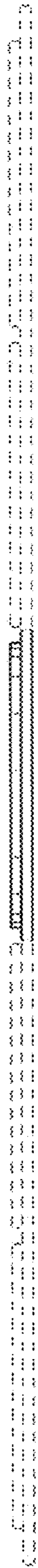


FIG. 3



FIG. 4

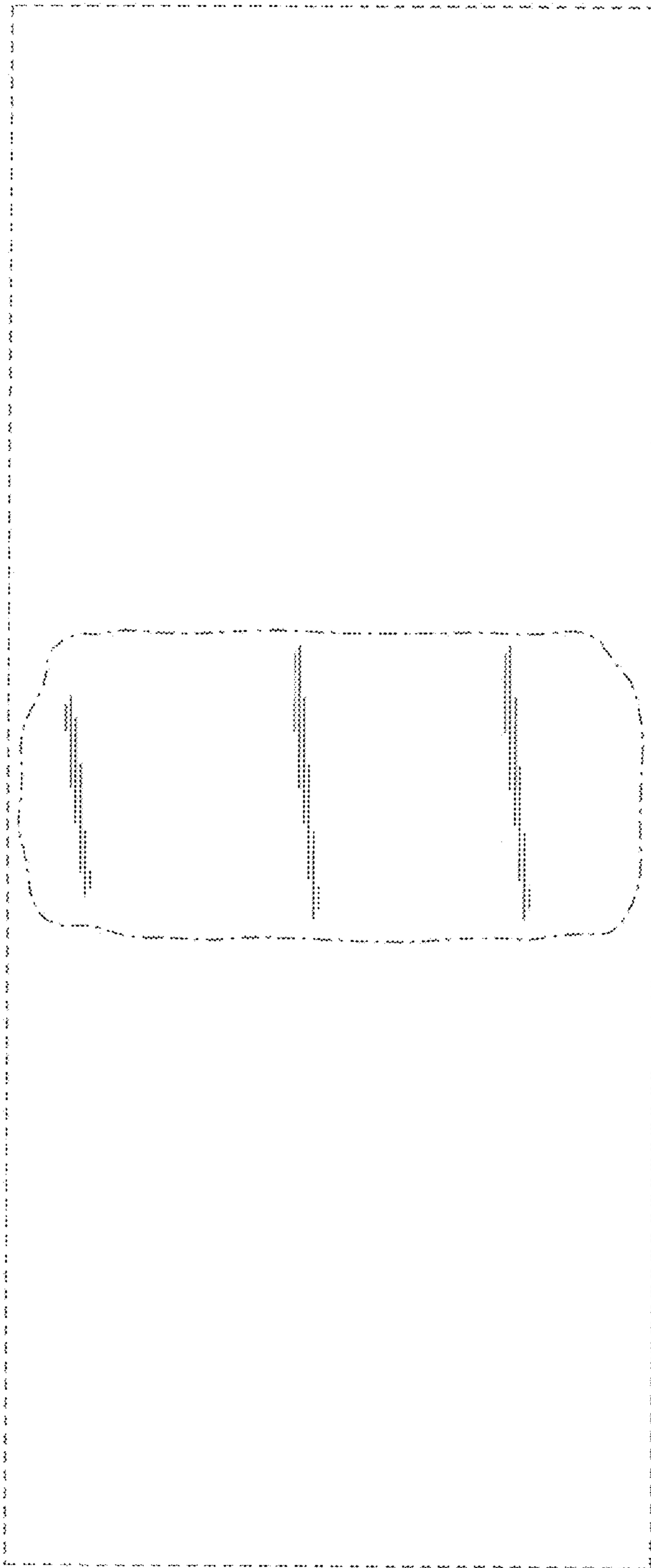


FIG. 5