

US00D769143S

(12) **United States Design Patent**
Warren

(10) **Patent No.:** **US D769,143 S**
(45) **Date of Patent:** **** Oct. 18, 2016**

(54) **WALLET PROXIMITY ALARM BASE AND REMOTE**

(71) Applicant: **Ray Warren**, Jefferson, OR (US)

(72) Inventor: **Ray Warren**, Jefferson, OR (US)

(**) Term: **15 Years**

(21) Appl. No.: **29/541,394**

(22) Filed: **Oct. 2, 2015**

(51) **LOC (10) Cl.** **10-05**

(52) **U.S. Cl.**

USPC **D10/106.1**; D10/106.6

(58) **Field of Classification Search**

USPC D10/104.1, 106.1–106.9, 106.94;
D16/203; 340/571, 588, 628–630

CPC G08B 5/36; G08B 17/06; G08B 17/10;
G08B 5/38; G08B 15/00; G08B 15/001

See application file for complete search history.

(56) **References Cited**

U.S. PATENT DOCUMENTS

3,930,249	A	12/1975	Steck et al.	
5,034,724	A *	7/1991	Tone	G08B 21/24 340/571
D333,796	S *	3/1993	Bannon	D10/106.5
5,412,373	A	5/1995	Wajda	
5,790,027	A *	8/1998	Chern	A45C 11/184 340/571
D419,476	S *	1/2000	Baker	D10/106.5
D433,645	S *	11/2000	Hanson	D10/106.1

D438,132	S *	2/2001	Givings	D10/104.1
6,686,840	B1	2/2004	Hammond et al.	
D487,707	S	3/2004	Hurion	
6,870,483	B1	3/2005	Davis	
6,919,805	B2	7/2005	Song et al.	
D602,388	S *	10/2009	Killo	D10/106.1
7,779,766	B2 *	8/2010	Mullen	G08B 15/02 340/571
D656,049	S *	3/2012	Preyear	D10/104.1
8,179,255	B1	5/2012	Lamore et al.	
8,212,675	B2	7/2012	Page	
2007/0222594	A1	9/2007	Kohn	

* cited by examiner

Primary Examiner — Sandra Morris

(57) **CLAIM**

The ornamental design for a wallet proximity alarm base and remote, as shown and described.

DESCRIPTION

FIG. 1 is a front view of a wallet proximity alarm base and remote showing my new design;

FIG. 2 is a rear view of the wallet proximity alarm base and remote;

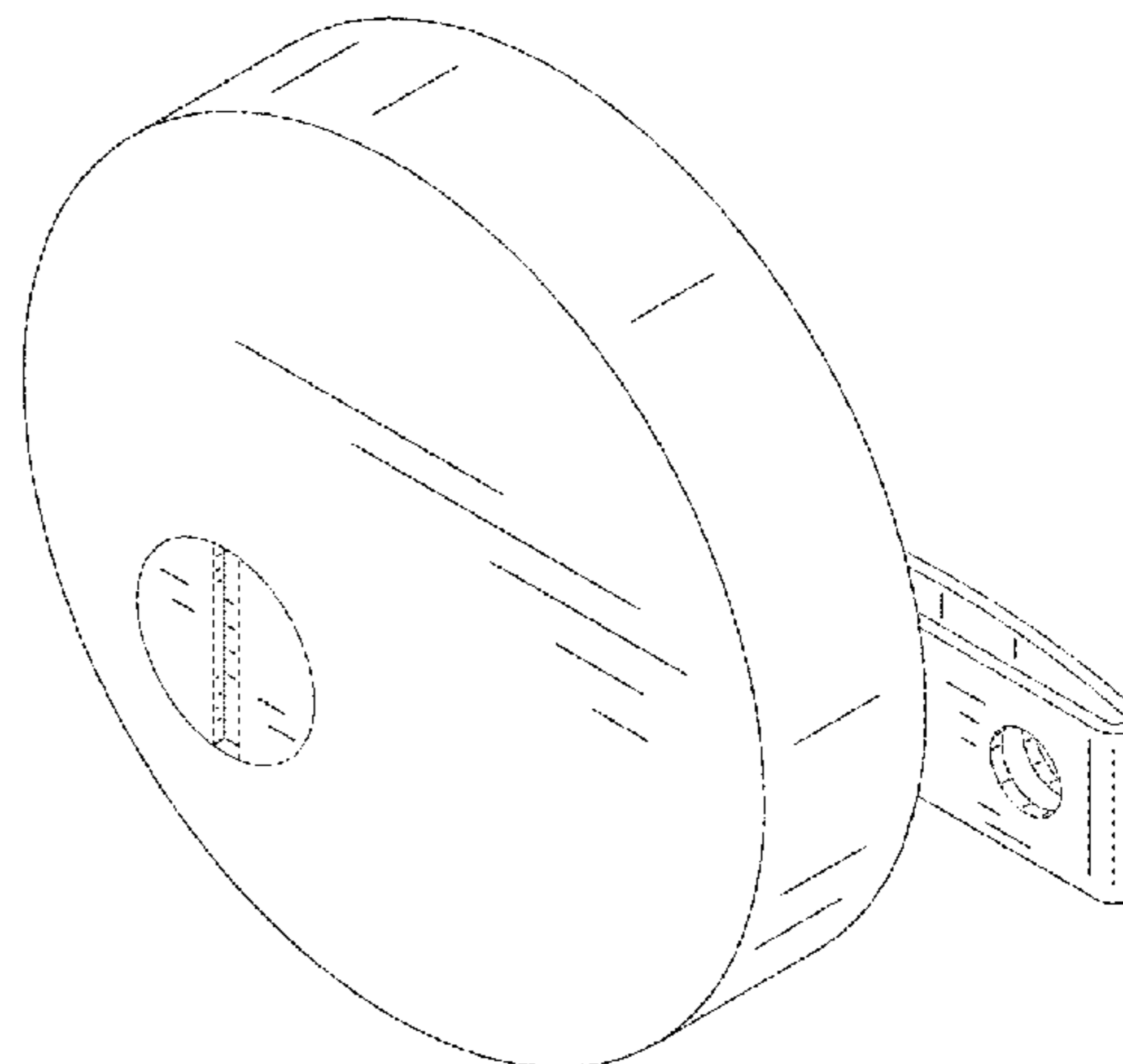
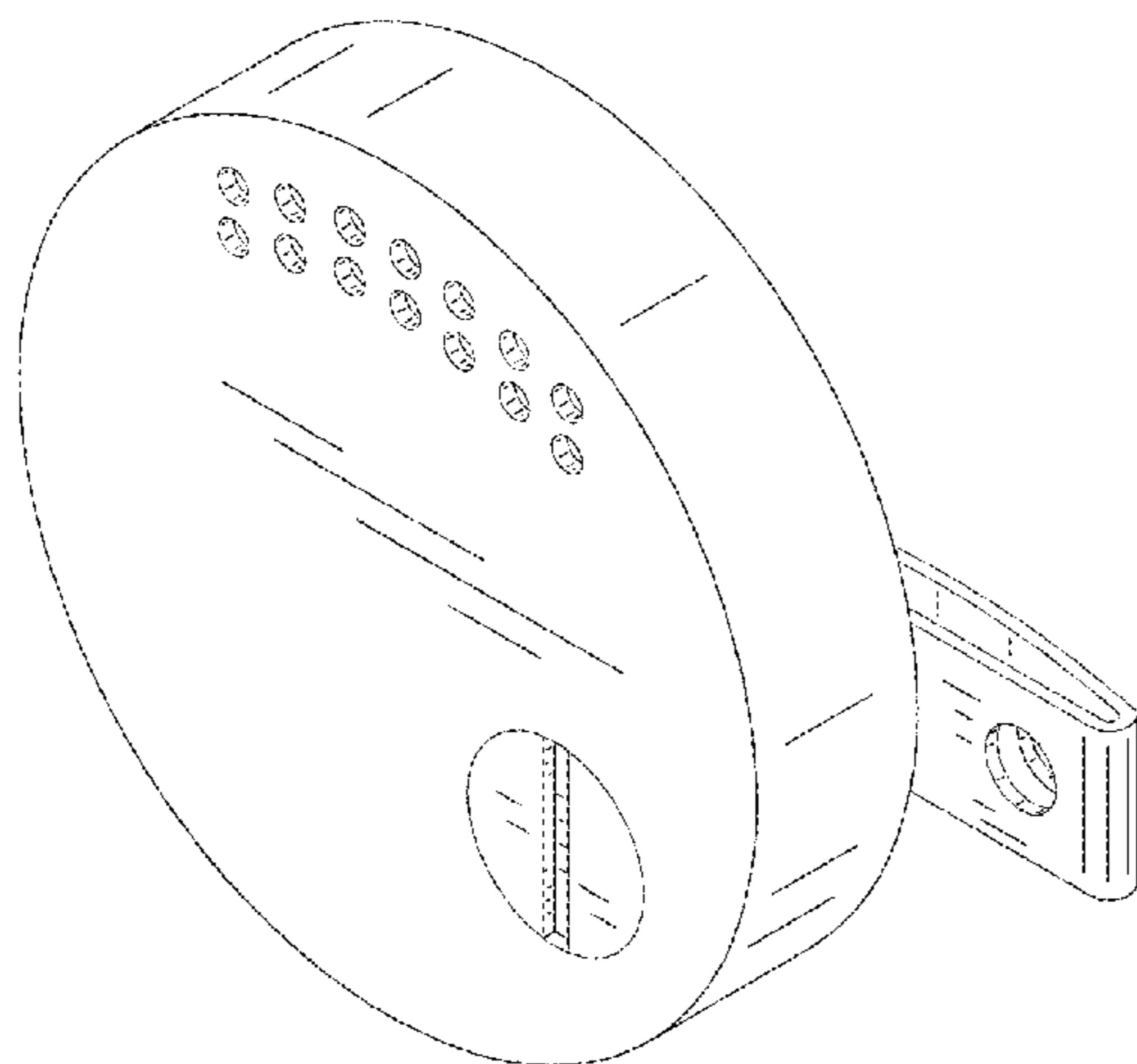
FIG. 3 is a left side view of the wallet proximity alarm base and remote;

FIG. 4 is a right side view of the wallet proximity alarm base and remote;

FIG. 5 is a top view of the wallet proximity alarm base and remote, a bottom view being a mirror image thereof; and,

FIG. 6 is a top front side perspective view of the wallet proximity alarm base and remote.

1 Claim, 5 Drawing Sheets



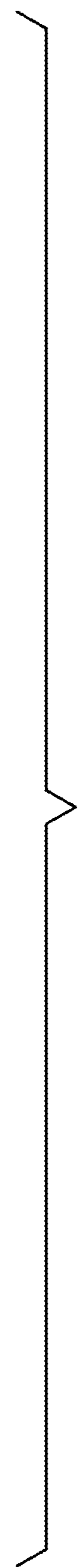
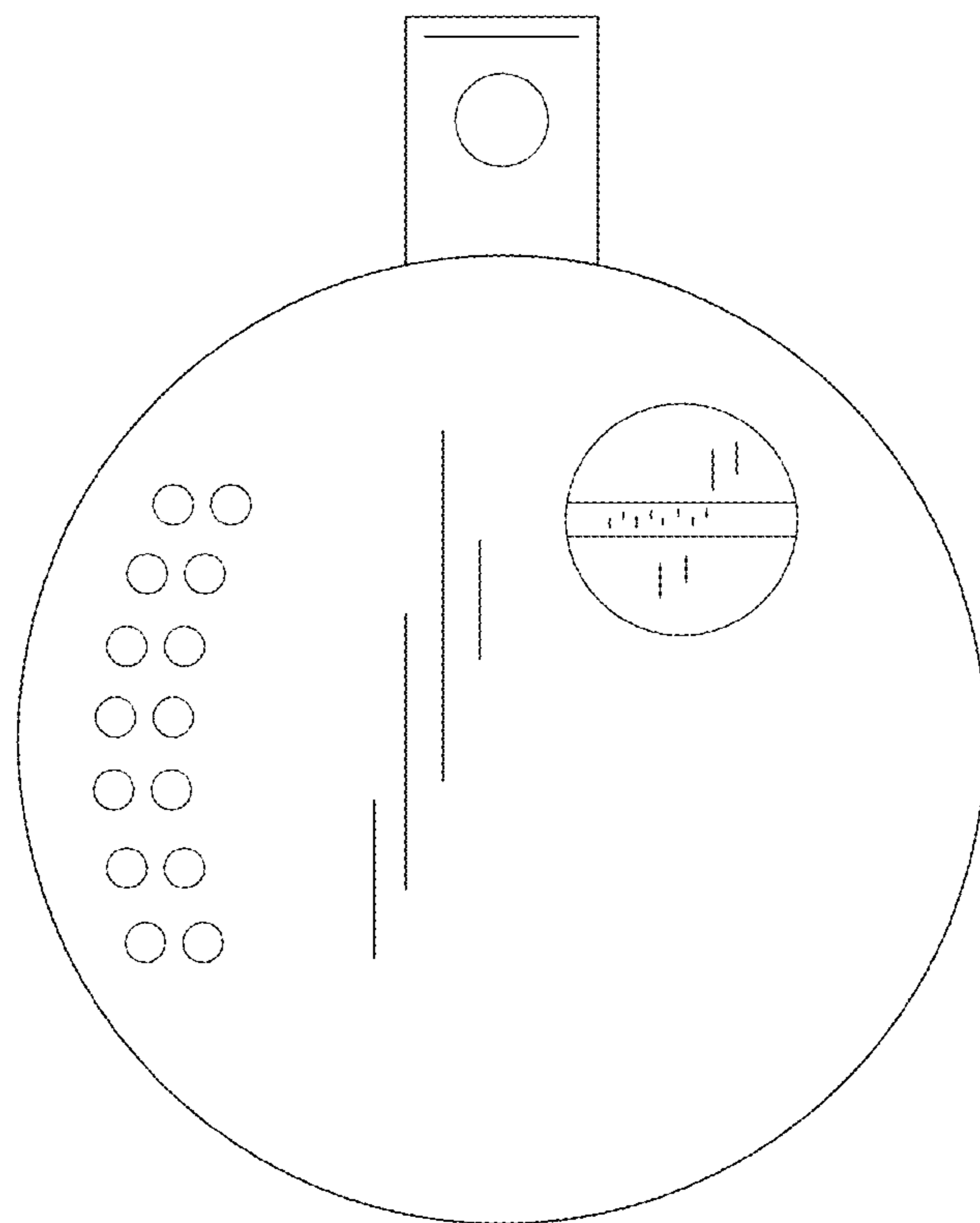
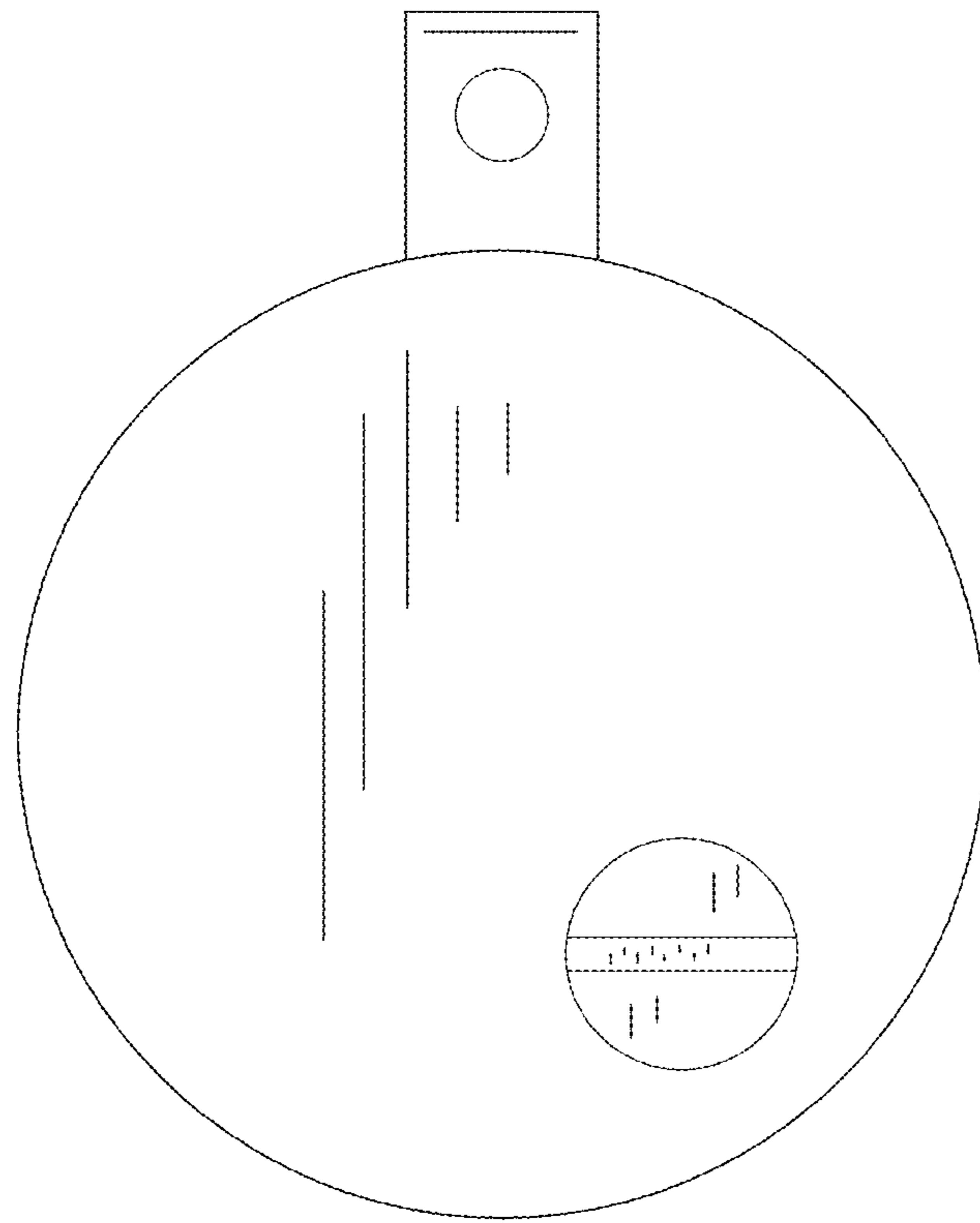


FIG. 1

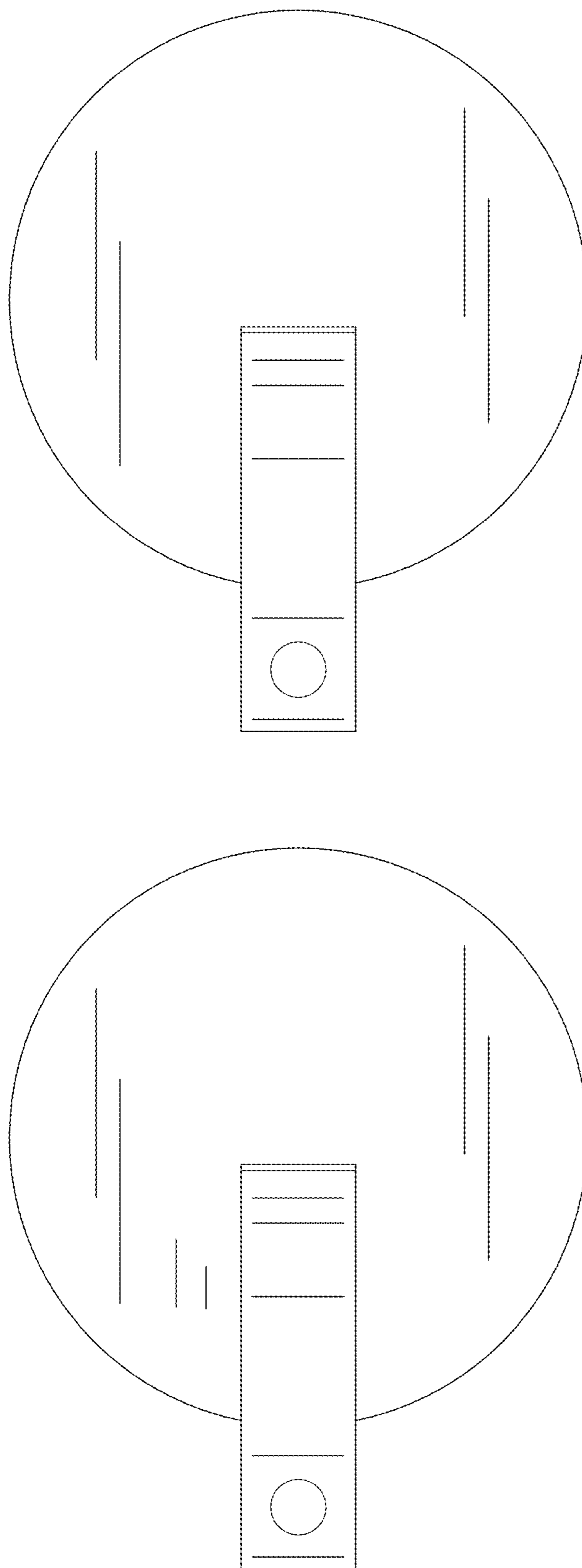


FIG. 2

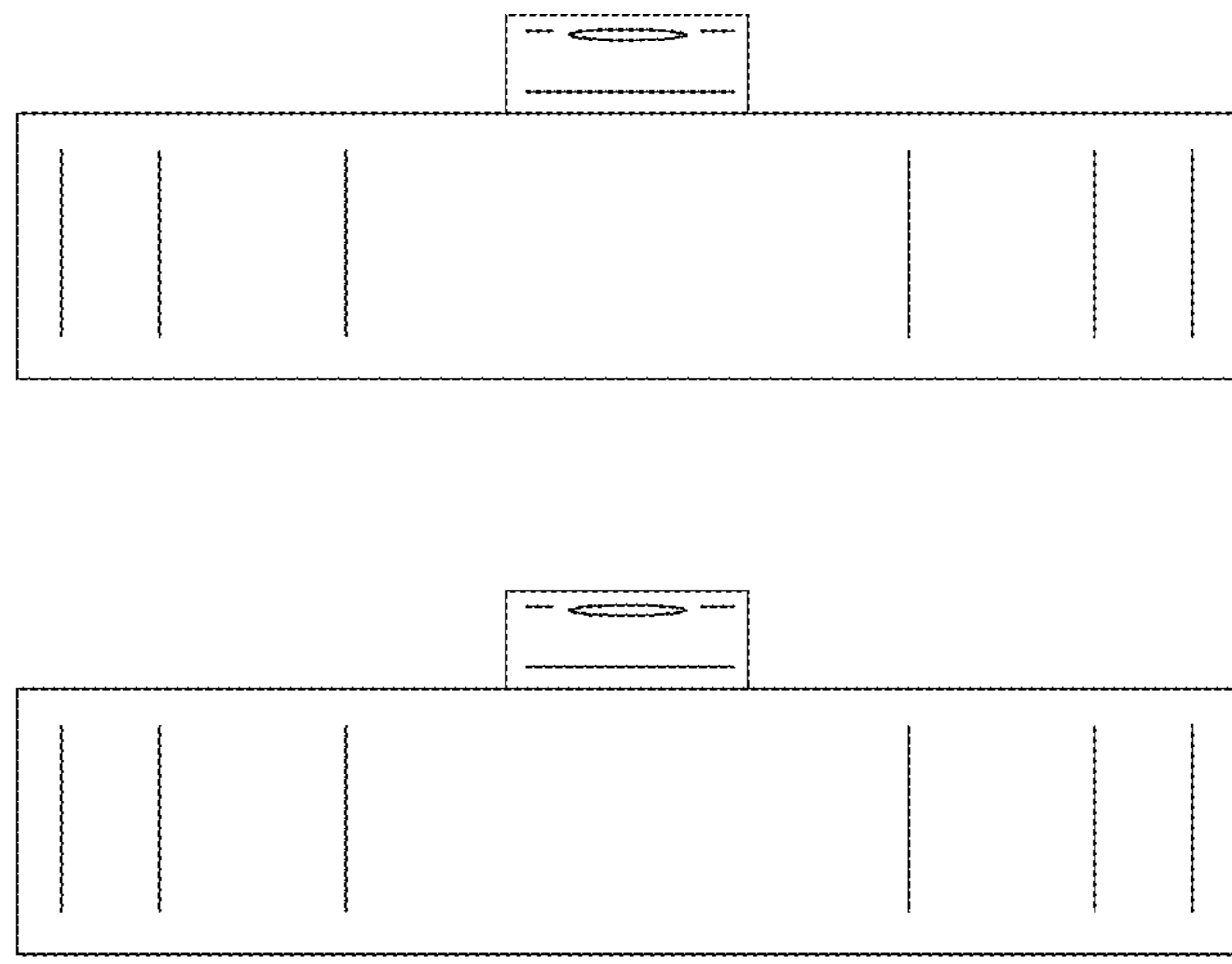


FIG. 4

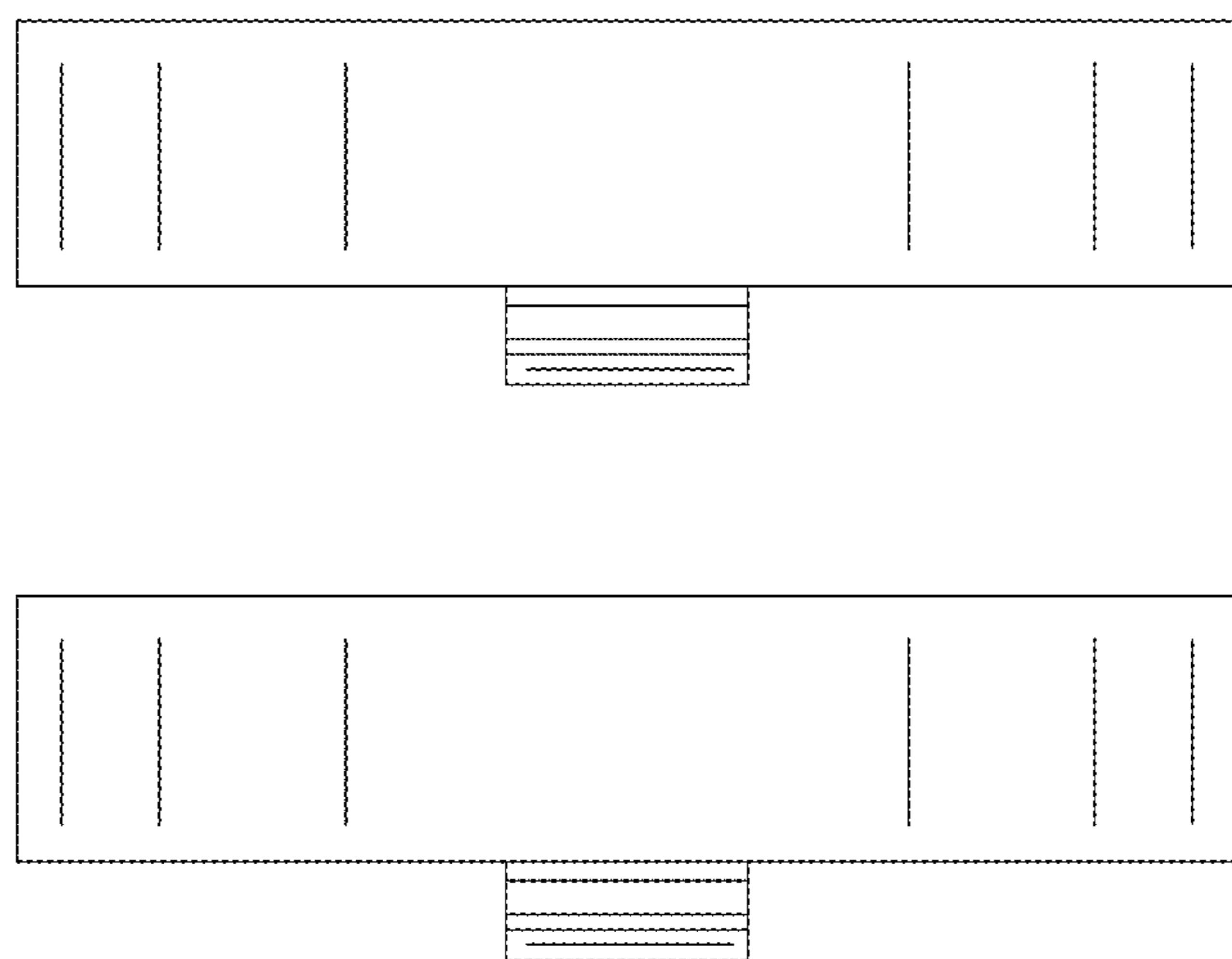


FIG. 3

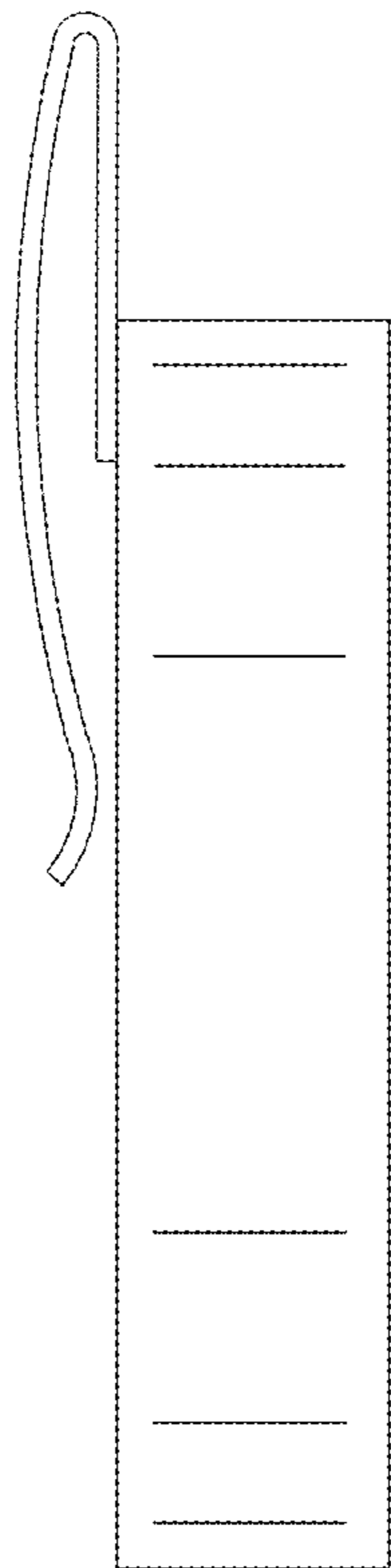
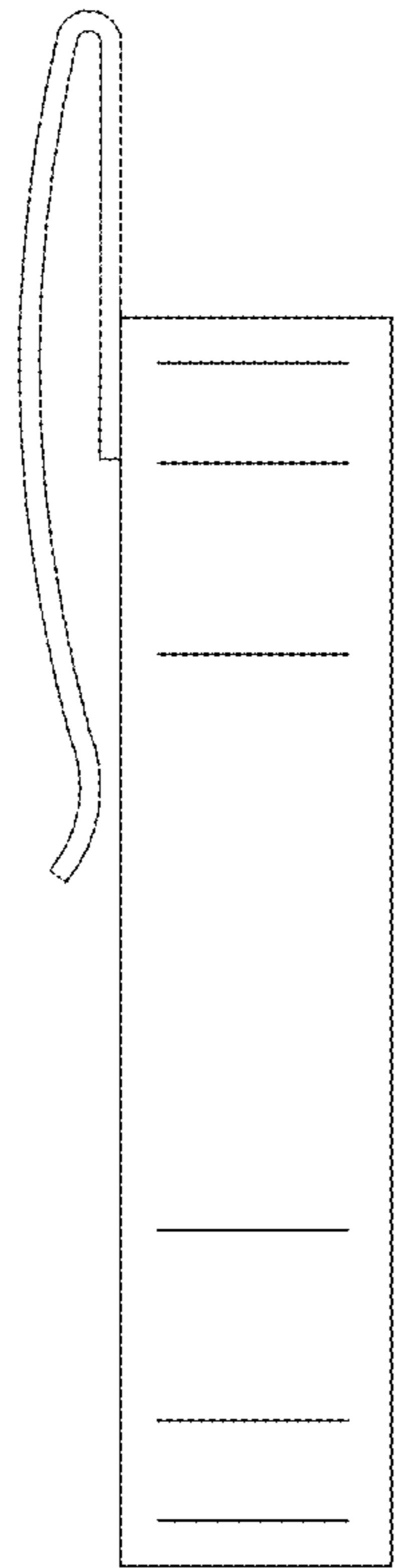


FIG. 5

