



US00D769142S

(12) **United States Design Patent**
Arroyo

(10) **Patent No.:** **US D769,142 S**
(45) **Date of Patent:** **** Oct. 18, 2016**

- (54) **CHILD ALERT DEVICE**
- (71) Applicant: **RO + ML INC.**, Miami, FL (US)
- (72) Inventor: **Roberto Arroyo**, Miami, FL (US)
- (73) Assignee: **RO + ML, Inc.**, Miami, FL (US)
- (**) Term: **15 Years**
- (21) Appl. No.: **29/548,394**
- (22) Filed: **Dec. 14, 2015**
- (51) **LOC (10) Cl.** **10-05**
- (52) **U.S. Cl.**
USPC **D10/104.2**
- (58) **Field of Classification Search**
USPC D10/104.1, 104.2; D26/97, 26
CPC B60Q 5/001
See application file for complete search history.

- D683,888 S * 6/2013 Johnson D26/97
- 8,847,747 B2 * 9/2014 Bloukos B60Q 5/001
340/457
- D740,707 S * 10/2015 Daniel D10/104.1

* cited by examiner

Primary Examiner — George D Kirschbaum
(74) *Attorney, Agent, or Firm* — Christian Sanchelima;
Jesus Sanchelima

(57) **CLAIM**

The ornamental design for child alert device, as shown and described.

DESCRIPTION

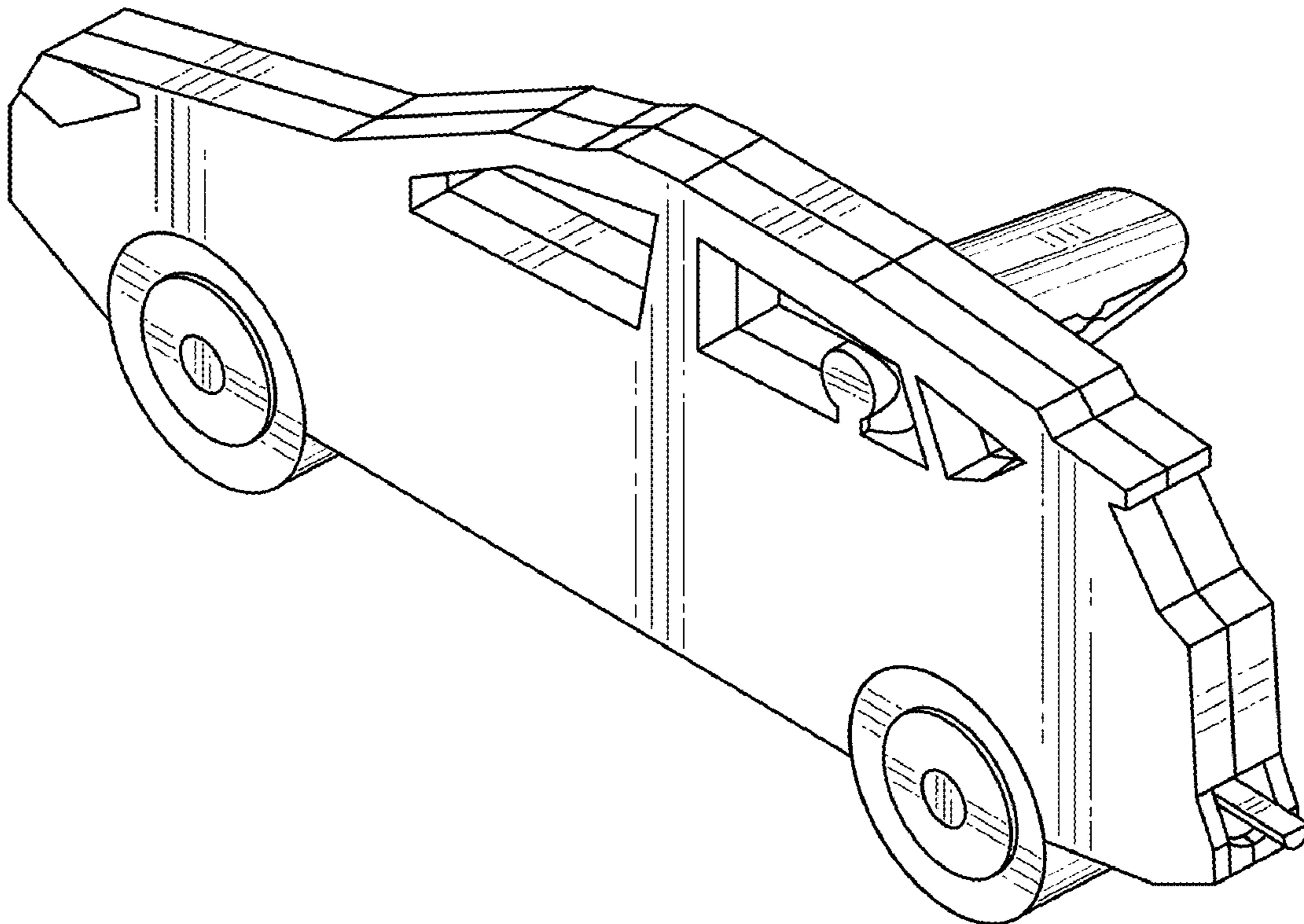
FIG. 1 is a top isometric view of a child alert device showing my new design;
FIG. 2 is a front elevational view thereof;
FIG. 3 is a top plan view thereof;
FIG. 4 is a right side elevational view thereof; and,
FIG. 5 is a rear elevational view thereof.

(56) **References Cited**

U.S. PATENT DOCUMENTS

- D436,877 S * 1/2001 Brennan D10/104.1

1 Claim, 3 Drawing Sheets



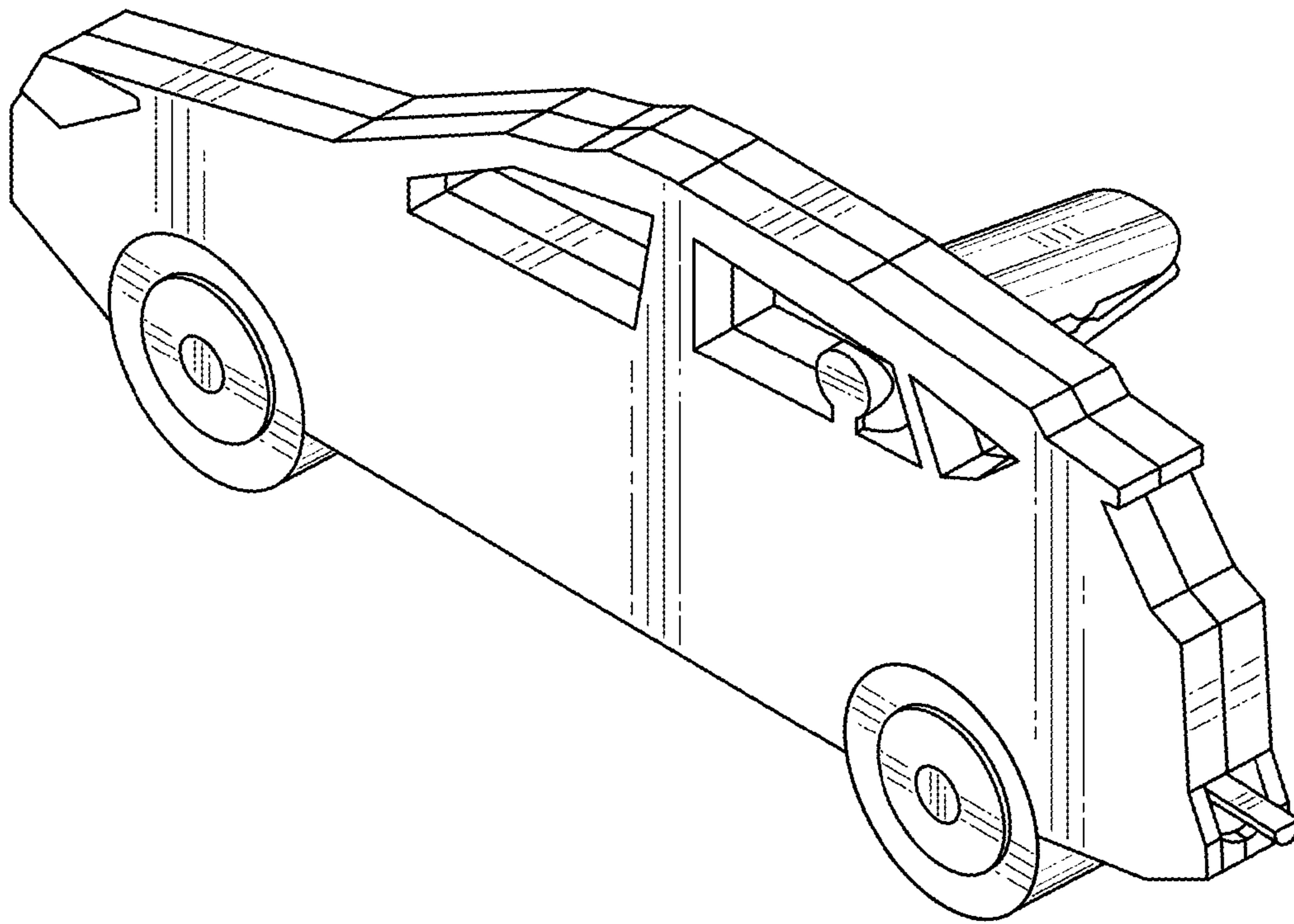


FIG. 1

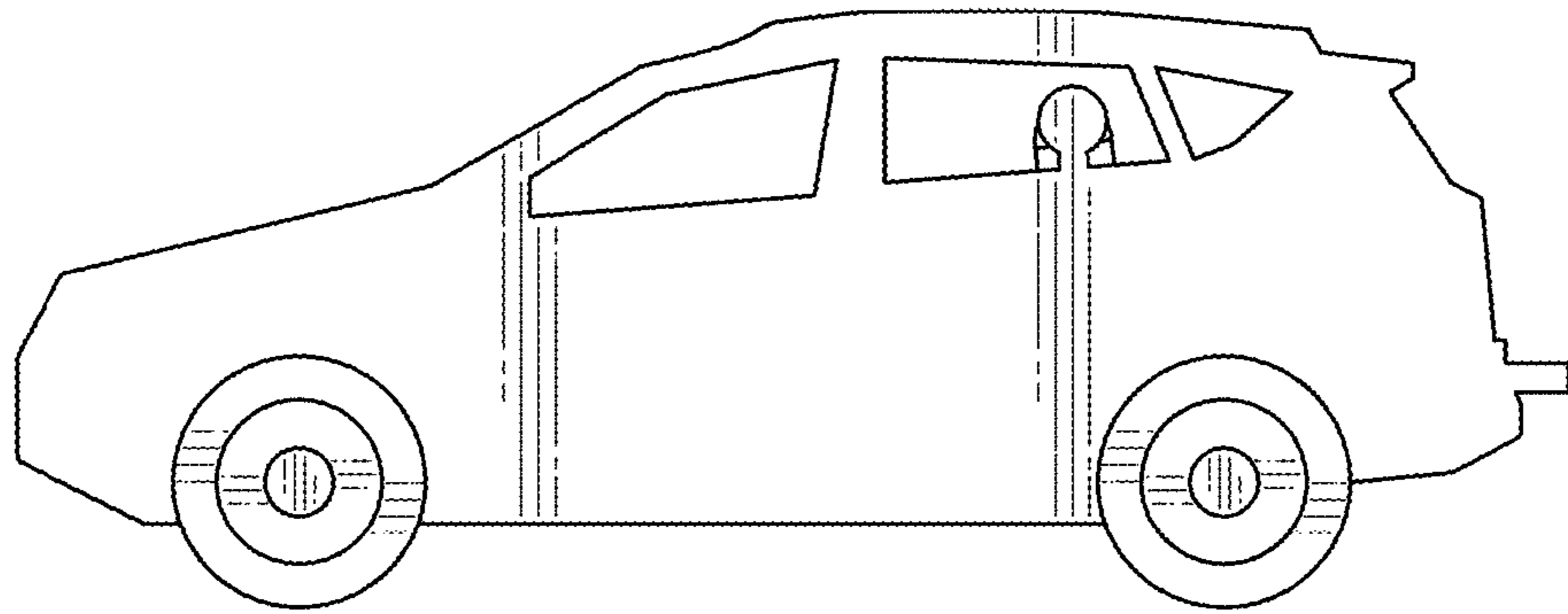


FIG. 2

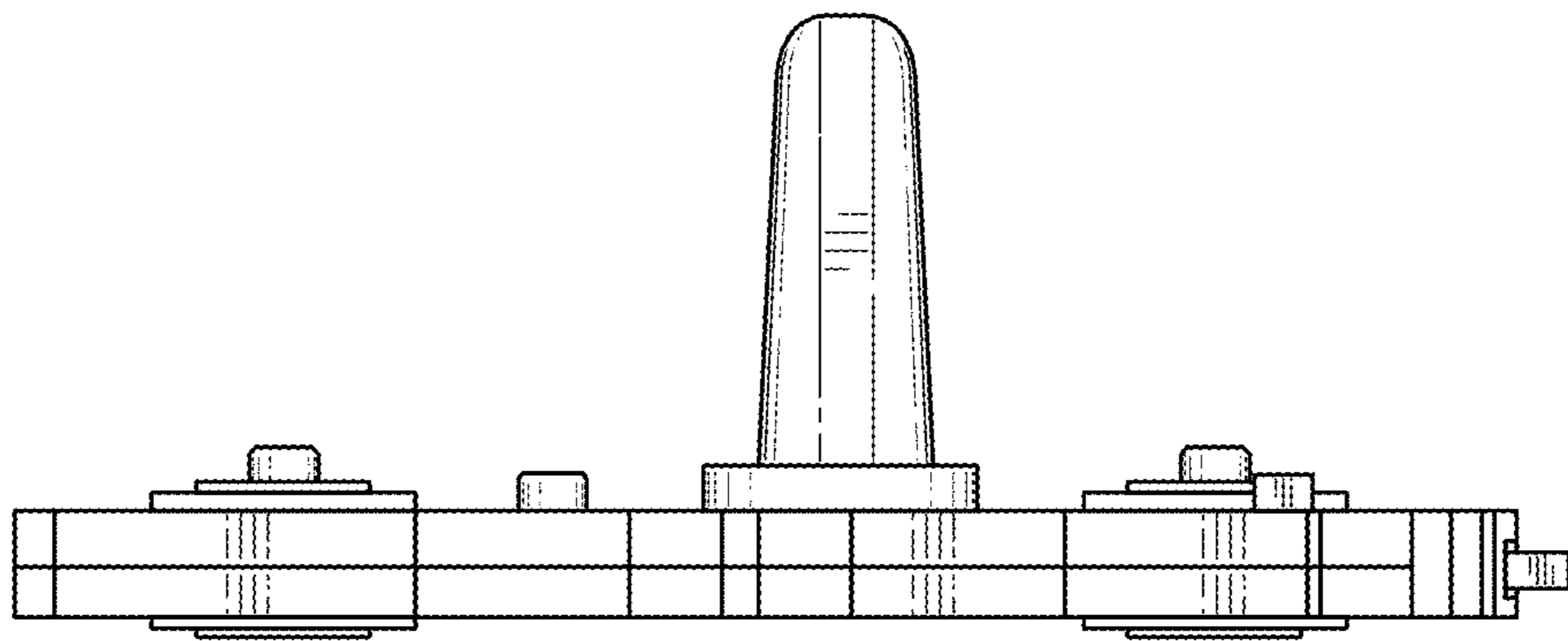


FIG. 3

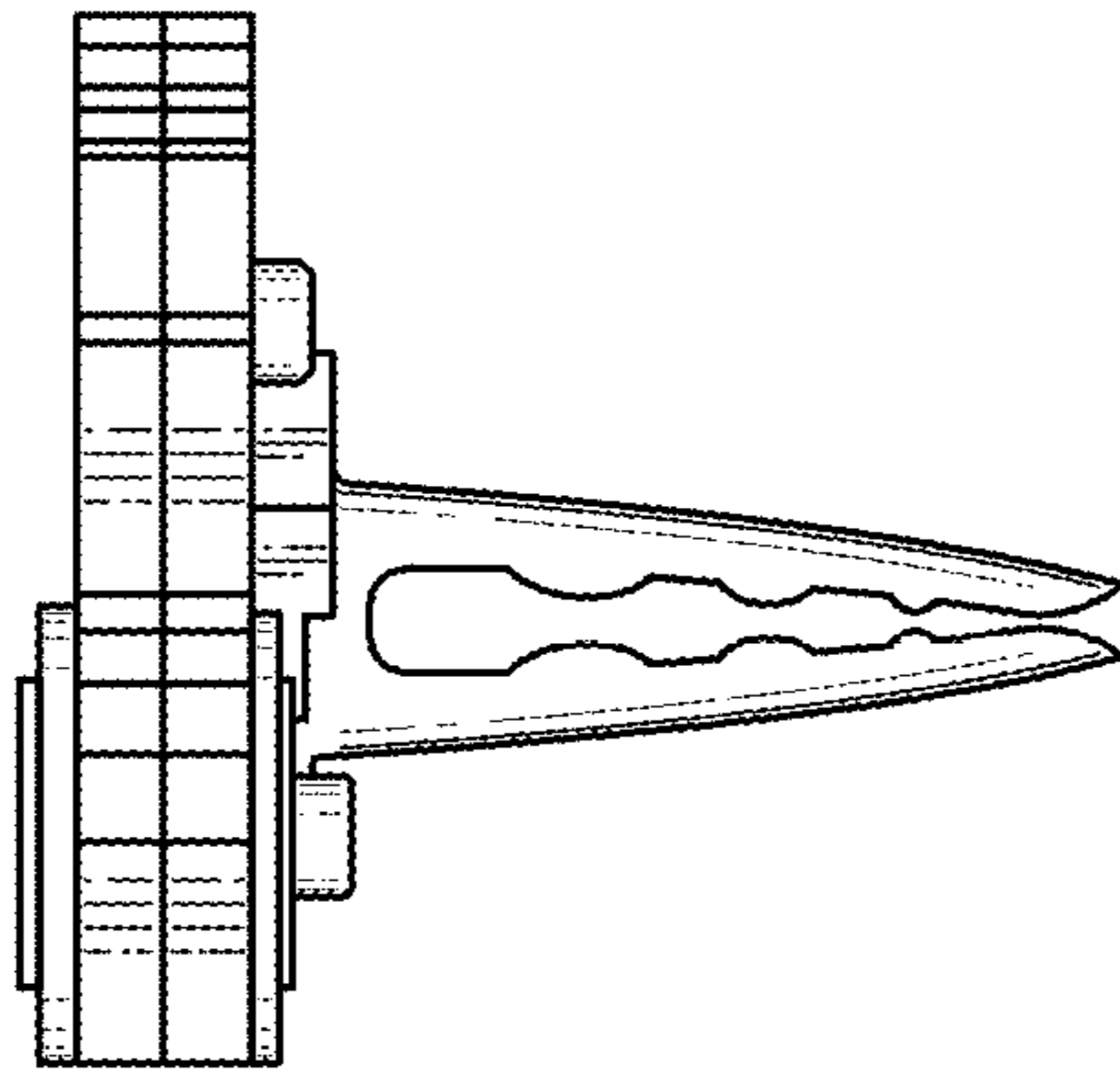


FIG. 4

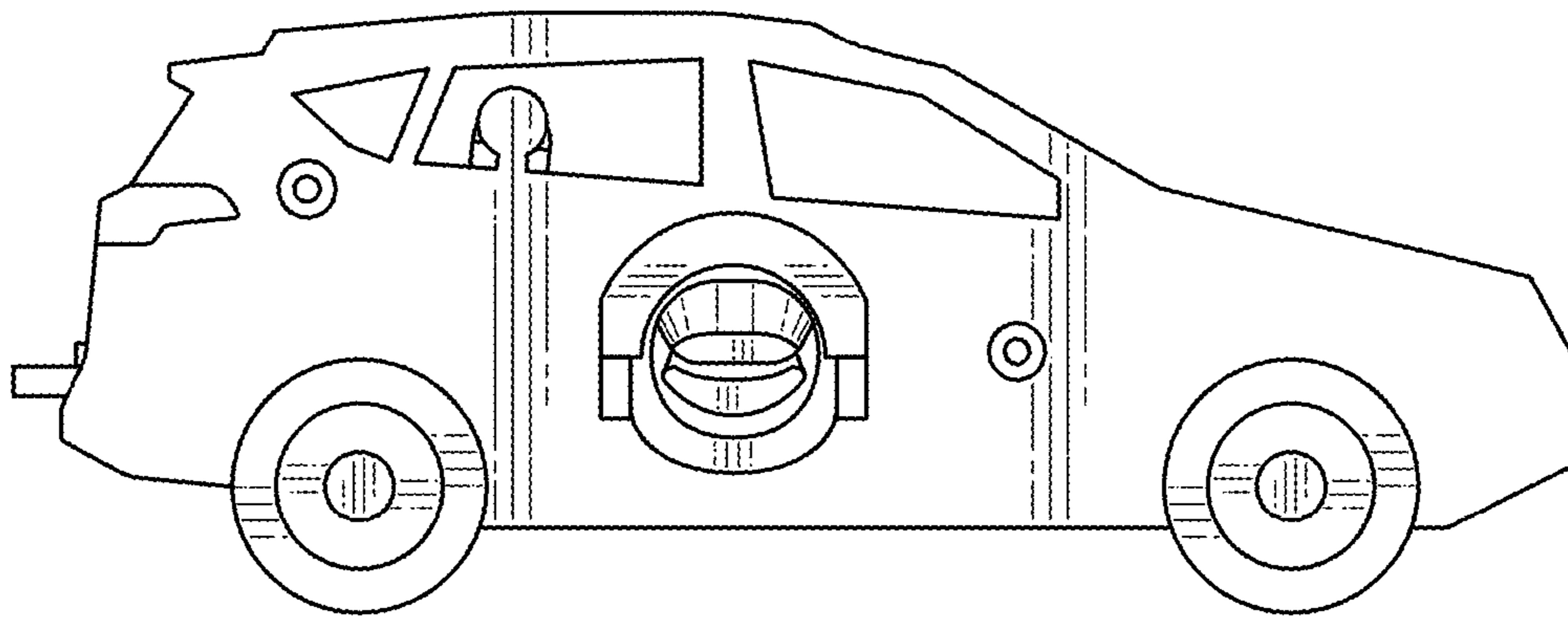


FIG. 5