

US00D769141S

(12) **United States Design Patent** (10) **Patent No.:** **US D769,141 S**
Merrill et al. (45) **Date of Patent:** **** Oct. 18, 2016**

(54) **INDICATOR ASSEMBLY** D653,572 S * 2/2012 Ohtani D10/102
D705,101 S * 5/2014 Haener D10/85
(71) Applicant: **Meriam/Scott Fetzer Company,** D747,988 S * 1/2016 Matsumiya D10/102
Westlake, OH (US)

(72) Inventors: **John W. Merrill,** North Ridgeville, OH
(US); **Bryan E. Pavlovic,** Strongsville,
OH (US)

(73) Assignee: **Meriam/Scott Fetzer Company,**
Westlake, OH (US)

(**) Term: **15 Years**

(21) Appl. No.: **29/532,200**

(22) Filed: **Jul. 2, 2015**

(51) **LOC (10) Cl.** **10-04**

(52) **U.S. Cl.**
USPC **D10/85**

(58) **Field of Classification Search**
USPC D10/46, 85
CPC B60C 23/0408; B60C 23/0494; G01L
7/043; G01L 7/00-7/24; G01L 13/00-13/06;
G01L 15/00; G01L 17/00-17/005; G01L
19/00-19/16; G01L 23/00-23/32; G01L
27/00-23/02

See application file for complete search history.

(56) **References Cited**

U.S. PATENT DOCUMENTS

7,430,901 B2 * 10/2008 Wu G01L 17/00
73/146
D612,277 S * 3/2010 Cain D10/85

OTHER PUBLICATIONS

Pressure Gauge Advertisement, 8 pages. This pressure gauge was sold or publically displayed more than 1 year prior to the filing date of the subject application, namely, Jul. 1, 2014.

* cited by examiner

Primary Examiner — Antoine D Davis

(74) *Attorney, Agent, or Firm* — Tarolli, Sundheim,
Covell & Tummino LLP

(57) **CLAIM**

The ornamental design for an indicator assembly, as shown and described.

DESCRIPTION

FIG. 1 is a top front perspective view of an indicator assembly;

FIG. 2 is a top rear perspective view thereof;

FIG. 3 is a bottom front perspective view thereof;

FIG. 4 is a bottom front perspective view thereof;

FIG. 5 is a front elevation view thereof;

FIG. 6 is a rear elevation view thereof;

FIG. 7 is a left side elevation view thereof;

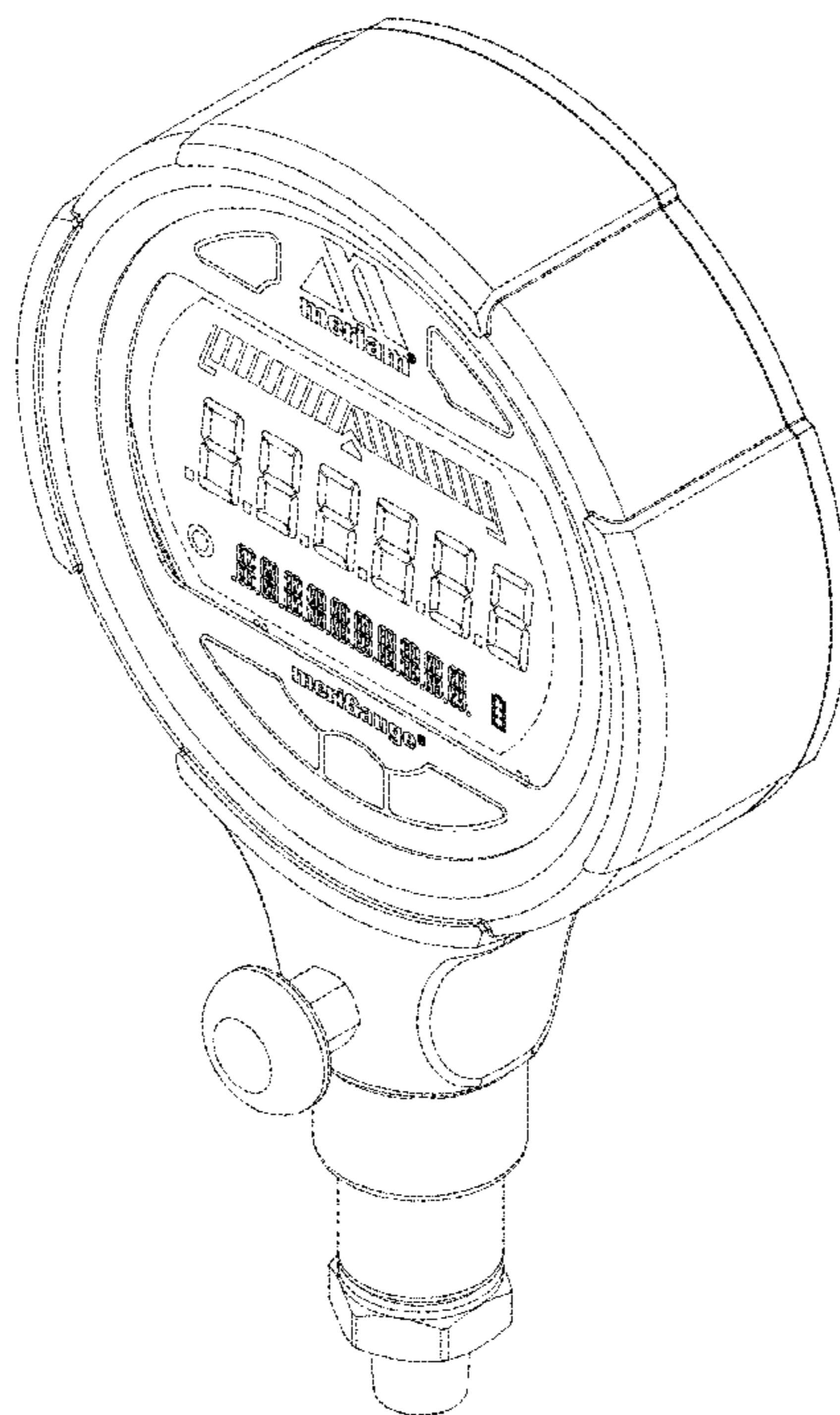
FIG. 8 is a right side elevation view thereof;

FIG. 9 is a top plan view thereof; and,

FIG. 10 is a bottom plan view thereof.

Those portions of the Figures shown in broken lines are for illustration only and form no part of the claimed design.

1 Claim, 8 Drawing Sheets



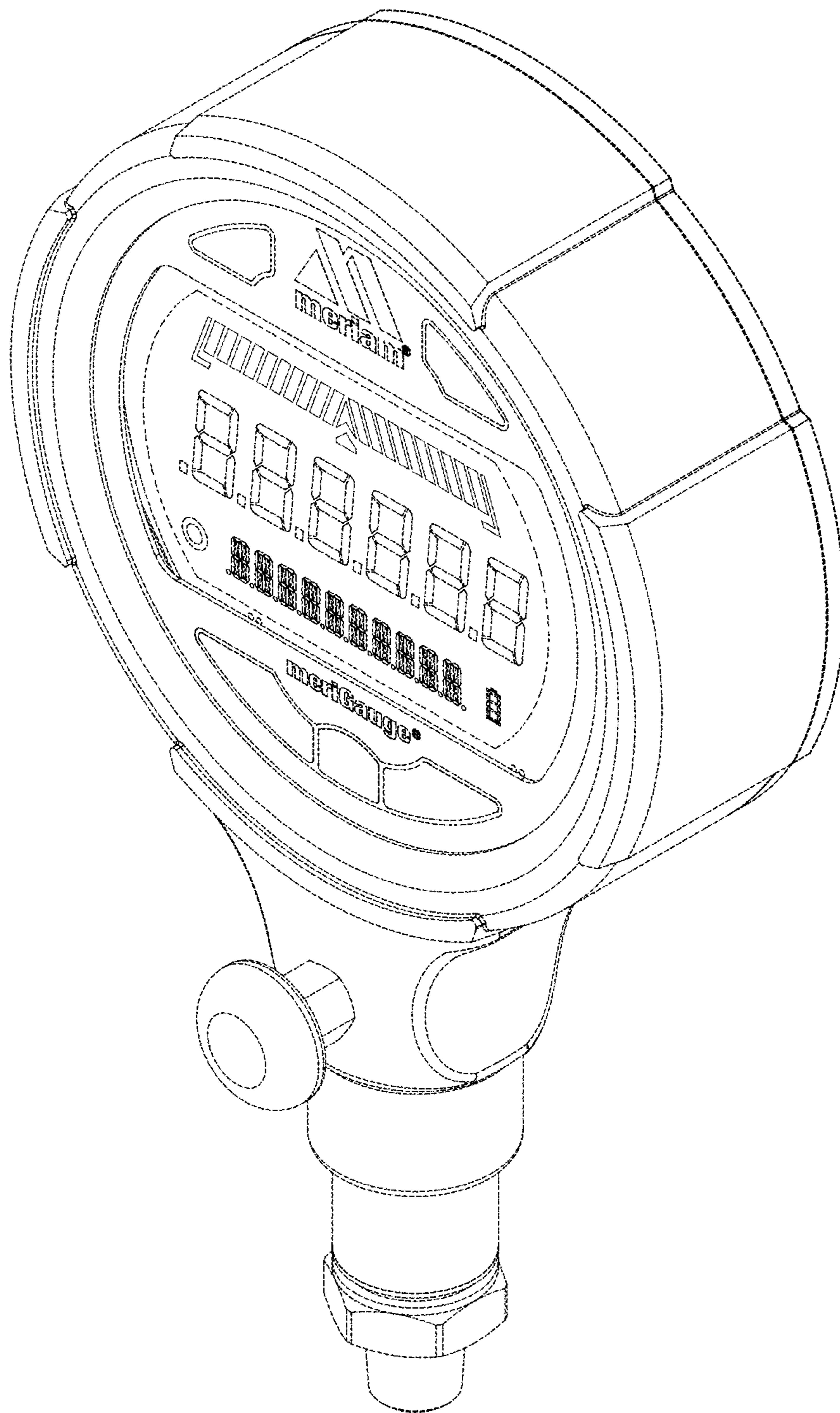


FIG. 1

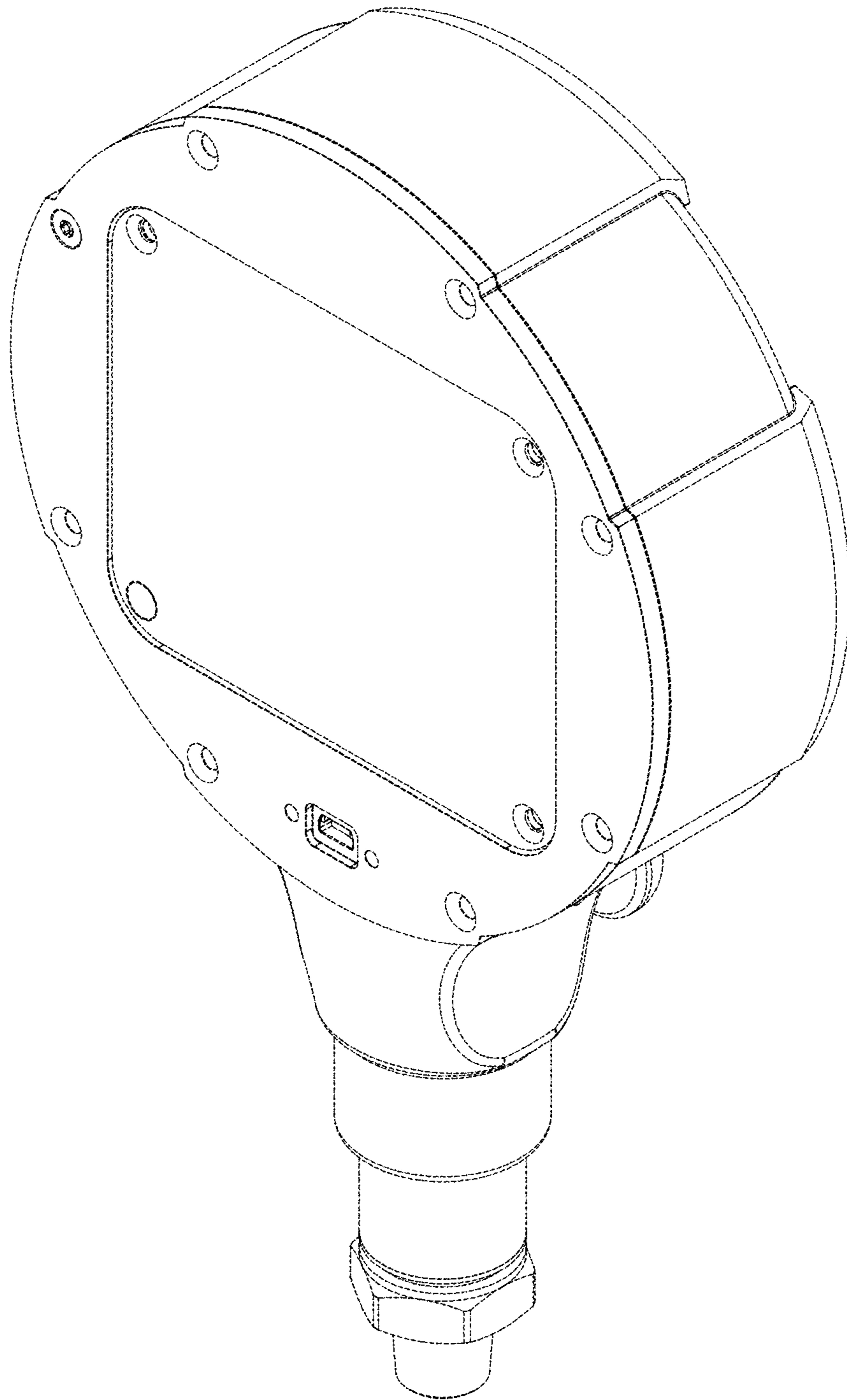


FIG. 2

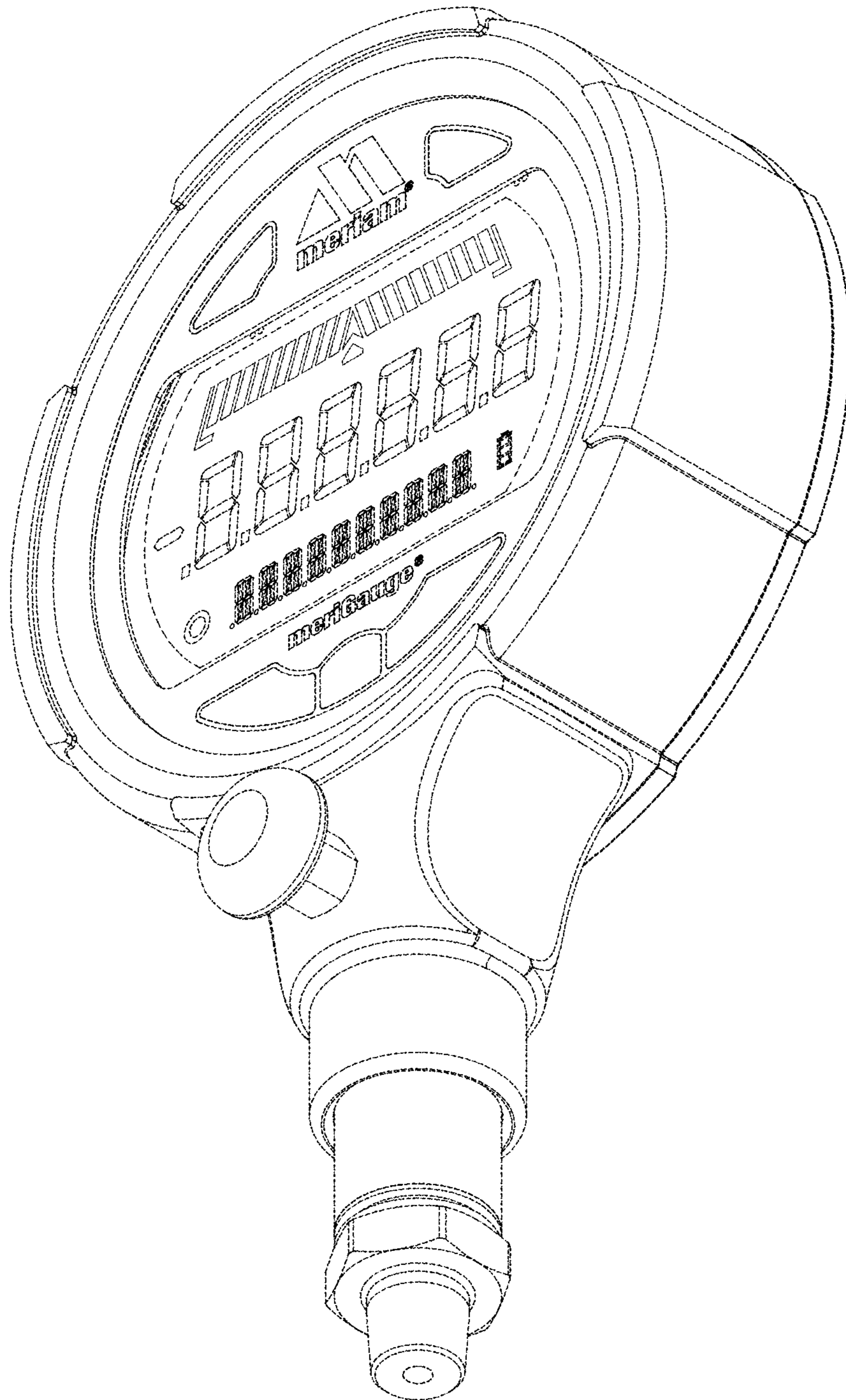


FIG. 3

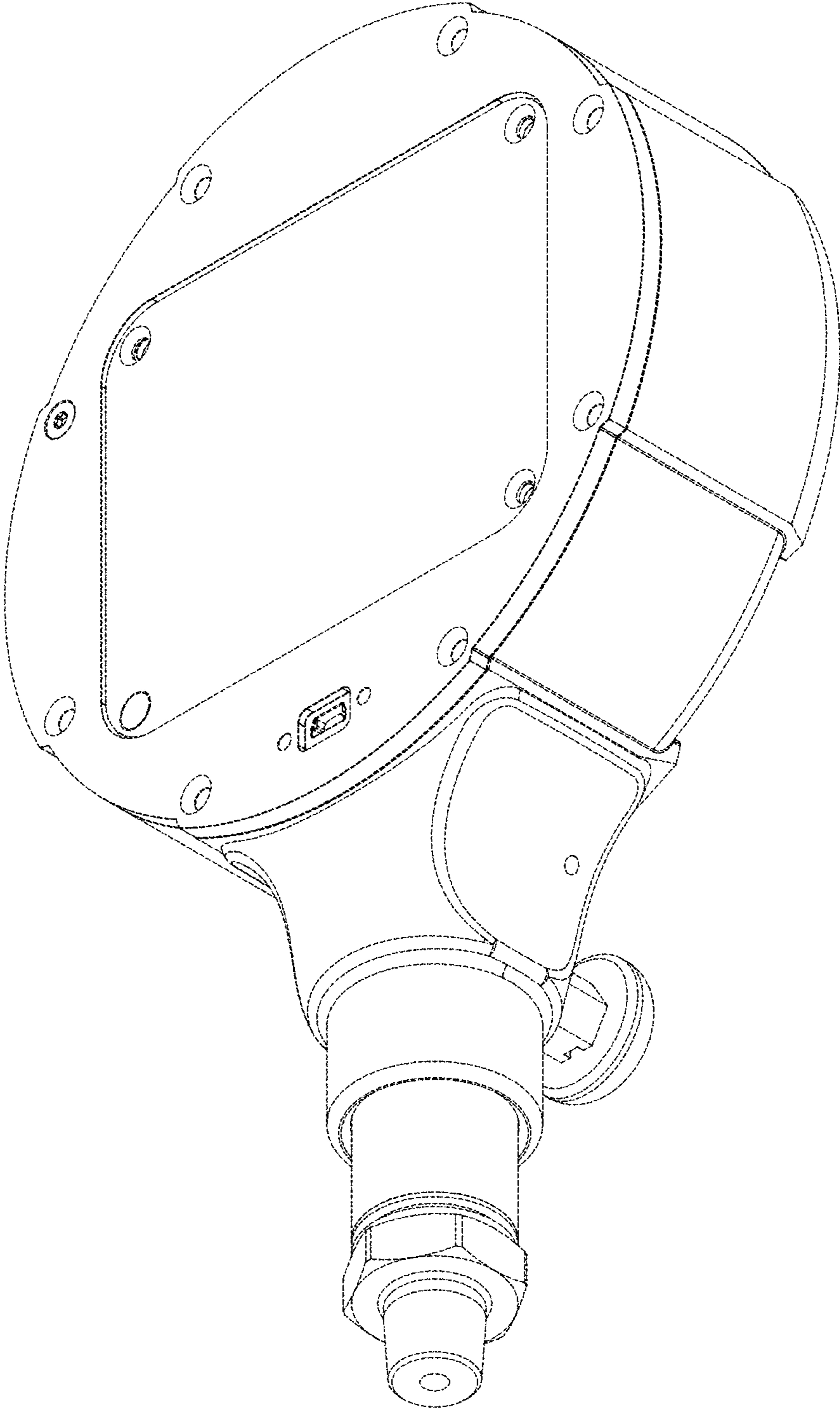


FIG. 4

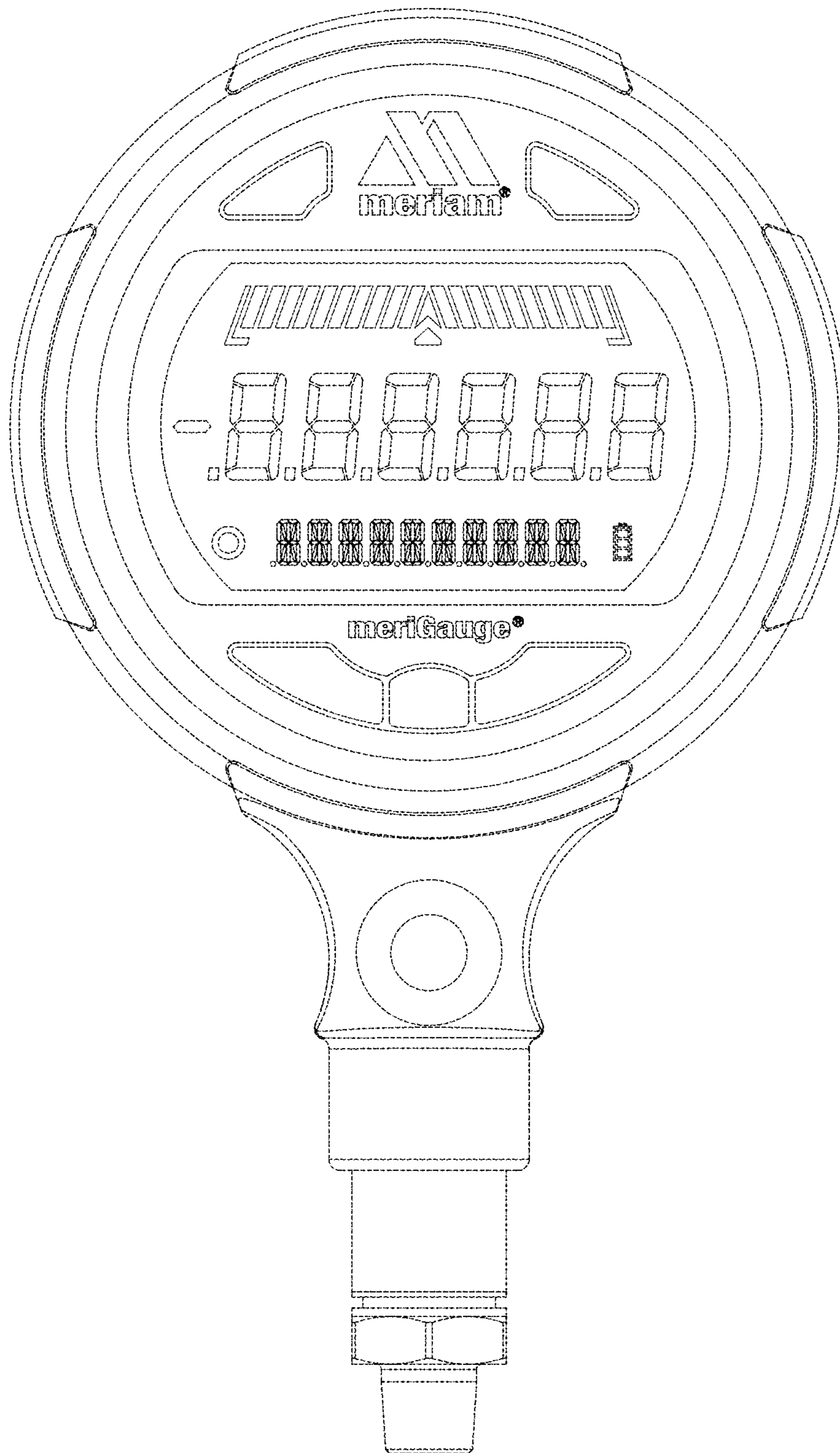


FIG. 5

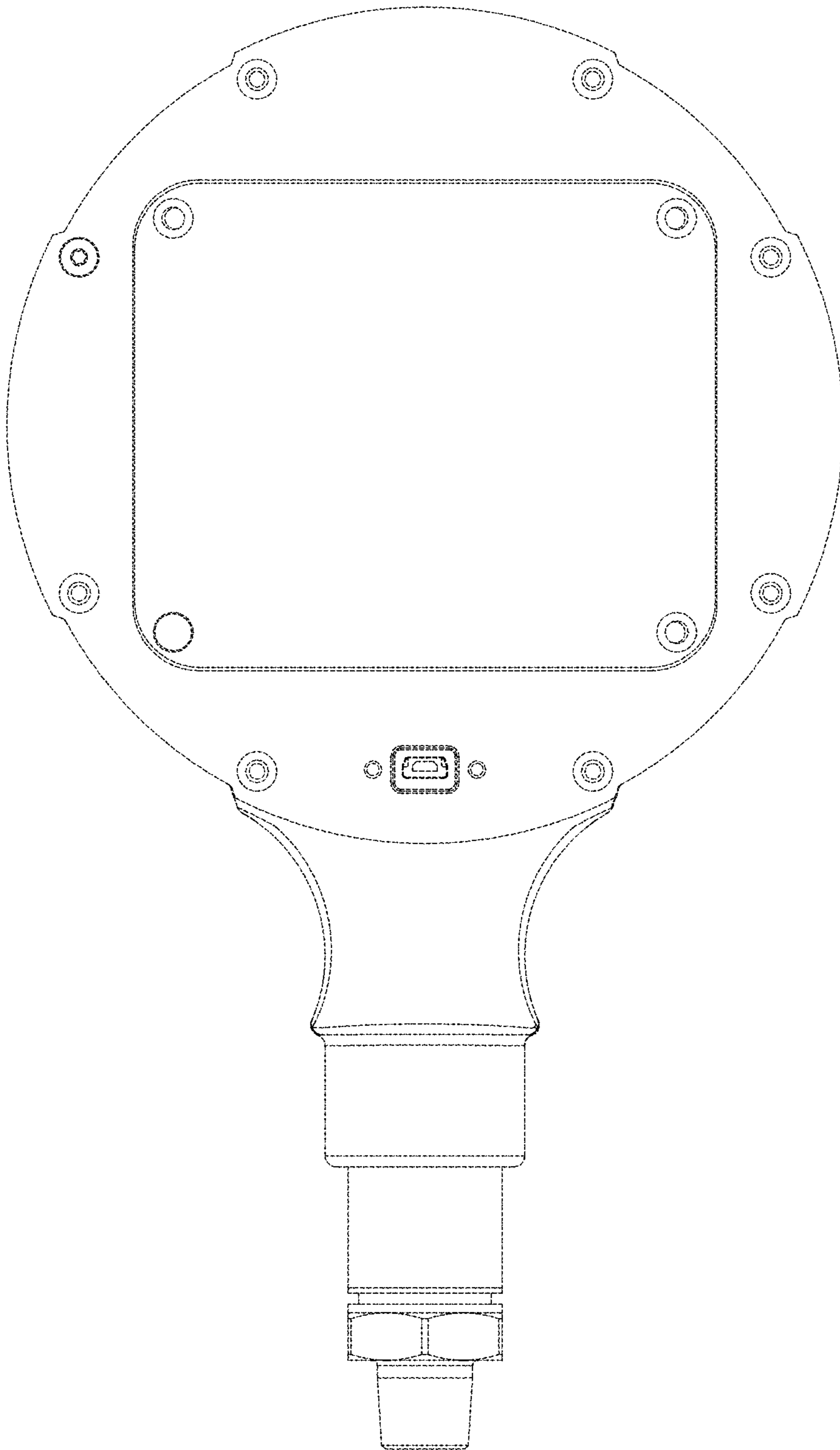


FIG. 6

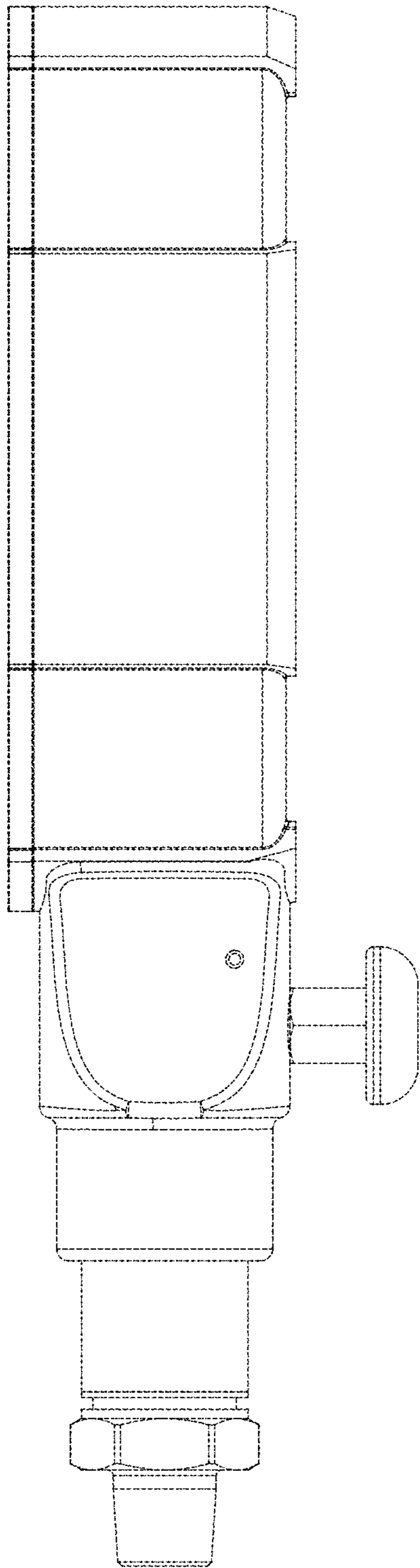


FIG. 7

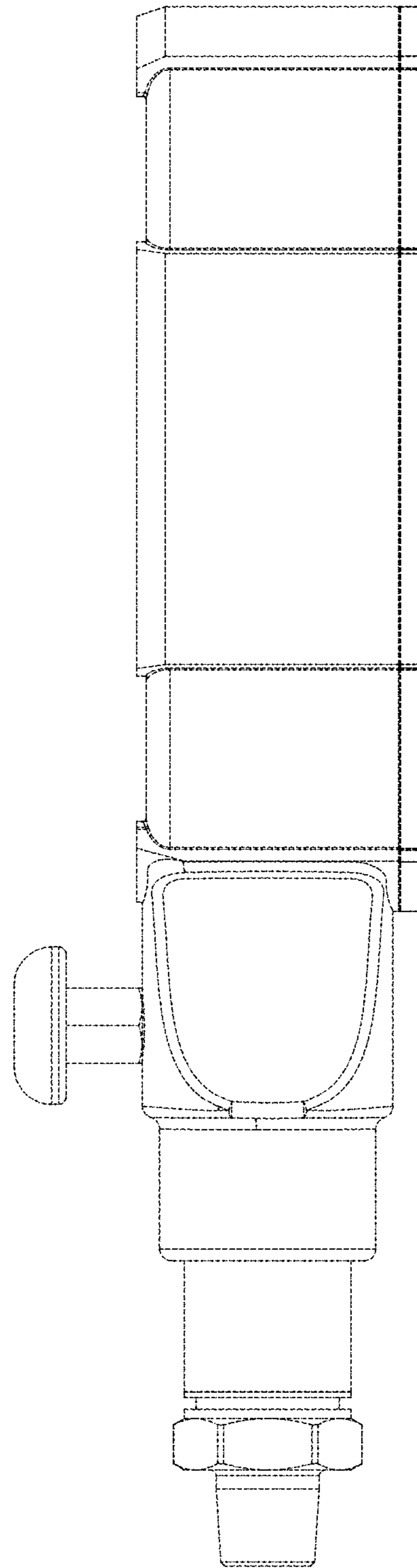


FIG. 8

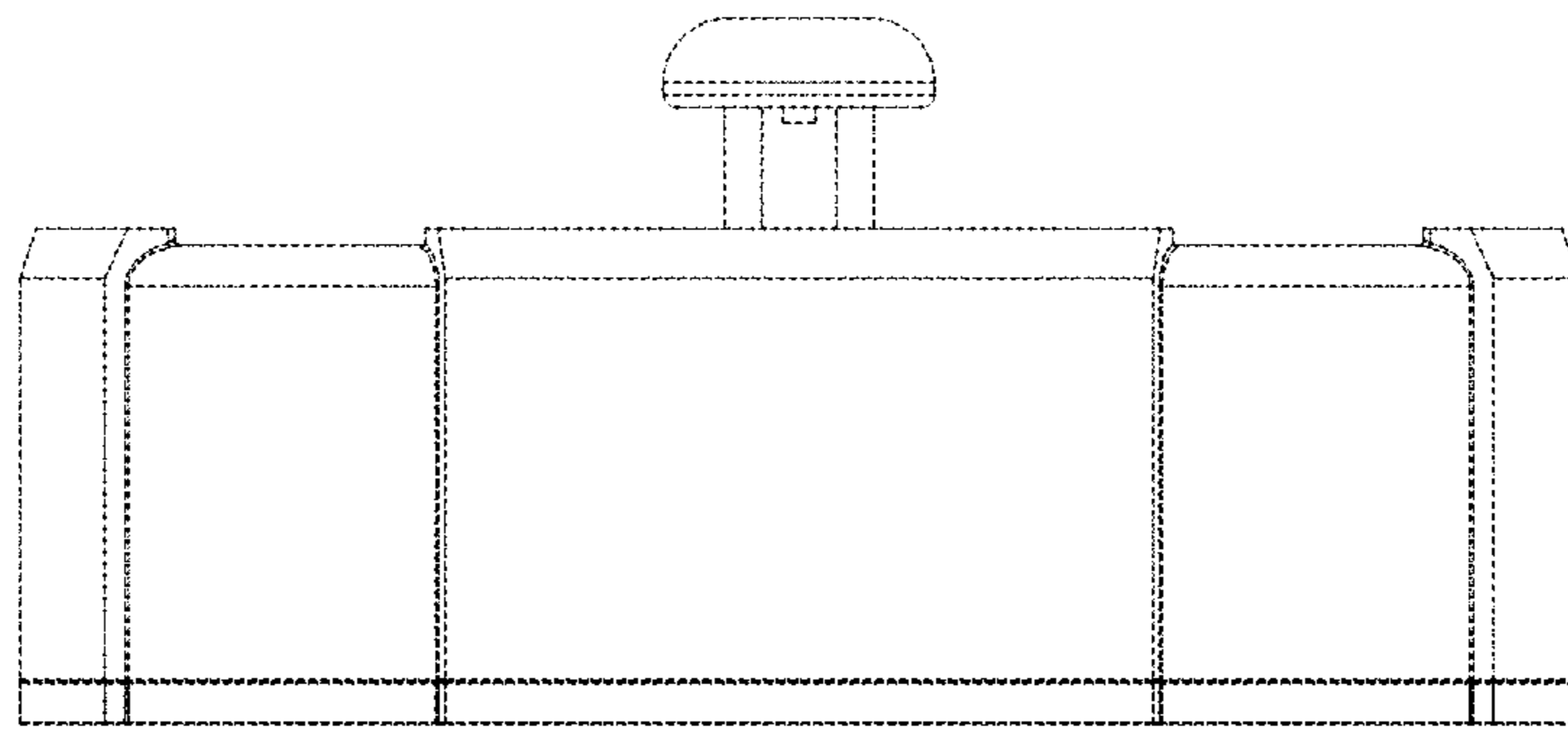


FIG. 9

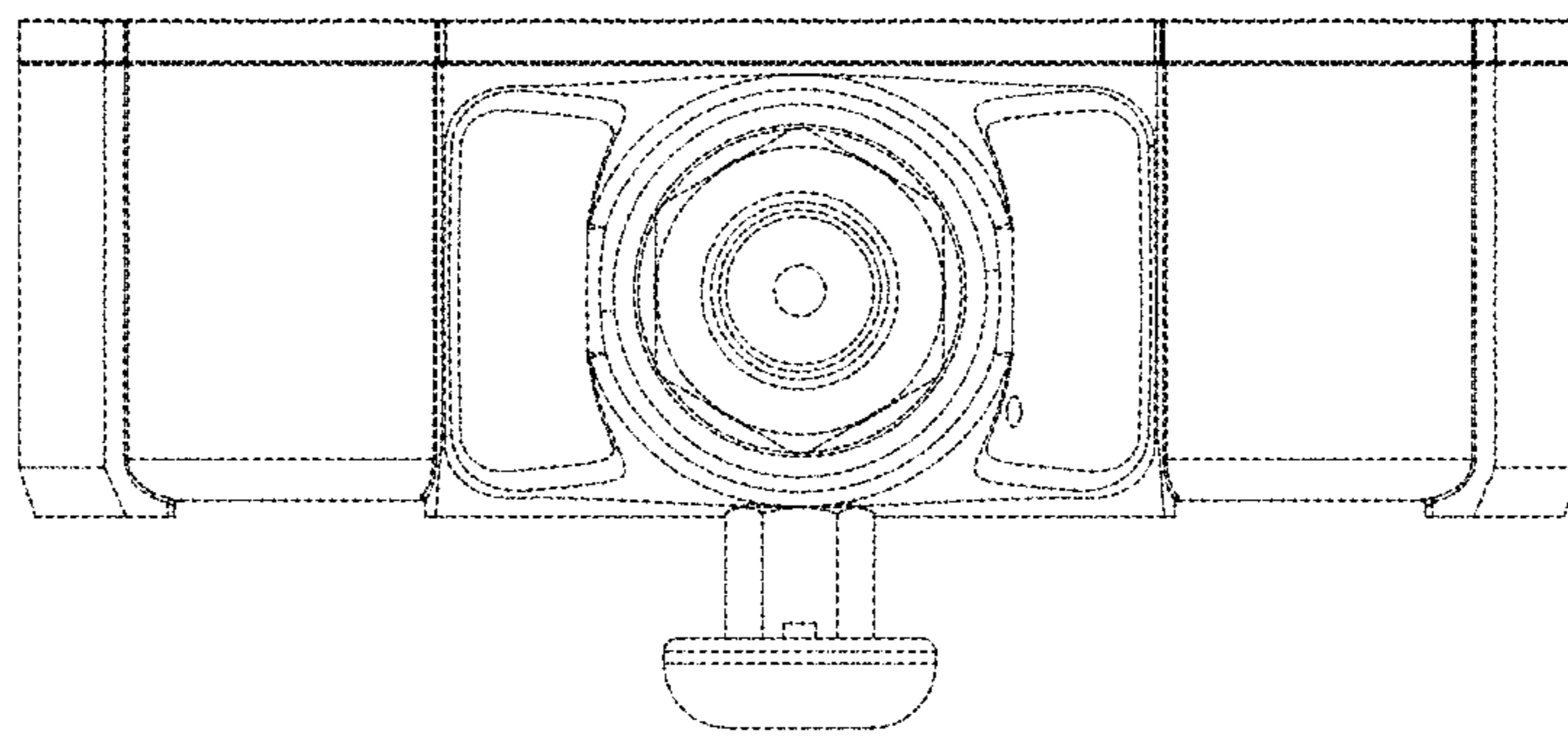


FIG. 10