

US00D769137S

(12) **United States Design Patent** (10) **Patent No.:** **US D769,137 S**
Sisti (45) **Date of Patent:** **** Oct. 18, 2016**

(54) **TEMPERATURE PROBE**
(71) Applicant: **REOTEMP Instrument Corporation**,
San Diego, CA (US)
(72) Inventor: **James Jerald Sisti**, Encinitas, CA (US)
(73) Assignee: **REOTEMP INSTRUMENTS**
CORPORATION, San Diego, CA (US)
(**) Term: **15 Years**
(21) Appl. No.: **29/529,253**
(22) Filed: **Jun. 4, 2015**
(51) **LOC (10) Cl.** **10-04**
(52) **U.S. Cl.**
USPC **D10/57**
(58) **Field of Classification Search**
USPC D10/57, 60
CPC G01K 1/083; G01K 1/18; G01K 13/002
See application file for complete search history.

(56) **References Cited**
U.S. PATENT DOCUMENTS
3,822,593 A 7/1974 Oudewaal
4,468,609 A 8/1984 Schmitz
(Continued)

Primary Examiner — Antoine D Davis
(74) *Attorney, Agent, or Firm* — Gorman IP Law, APC

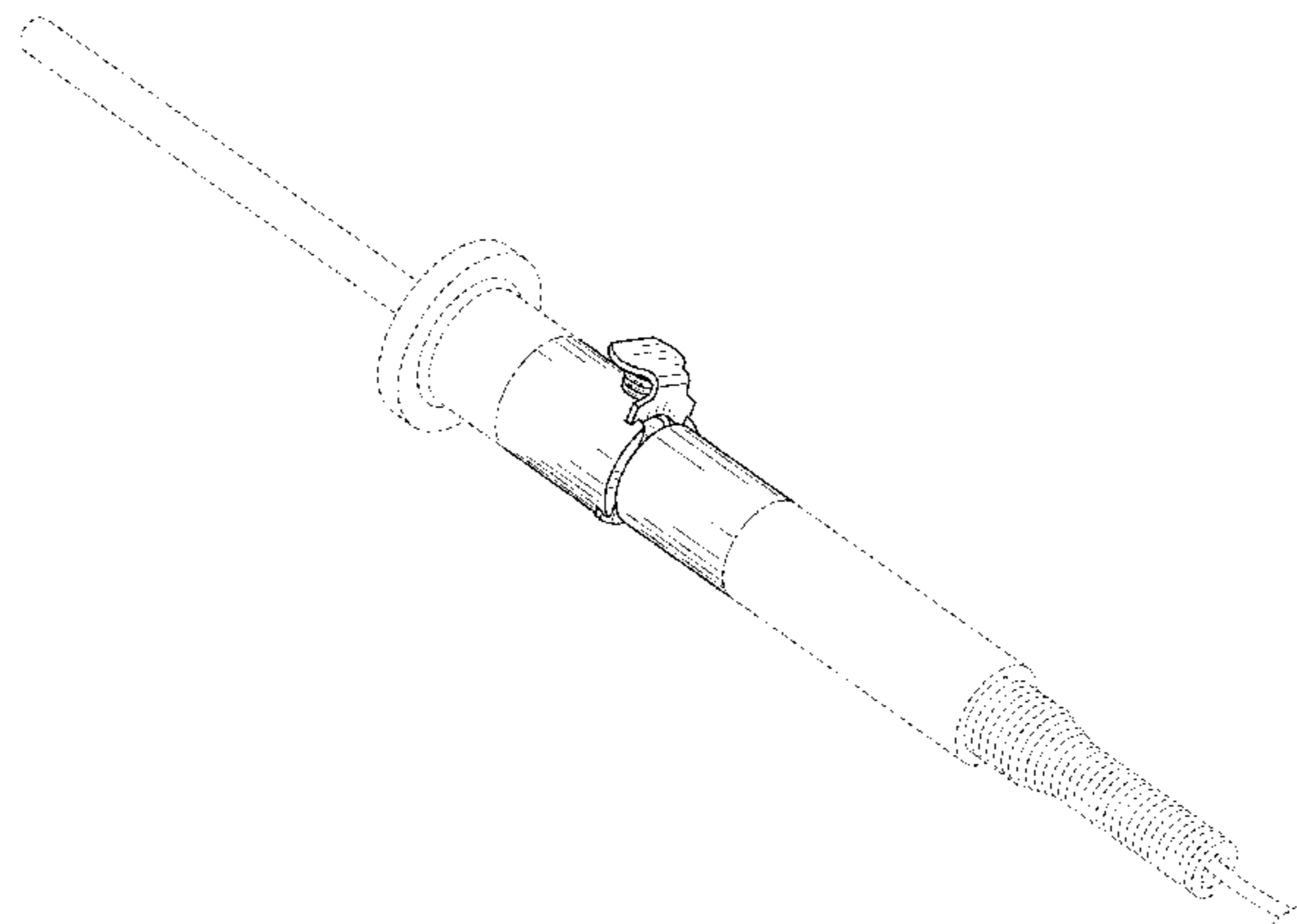
(57) **CLAIM**
The ornamental design for a temperature probe, as shown
and described.

DESCRIPTION

FIG. 1 is a perspective of a first embodiment of the complete
temperature probe showing my new design;
FIG. 2 is a front view thereof;
FIG. 3 is a left side view thereof, the right side being a mirror
image;

FIG. 4 is a top view thereof;
FIG. 5 is a bottom view thereof;
FIG. 6 is a perspective view of the partially assembled first
embodiment of the temperature probe;
FIG. 7 is a perspective view of the female portion of the first
embodiment of the temperature probe;
FIG. 8 is a front view thereof;
FIG. 9 is a back view thereof;
FIG. 10 is a left side view thereof, the right side being a
mirror image;
FIG. 11 is a top view thereof;
FIG. 12 is a bottom view thereof;
FIG. 13 is a perspective view of the male portion of the first
embodiment of the temperature probe;
FIG. 14 is a front view thereof;
FIG. 15 is a back view thereof;
FIG. 16 is a left side view thereof, the right side, top side,
and bottom side being identical;
FIG. 17 is a perspective of a second embodiment of the
complete temperature probe showing my new design;
FIG. 18 is a back view thereof;
FIG. 19 is a left side view thereof, the right side being a
mirror image;
FIG. 20 is a top view thereof;
FIG. 21 is a bottom view thereof;
FIG. 22 is a perspective view of the partially assembled
second embodiment of the temperature probe;
FIG. 23 is a perspective view of the male portion of the
second embodiment of the temperature probe;
FIG. 24 is a front view thereof;
FIG. 25 is a back view thereof;
FIG. 26 is a left side view thereof, the right side being a
mirror image;
FIG. 27 is a top view thereof;
FIG. 28 is a bottom view thereof;
FIG. 29 is a perspective view of the female portion of the
second embodiment of the temperature probe;
FIG. 30 is a front view thereof;
FIG. 31 is a back view thereof;
FIG. 32 is a left side view thereof, the right side, top side,
and bottom side being identical; and,
FIG. 33 is a perspective view of the female portion of the
second embodiment of the temperature probe.
The evenly broken lines are for illustrative purposes only
and form no part of the claimed design. The unevenly broken
lines in the drawings define the bounds of the claim and form
no part thereof.

1 Claim, 16 Drawing Sheets



US D769,137 S

Page 2

(56)

References Cited

U.S. PATENT DOCUMENTS

5,295,747 A * 3/1994 Vinci F01P 11/14
374/145
6,461,037 B1 10/2002 O'Leary

D597,423 S * 8/2009 Park D10/52
D722,896 S * 2/2015 Lantzsch D10/57
8,996,096 B2 3/2015 Kinsley et al.
D741,205 S * 10/2015 Lantzsch D10/57
D741,729 S * 10/2015 Lantzsch D10/57

* cited by examiner

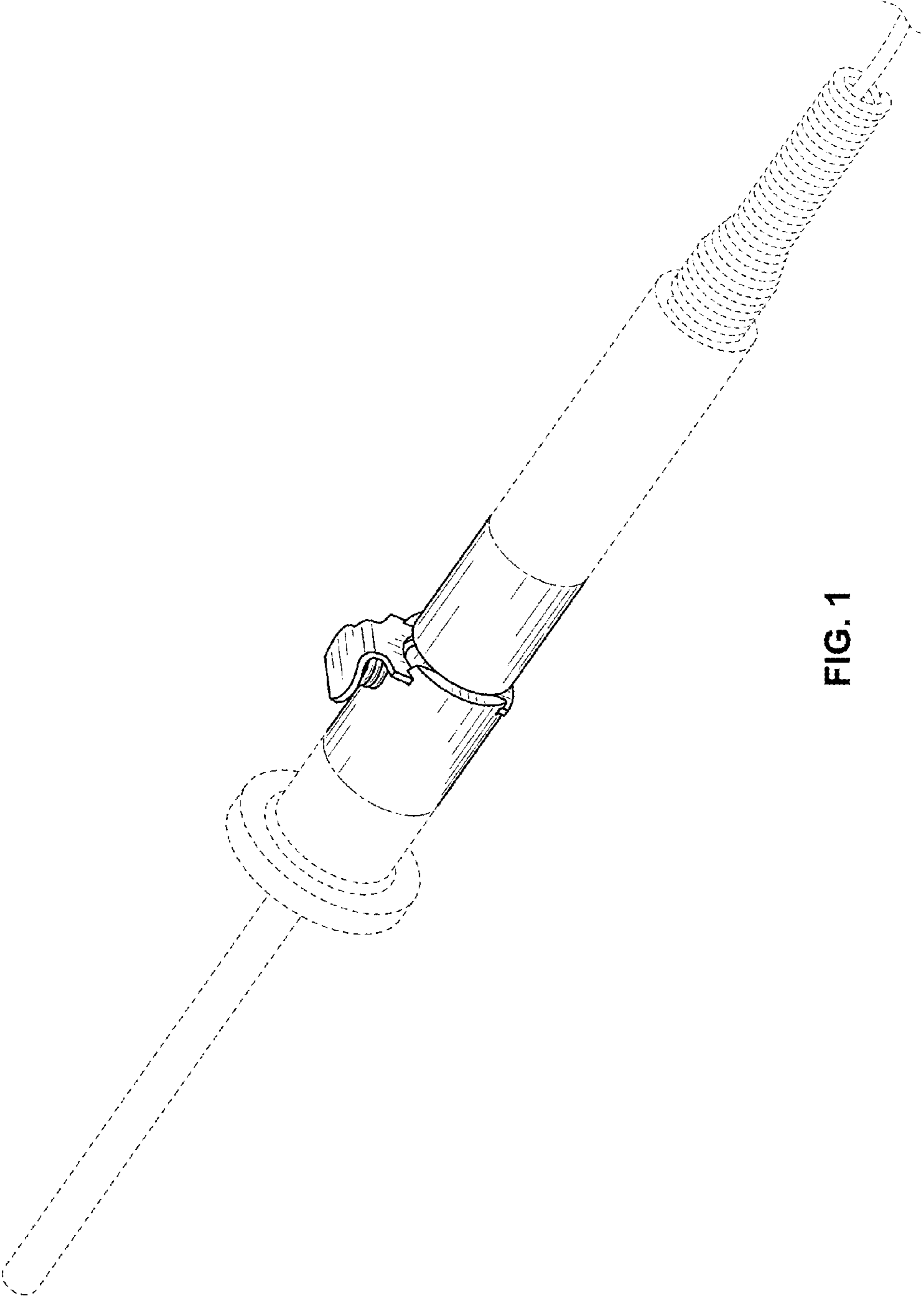


FIG. 1

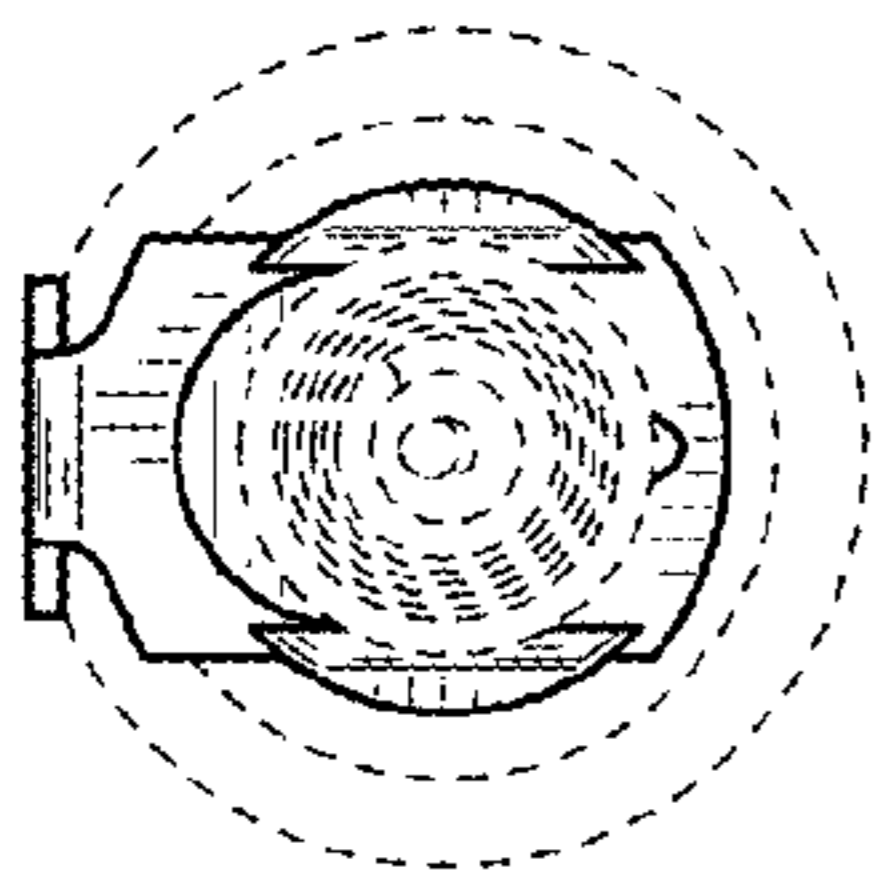


FIG. 2

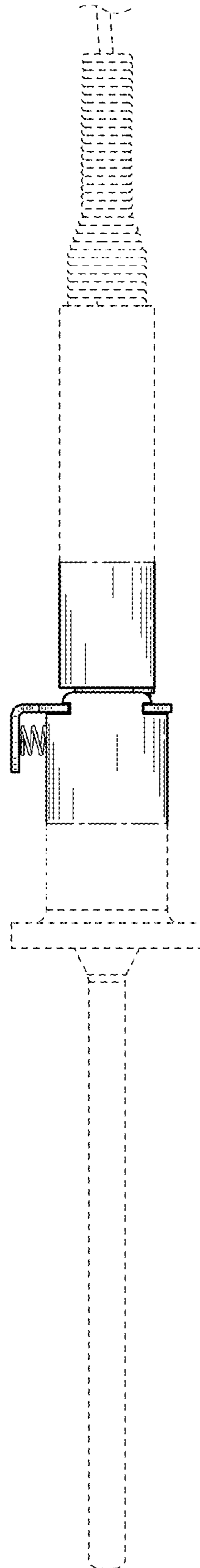


FIG. 3

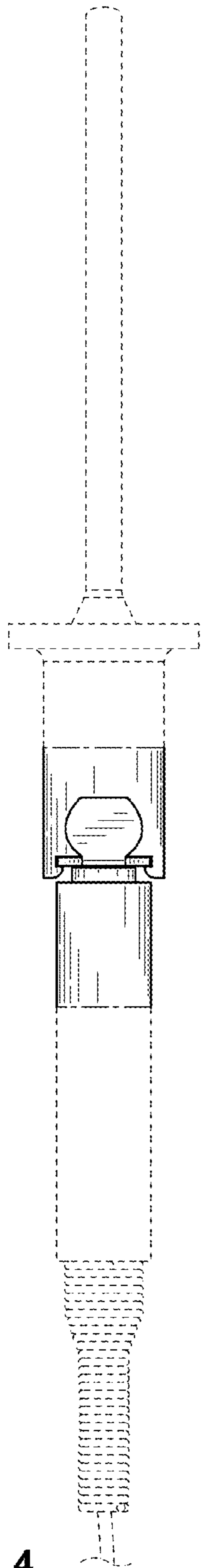


FIG. 4

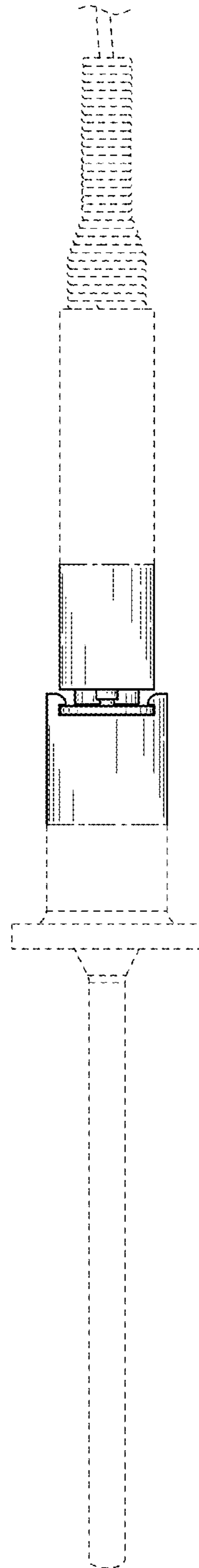


FIG. 5

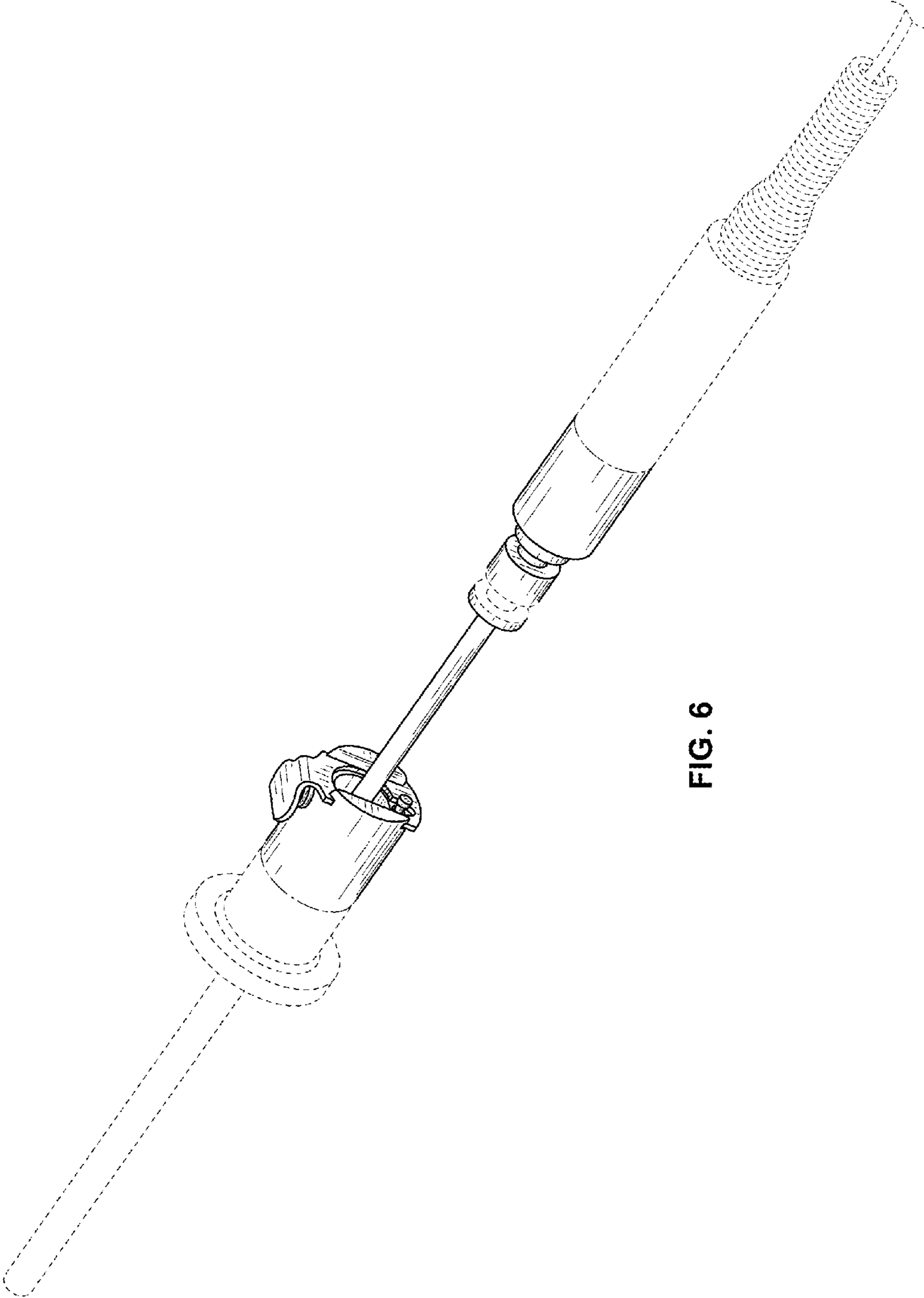


FIG. 6

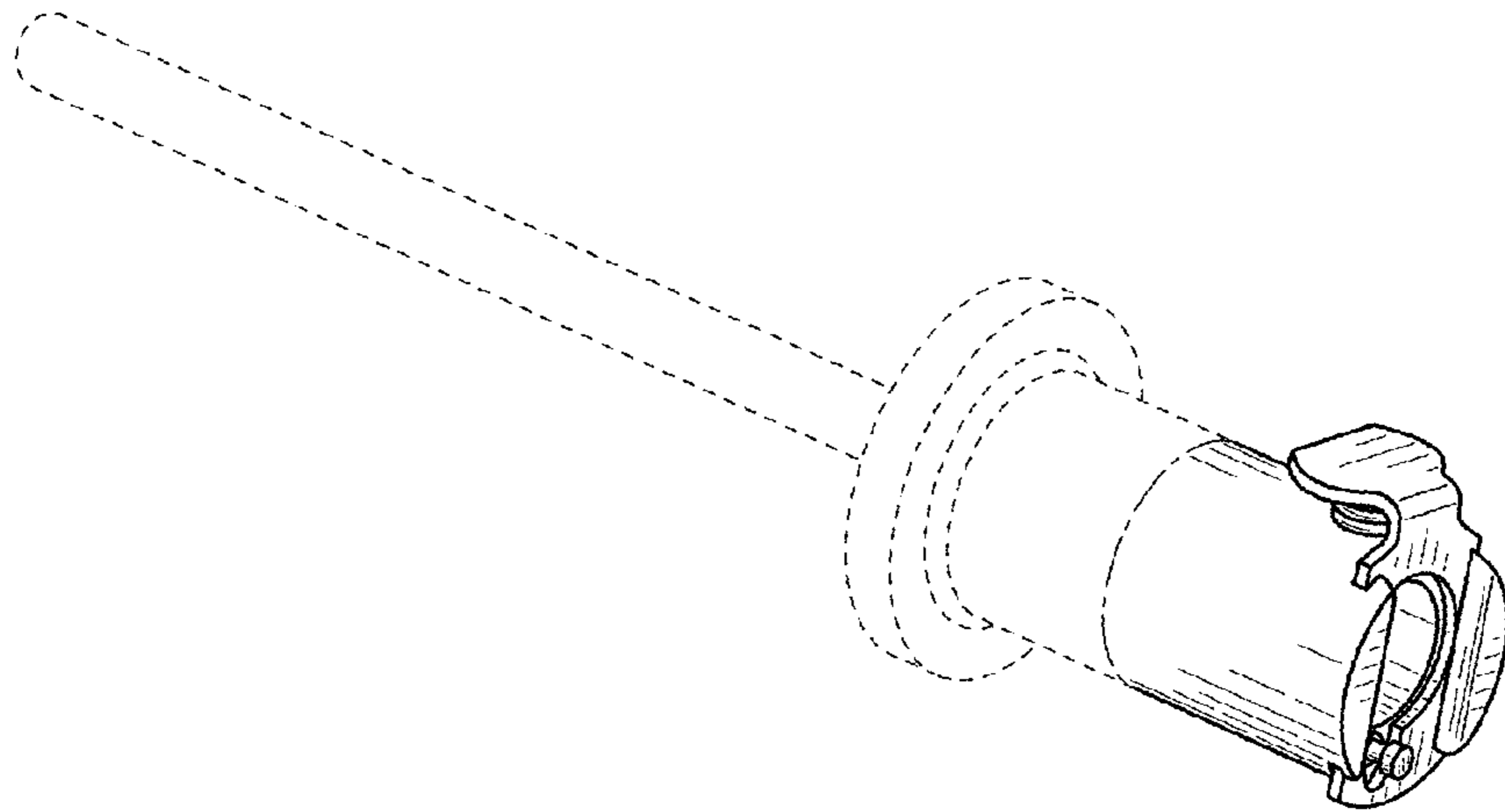


FIG. 7

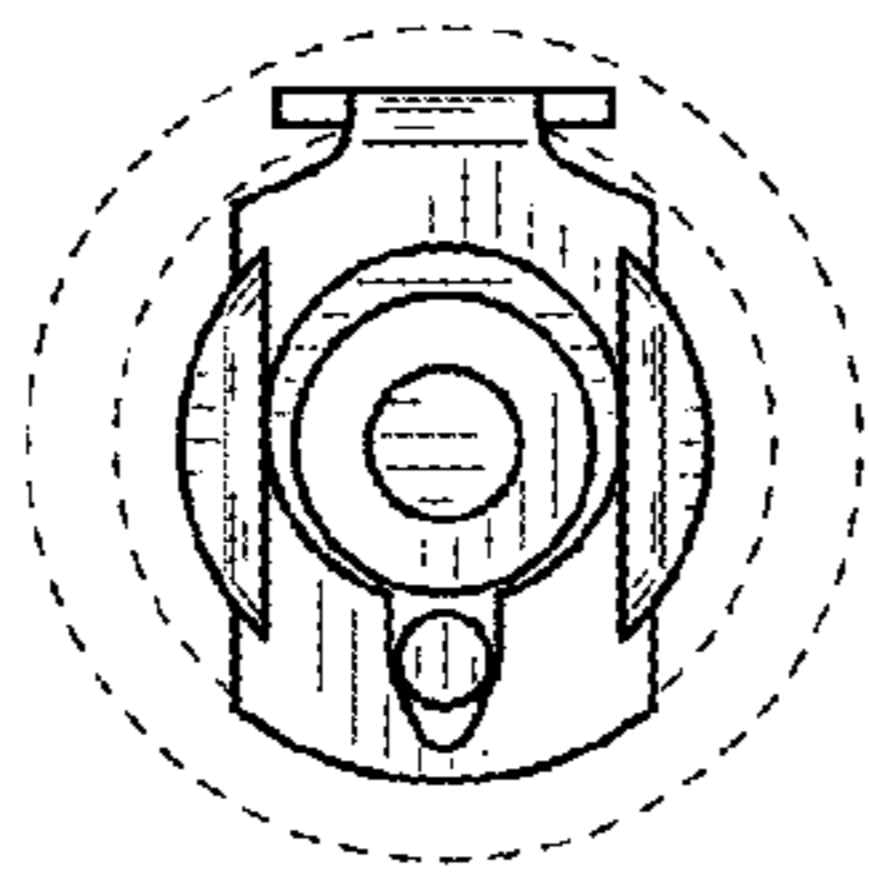


FIG. 8

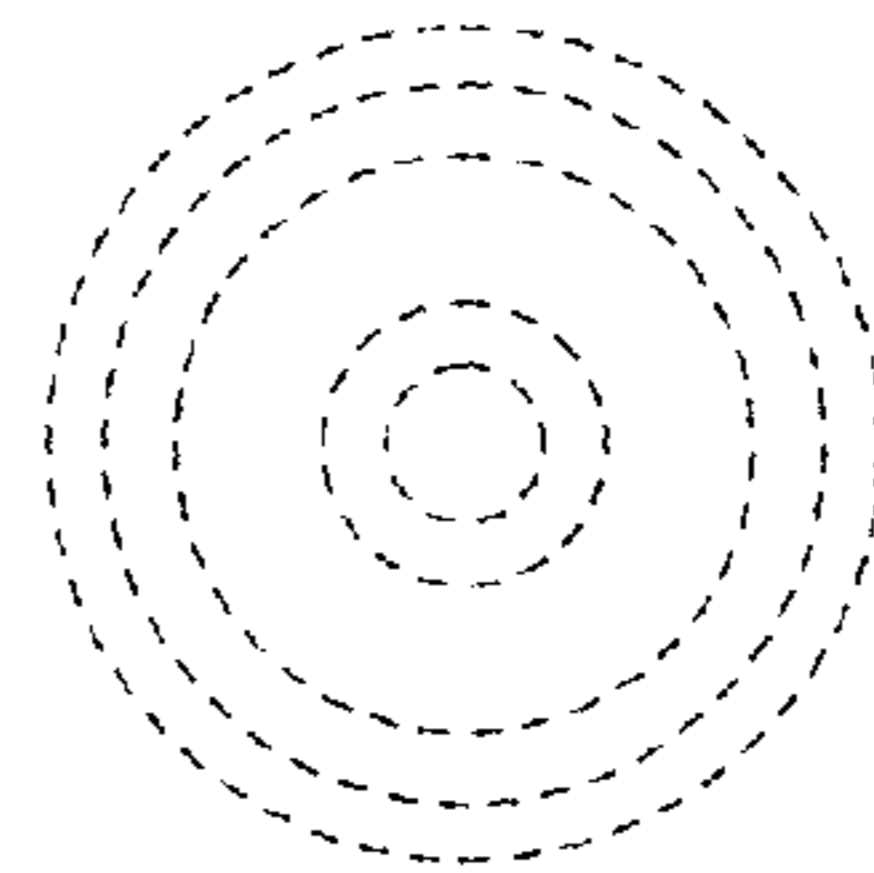


FIG. 9

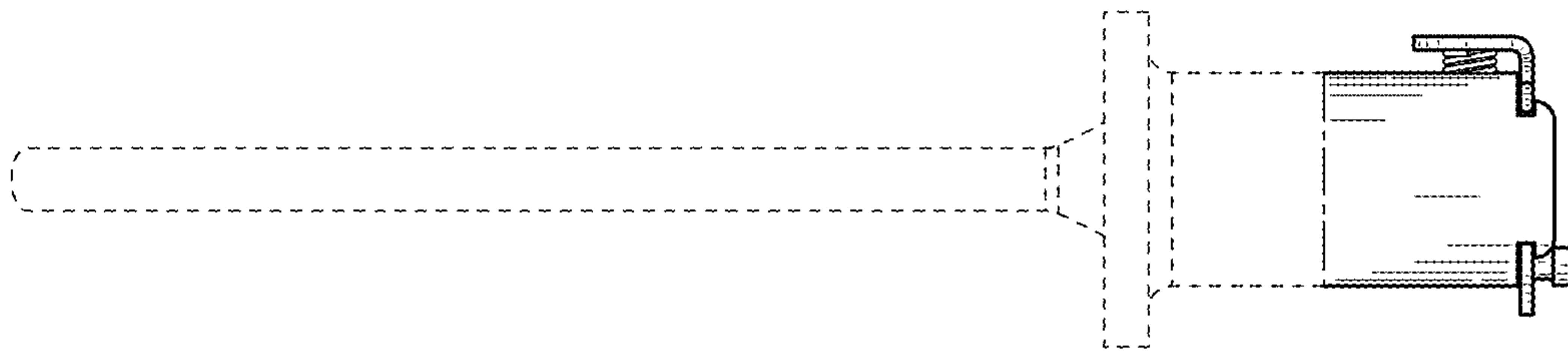


FIG. 10

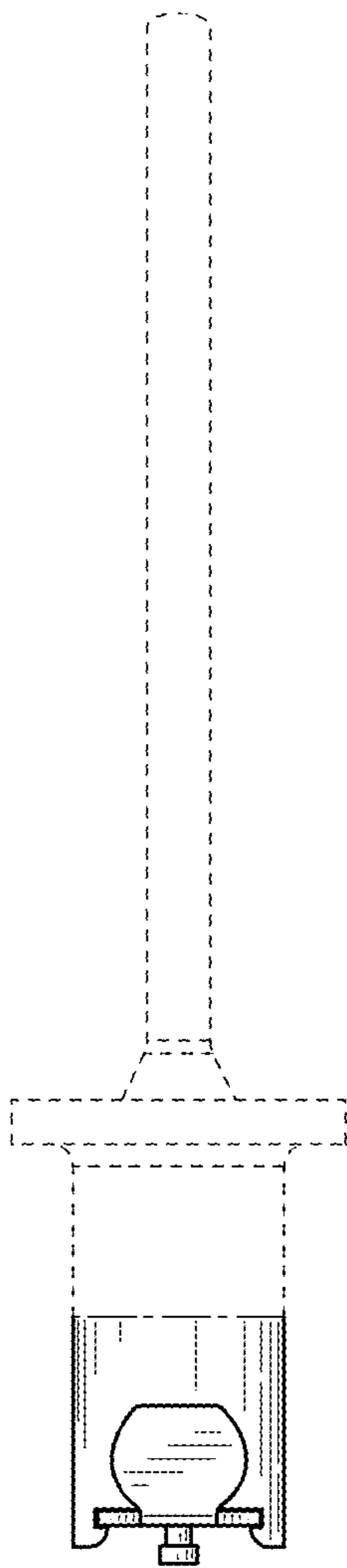


FIG. 11

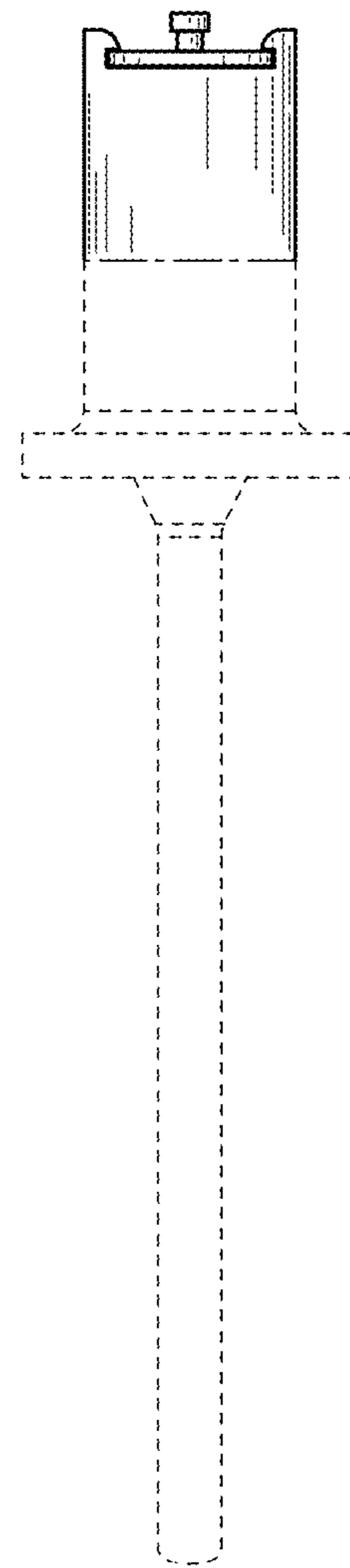


FIG. 12

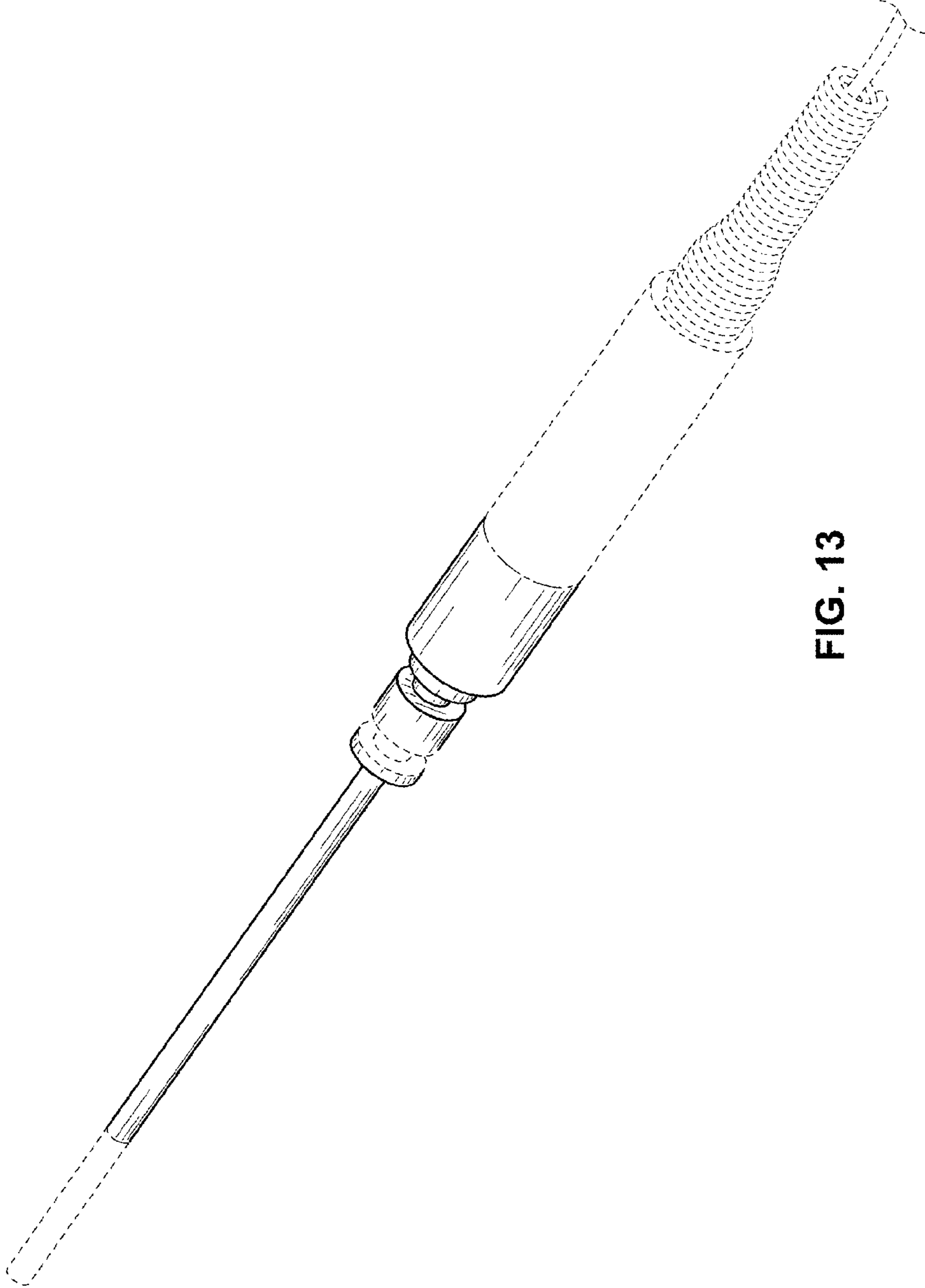


FIG. 13

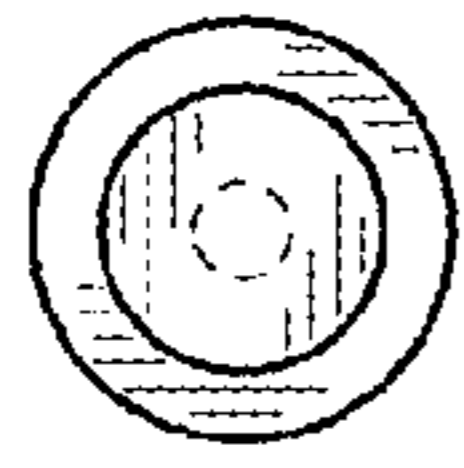


FIG. 15

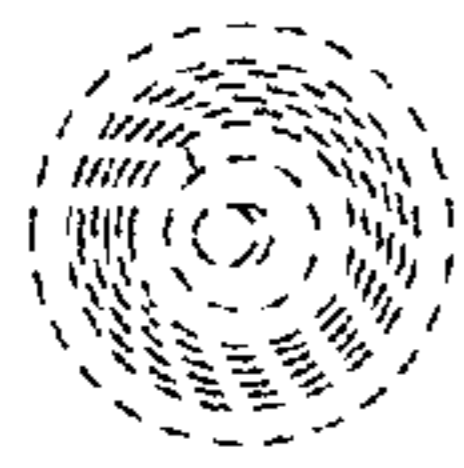


FIG. 14

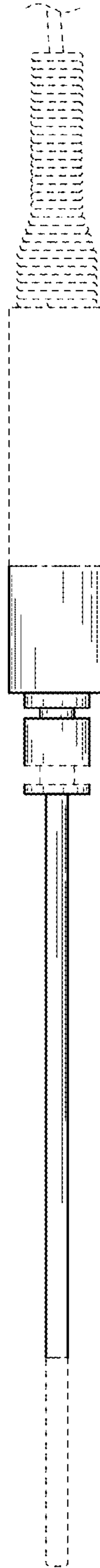


FIG. 16

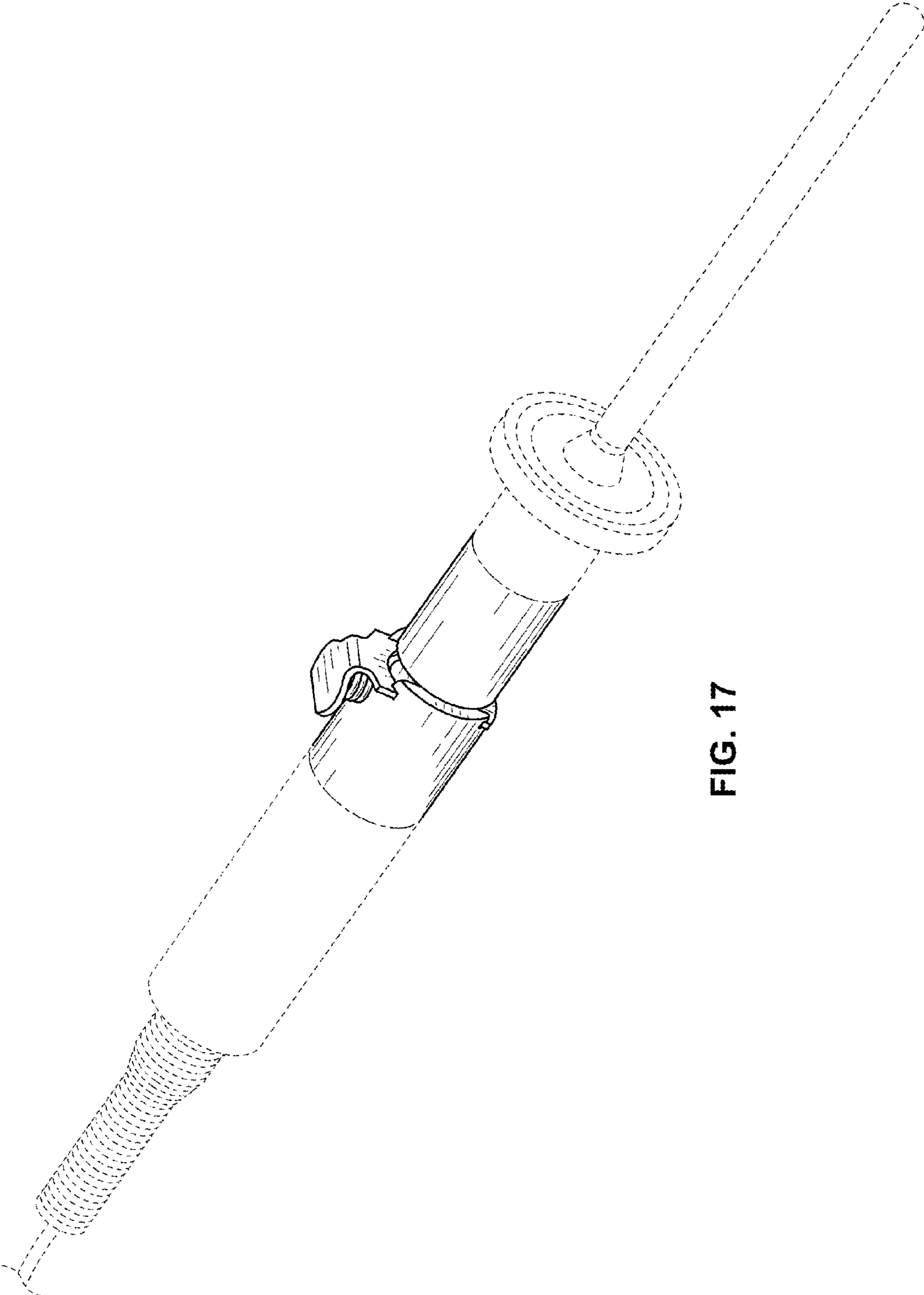


FIG. 17

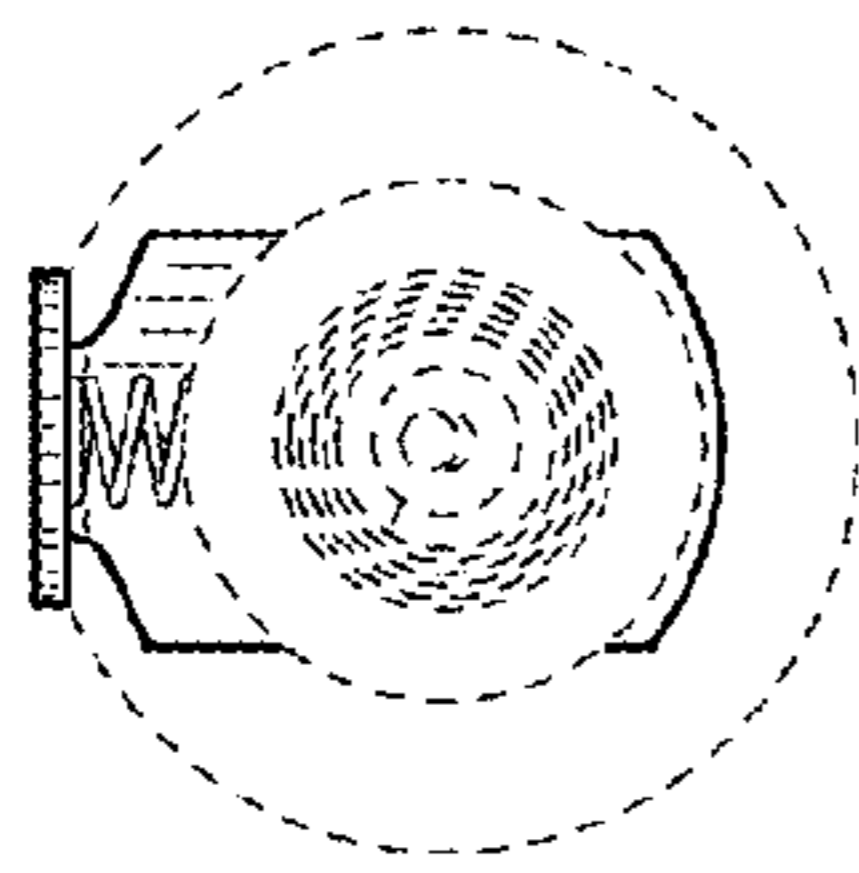


FIG. 18

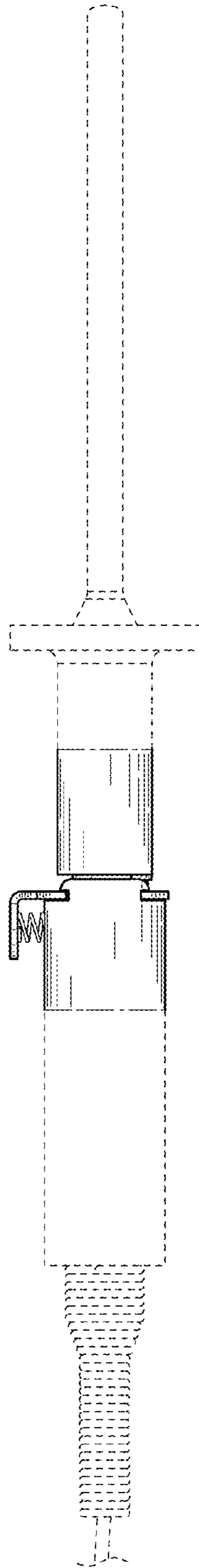


FIG. 19

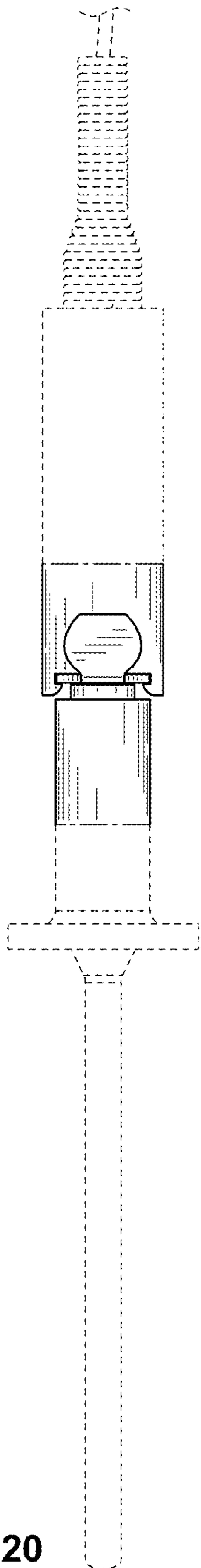


FIG. 20

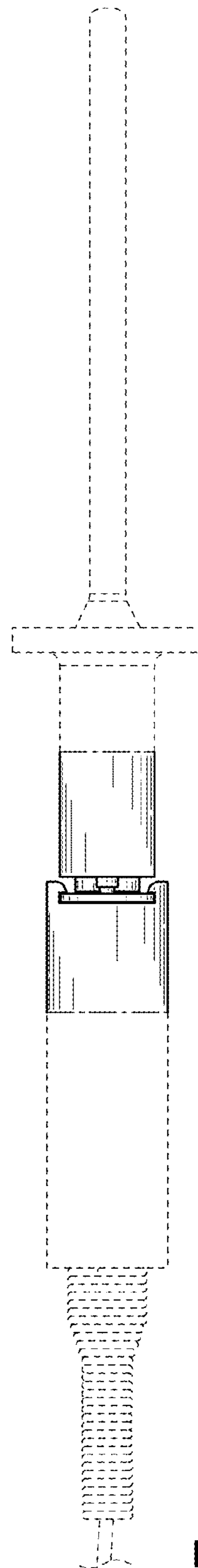


FIG. 21

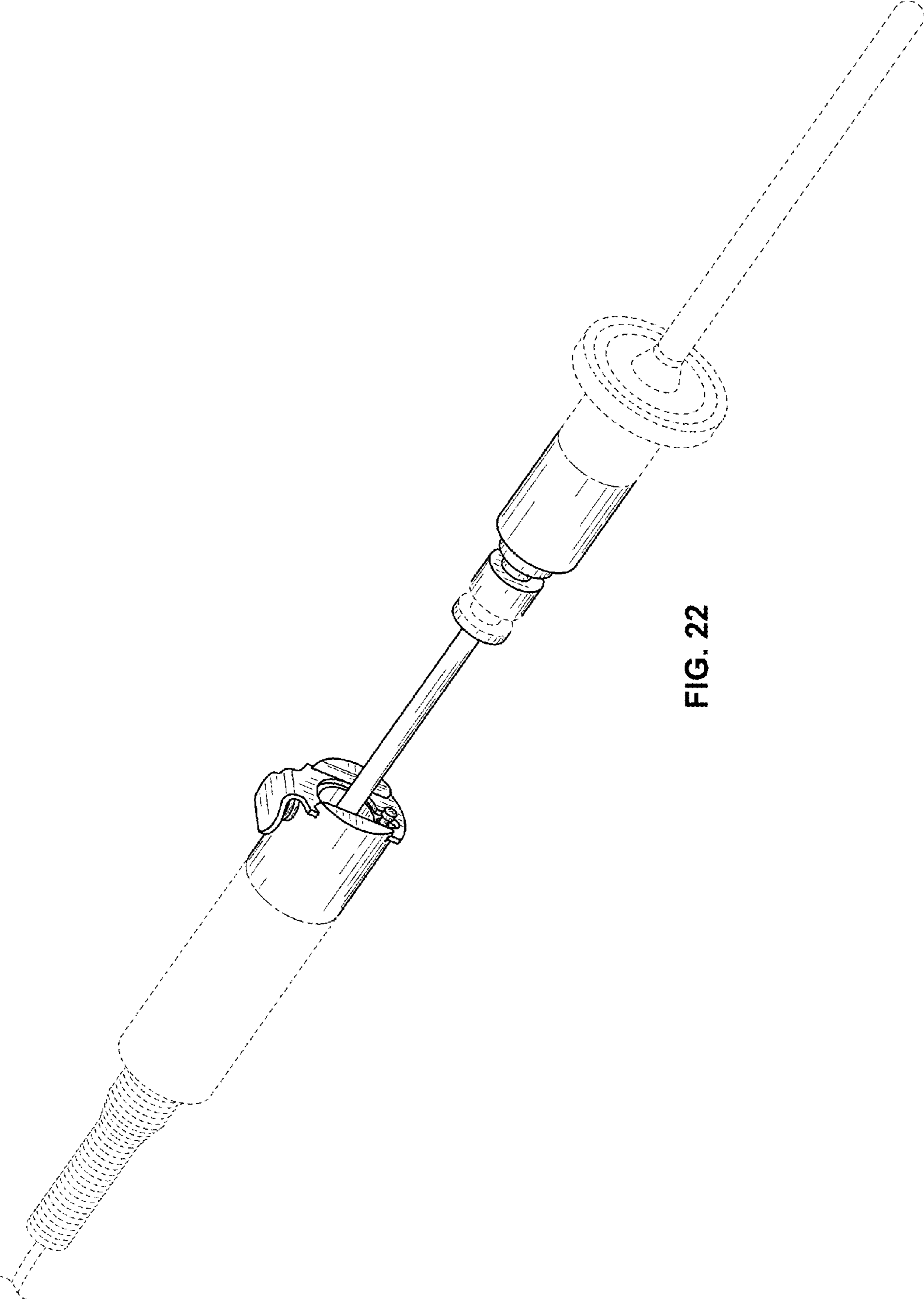


FIG. 22

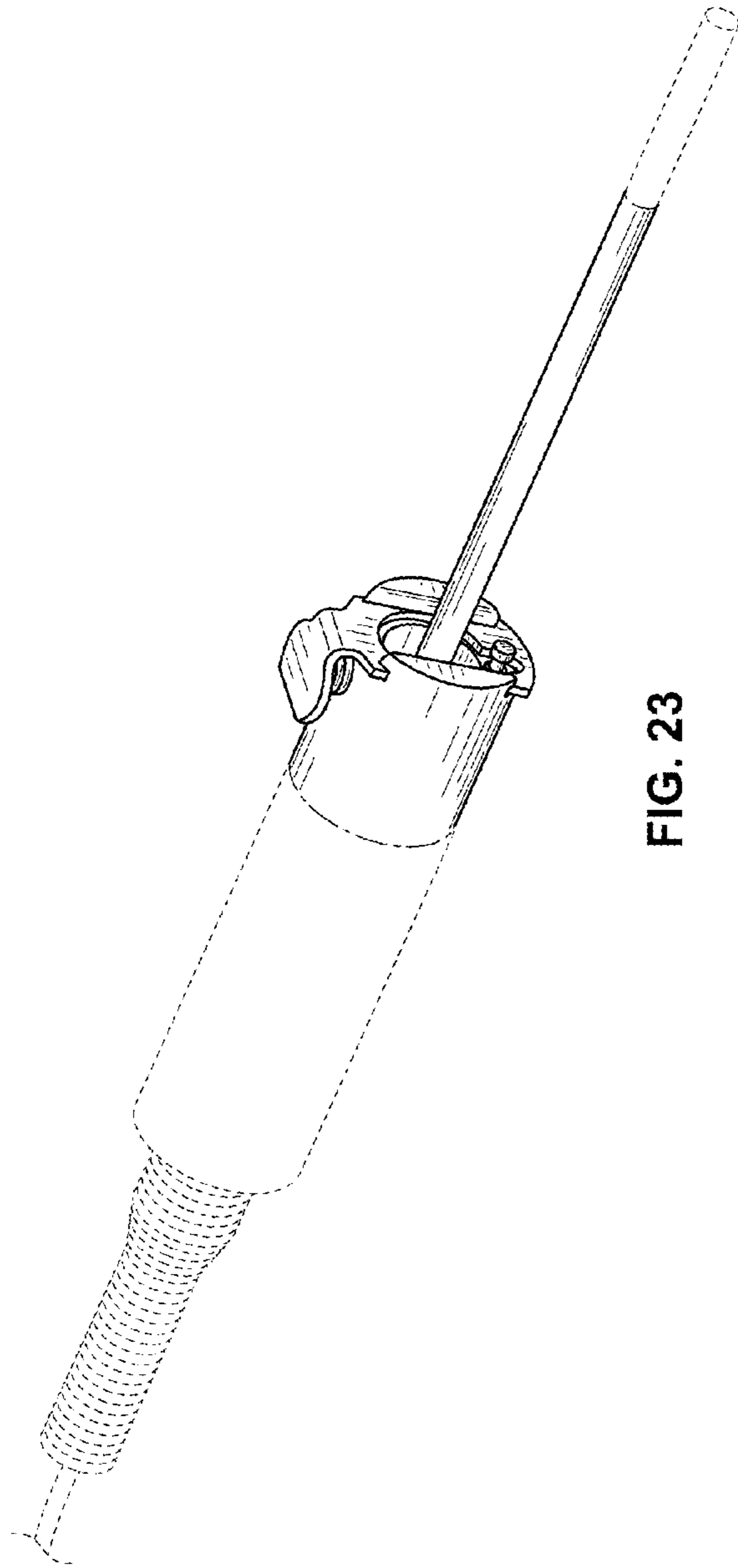


FIG. 23

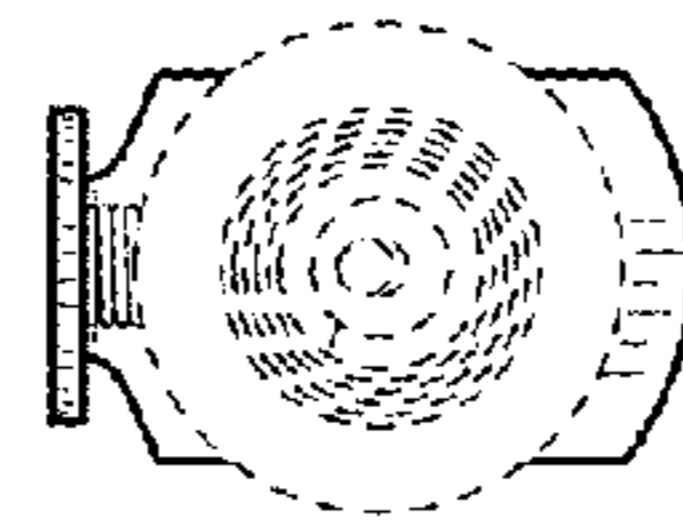


FIG. 25

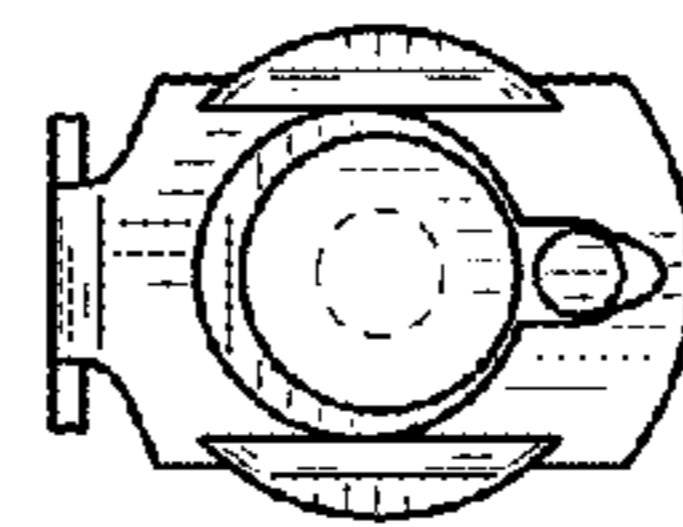


FIG. 24

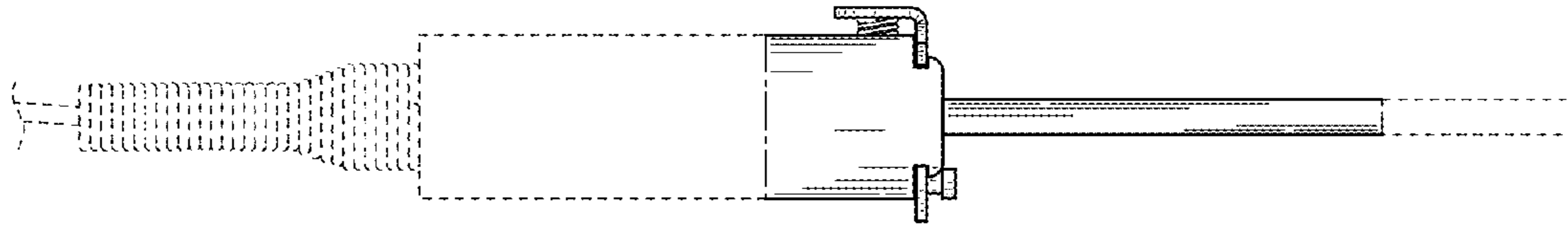


FIG. 26

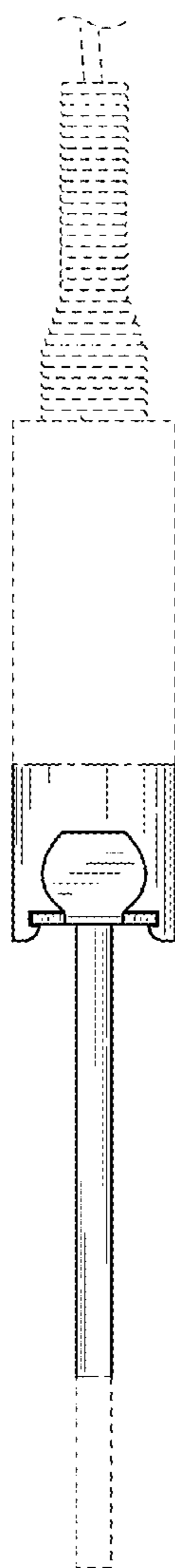


FIG. 27

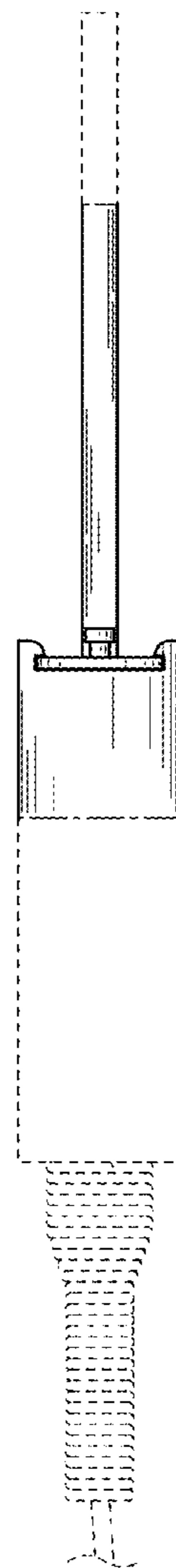


FIG. 28

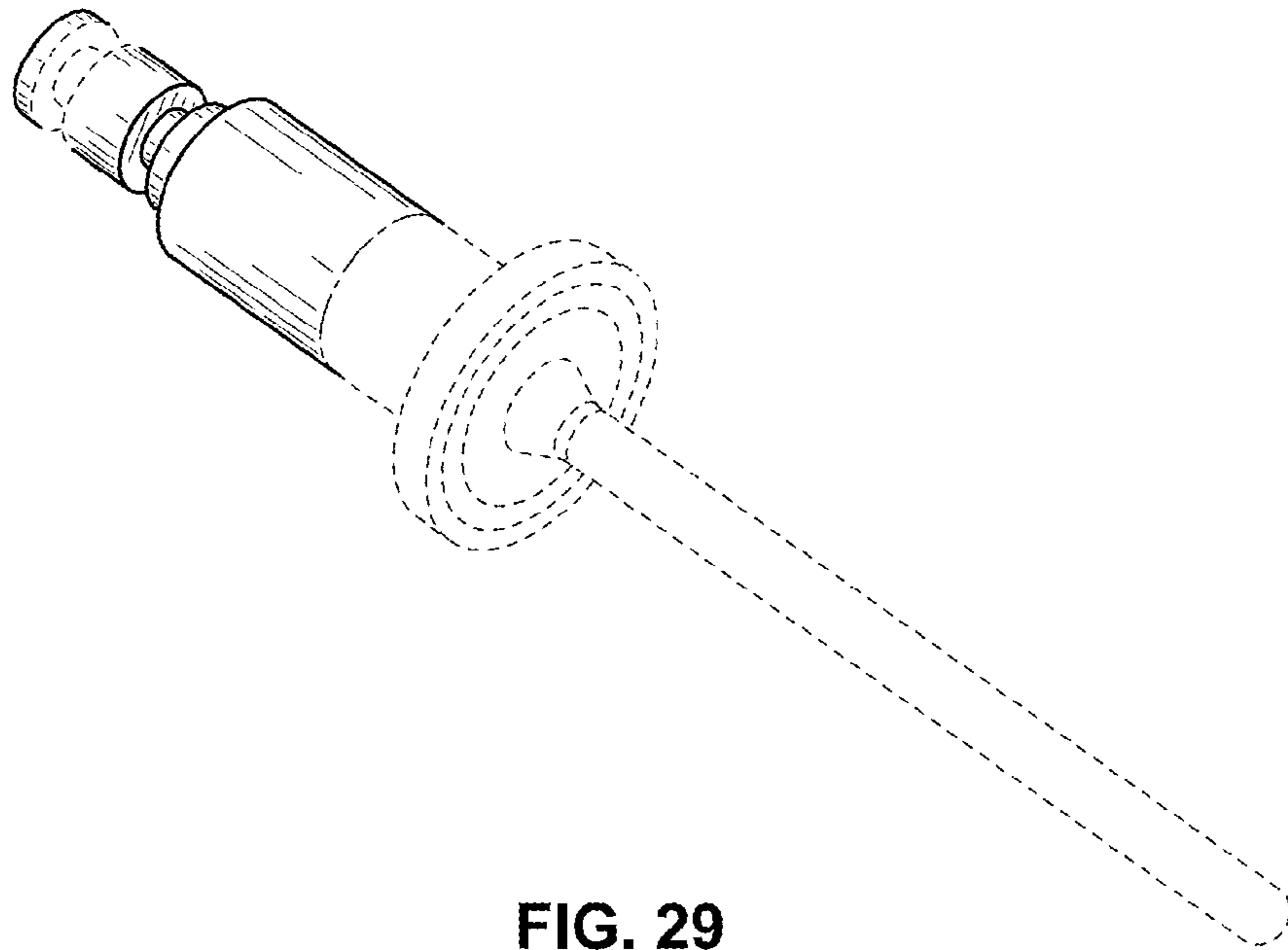


FIG. 29

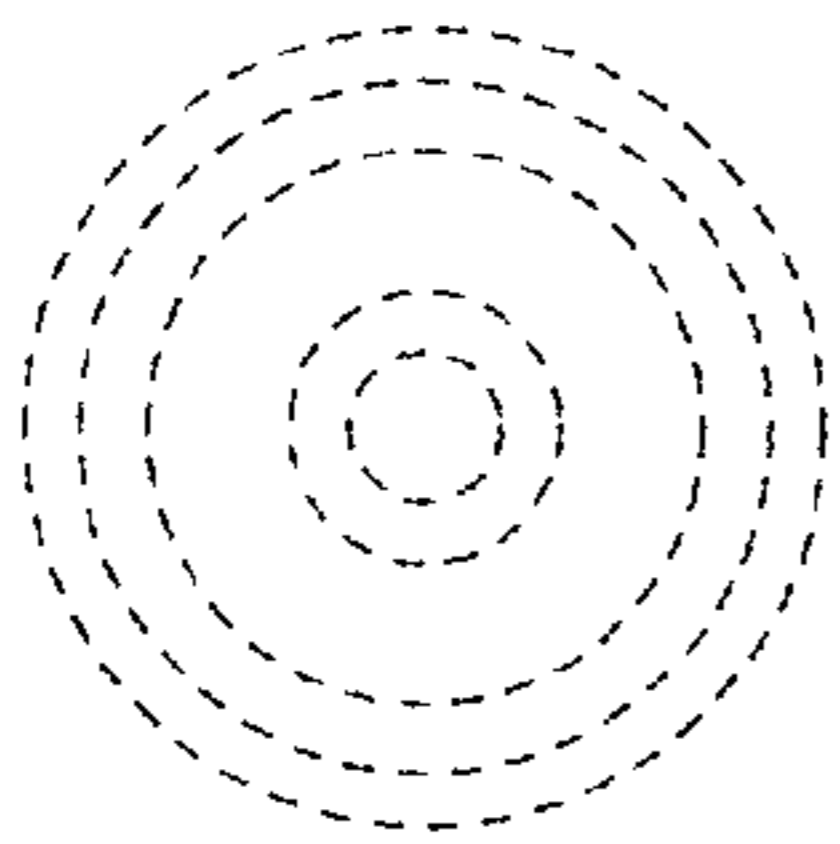


FIG. 30

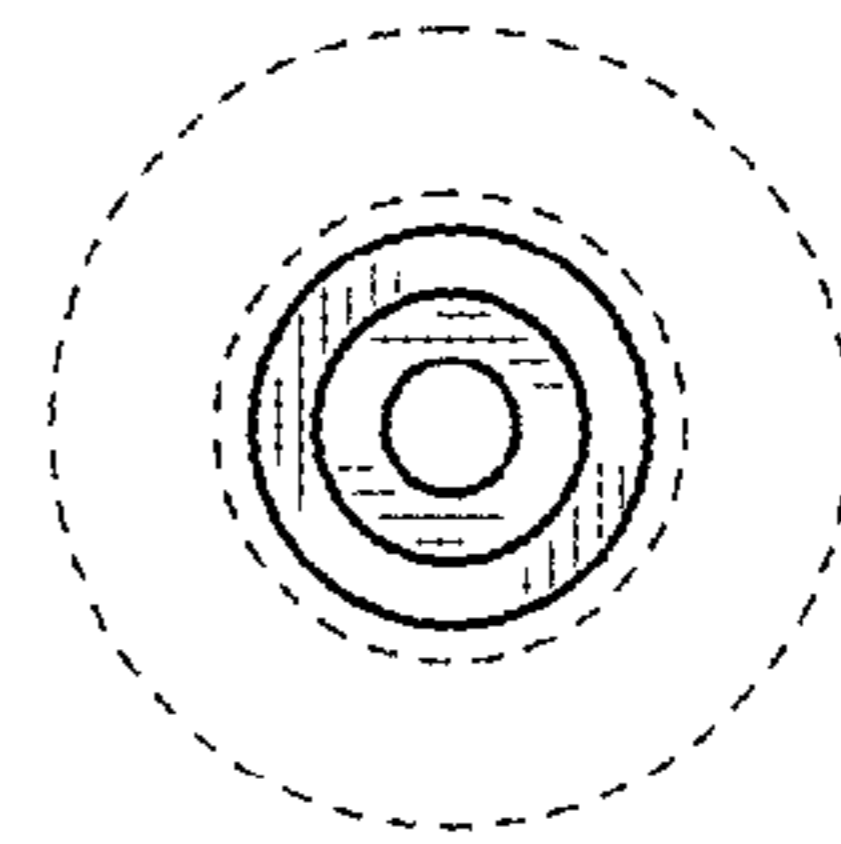


FIG. 31

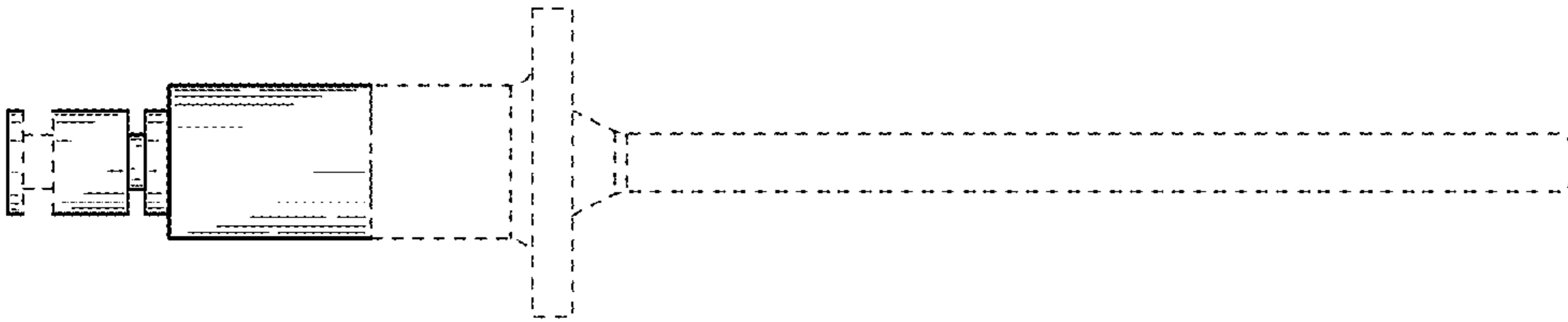


FIG. 32

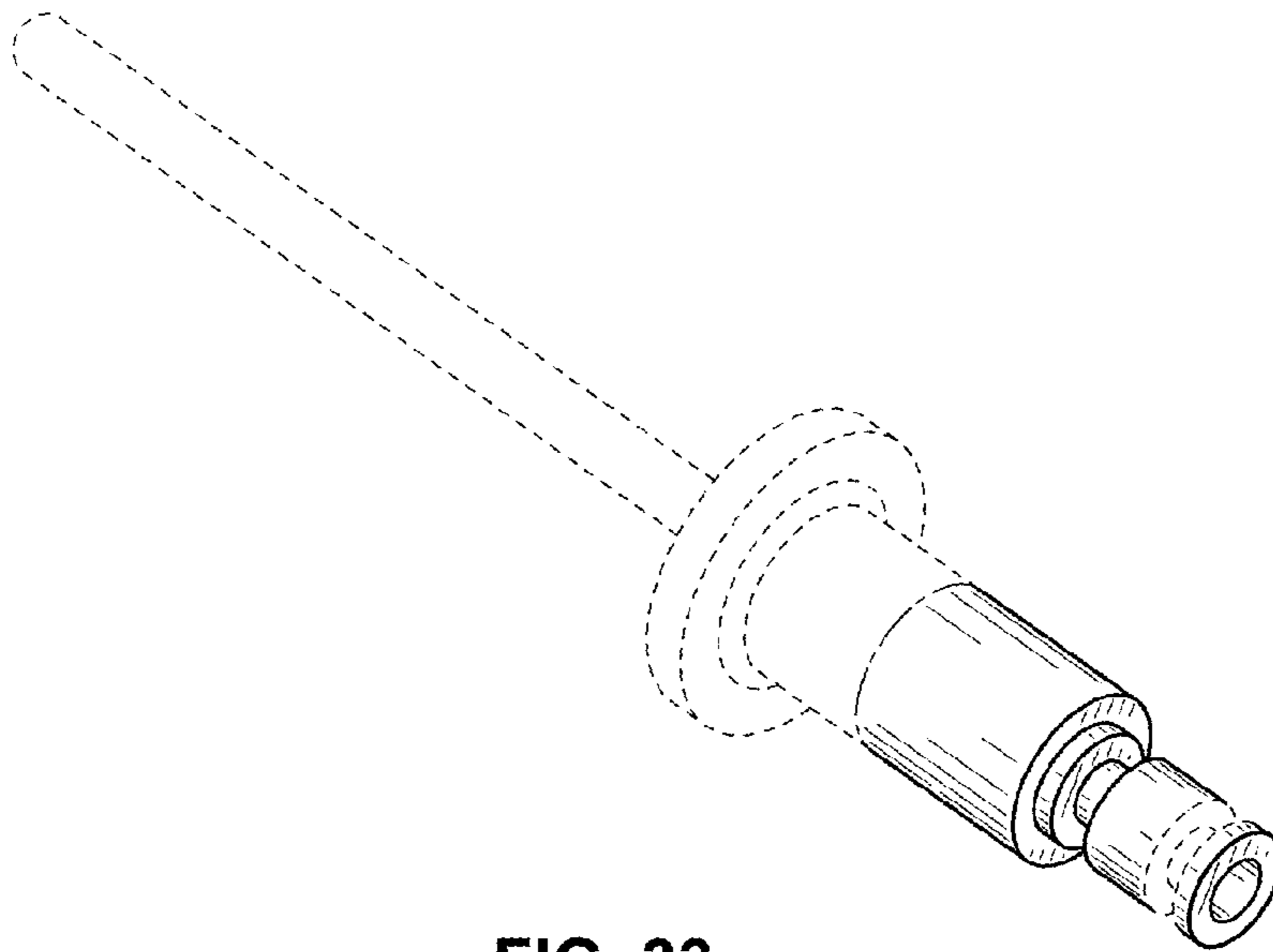


FIG. 33