



US00D769136S

(12) **United States Design Patent**
Bergmann

(10) **Patent No.:** **US D769,136 S**
(45) **Date of Patent:** **** Oct. 18, 2016**

(54) **MEASURING SPOON**

(71) Applicant: **Andrew Bergmann**, Tarrytown, NY
(US)

(72) Inventor: **Andrew Bergmann**, Tarrytown, NY
(US)

(**) Term: **14 Years**

(21) Appl. No.: **29/515,614**

(22) Filed: **Jan. 24, 2015**

(51) **LOC (10) Cl.** **10-04**

(52) **U.S. Cl.**
USPC **D10/46.3**

(58) **Field of Classification Search**
USPC D10/46.2, 46, 46.3, 96, 101, 103;
D7/300, 300.2, 301, 302, 642, 653,
D7/654, 658, 659, 660, 661, 662, 663, 664,
D7/682, 688, 669, 689, 690, 691, 692, 393
CPC G01F 19/00; G01F 19/002; G01F 19/005;
G01F 19/007; G01F 17/00; G01F 22/00;
G01F 22/02; A47J 43/288; A47J 43/105;
A47J 43/10; A47J 43/00; A47J 43/27;
B01F 13/002; B01F 15/00506; B26B 11/00;
B65D 77/245; B65D 21/00; A47G 19/00;
A47G 21/00

See application file for complete search history.

2,259,504 A * 10/1941 Wilson G01F 19/002
30/326

D156,814 S * 1/1950 Chester D10/46.3

D156,850 S * 1/1950 Shirley 30/324

2,654,252 A * 10/1953 Davis A47G 21/04
30/324

2,683,374 A * 7/1954 Finley A47G 21/04
30/324

D214,439 S * 6/1969 Wormser D10/46.2

D302,089 S * 7/1989 Ancona D10/46.2

D303,056 S * 8/1989 Prindle D10/46.2

D342,455 S * 12/1993 Lown D10/46.3

D438,125 S * 2/2001 Kaposi D10/46.2

D480,318 S * 10/2003 Settele D10/46.3

D484,425 S * 12/2003 Settele D10/46.3

D494,877 S * 8/2004 Kempe D10/46.3

D531,918 S * 11/2006 Heiligenstein D10/46.2

D594,353 S * 6/2009 Kortleven D10/46.3

D648,848 S * 11/2011 Evans D10/46.3

D730,752 S * 6/2015 Clark D10/46.3

D742,765 S * 11/2015 Hauser D10/46.3

2012/0000286 A1 * 1/2012 Binns G01F 19/002
73/426

2015/0338259 A1 * 11/2015 Robbins G01F 19/00
73/426

* cited by examiner

Primary Examiner — Ian Simmons
Assistant Examiner — Shannon Morgan

(57) **CLAIM**

The ornamental design for a measuring spoon, as shown and described.

DESCRIPTION

FIG. 1 is a front, top perspective view of a measuring spoon showing my new design;

FIG. 2 is a top plan view thereof;

FIG. 3 is a left side elevational view thereof;

FIG. 4 is a front elevational view thereof; and,

FIG. 5 is a right side elevational view thereof.

The broken lines shown in FIGS. 1 and 2 represent portions of the measuring spoon that form no part of the claimed design.

1 Claim, 2 Drawing Sheets

(56) **References Cited**
U.S. PATENT DOCUMENTS

265,390 A * 10/1882 Cosby G01F 19/00
30/324

315,768 A * 4/1885 Goodwin G01F 19/002
73/426

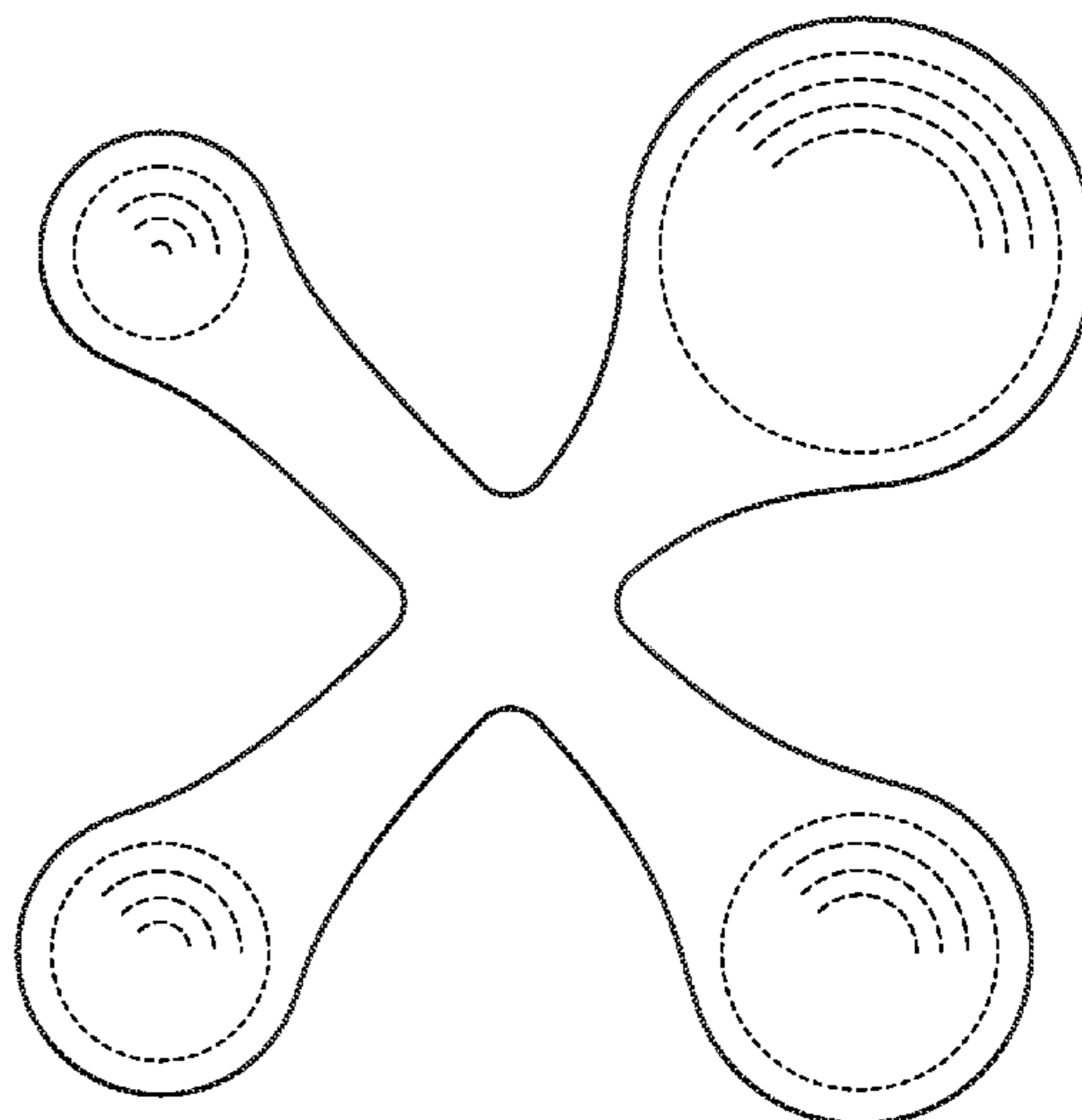
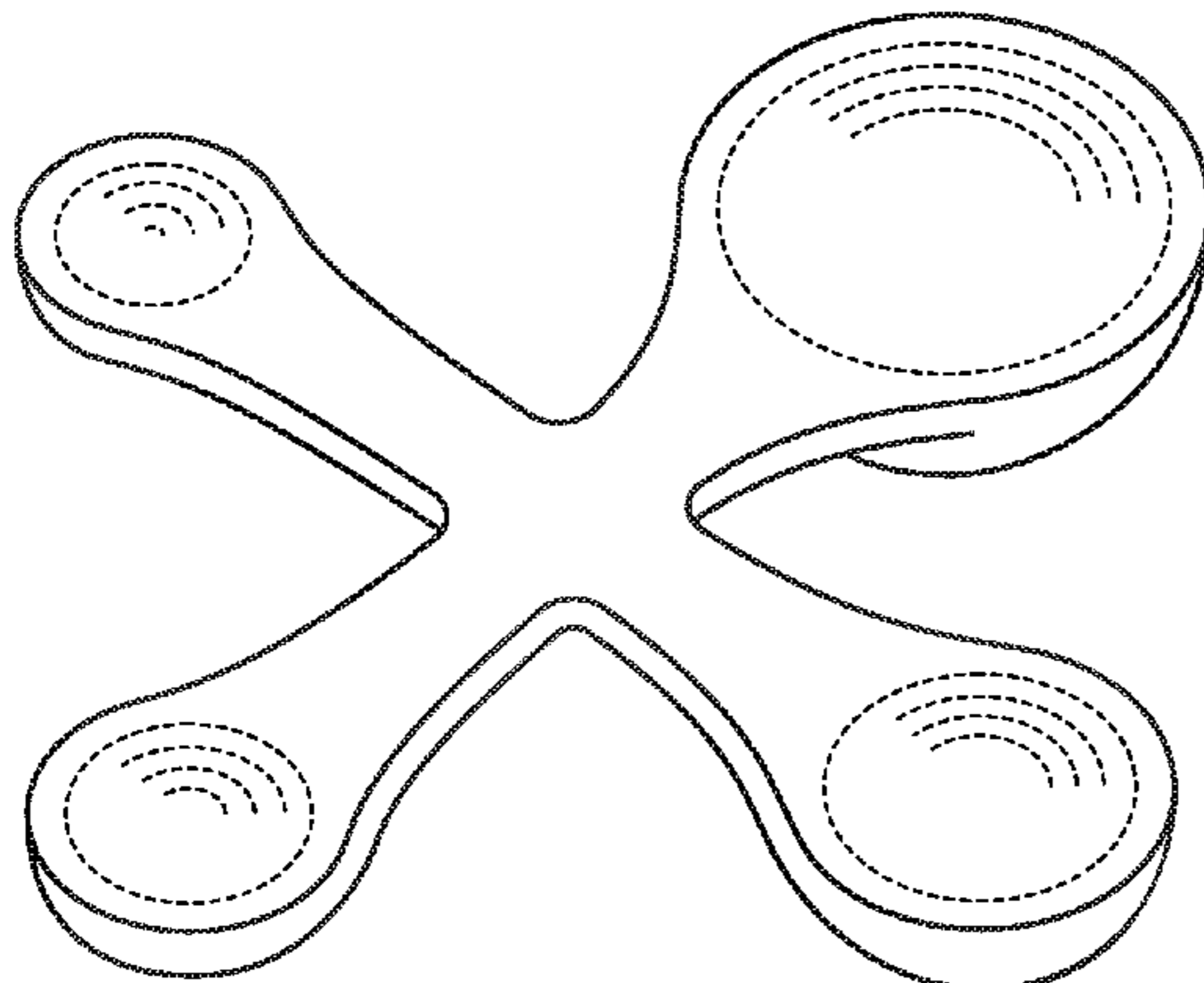
D49,817 S * 10/1916 Forster D10/46.3

D92,118 S * 4/1934 Stuart 30/324

2,034,733 A * 3/1936 Wilkins G01N 1/08
30/324

D115,831 S * 7/1939 Kaempf D10/46.2

D127,611 S * 6/1941 Hadfield 30/324



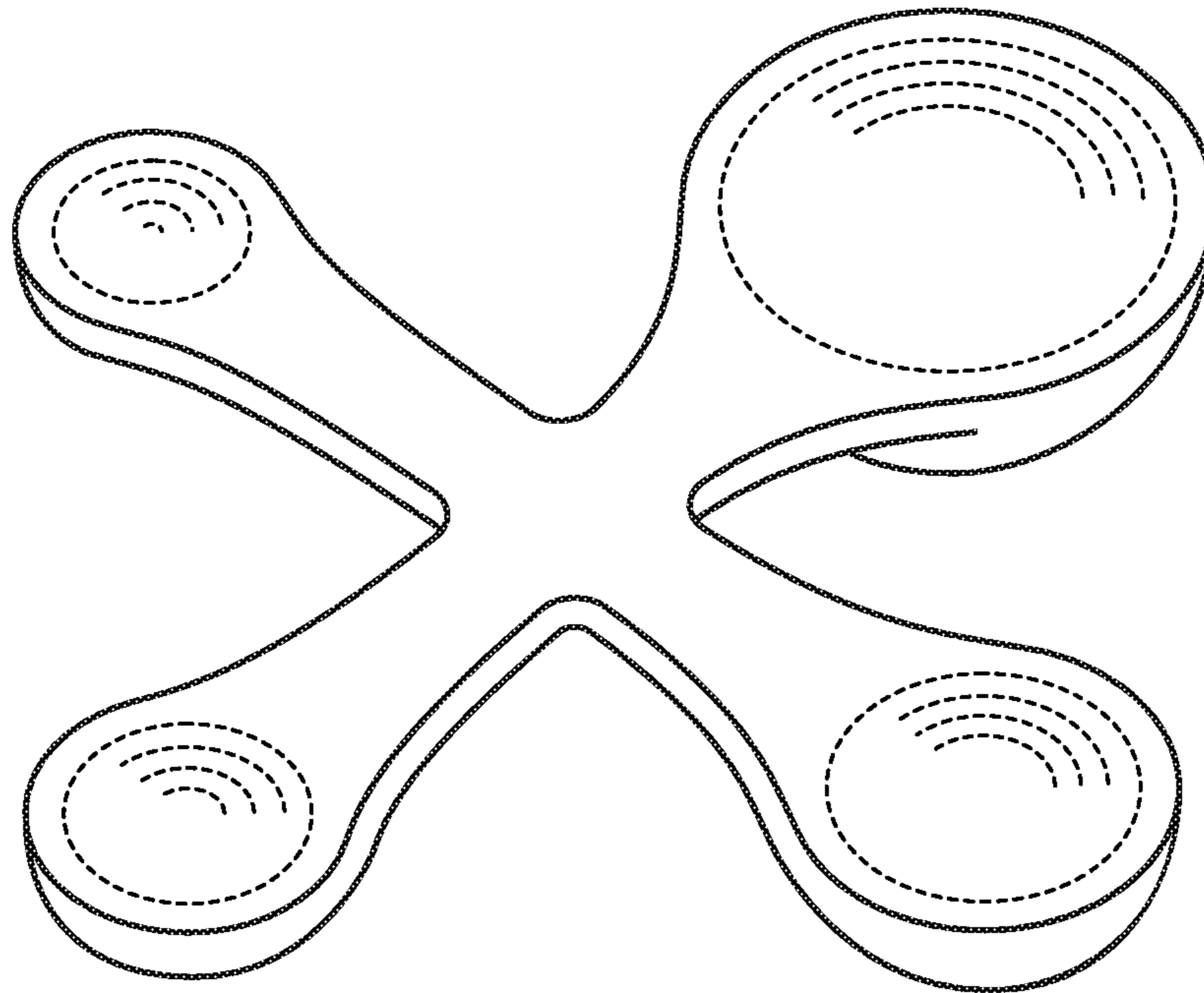


FIG.1

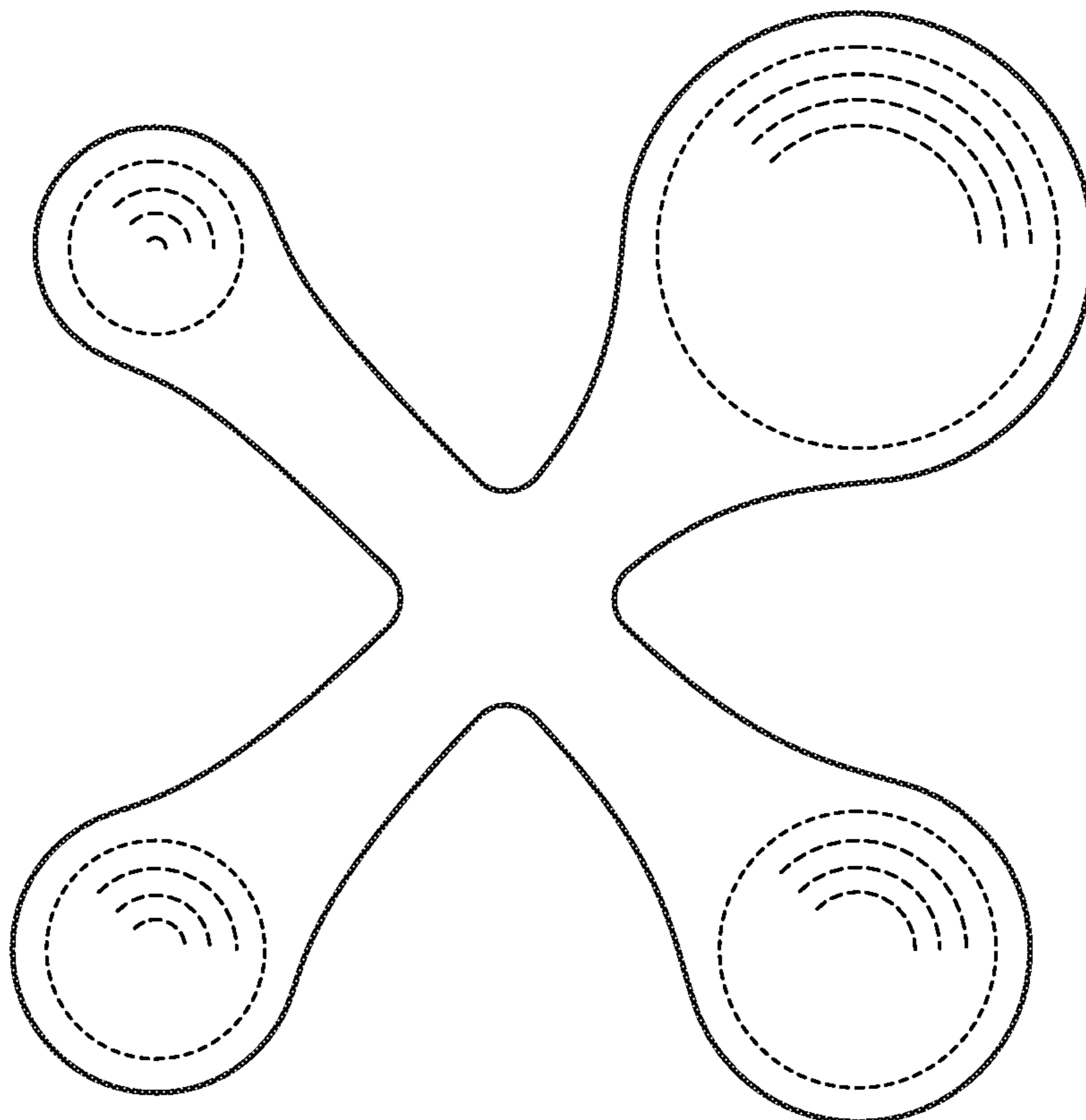


FIG.2

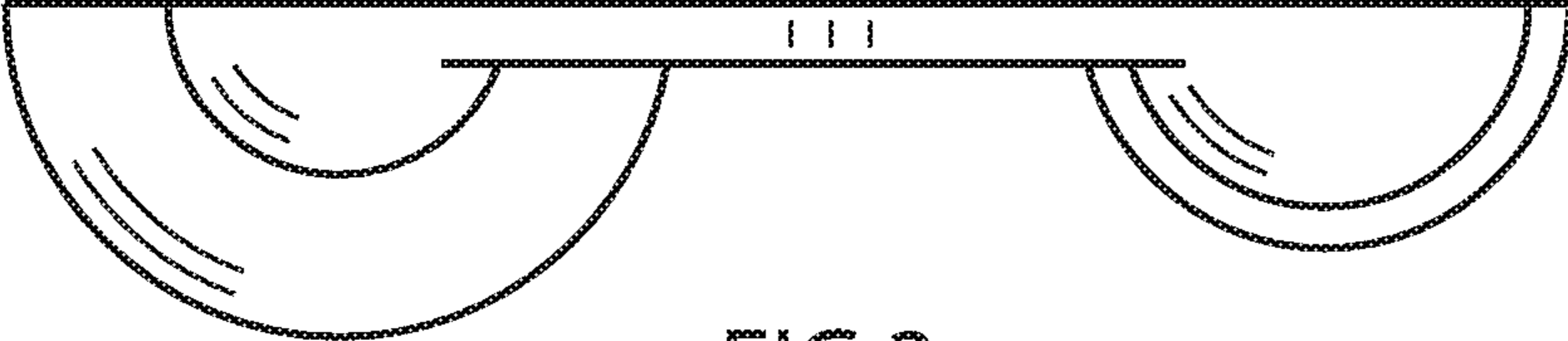


FIG.3

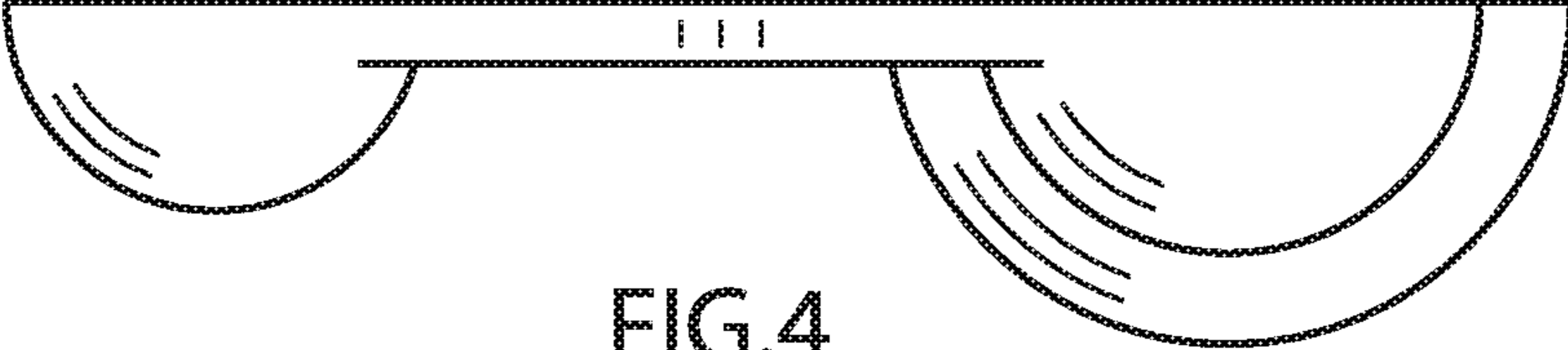


FIG.4

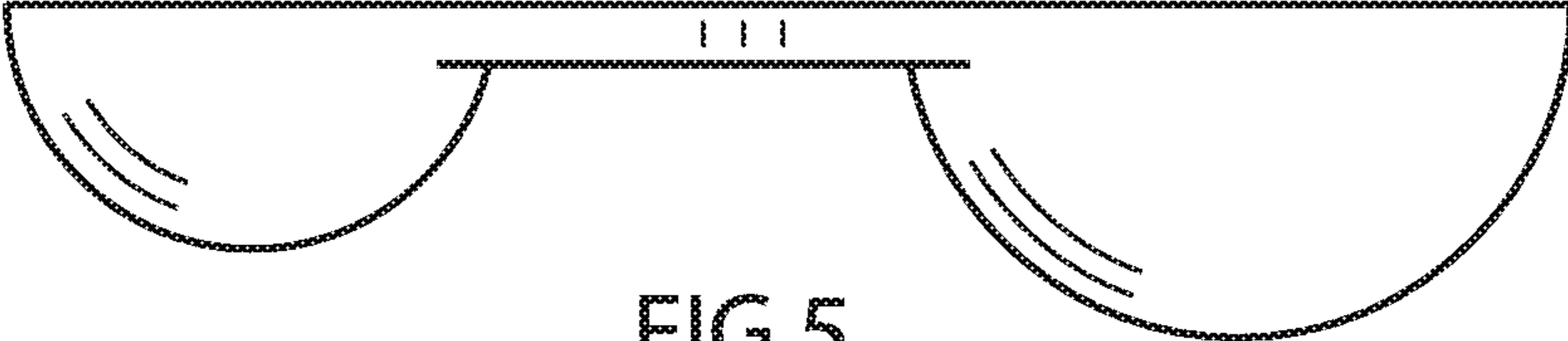


FIG.5