



US00D769135S

(12) **United States Design Patent** (10) **Patent No.:** **US D769,135 S**
Chen (45) **Date of Patent:** **** Oct. 18, 2016**

(54) **WATCH**
(71) Applicant: **Dillon Chen**, Dallas, TX (US)
(72) Inventor: **Dillon Chen**, Dallas, TX (US)
(73) Assignee: **PAJ, INC.**, Dallas, TX (US)
(**) Term: **14 Years**
(21) Appl. No.: **29/498,855**
(22) Filed: **Aug. 8, 2014**
(51) **LOC (10) Cl.** **10-02**
(52) **U.S. Cl.**
USPC **D10/39**
(58) **Field of Classification Search**
USPC D10/30-39, 1-29, 122-132
CPC G04B 19/00; G04B 19/04; G04B 19/06;
G04B 19/065; G04B 19/08; G04B 19/10;
G04B 19/18; G04B 19/223; G04B 37/00;
G04B 37/0008; G04B 37/0058; G04B 45/00;
G04B 45/0069; G04B 45/0076; G04B 47/04;
G04B 47/042
See application file for complete search history.

712,729 A * 11/1902 Schumacher G04B 19/223
368/27
D76,445 S * 9/1928 Yuen D10/1
2,179,294 A * 11/1939 Heit G04B 47/042
368/285
D170,179 S * 8/1953 Wyler D10/39
D218,342 S * 8/1970 Rice, Jr. 368/14
D345,319 S * 3/1994 Kaneko D10/126
D345,321 S * 3/1994 Kaneko D10/126
D462,391 S * 9/2002 Allen D10/128
D526,217 S * 8/2006 Kawashima D10/39
D687,724 S * 8/2013 Jamin D10/39
D705,674 S * 5/2014 Lasserre D10/39

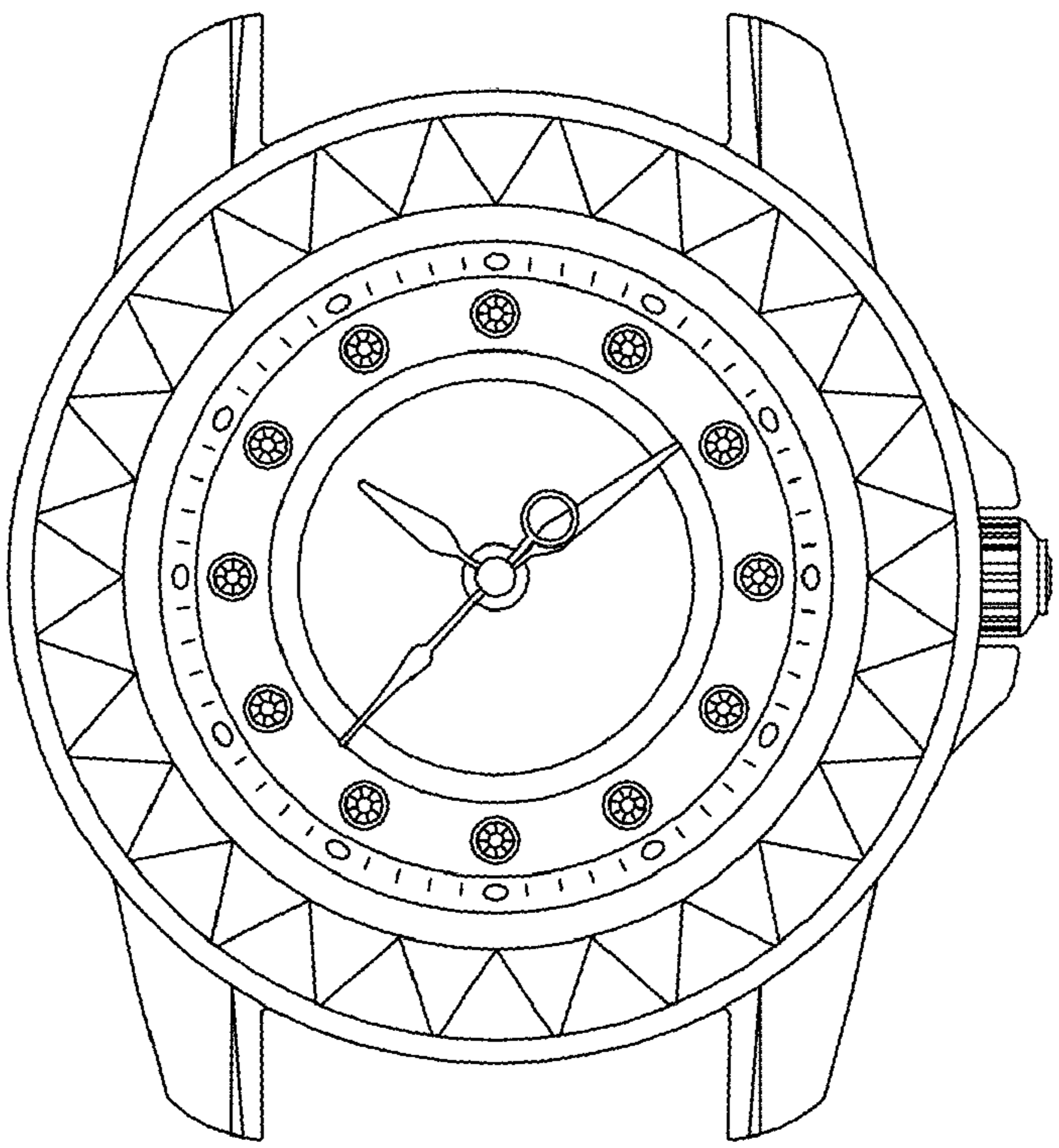
* cited by examiner
Primary Examiner — Sandra Snapp
(74) *Attorney, Agent, or Firm* — Ostrolenk Faber LLP

(57) **CLAIM**
The ornamental design for a watch, as shown and described.

DESCRIPTION
FIG. 1 is a front elevational view of a watch showing my new design;
FIG. 2 is a rear elevational view thereof;
FIG. 3 is a left side elevational view thereof;
FIG. 4 is a right side elevational view thereof;
FIG. 5 is a top plan view thereof; and,
FIG. 6 is a bottom plan view thereof.

(56) **References Cited**
U.S. PATENT DOCUMENTS
D16,045 S * 4/1885 Kling D10/1
D34,261 S * 3/1901 Fitch D10/1

1 Claim, 4 Drawing Sheets



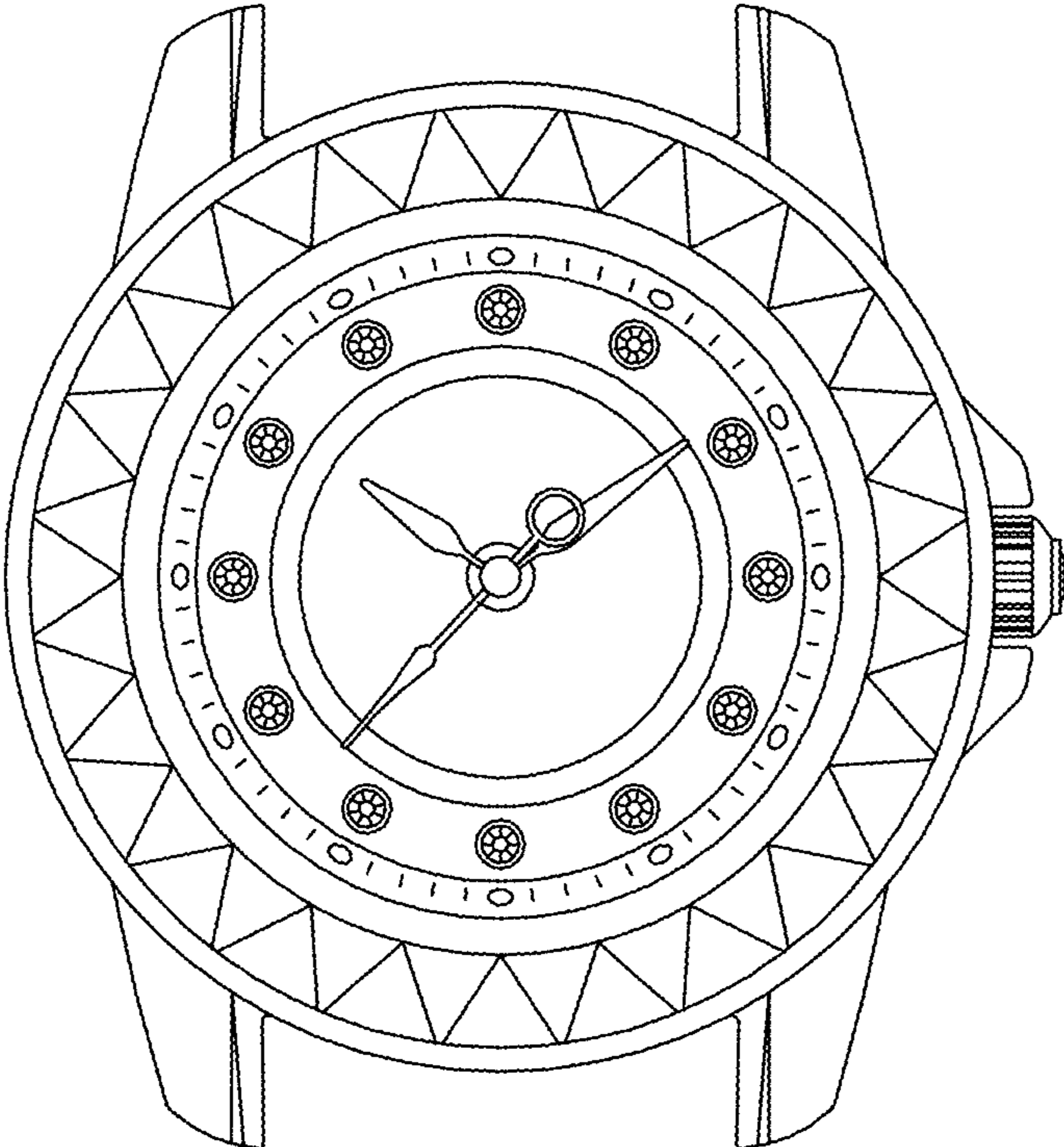


FIG. 1

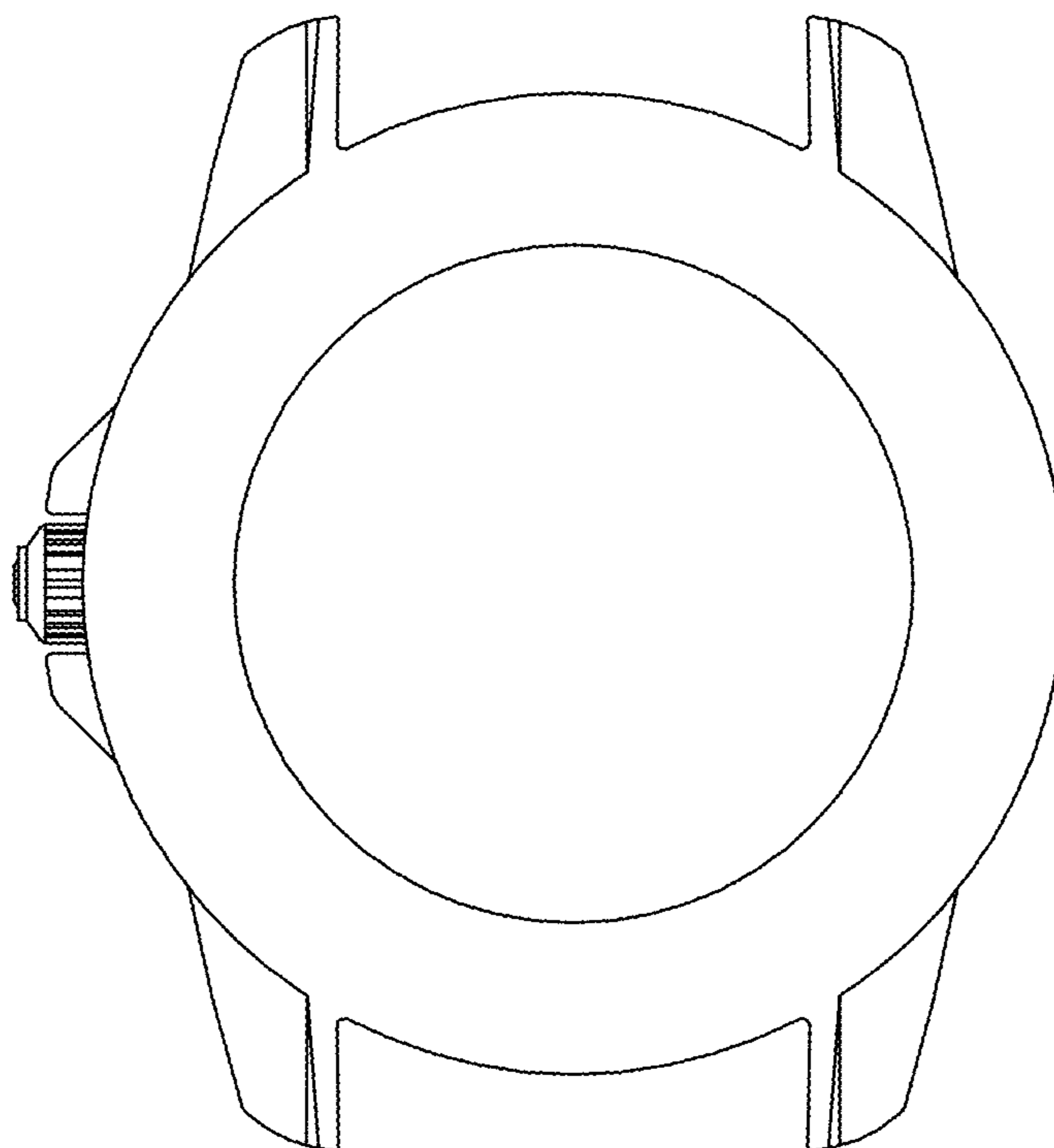


FIG. 2

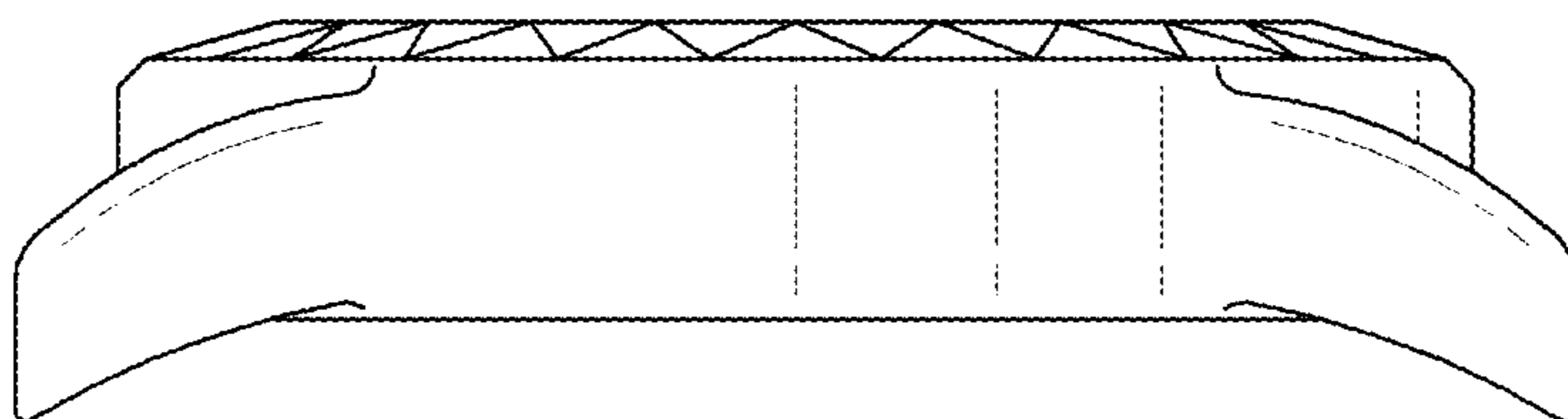


FIG. 3

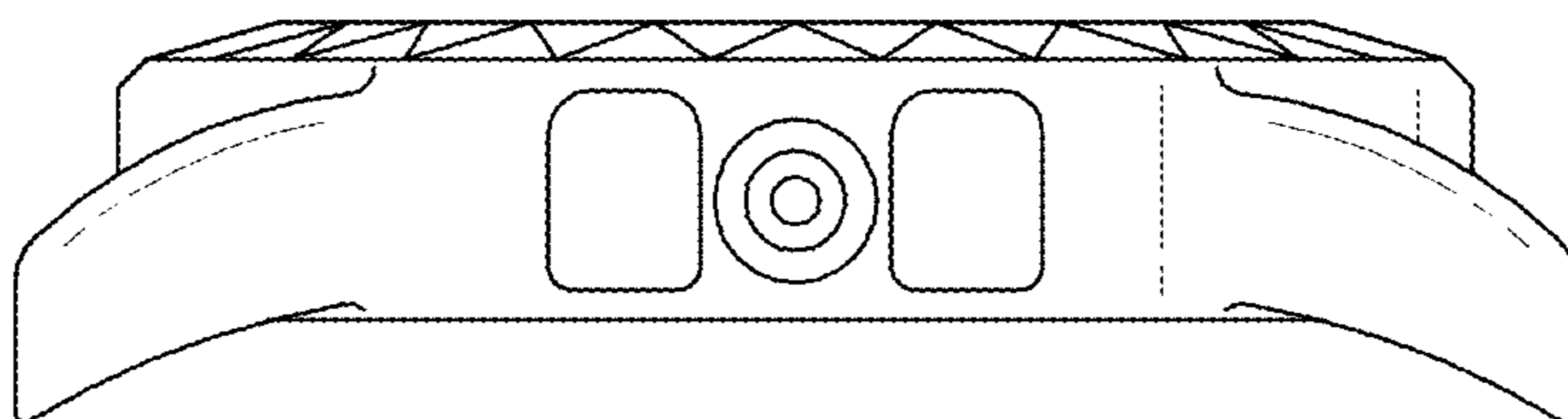


FIG. 4

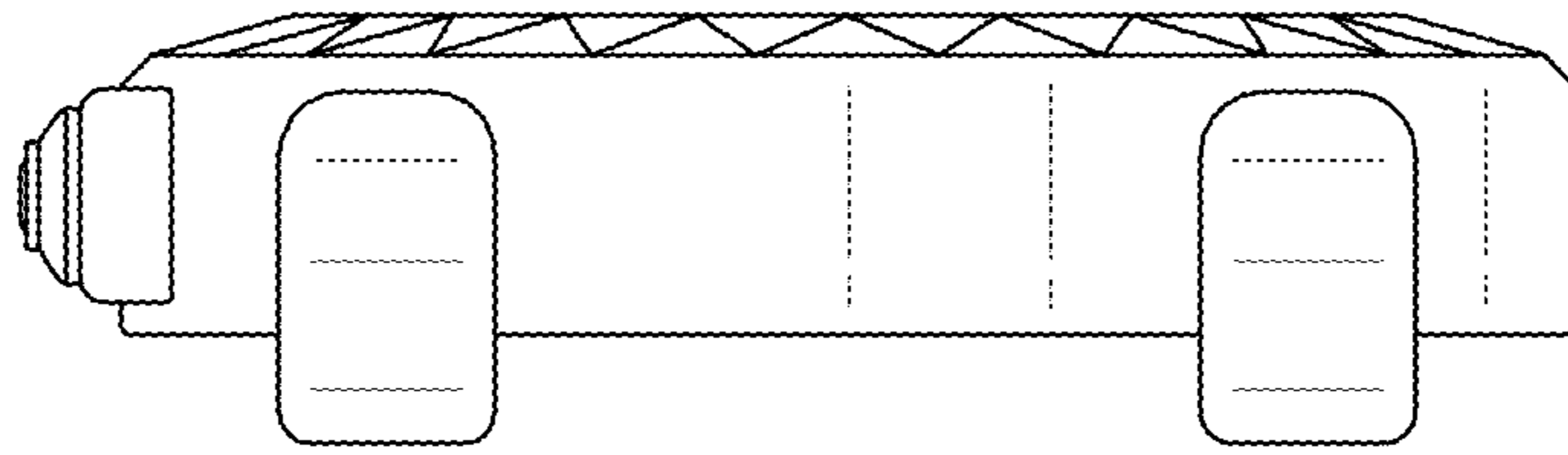


FIG. 5

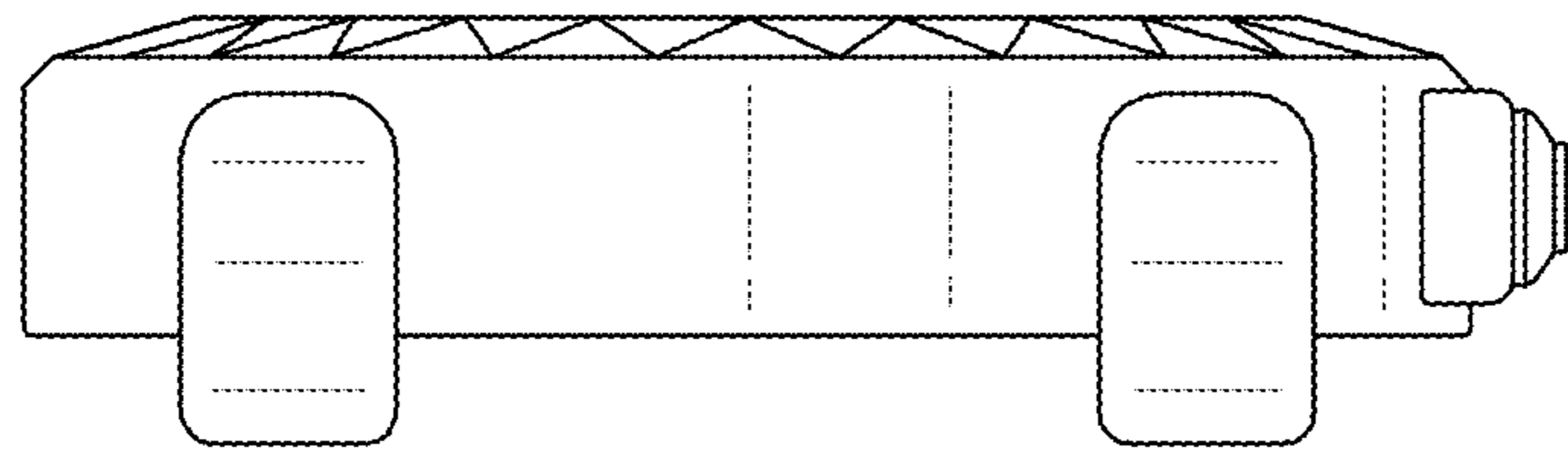


FIG. 6